



US00D514077S

(12) **United States Design Patent**
Haase et al.

(10) **Patent No.: US D514,077 S**
(45) **Date of Patent: ** Jan. 31, 2006**

(54) **CONTROL HEAD FOR A MOBILE RADIO**

(75) Inventors: **Andreas R. Haase**, Plantation, FL (US); **Yesenia V. Escorcía**, Plantation, FL (US); **Anthony M. Kakiel**, Coral Springs, FL (US)

(73) Assignee: **Motorola, Inc.**, Schaumburg, IL (US)

(**) Term: **14 Years**

(21) Appl. No.: **29/201,282**

(22) Filed: **Mar. 12, 2004**

(51) **LOC (8) Cl. 14-03**

(52) **U.S. Cl. D14/137; D14/257; D14/258**

(58) **Field of Classification Search** D14/137, D14/157, 257, 258, 188, 240, 441, 443; 361/814; 455/347-349, 351, 90.2

See application file for complete search history.

(56) **References Cited**

U.S. PATENT DOCUMENTS

D279,000 S	*	5/1985	Sarges	D14/157
D307,906 S	*	5/1990	Beaumont	D14/157
D311,920 S	*	11/1990	Fuller et al.	D14/257
D330,204 S	*	10/1992	Tokiyama	D14/258
D348,674 S	*	7/1994	Lindeman et al.	D14/141.3
D351,167 S	*	10/1994	Yun	D14/156
5,444,868 A	*	8/1995	Reynolds et al.	455/90.3
D364,876 S	*	12/1995	Tokiyama	D14/258
D364,877 S	*	12/1995	Tokiyama et al.	D14/258
D365,568 S	*	12/1995	Tokiyama	D14/258
D381,659 S	*	7/1997	Tokiyama et al.	D14/194
D386,767 S	*	11/1997	Tokiyama et al.	D14/258
D388,438 S	*	12/1997	Tokiyama et al.	D14/258
D389,841 S	*	1/1998	Tokiyama et al.	D14/258
D391,255 S	*	2/1998	Lindeman	D14/157
D393,265 S	*	4/1998	Tokiyama et al.	D14/258
5,862,468 A	*	1/1999	Kim	455/321

D417,871 S	*	12/1999	Hisatsune	D14/188
D466,891 S	*	12/2002	Gustavsson et al.	D14/257
D473,855 S	*	4/2003	Escorcía et al.	D14/188
D482,014 S	*	11/2003	Hakoda et al.	D14/157
D483,344 S	*	12/2003	Escorcía et al.	D14/157
D486,135 S	*	2/2004	Hori et al.	D14/157
D487,073 S	*	2/2004	Hori et al.	D14/157
D497,158 S	*	10/2004	Pietras et al.	D14/257
2003/0193871 A1	*	10/2003	Tobishima et al.	369/75.1

FOREIGN PATENT DOCUMENTS

WO	DM/046955	*	1/1999
WO	DM/053922	*	1/2000

OTHER PUBLICATIONS

www.ntfc.ca/LandMobile.htm, NTF Land Mobile Radios p. 10 of 14, IC-F521/F621, site visited Mar. 20, 2005.*

* cited by examiner

Primary Examiner—Jeffrey Asch

(57) **CLAIM**

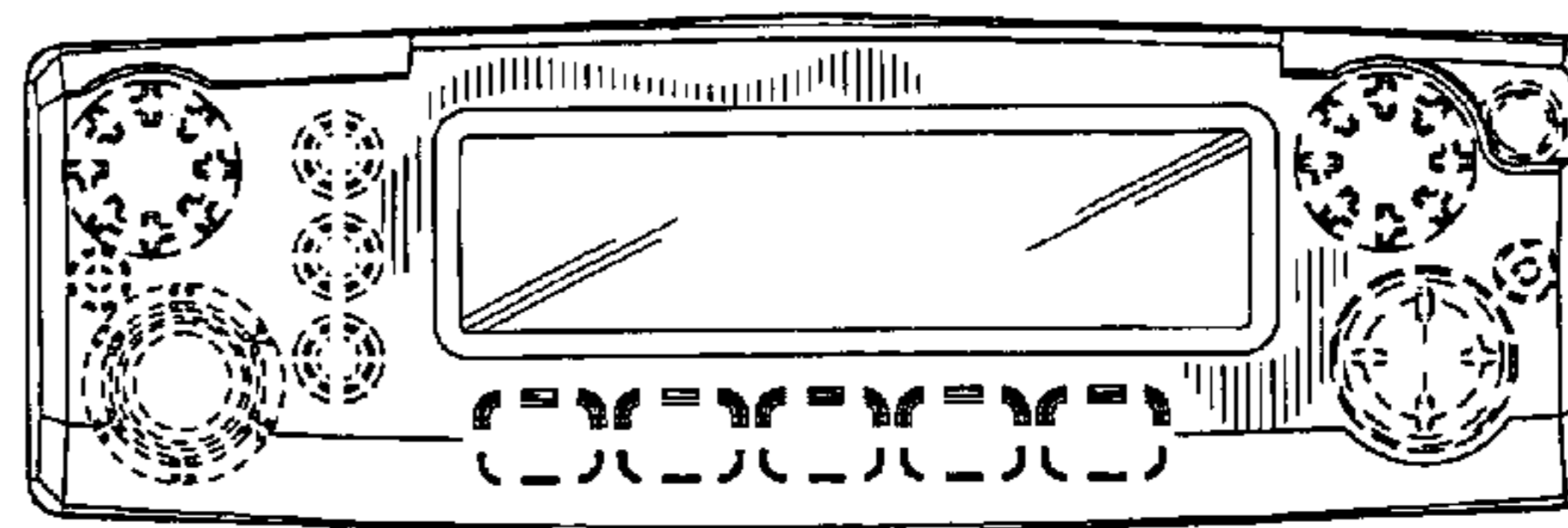
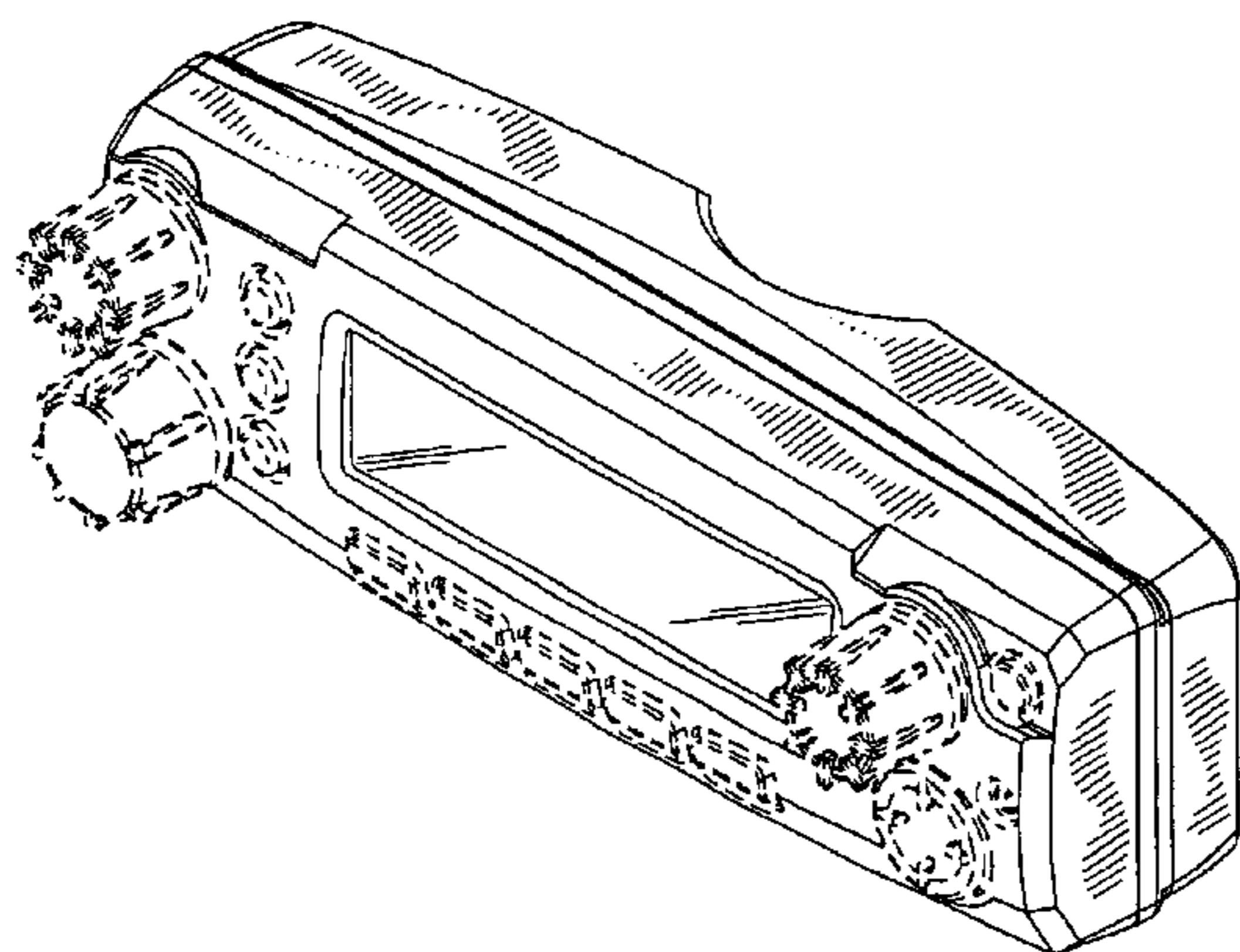
The ornamental design for a control head for a mobile radio, as shown and described.

DESCRIPTION

FIG. 1 is an isometric view of a control head for a mobile radio showing our new design; FIG. 2 is a front view thereof; FIG. 3 is a bottom view thereof; FIG. 4 is a top view thereof; FIG. 5 is a left view thereof; and, FIG. 6 is a right view thereof.

The broken lines shown in FIGS. 1-6 are included for the purpose of illustrating environmental elements only and form no part of the claimed design.

1 Claim, 3 Drawing Sheets



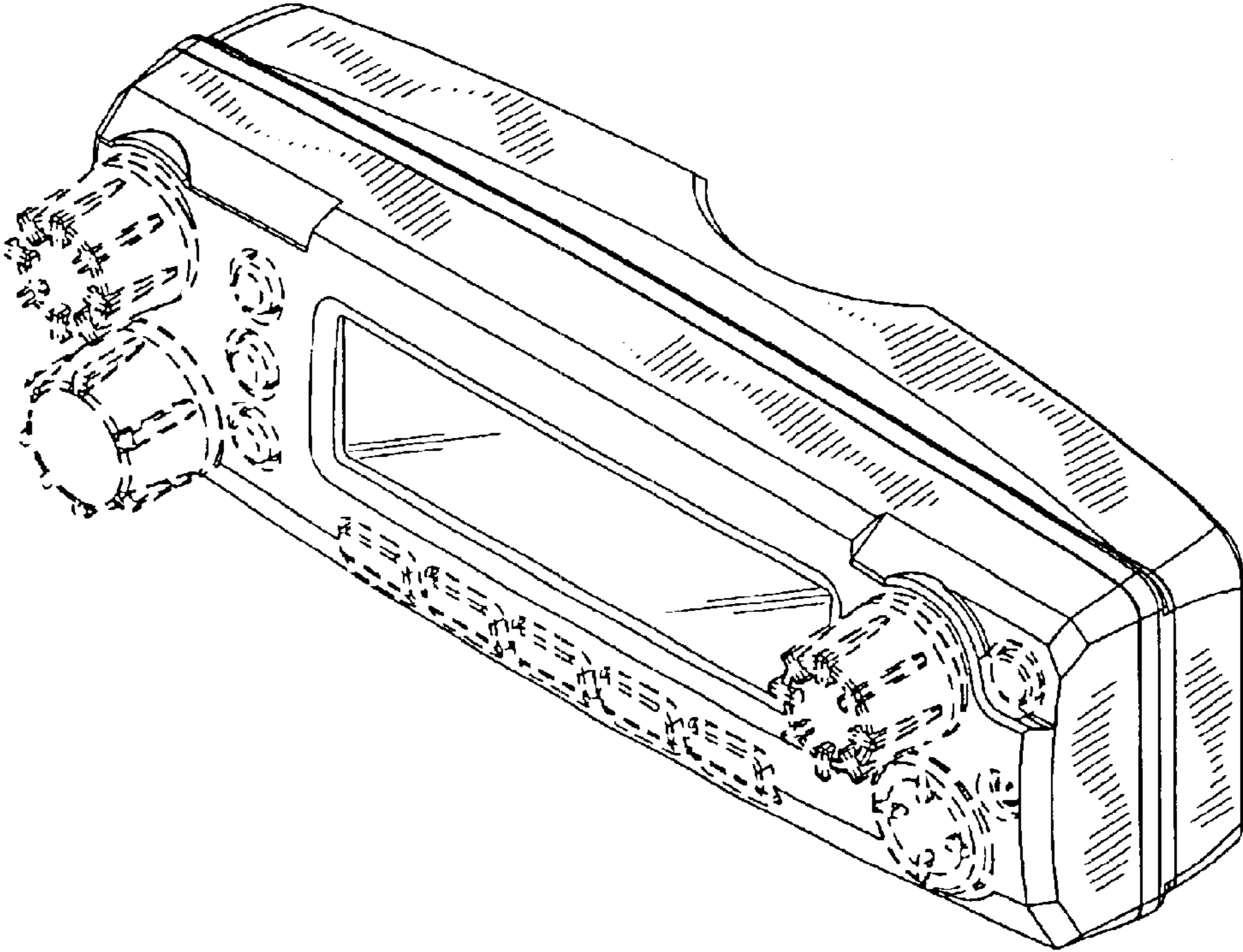


FIG. 1

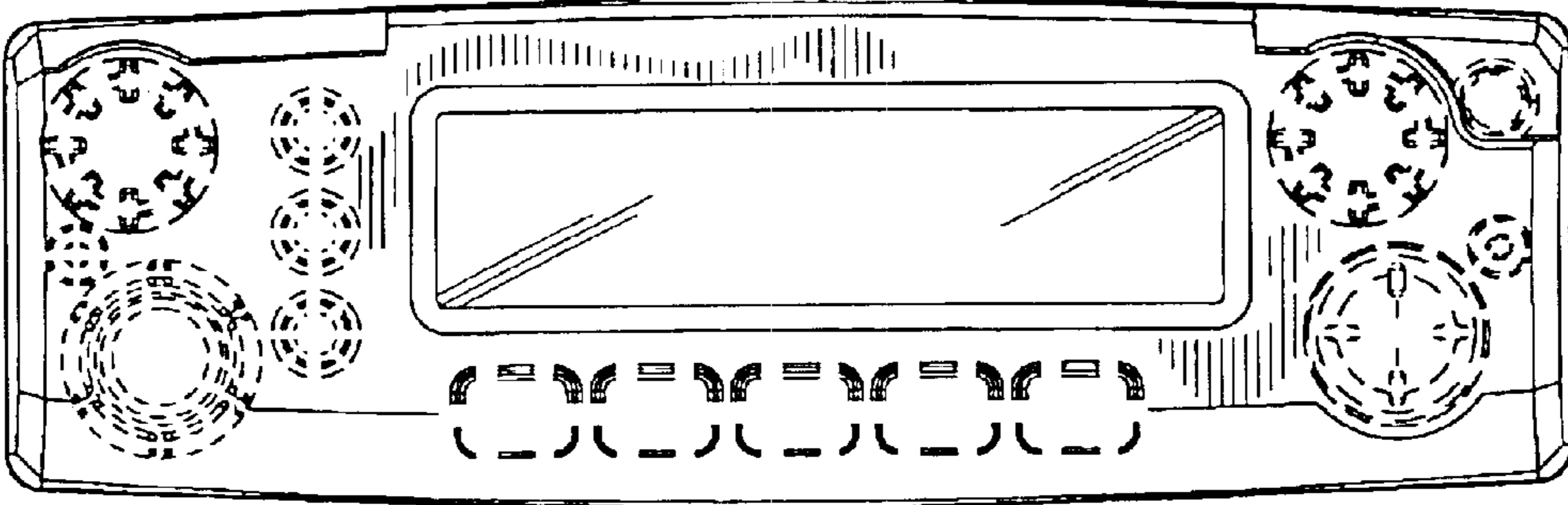


FIG. 2

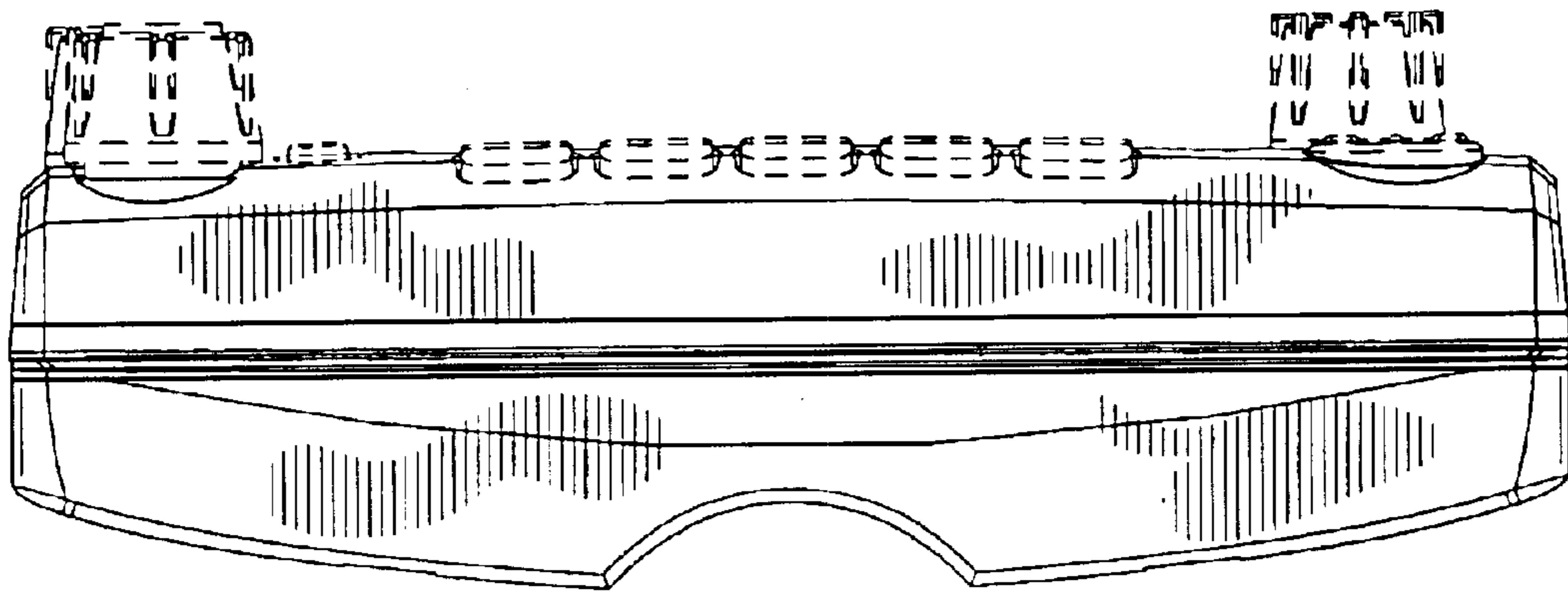


FIG. 3

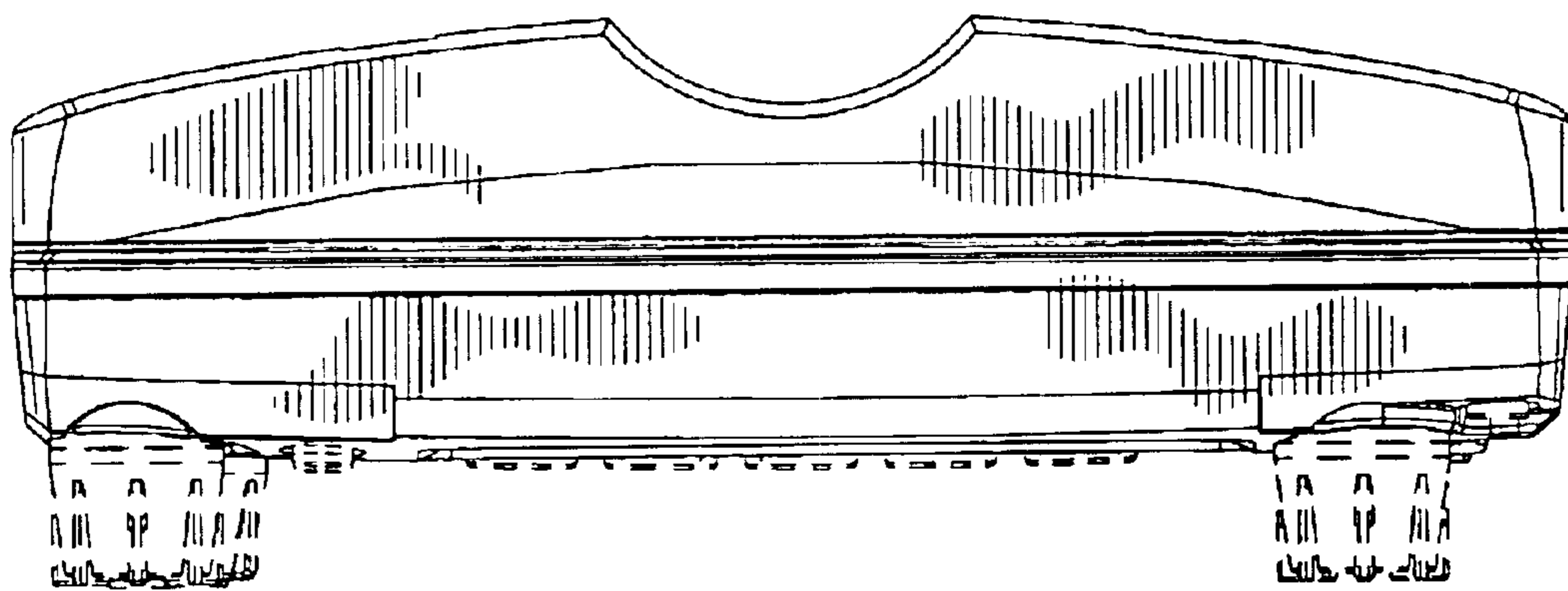


FIG. 4

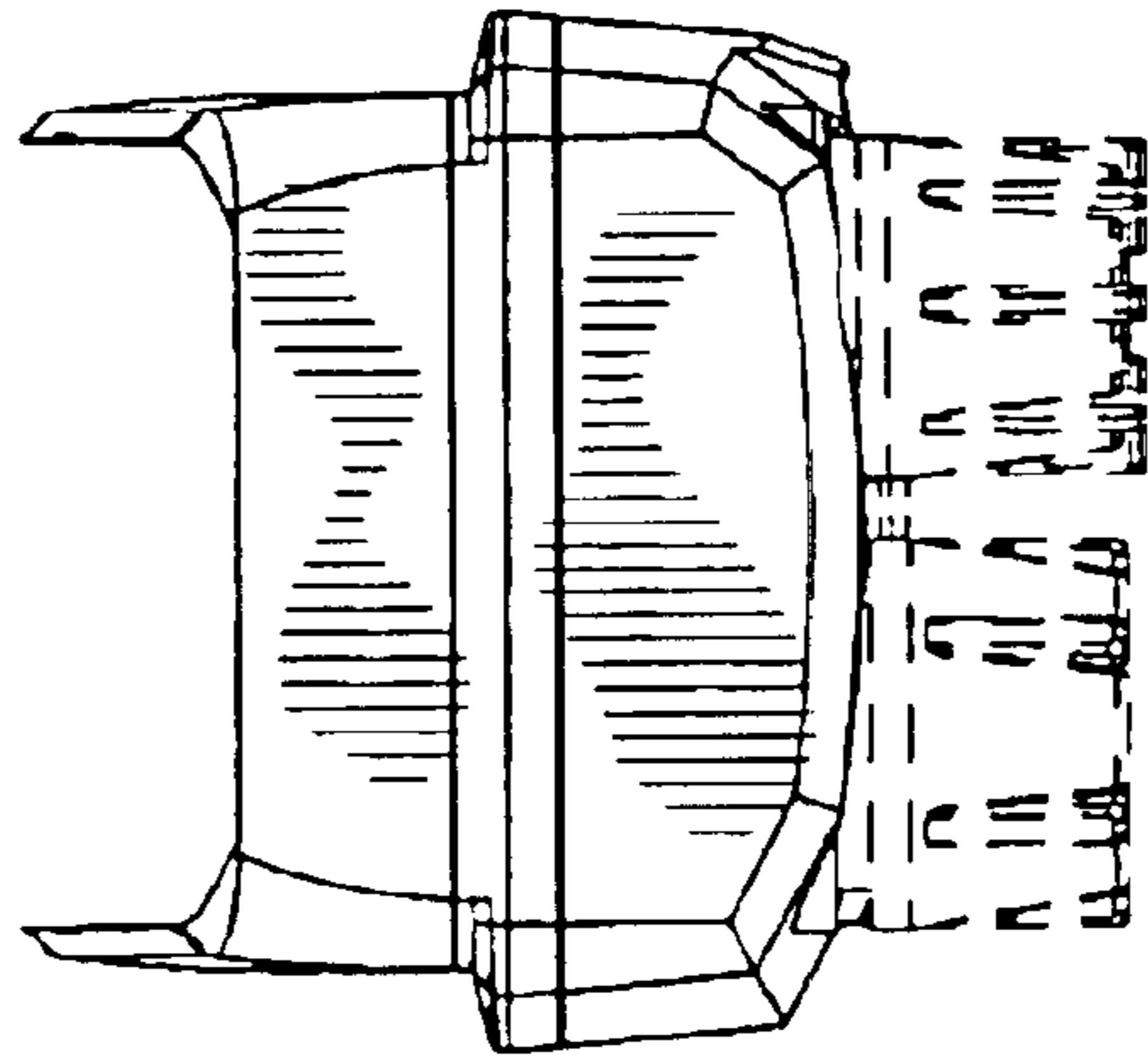


FIG. 5

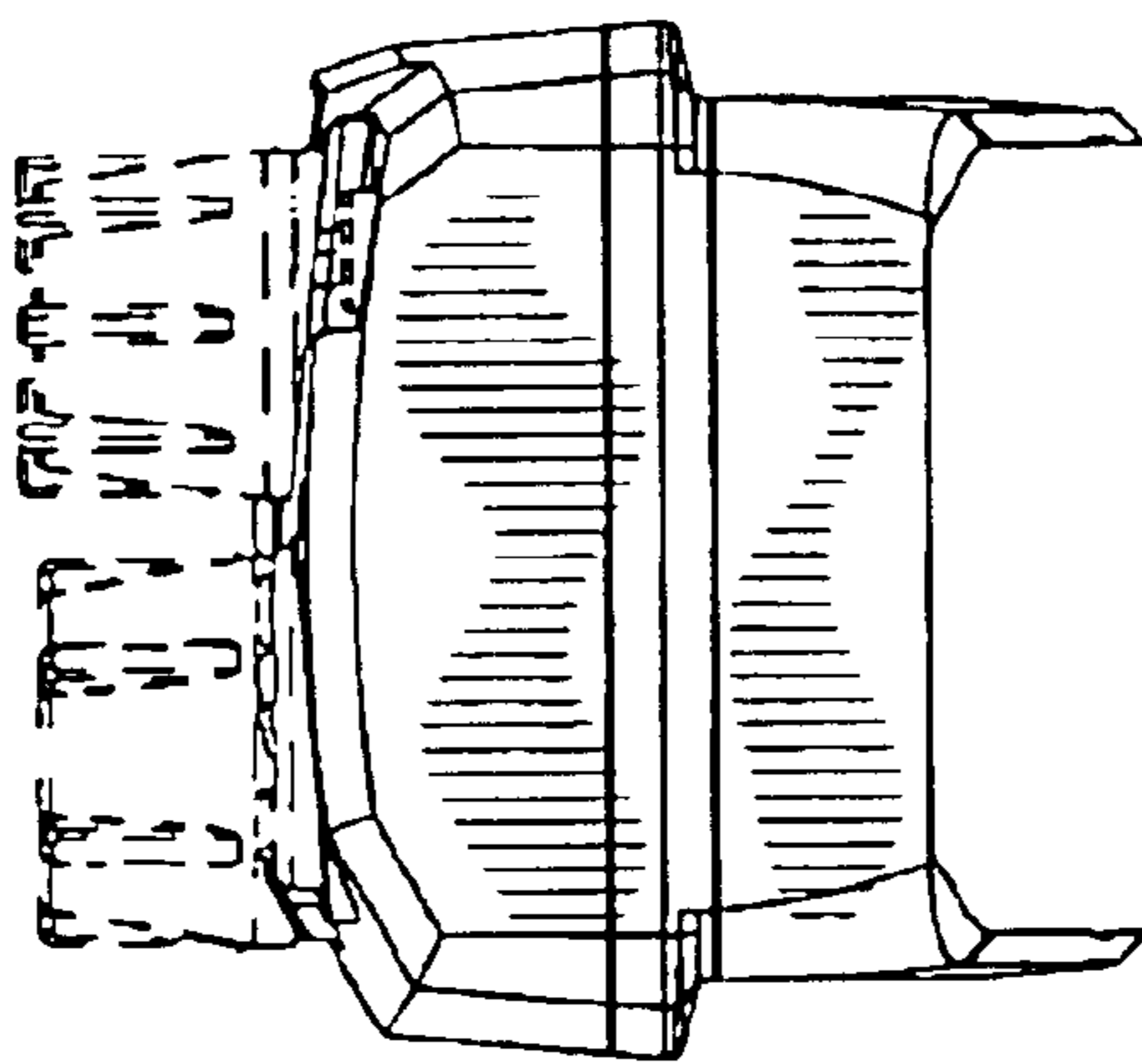


FIG. 6