



US00D514076S

(12) **United States Design Patent**
Albano et al.

(10) **Patent No.:** **US D514,076 S**
(45) **Date of Patent:** **** Jan. 31, 2006**

(54) **BEZEL FOR POWER SUPPLY**

D448,346 S * 9/2001 Hellwig et al. D13/139.5

(75) Inventors: **Carlo Albano**, Burlington, MA (US);
Roy R. Compton, Haverhill, MA (US);
Juliana A. Amado, Waltham, MA (US)

* cited by examiner

Primary Examiner—Alan P. Douglas
Assistant Examiner—Rosemary Tarcza

(73) Assignee: **American Power Conversion Corporation**, West Kingston, RI (US)

(74) *Attorney, Agent, or Firm*—Mintz, Levin, Cohn, Ferris Glovsky and Popeo, P.C.

(**) Term: **14 Years**

(57) **CLAIM**

The ornamental design for a bezel for power supply, as shown and described.

(21) Appl. No.: **29/207,412**

(22) Filed: **Jun. 14, 2004**

DESCRIPTION

(51) **LOC (8) Cl.** **13-03**

(52) **U.S. Cl.** **D13/184; D13/139.8**

(58) **Field of Classification Search** .. D13/137.1–137.4,
D13/139.1–139.8, 124, 160, 162, 164, 178,
D13/184; 361/118–119; 439/106–108, 188,
439/535, 650–654

FIG. 1 is a perspective view of one aspect of our new design;
FIG. 2 is a front view thereof;
FIG. 3 is a back view thereof;
FIG. 4 is a left side view thereof;
FIG. 5 is a right side view thereof;
FIG. 6 is a bottom or top view thereof;
FIG. 7 is a perspective view of another aspect of our new design;
FIG. 8 is a front view thereof;
FIG. 9 is a back view thereof;
FIG. 10 is a left side view thereof;
FIG. 11 is a right side view thereof; and,
FIG. 12 is a bottom or top view thereof.

See application file for complete search history.

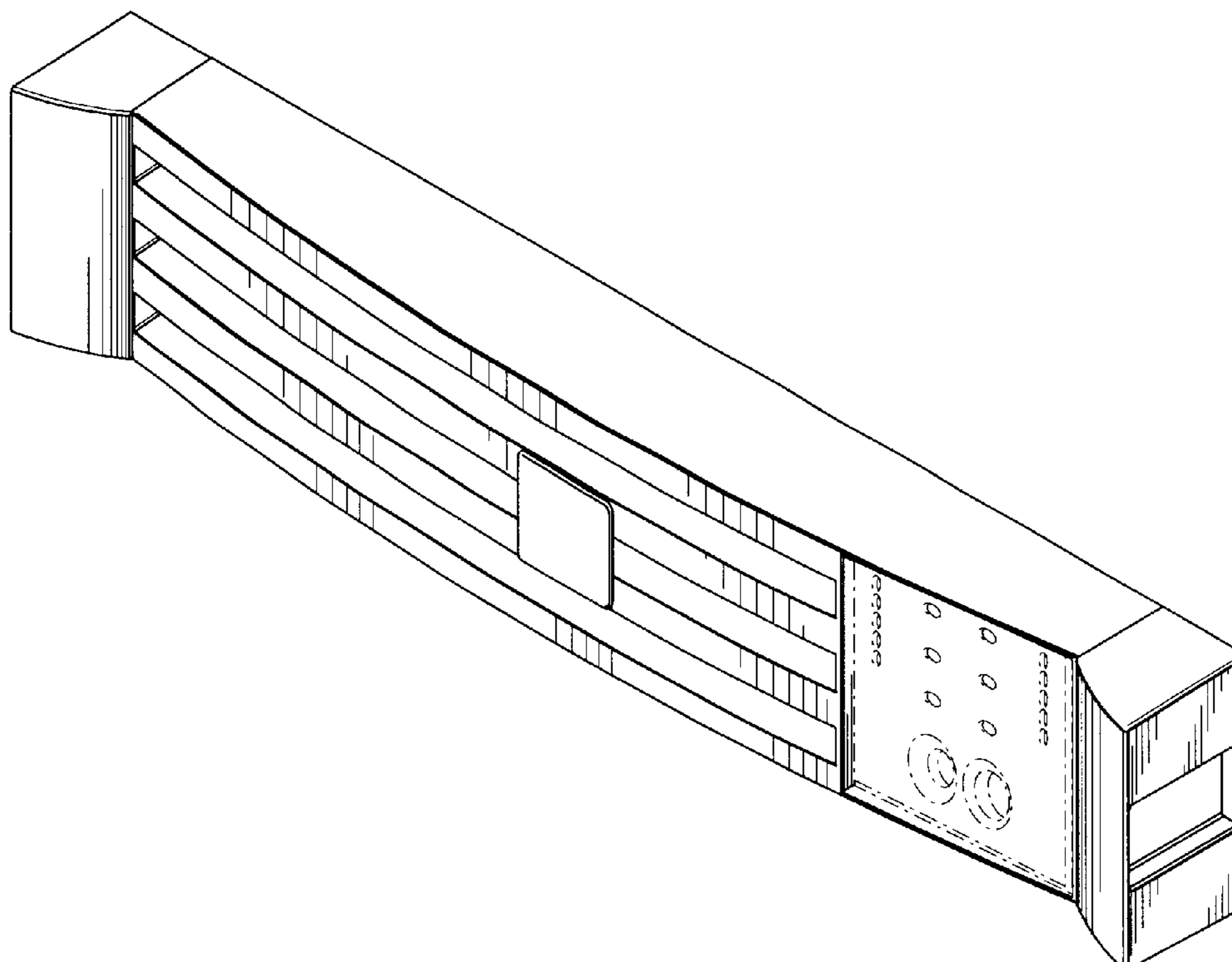
The ornamental design that is claimed is shown in solid lines in the drawings. The broken lines in the drawings are for illustrative purposes only and form no part of the claimed design.

(56) **References Cited**

U.S. PATENT DOCUMENTS

| | | | | | |
|-------------|---|---------|-------------------|-------|-----------|
| D131,026 S | * | 1/1942 | O'Brien | | D13/139.2 |
| D131,027 S | * | 1/1942 | O'Brien | | D13/139.2 |
| 4,164,618 A | * | 8/1979 | Casasanta | | 174/48 |
| D270,831 S | * | 10/1983 | Jensen | | D13/139.5 |
| D296,434 S | * | 6/1988 | Wilson | | D13/164 |
| D306,012 S | * | 2/1990 | Oesterheld et al. | | D13/139.8 |
| D310,665 S | * | 9/1990 | Fortune et al. | | D14/140 |
| D319,213 S | * | 8/1991 | Wiand | | D13/139.8 |
| D365,802 S | * | 1/1996 | Fladung | | D13/139.8 |

1 Claim, 10 Drawing Sheets



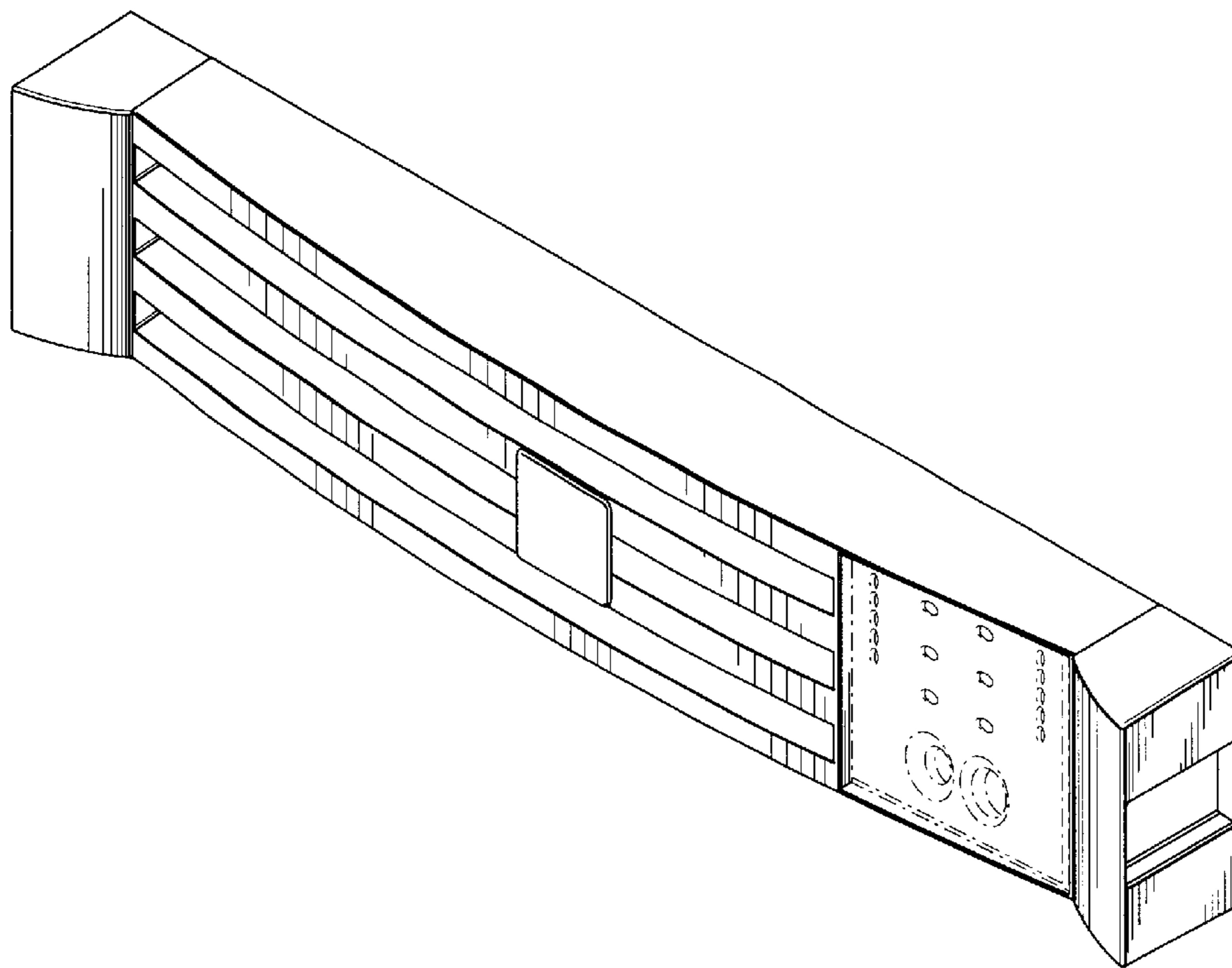


Fig. 1

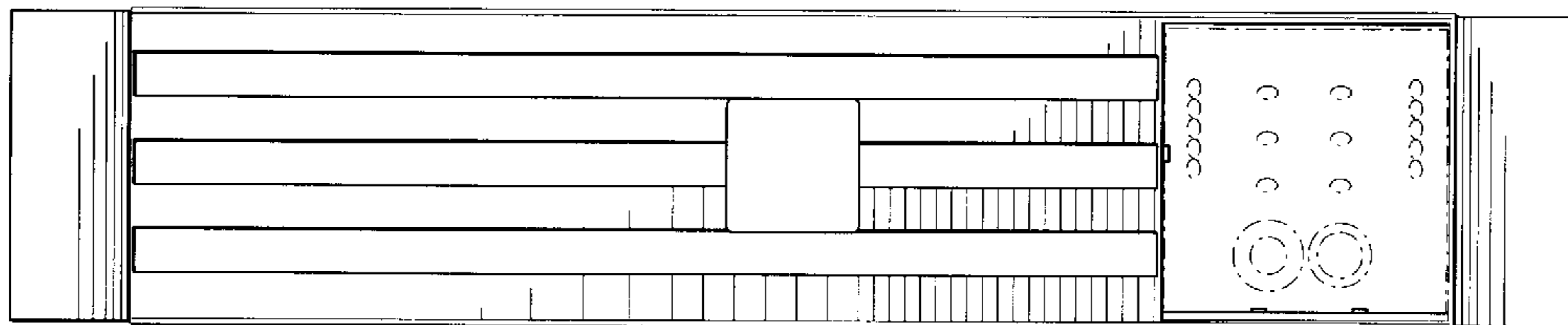


Fig. 2

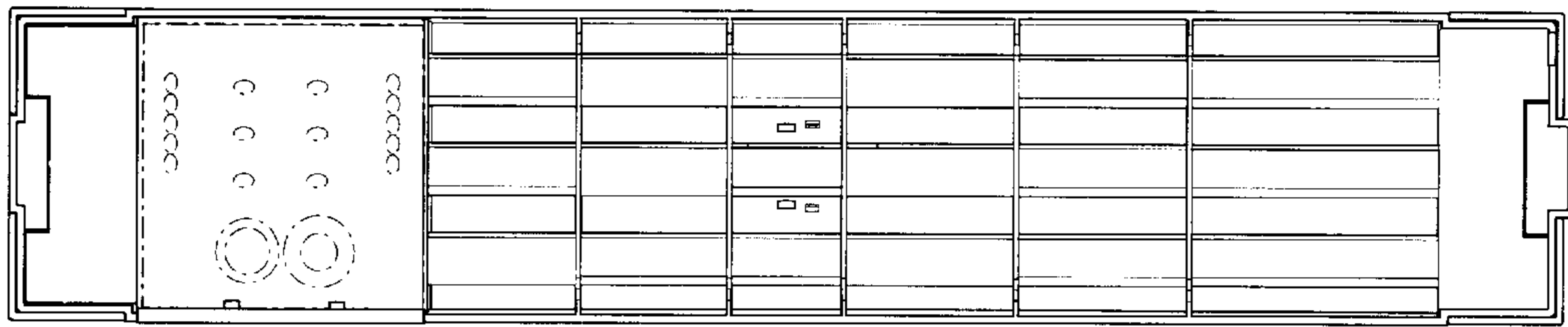


Fig. 3

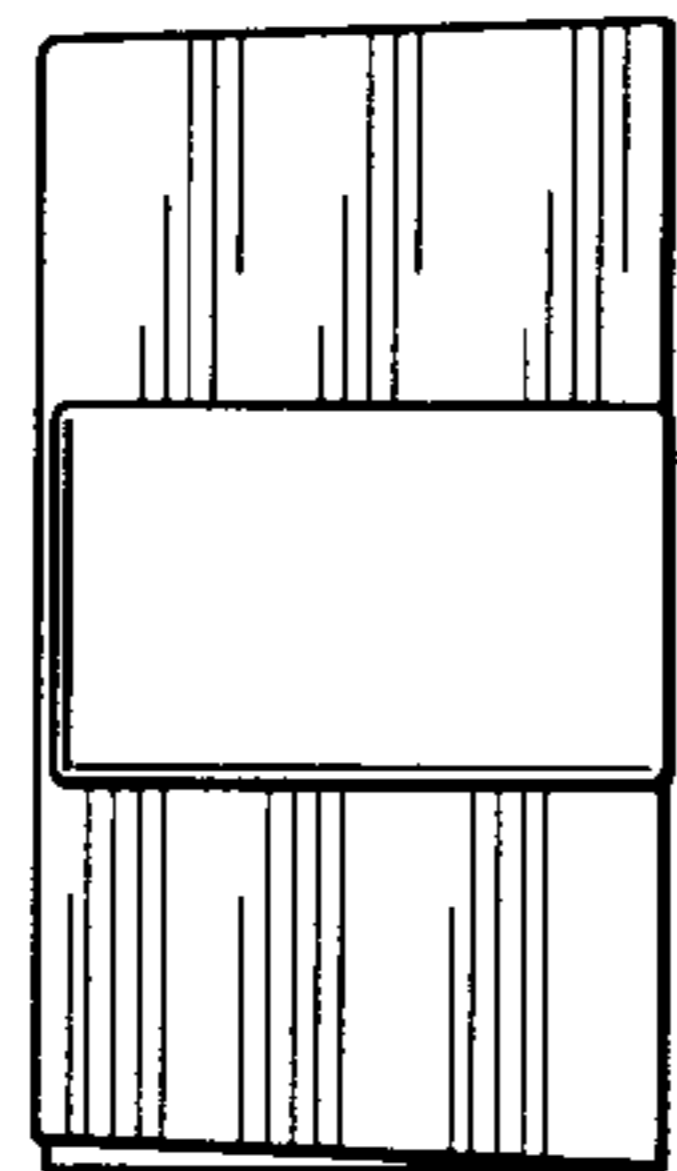


Fig. 4

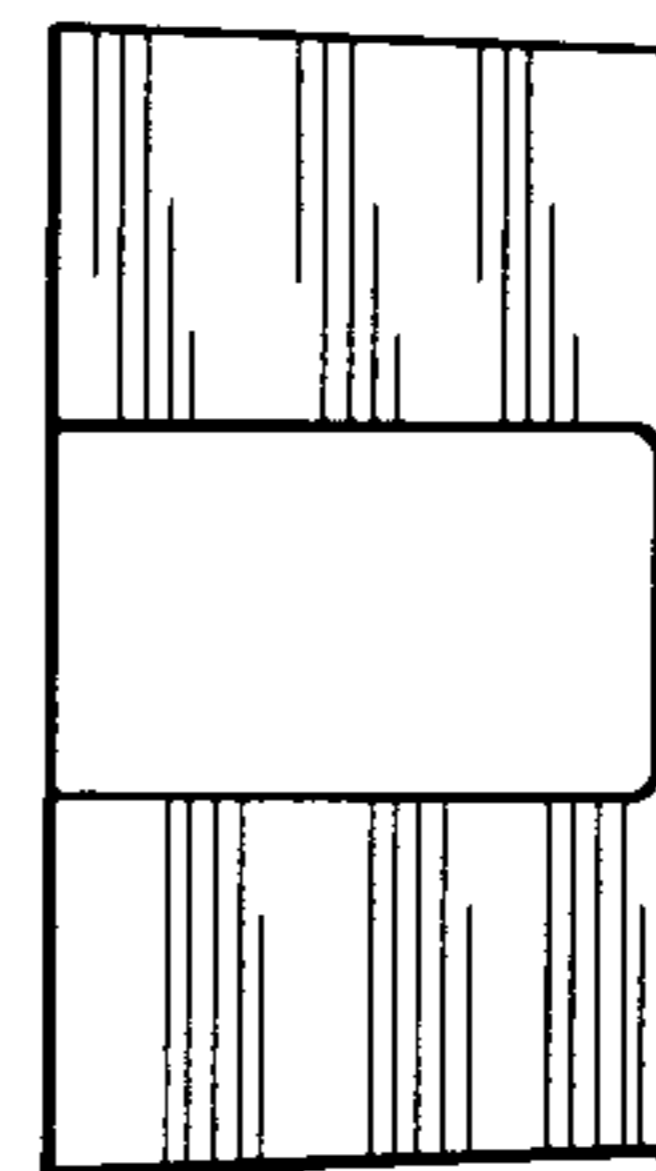


Fig. 5

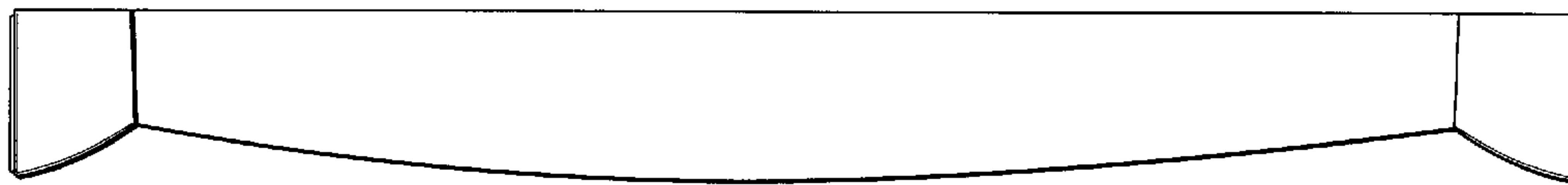


Fig. 6

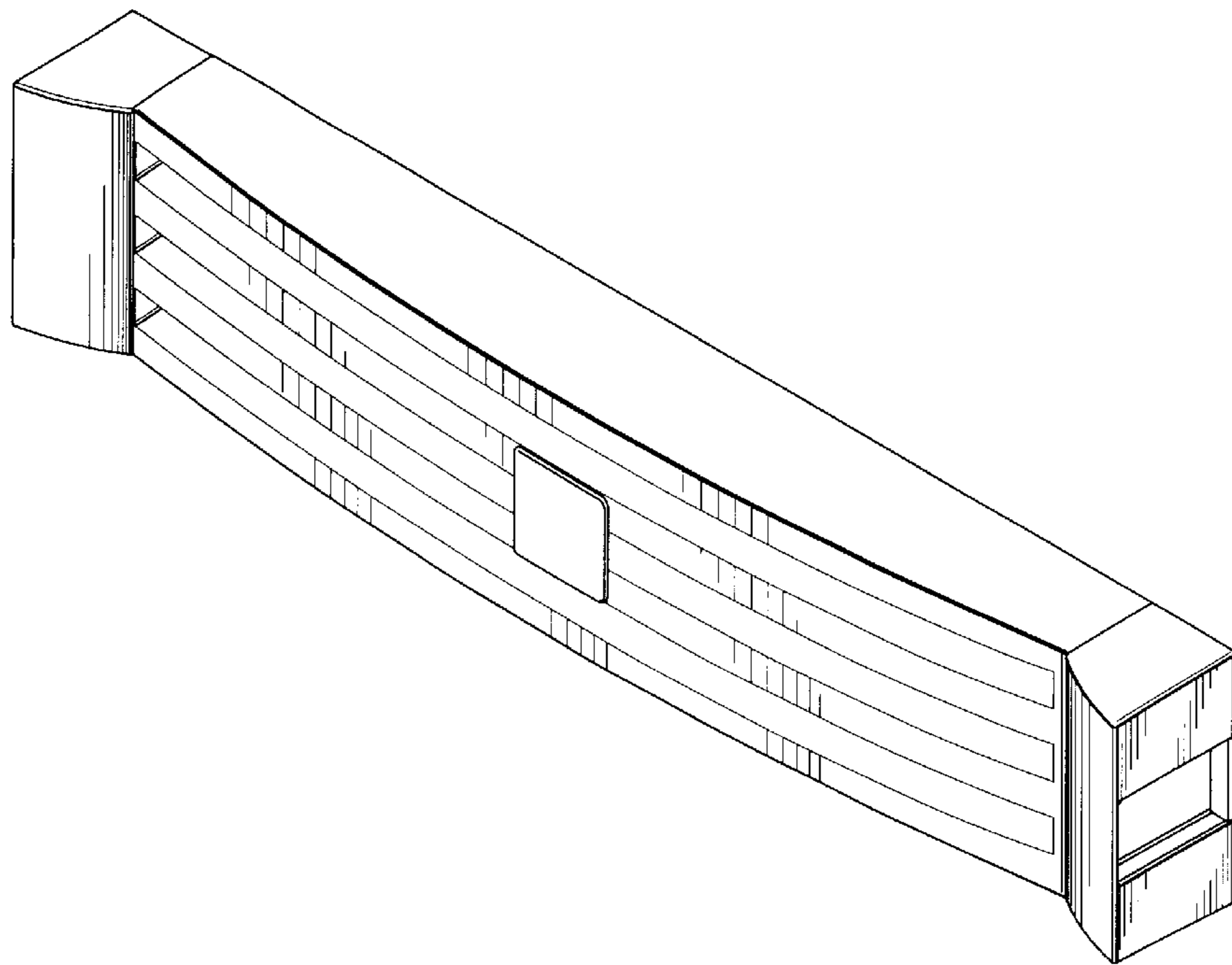


Fig. 7

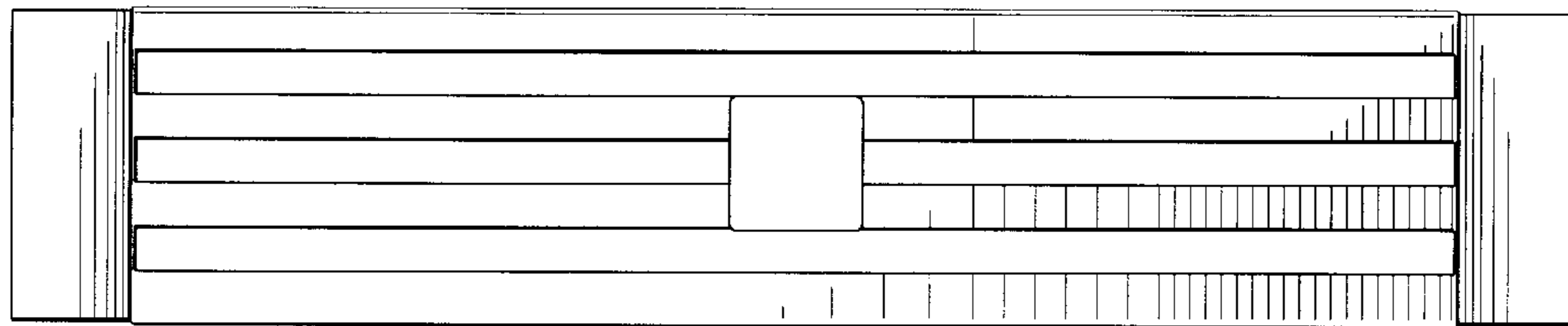


Fig. 8

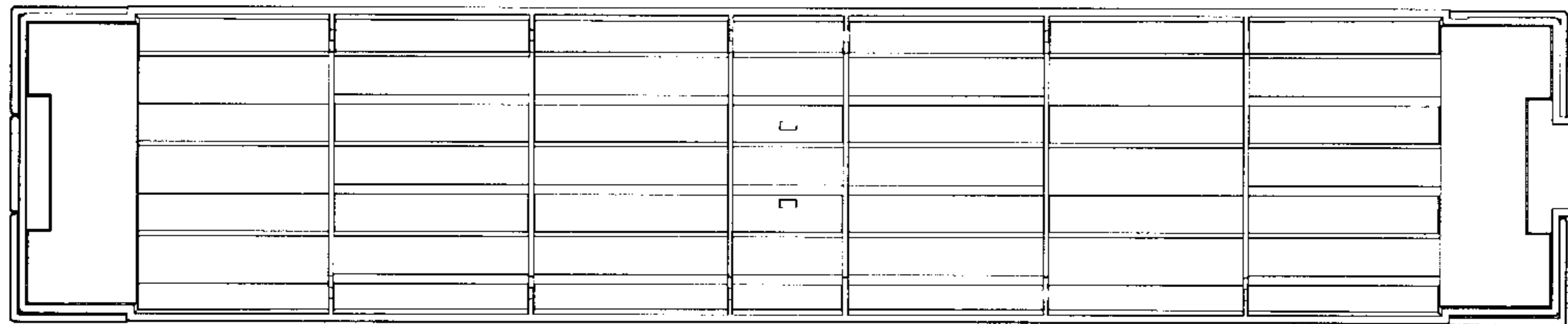


Fig. 9

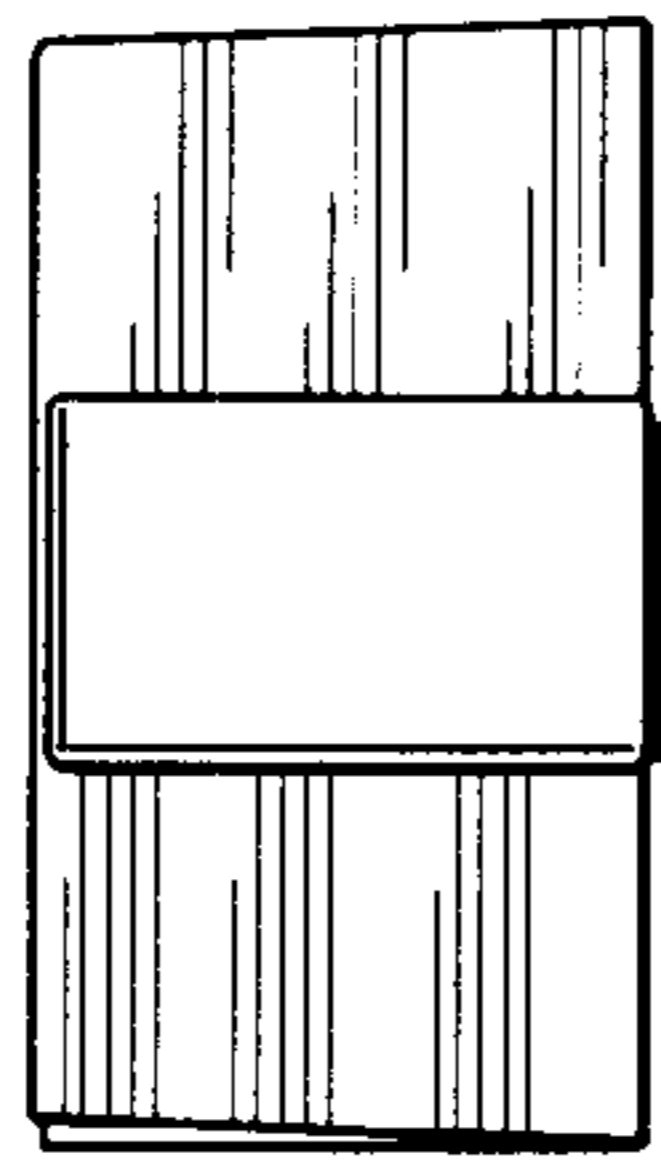


Fig. 10

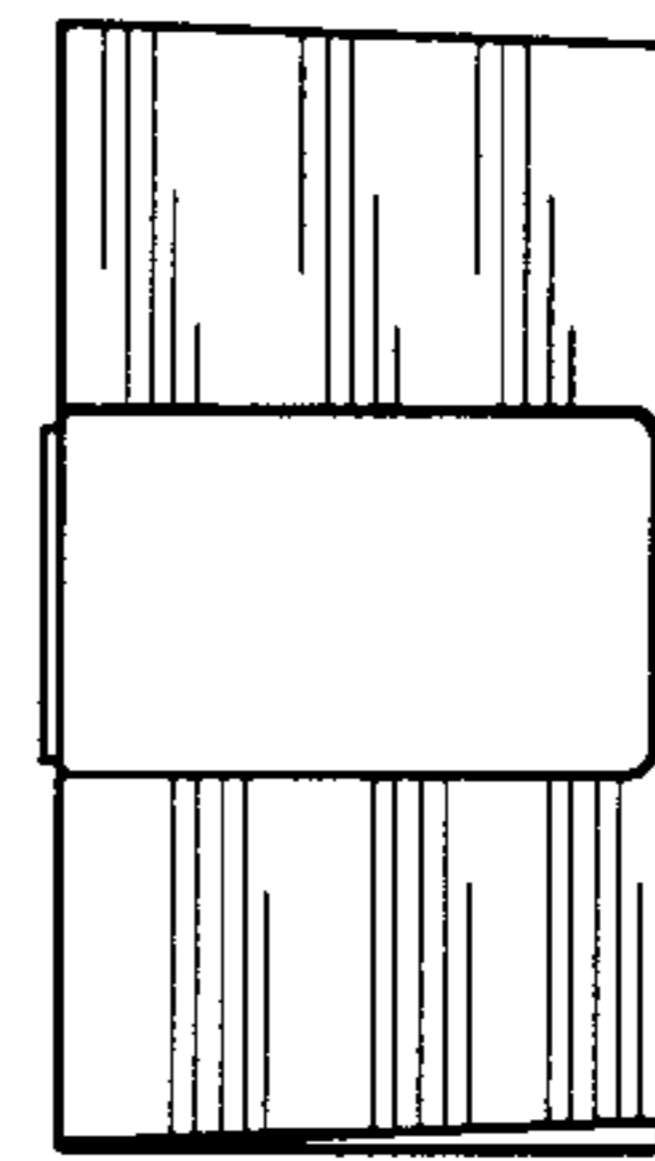


Fig. 11

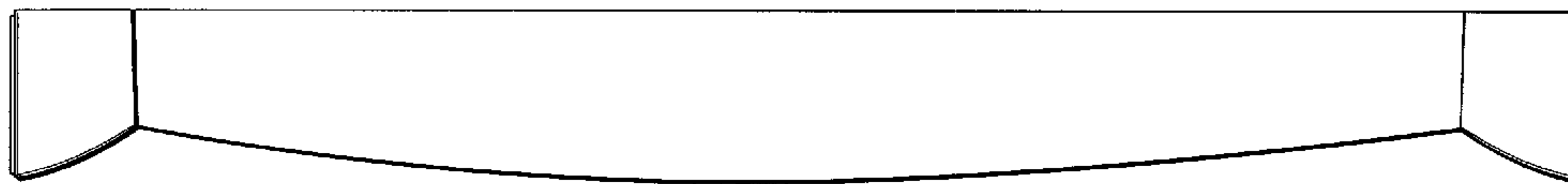


Fig. 12