



US00D514072S

(12) **United States Design Patent**  
**Martinez**

(10) **Patent No.: US D514,072 S**  
(45) **Date of Patent: \*\* Jan. 31, 2006**

(54) **PUSH BUTTON WITH LIGHT**

6,066,816 A \* 5/2000 Benger ..... 200/296  
6,590,176 B2 \* 7/2003 Cole et al. .... 200/341

(75) Inventor: **Juan-Jose Verdu Martinez, Barcelona (ES)**

**FOREIGN PATENT DOCUMENTS**

(73) Assignee: **Industrias Lorenzo, S.A. (ES)**

GB 2 202 678 A 9/1988

(\*\*) Term: **14 Years**

\* cited by examiner

(21) Appl. No.: **29/199,142**

*Primary Examiner*—Stella Reid  
*Assistant Examiner*—Selina Sikder

(22) Filed: **Feb. 10, 2004**

(74) *Attorney, Agent, or Firm*—Black Lowe & Graham PLLC

(51) **LOC (8) Cl. .... 13-03**

(57) **CLAIM**

(52) **U.S. Cl. .... D13/174**

The ornamental design for a push button with light, as shown and described.

(58) **Field of Classification Search** ..... D13/171,  
D13/174; 200/5 A, 6 R, 520, 302.2, 314,  
200/317, 333, 341, 345

**DESCRIPTION**

See application file for complete search history.

FIG. 1 is a top left perspective view of a push button with light showing my new design.

(56) **References Cited**

**U.S. PATENT DOCUMENTS**

3,652,963 A \* 3/1972 Fox ..... 335/205  
3,652,964 A \* 3/1972 Chamberlain ..... 335/205  
4,454,397 A \* 6/1984 Kim ..... 200/296  
D287,067 S \* 12/1986 Kasai ..... D11/218  
4,758,701 A \* 7/1988 Nagel ..... 200/314  
5,543,594 A 8/1996 Romero-Herrera  
5,993,019 A \* 11/1999 Kline et al. .... 362/29

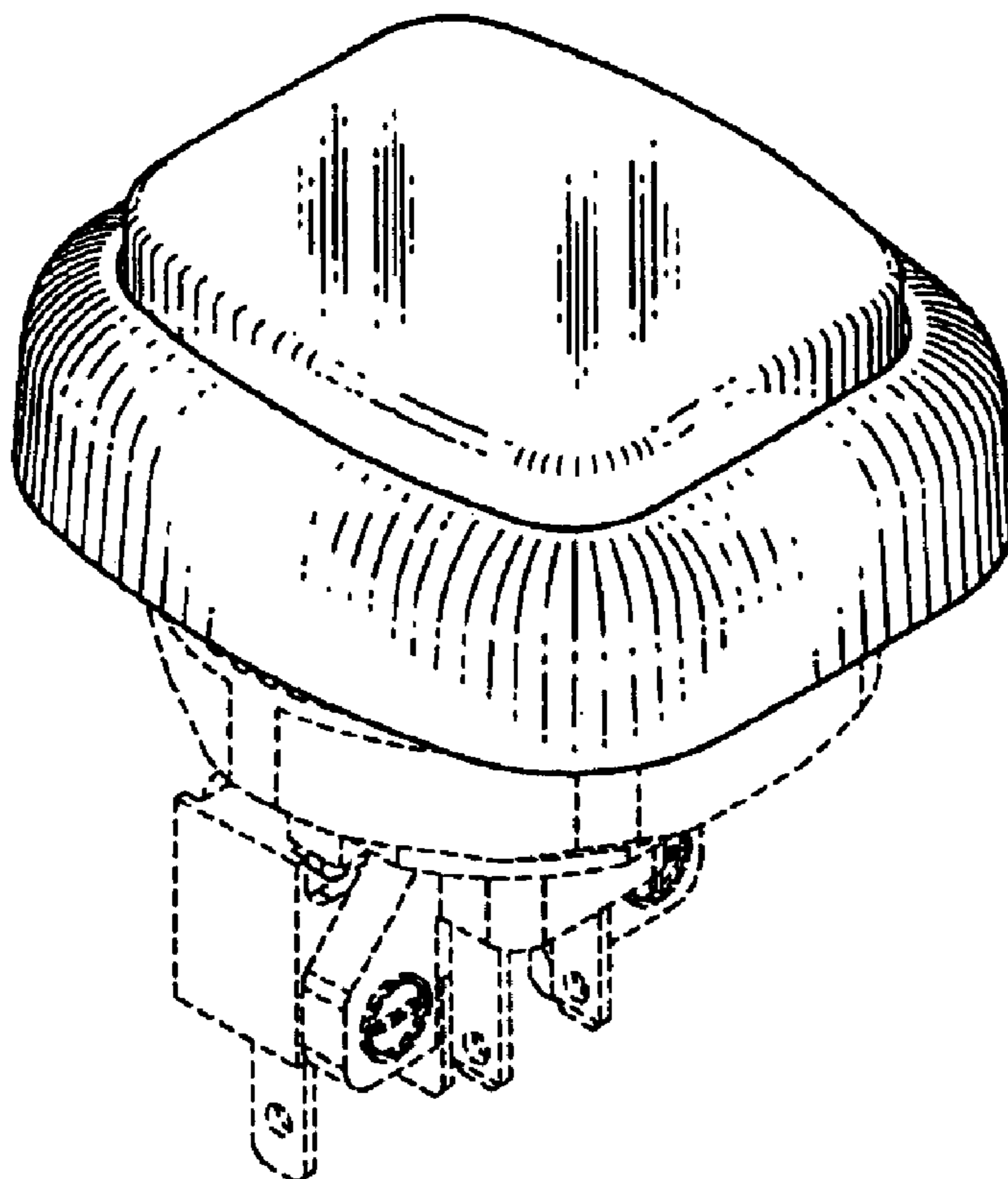
FIG. 2 is a top plan view thereof.

FIG. 3 is a right side elevational view thereof, the left side elevational view being a mirror image thereof; and,

FIG. 4 is a front elevational view thereof, the rear elevational view being a mirror image thereof.

The broken lines in the figures are for illustrative purposes only and form no part of the claimed design.

**1 Claim, 2 Drawing Sheets**



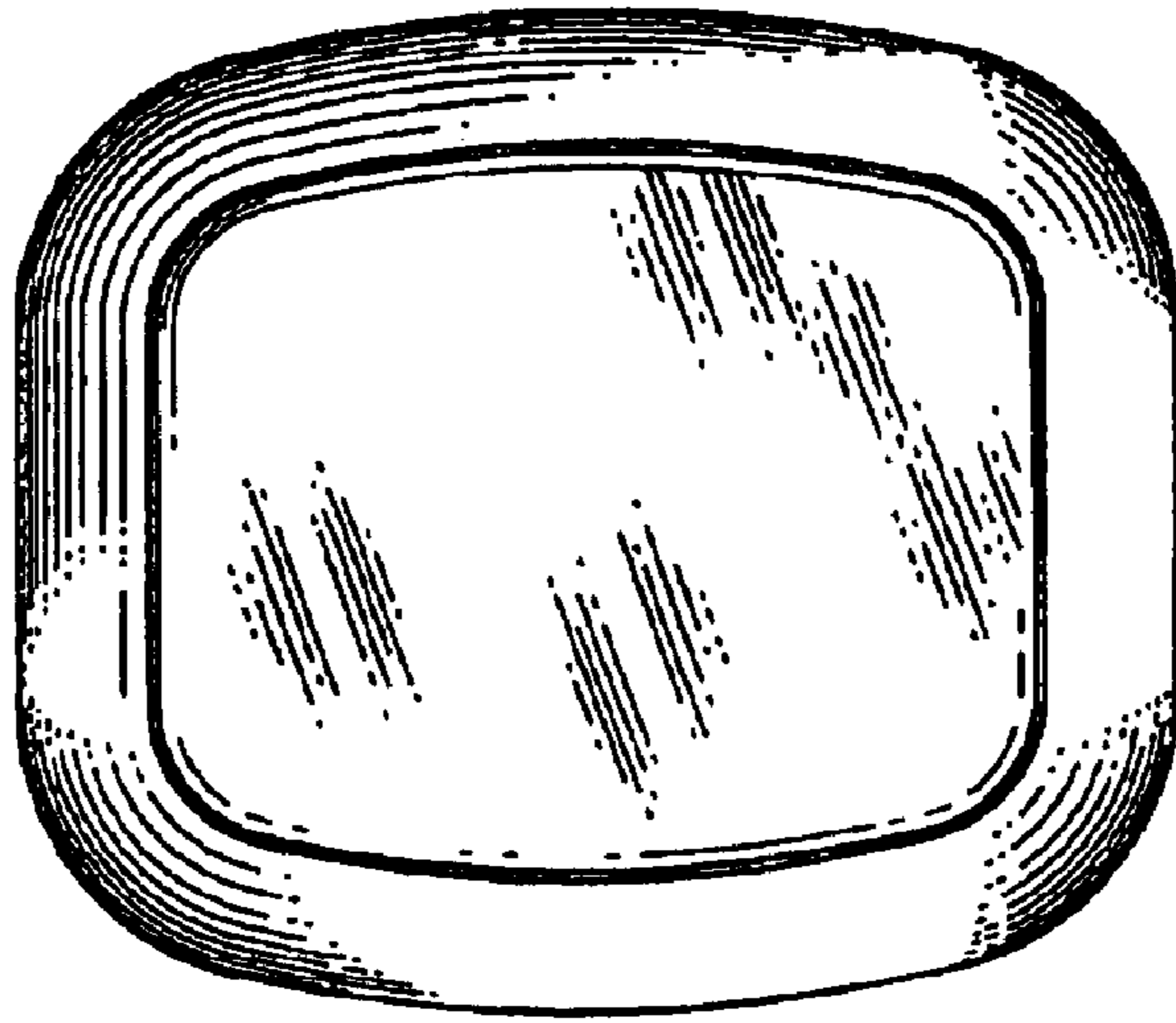


Fig. 2

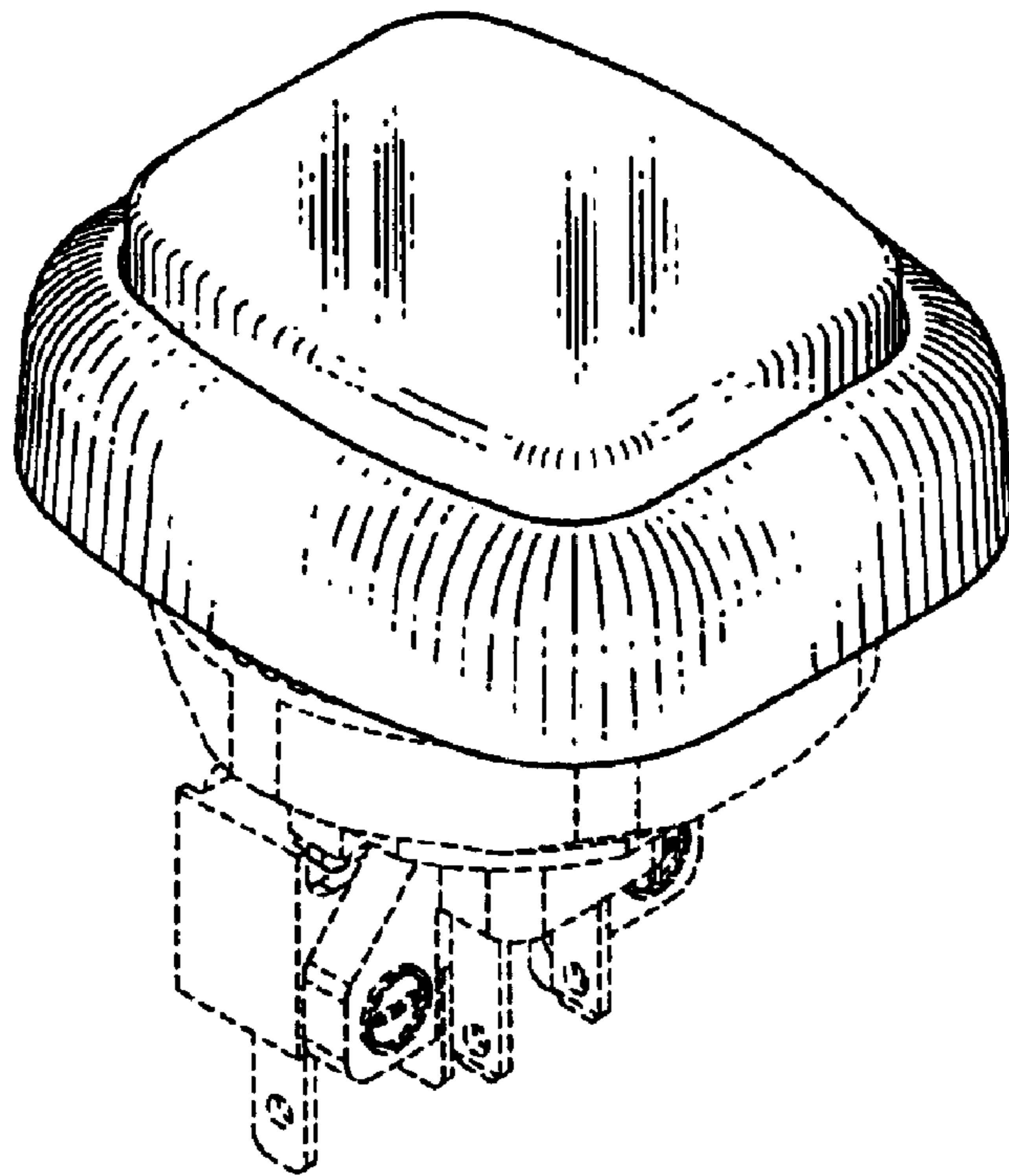


Fig. 1

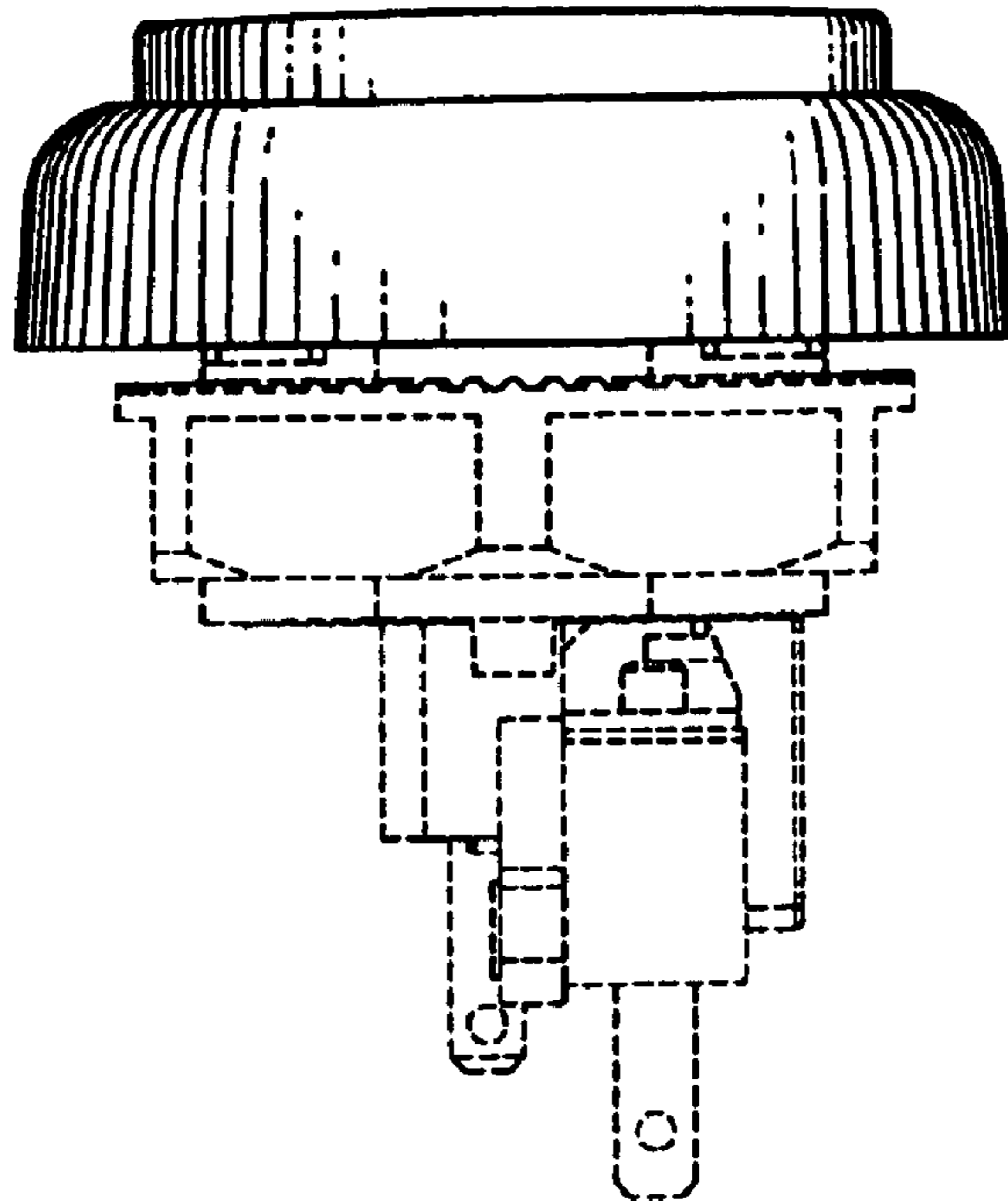


Fig. 3

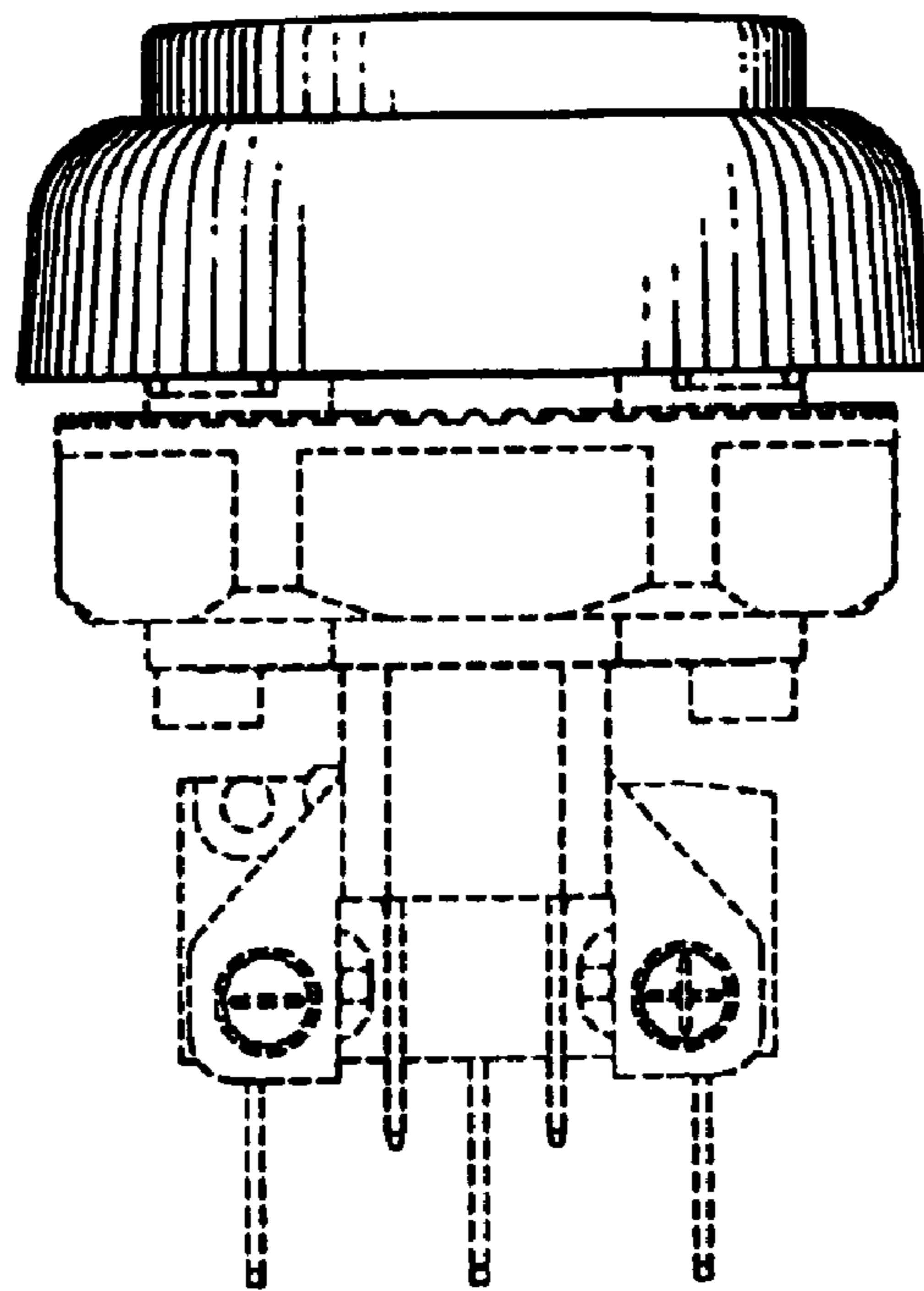


Fig. 4