



US00D514071S

(12) **United States Design Patent**
Vahey

(10) **Patent No.:** **US D514,071 S**

(45) **Date of Patent:** **** Jan. 31, 2006**

(54) **COAXIAL CONNECTOR**

(75) **Inventor:** **Jeff Vahey**, Jamesville, NY (US)

(73) **Assignee:** **Thomas & Betts International, Inc.**,
Sparks, NV (US)

(**) **Term:** **14 Years**

5,435,745 A	7/1995	Booth	
5,571,028 A	11/1996	Szegda	
5,620,339 A	4/1997	Gray et al.	
5,632,651 A	5/1997	Szegda	
5,641,294 A	* 6/1997	Beard	439/247
5,730,612 A	* 3/1998	Tatsuzuki	439/188
D400,170 S	* 10/1998	Asai et al.	D13/133
5,879,191 A	3/1999	Burris	

(21) **Appl. No.:** **29/170,713**

(22) **Filed:** **Nov. 12, 2002**

(51) **LOC (8) Cl.** **13-03**

(52) **U.S. Cl.** **D13/154**

(58) **Field of Classification Search** D13/146,
D13/154, 133; 439/578, 580, 583-585, 174,
439/175

See application file for complete search history.

FOREIGN PATENT DOCUMENTS

DE	1191880	12/1965
DE	3211008	10/1983
GB	1087228	3/1966
GB	1270846	7/1969

* cited by examiner

Primary Examiner—Alan P. Douglas

Assistant Examiner—Cynthia M. Chin

(74) *Attorney, Agent, or Firm*—G. Andrew Barger

(56) **References Cited**

U.S. PATENT DOCUMENTS

1,667,485 A	8/1927	MacDonald	
3,179,912 A	* 4/1965	Huber et al.	439/581
3,184,706 A	5/1965	Atkins	
3,212,050 A	* 10/1965	Stark	439/585
3,406,373 A	10/1968	Forney, Jr.	
3,668,612 A	6/1972	Nepovim	
3,854,003 A	12/1974	Duret	
3,907,399 A	9/1975	Spinner	
4,280,749 A	7/1981	Hemmer	
4,408,822 A	10/1983	Nikitas	
4,575,694 A	* 3/1986	Lapke et al.	333/22 R
4,593,964 A	6/1986	Forney, Jr. et al.	
4,600,263 A	7/1986	DeChamp et al.	
4,614,390 A	9/1986	Baker	
4,640,572 A	2/1987	Conlon	
4,717,355 A	1/1988	Mattis	
4,746,305 A	* 5/1988	Nomura	439/319
4,789,355 A	12/1988	Lee	
4,834,675 A	5/1989	Samchisen	
4,902,246 A	2/1990	Samchisen	
4,973,265 A	11/1990	Heeren	
D317,292 S	* 6/1991	Brisson	D13/133
5,024,606 A	6/1991	Ming-Hwa	
5,161,993 A	11/1992	Leibfried, Jr.	
5,207,602 A	5/1993	McMills et al.	
5,354,217 A	10/1994	Gabel et al.	

(57) **CLAIM**

The ornamental design for a coaxial connector, as shown and described.

DESCRIPTION

FIG. 1 is a perspective view of the preferred coaxial connector design, showing end caps disposed in axial alignment on each end of the connector.

FIG. 2 is an end elevational view of the preferred coaxial connector design, showing an end on the right side of FIG. 1.

FIG. 3 is a side elevational view of the preferred coaxial connector design.

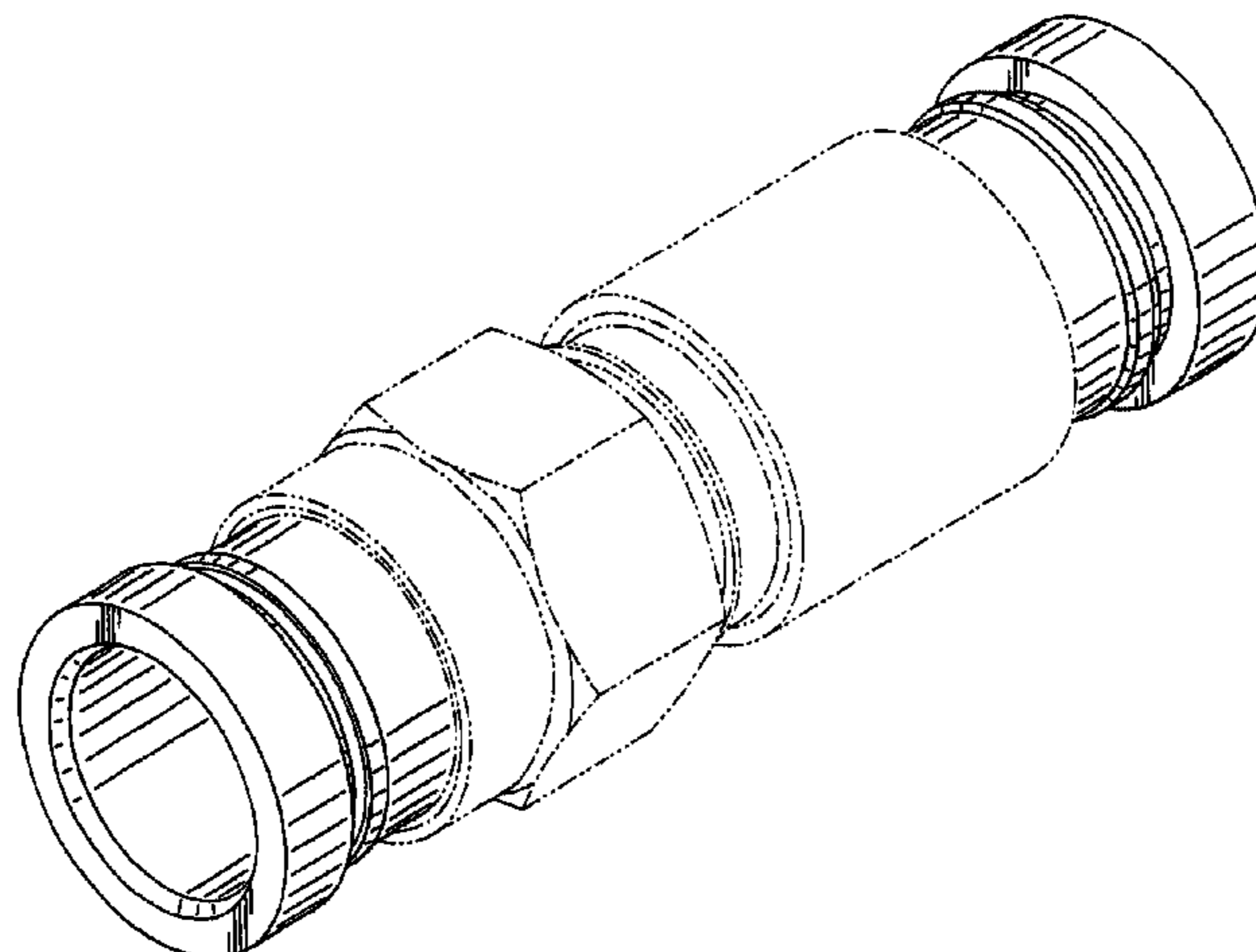
FIG. 4 is an end elevational view of the preferred coaxial connector design, showing an end on the left side of FIG. 1. FIG. 5 is a plan view of the preferred coaxial connector design.

FIG. 6 is an end elevational view of the alternative embodiment of the coaxial connector design, showing a second end; and,

FIG. 7 is a plan view of the alternative embodiment of the coaxial connector design.

The broken lines are for illustrative purposes only and form no part of the claimed design.

1 Claim, 6 Drawing Sheets



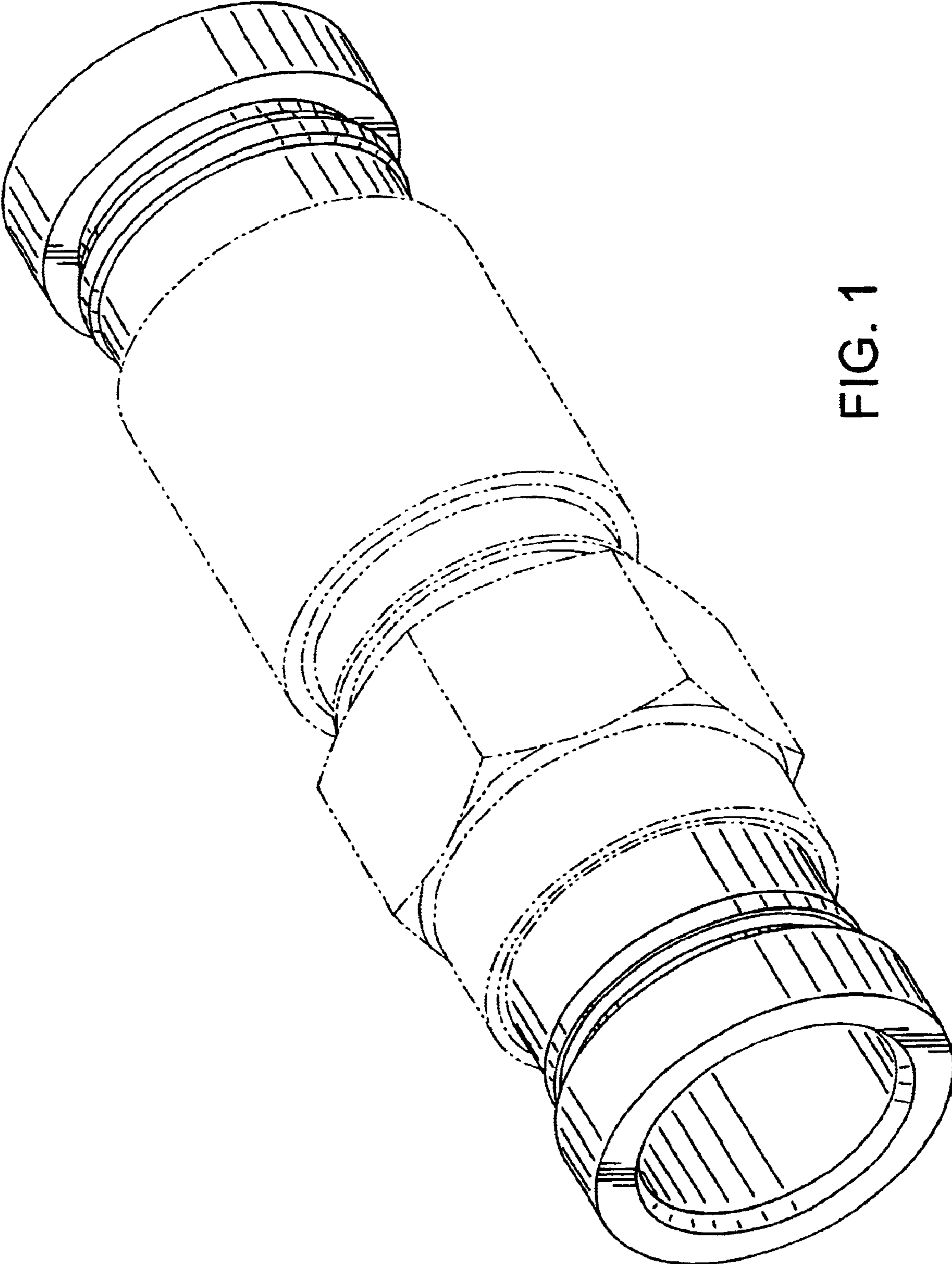


FIG. 1

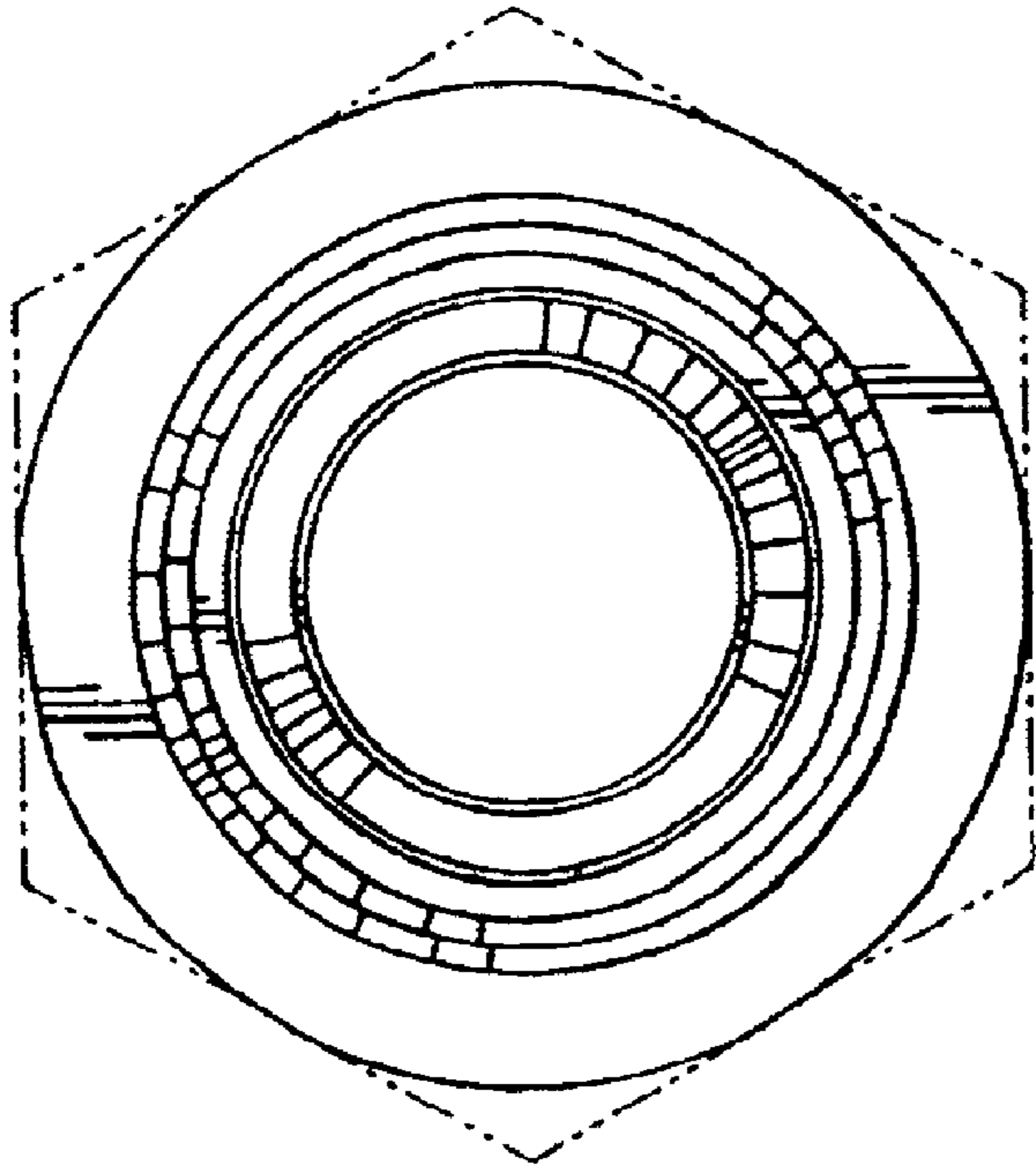


FIG. 4

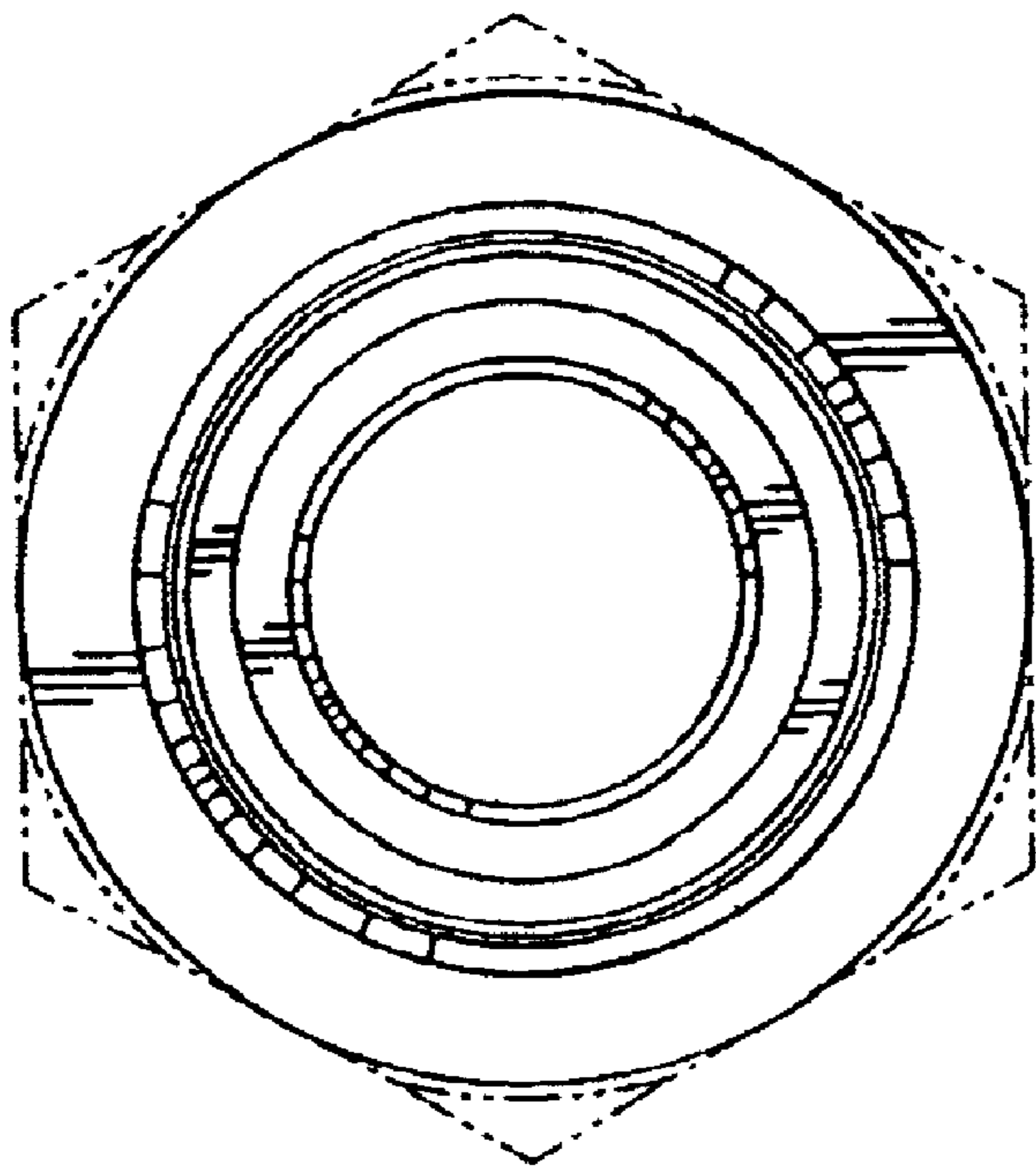


FIG. 2

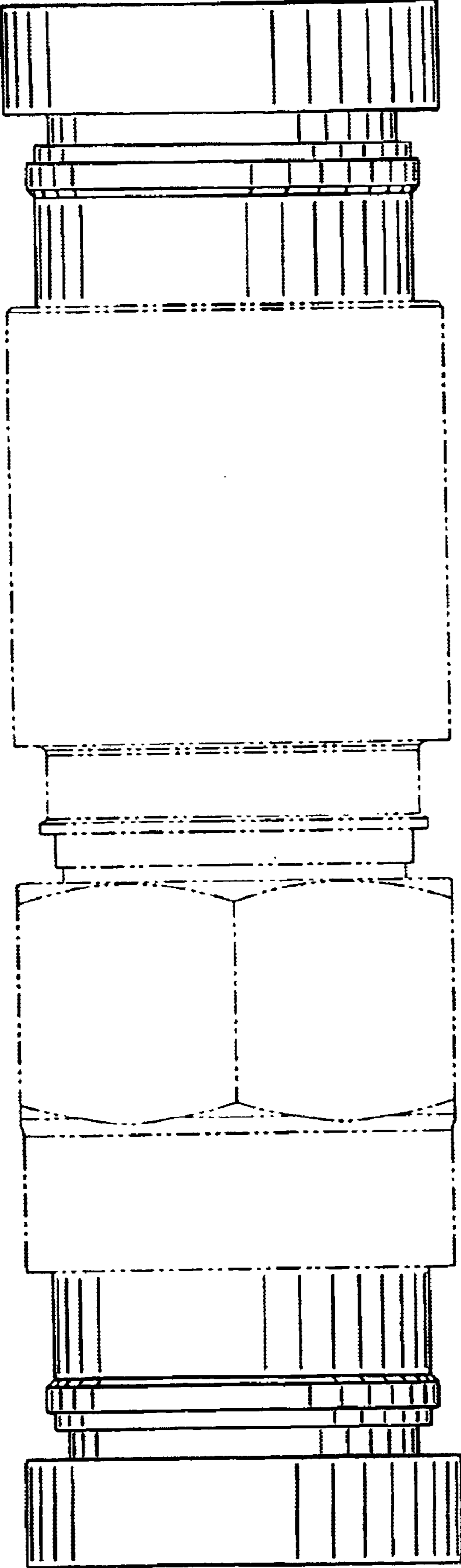


FIG. 3

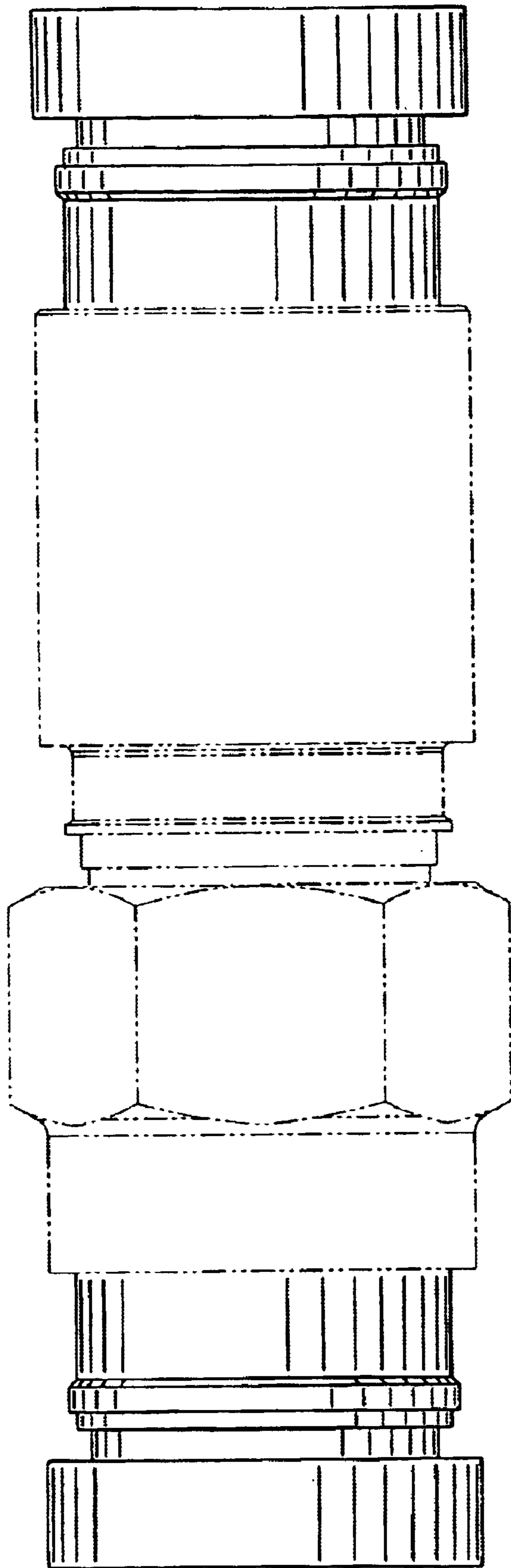


FIG. 5

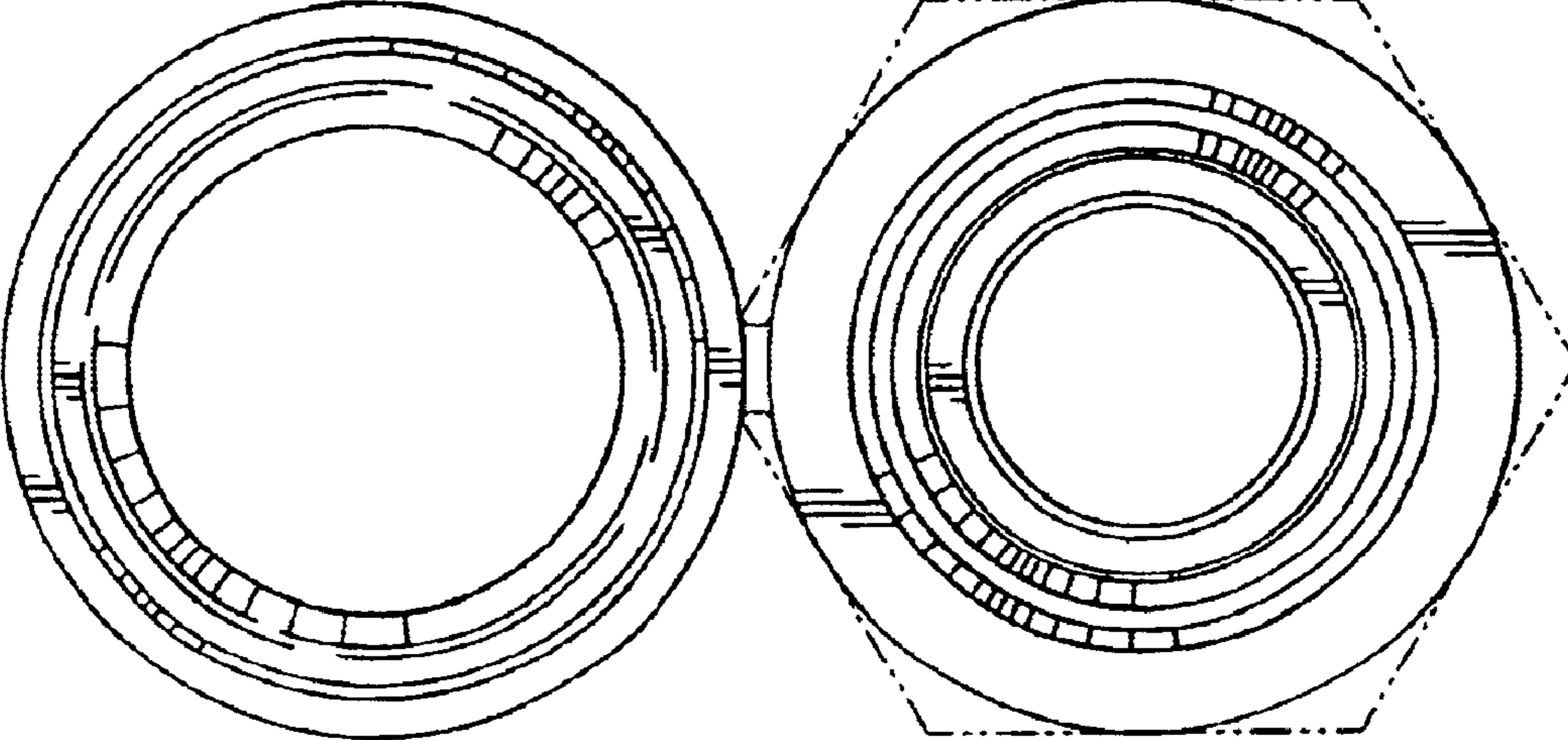


FIG. 6

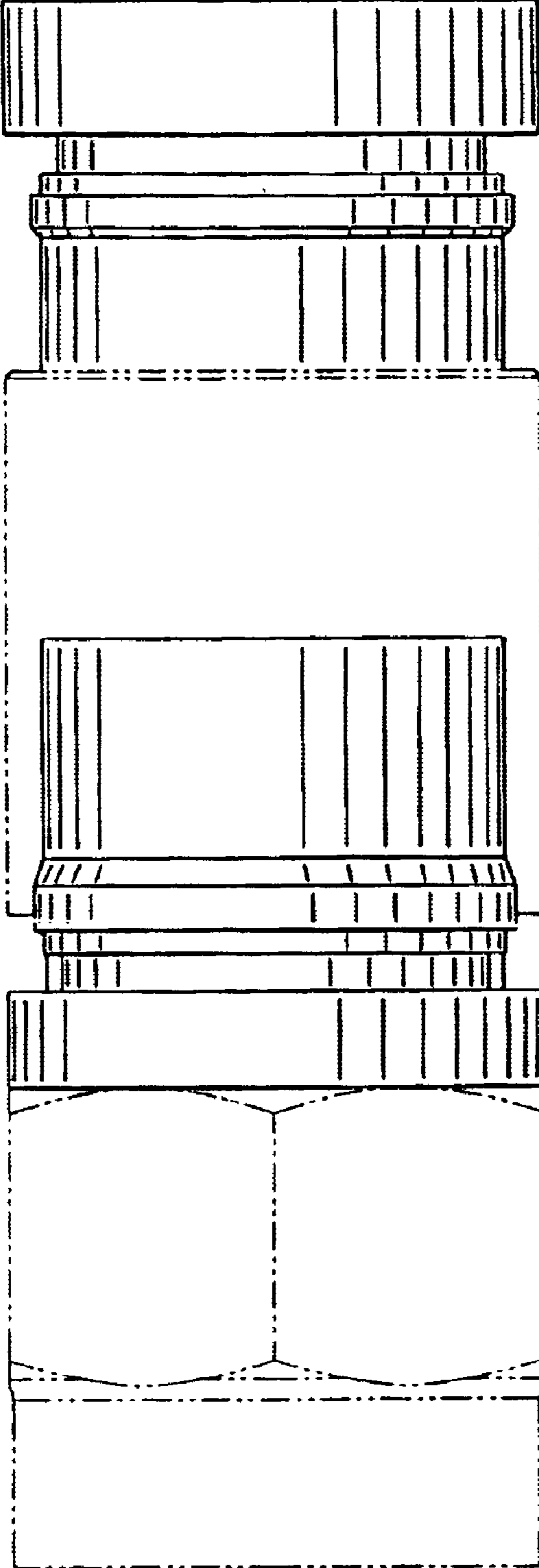


FIG. 7