



US00D514070S

(12) **United States Design Patent**
Bachmann

(10) **Patent No.:** **US D514,070 S**
(45) **Date of Patent:** **** Jan. 31, 2006**

(54) **CABLE CONNECTOR**

(75) Inventor: **Werner Bachmann**, Rankweil (AT)

(73) Assignee: **Neutrik Aktiengesellschaft**, Schaan (LI)

(**) Term: **14 Years**

(21) Appl. No.: **29/217,502**

(22) Filed: **Nov. 18, 2004**

Related U.S. Application Data

(62) Division of application No. 29/157,444, filed on Mar. 19, 2002, now Pat. No. Des. 501,826.

(30) **Foreign Application Priority Data**

Sep. 24, 2001 (WO) DM/057 379
Jan. 16, 2002 (AT) MU-204/2002
Jan. 16, 2002 (AT) MU-203/2002

(51) **LOC (8) Cl.** **13-03**

(52) **U.S. Cl.** **D13/149**

(58) **Field of Classification Search** D13/133,
D13/147, 149, 154, 156; D14/256; 439/578,
439/583-584, 668-669, 675, 751, 843, 851
See application file for complete search history.

Primary Examiner—Stella M. Reid

Assistant Examiner—Daniel Bui

(74) *Attorney, Agent, or Firm*—Neal L. Slifkin

(57) **CLAIM**

The ornamental design of an cable connector, as shown and described.

DESCRIPTION

FIG. 1 is a front elevation view of a cable connector, showing my new design;

FIG. 2 is a left side elevation view thereof;

FIG. 3 is a bottom plan view thereof;

FIG. 4 is a rear elevation view thereof;

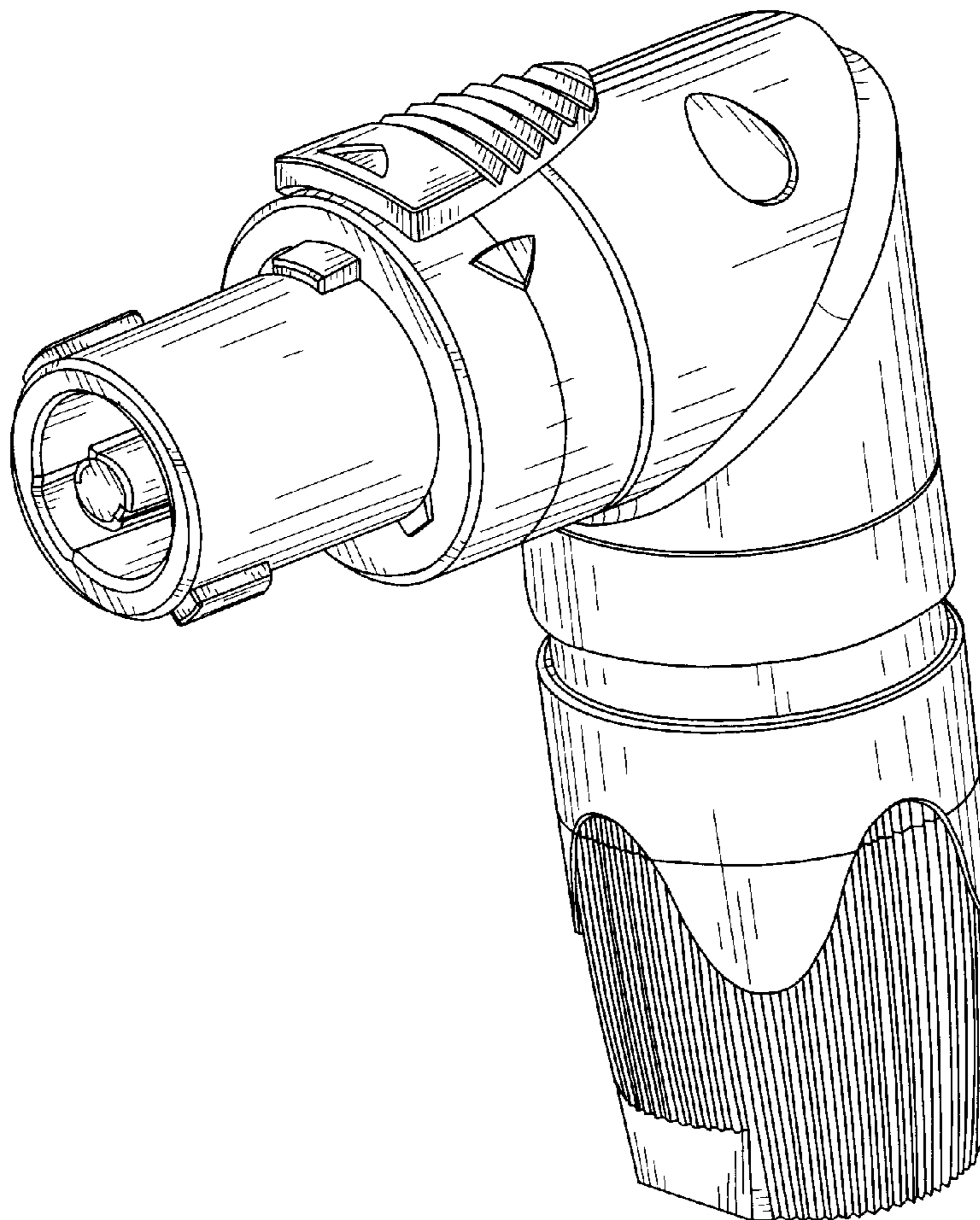
FIG. 5 is a top plan view thereof;

FIG. 6 is a right side elevation view thereof; and,

FIG. 7 is a perspective view thereof, on an enlarged scale.

The cable connector is formed in an ornamental shape which makes it attractive for use.

1 Claim, 4 Drawing Sheets



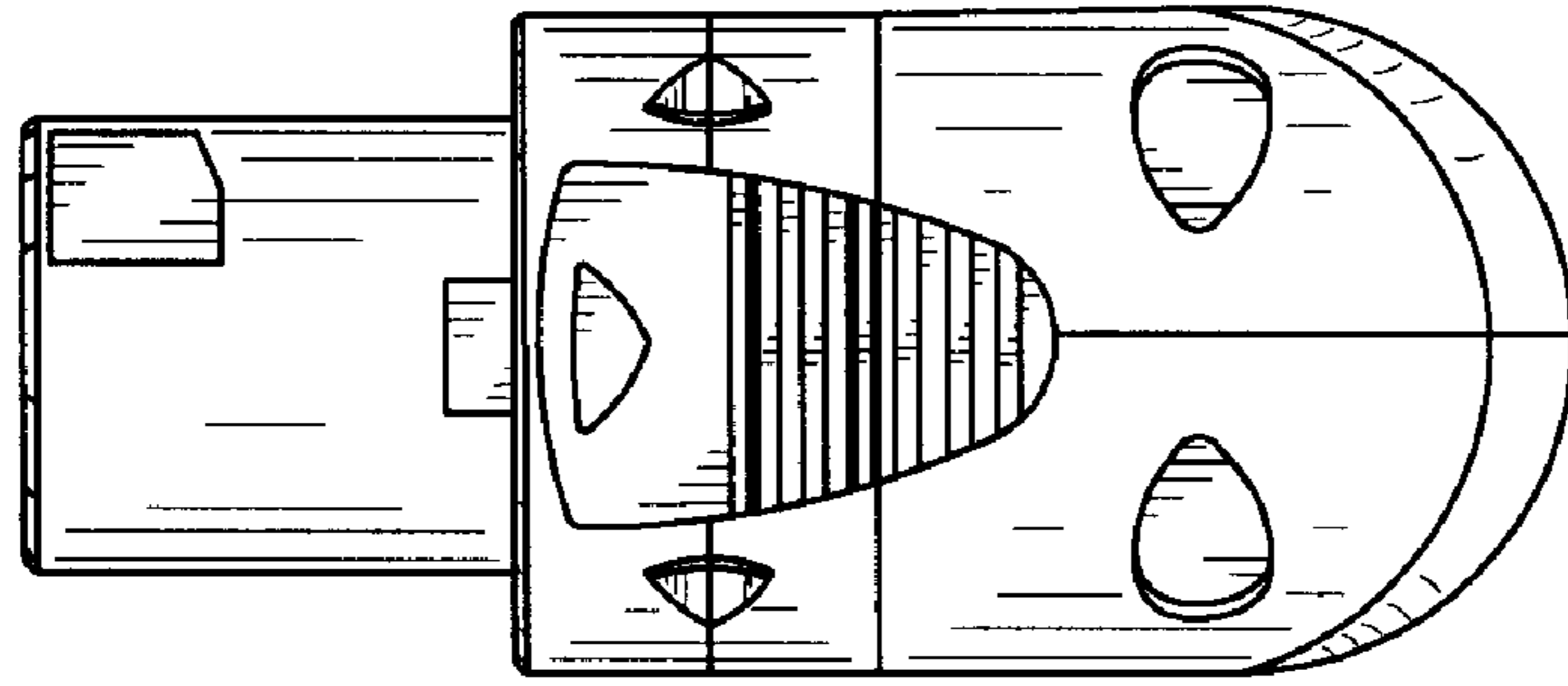


FIG. 2

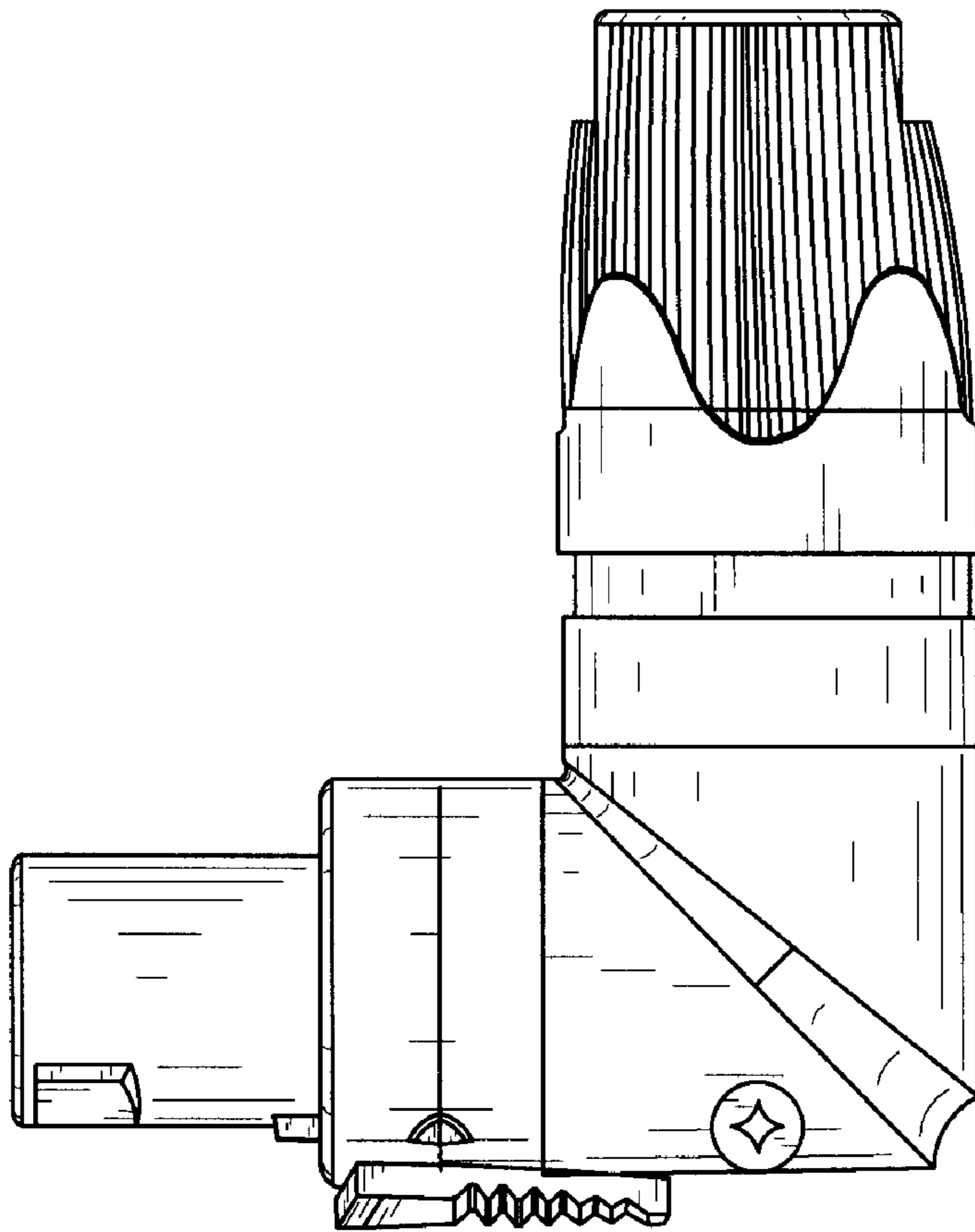


FIG. 1

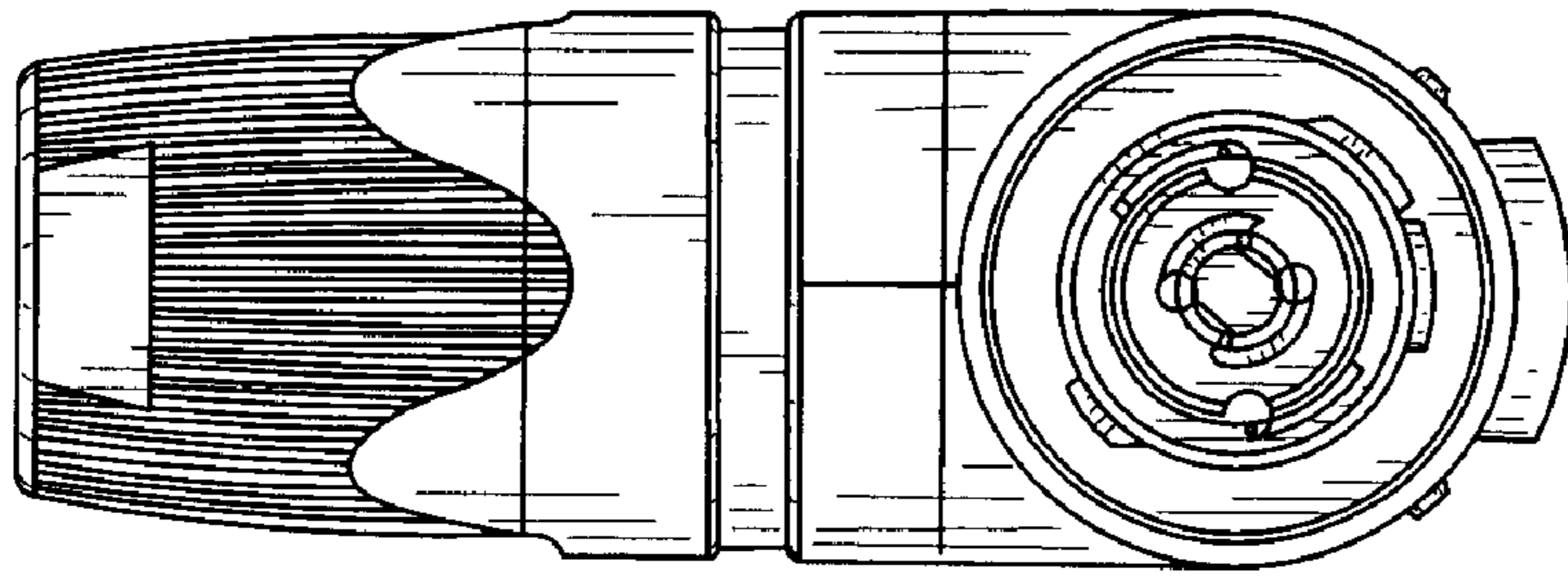


FIG. 5

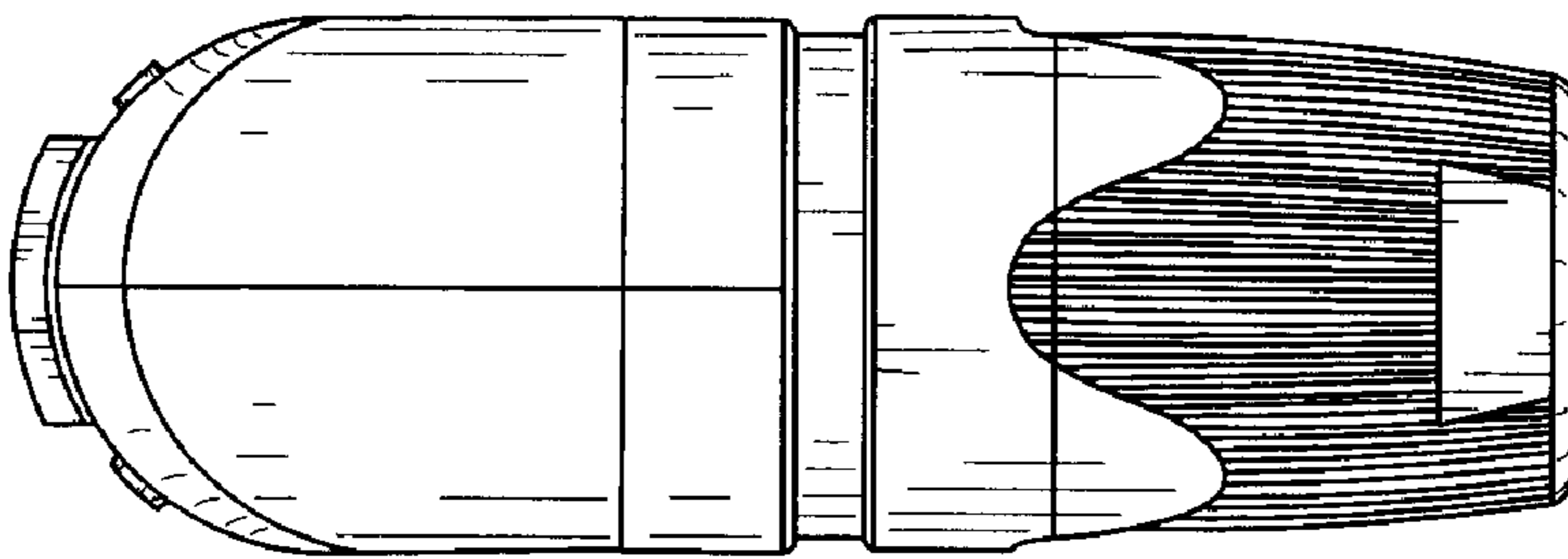


FIG. 3

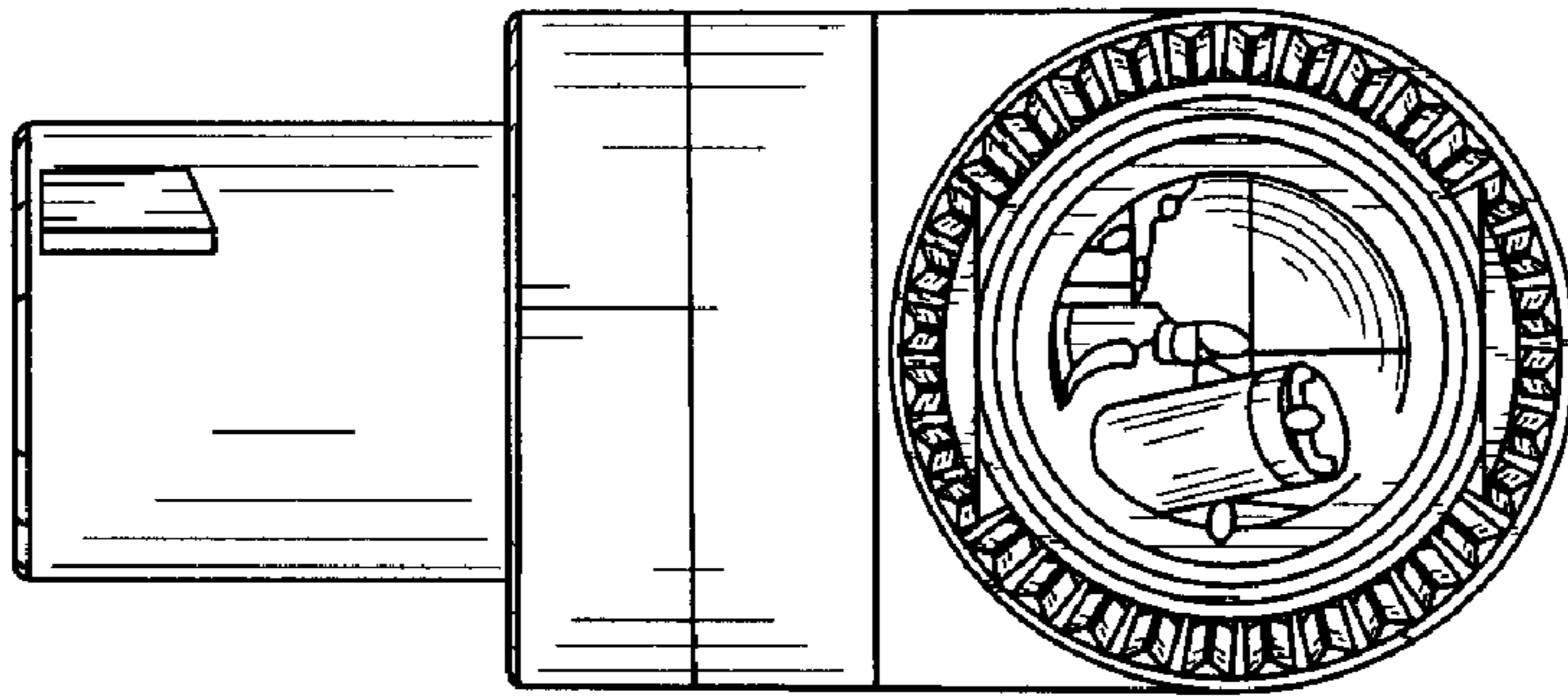


FIG. 6

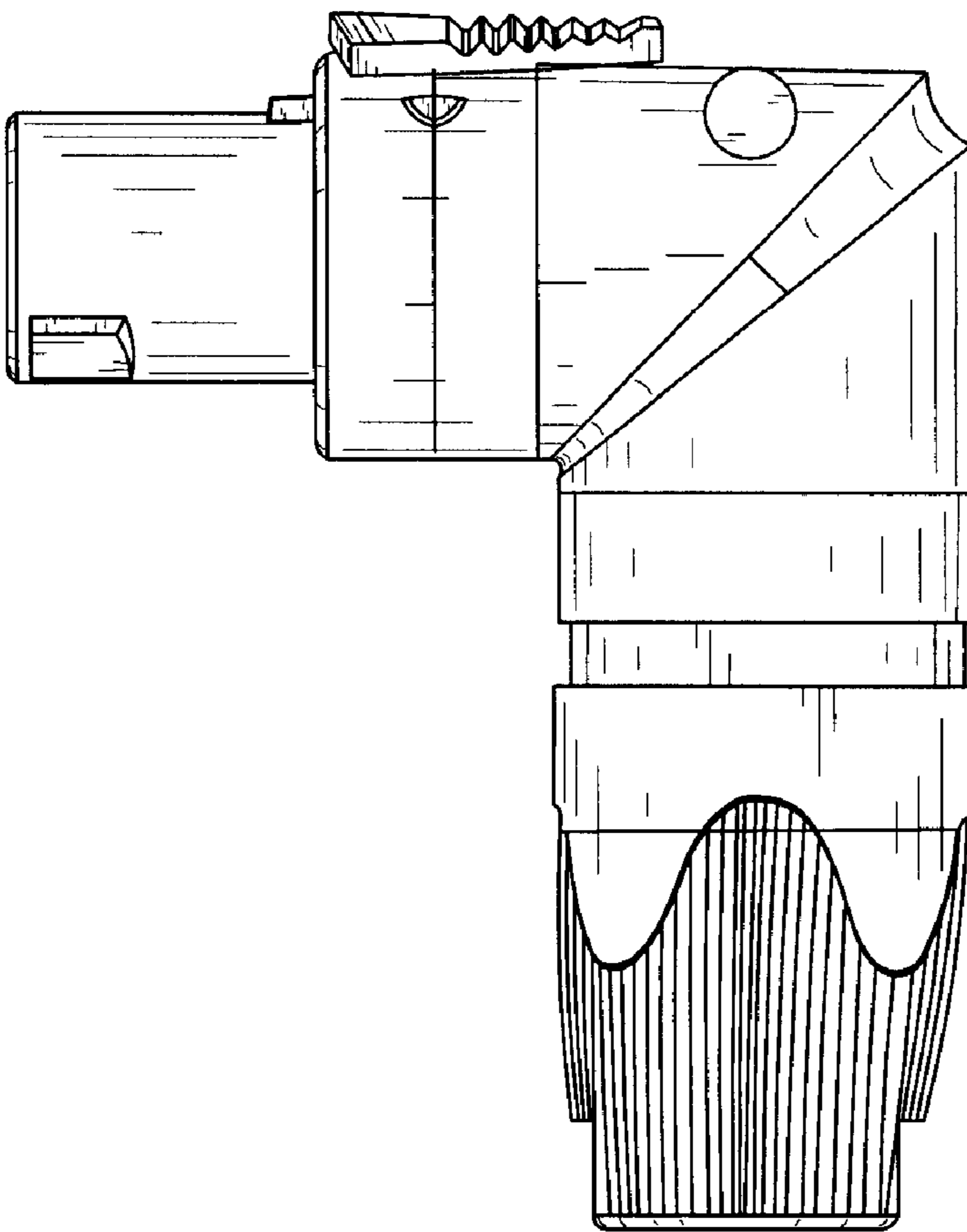


FIG. 4

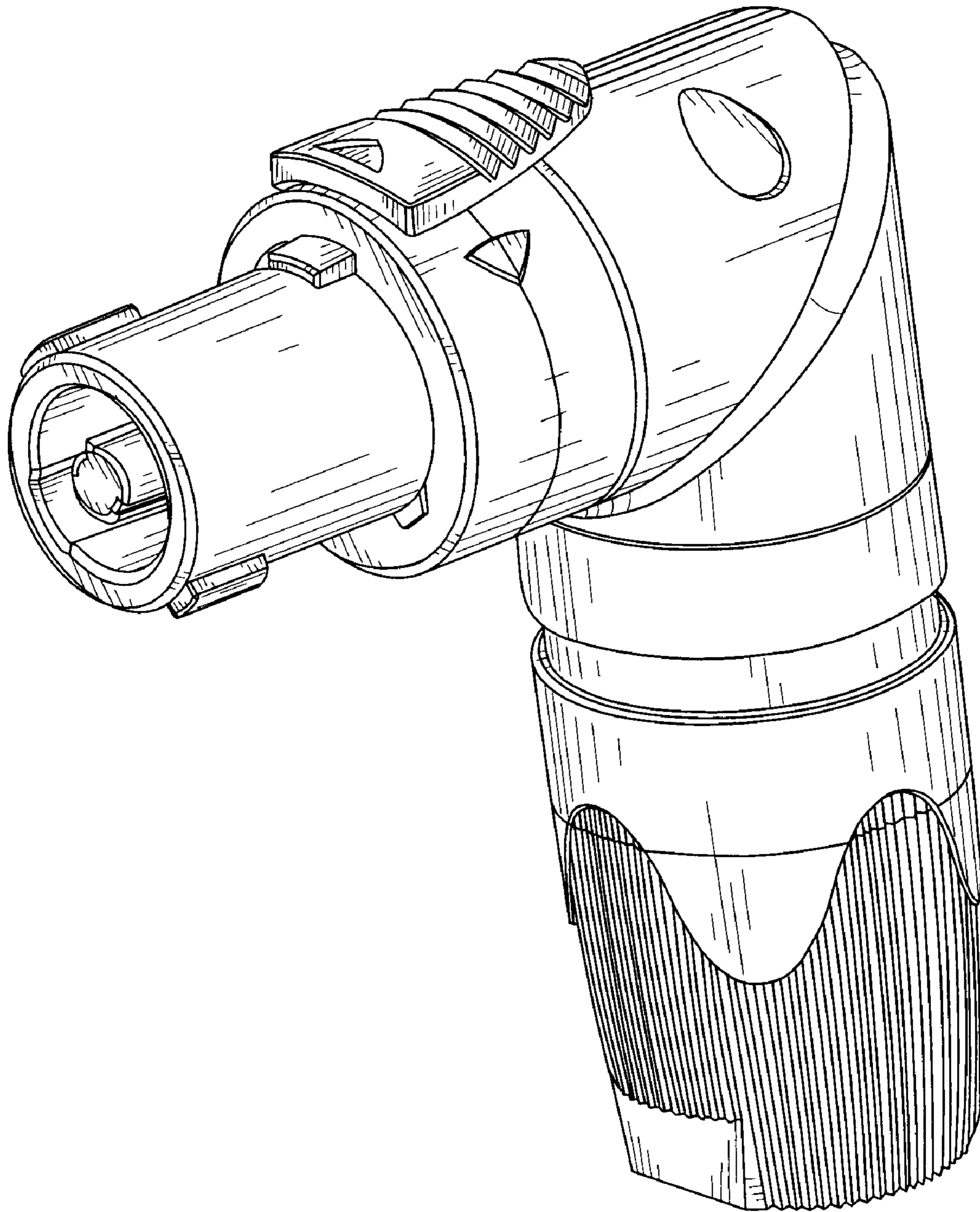


FIG. 7