



US00D514068S

(12) **United States Design Patent**
Scheller et al.

(10) **Patent No.:** **US D514,068 S**
(45) **Date of Patent:** **** Jan. 31, 2006**

(54) **WIRING CONNECTOR**

(75) Inventors: **Daniel L. Scheller**, Emporia, KS (US);
Robert Lavington, Emporia, KS (US)

(73) Assignee: **Antares Capital Corporation**,
Chicago, IL (US)

(**) Term: **14 Years**

(21) Appl. No.: **29/196,031**

(22) Filed: **Dec. 17, 2003**

(51) **LOC (8) Cl.** **13-03**

(52) **U.S. Cl.** **D13/147**

(58) **Field of Classification Search** D13/123,
D13/133, 146-147, 149, 154, 184, 199; 439/139,
439/142, 149, 152, 180, 252, 259, 299, 310,
439/344, 347, 378, 404, 418, 460, 676, 941
See application file for complete search history.

(56) **References Cited**

U.S. PATENT DOCUMENTS

4,332,432	A	*	6/1982	Colleran	439/347
5,083,933	A	*	1/1992	Colleran et al.	439/357
5,201,674	A	*	4/1993	Okura	439/595
6,080,007	A	*	6/2000	Dupuis et al.	439/418
6,102,739	A	*	8/2000	Murakami	439/587
6,273,729	B1	*	8/2001	Kelly	439/36

* cited by examiner

Primary Examiner—Prabhakar Deshmukh

Assistant Examiner—Daniel Bui

(74) *Attorney, Agent, or Firm*—Thomas B. Luebbering

(57) **CLAIM**

The ornamental design for a wiring connector, as shown and described.

DESCRIPTION

FIG. 1 is a rear perspective view of a wiring connector, showing the male portion, according to our new design;

FIG. 2 is a front perspective view thereof;

FIG. 3 is a front perspective view thereof, with the removable panel partially exposed;

FIG. 4 is a top plan view thereof, without the removable panel;

FIG. 5 is a first side elevation view thereof;

FIG. 6 is a front elevation view thereof;

FIG. 7 is a bottom plan view thereof;

FIG. 8 is a second side elevation view thereof;

FIG. 9 is a rear elevation view thereof;

FIG. 10 is a top plan view of the removable panel;

FIG. 11 is a front elevation view thereof;

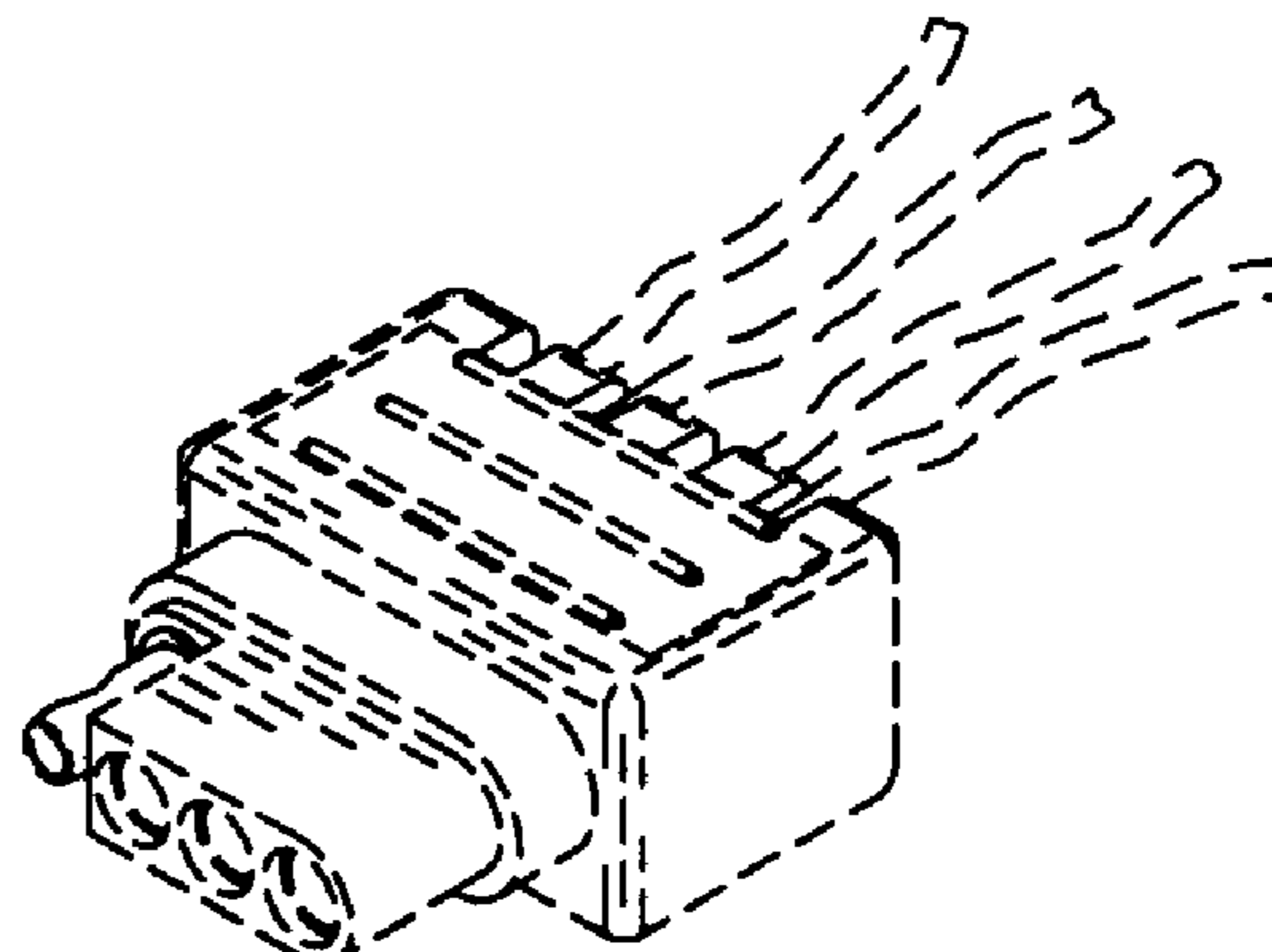
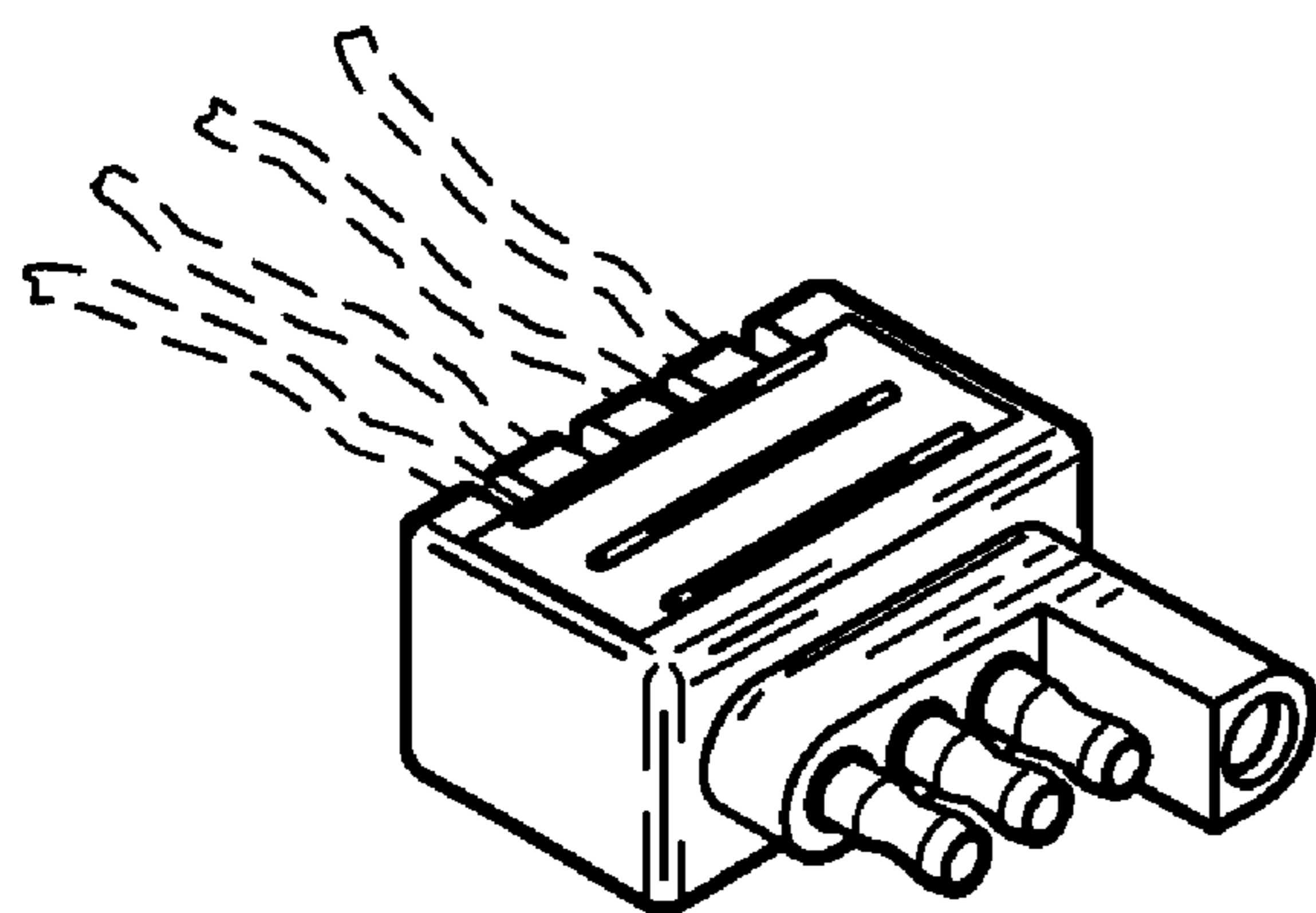
FIG. 12 is a side elevation view thereof; and,

FIG. 13 is a bottom plan view thereof.

The removable panel shown separately in FIGS. 10, 11, 12 and 13 is for clarify of illustration only.

The broken line showing of the environment is for illustrative purposes only and forms no part of the claimed design.

1 Claim, 4 Drawing Sheets



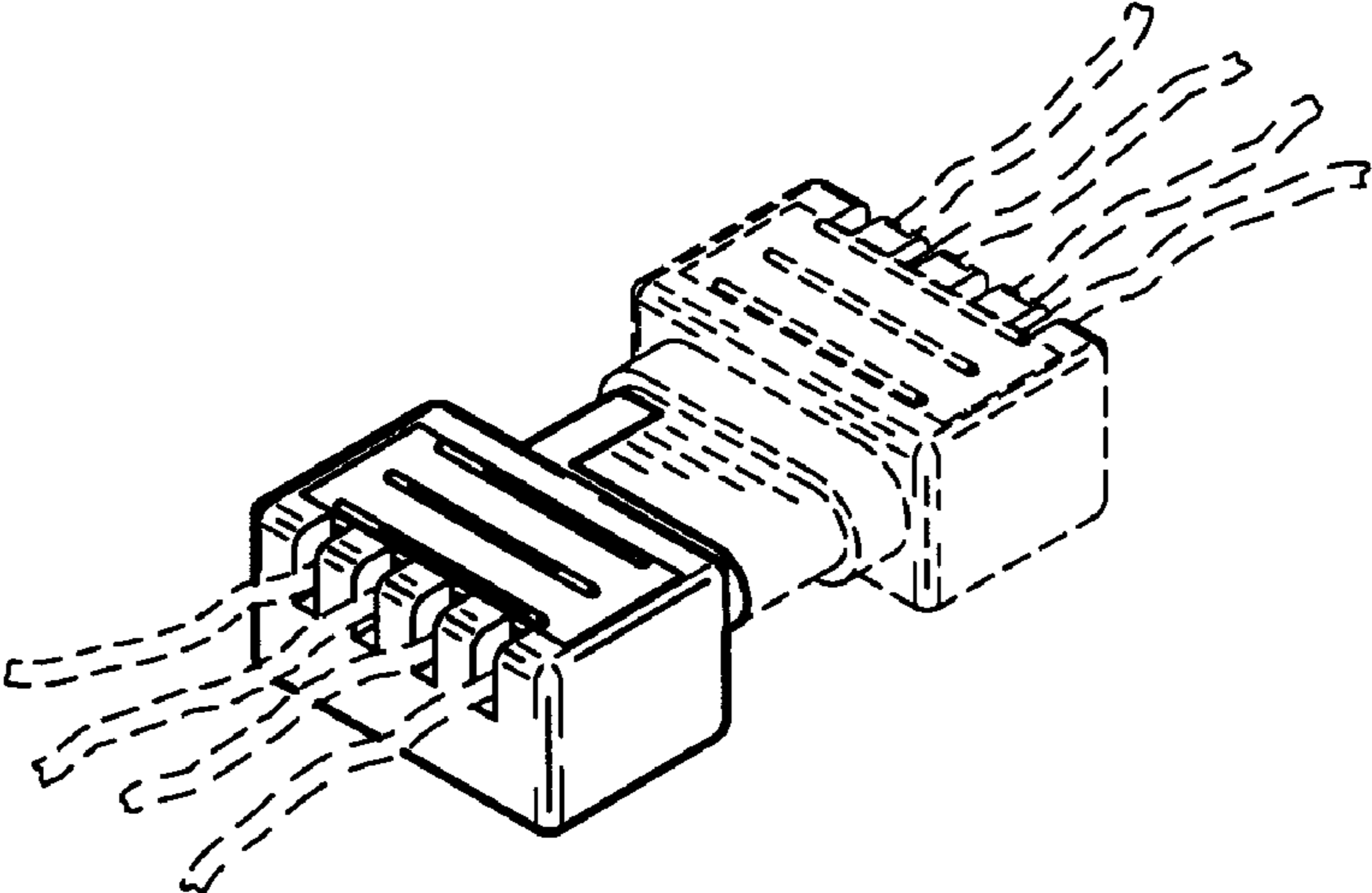


FIG. 1

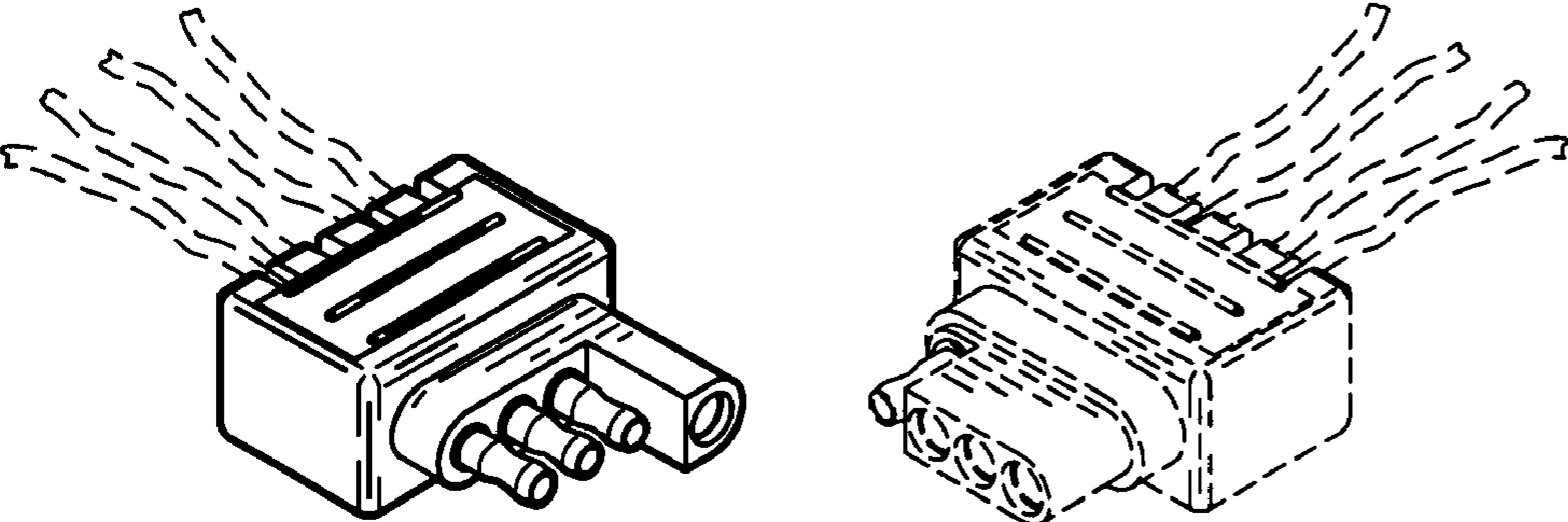


FIG. 2

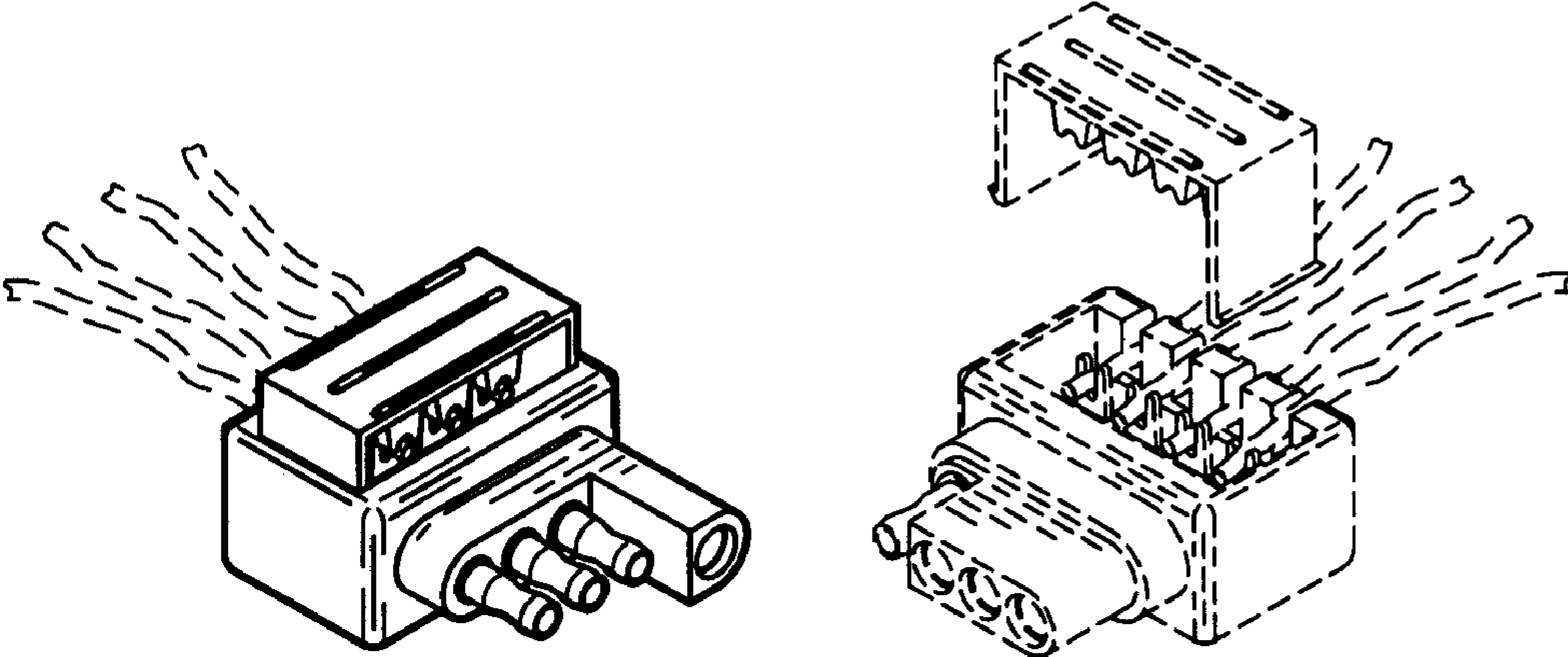


FIG. 3

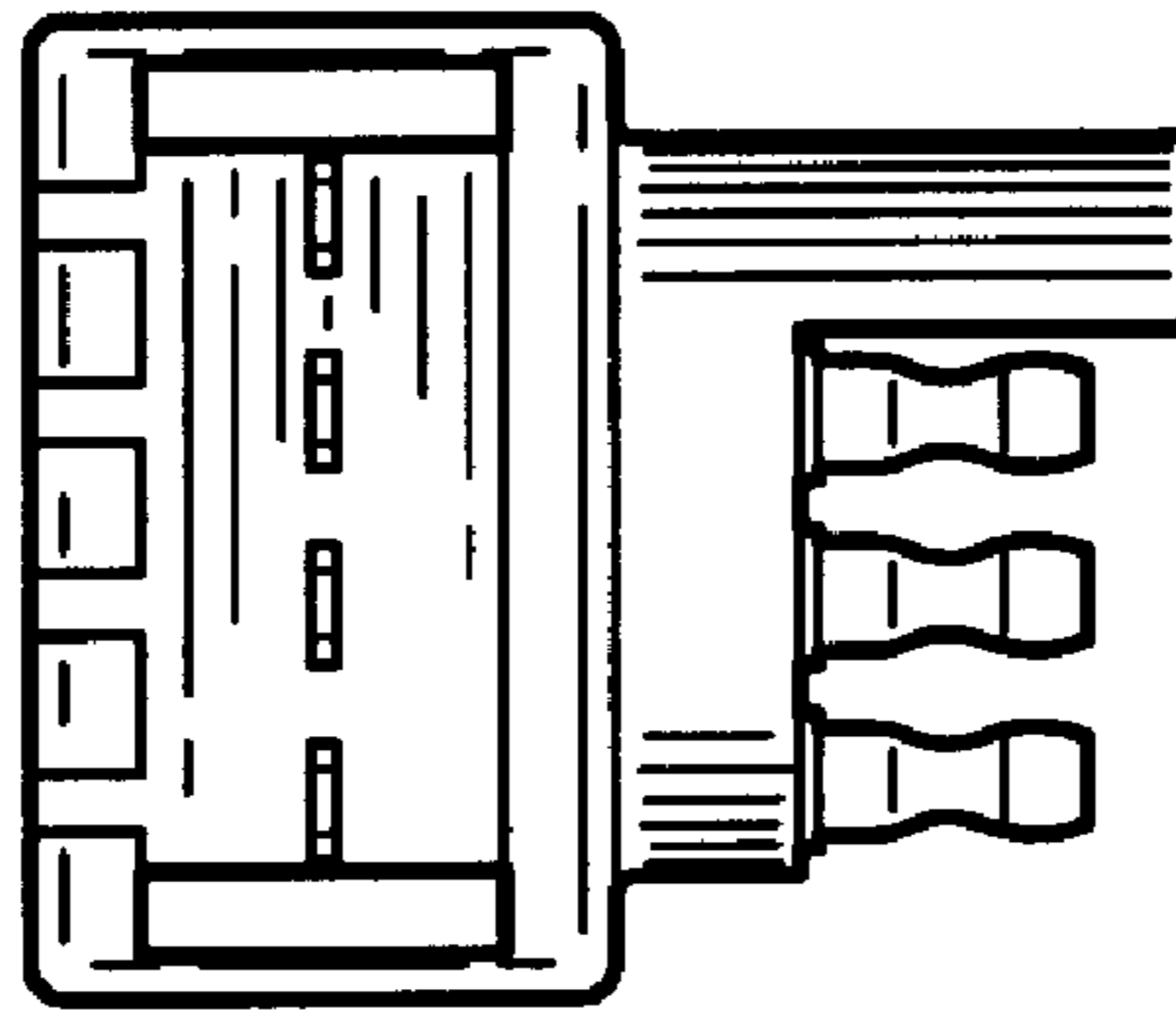


FIG. 4

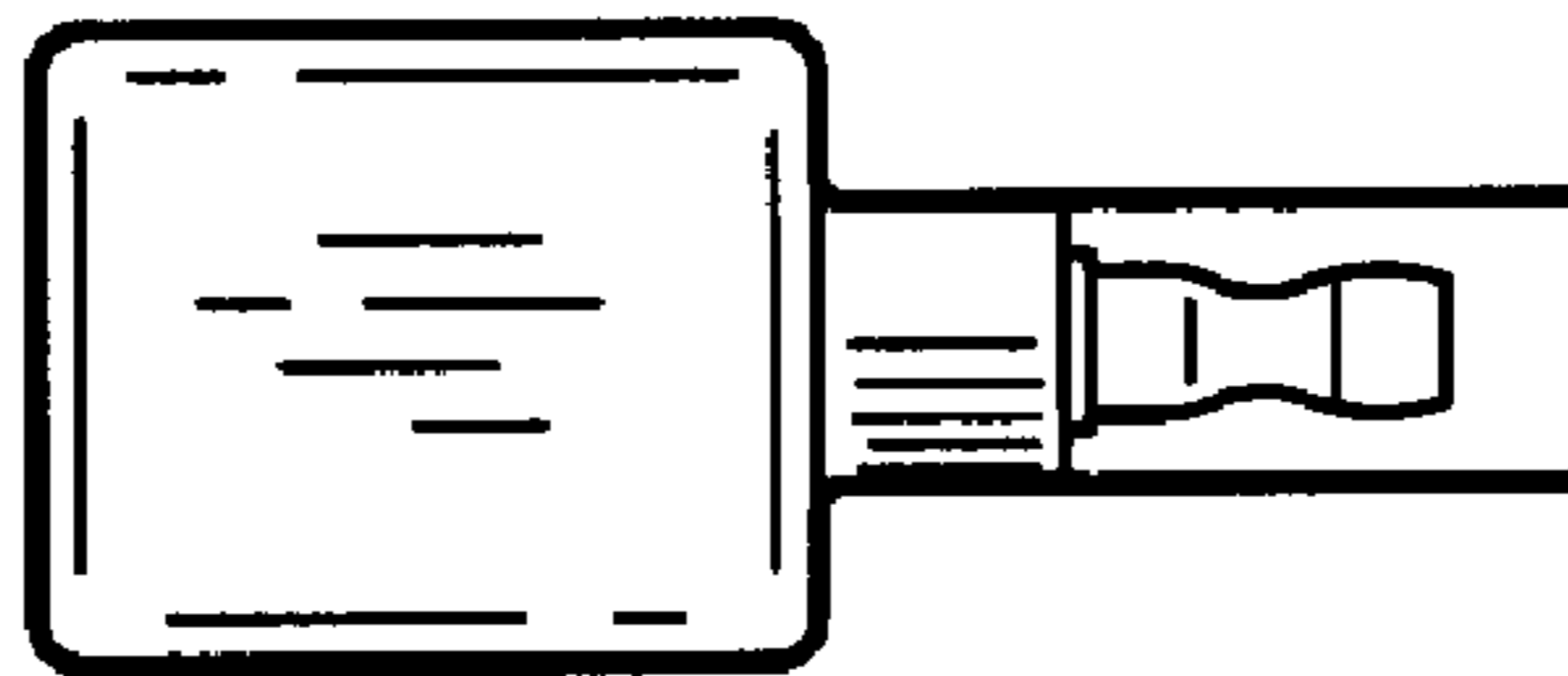


FIG. 5

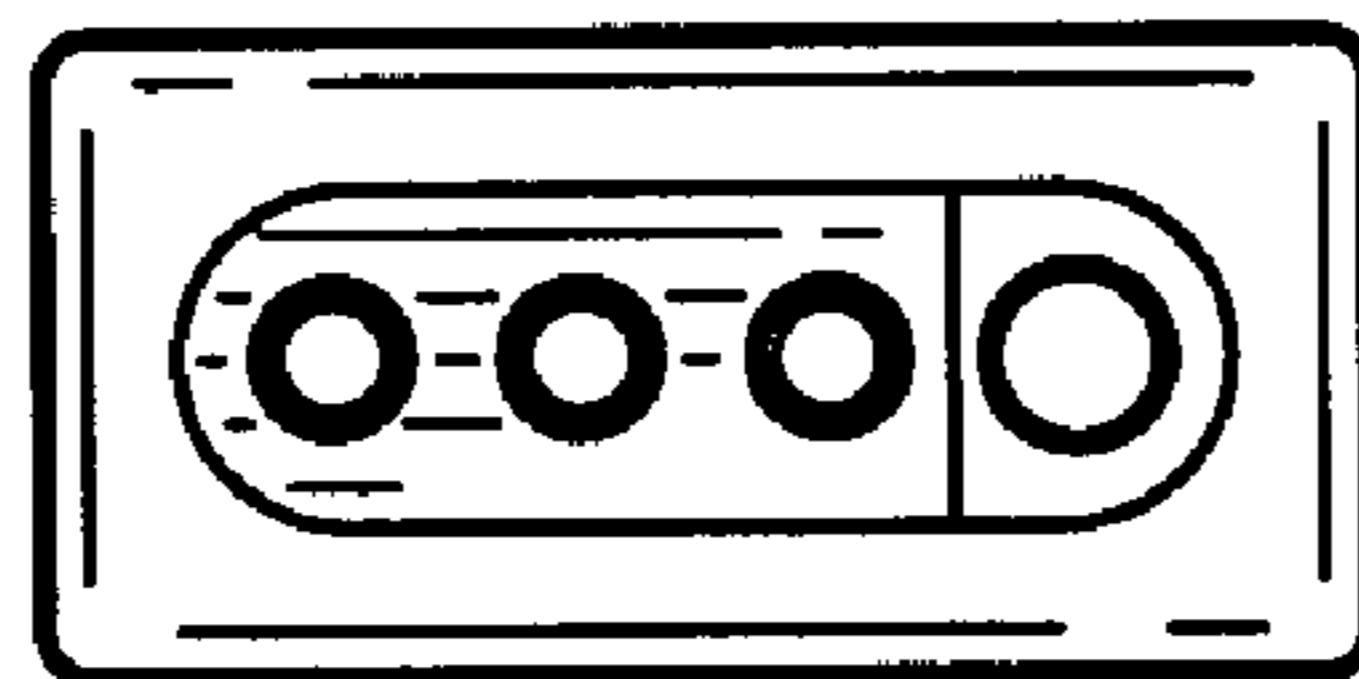


FIG. 6

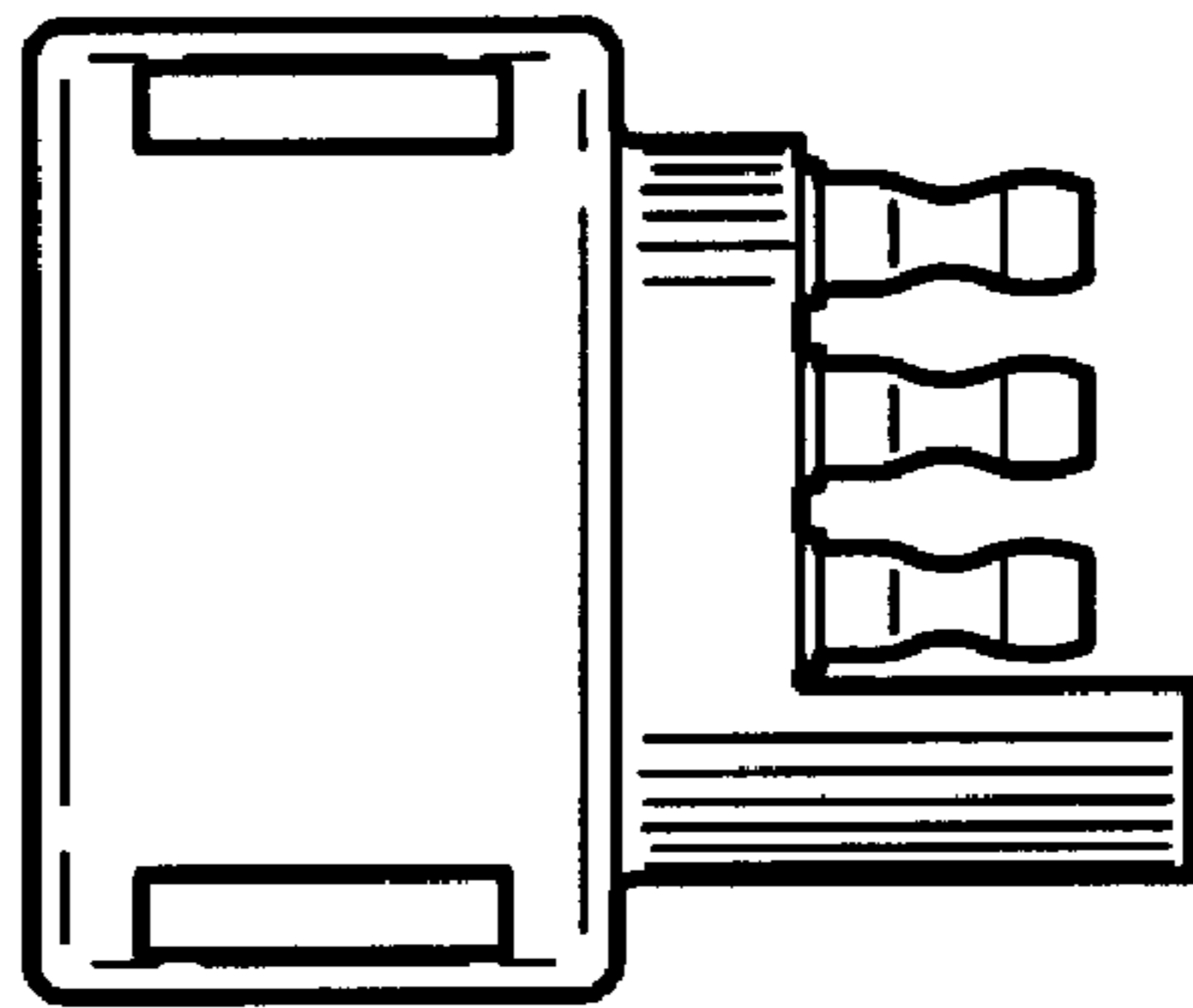


FIG. 7

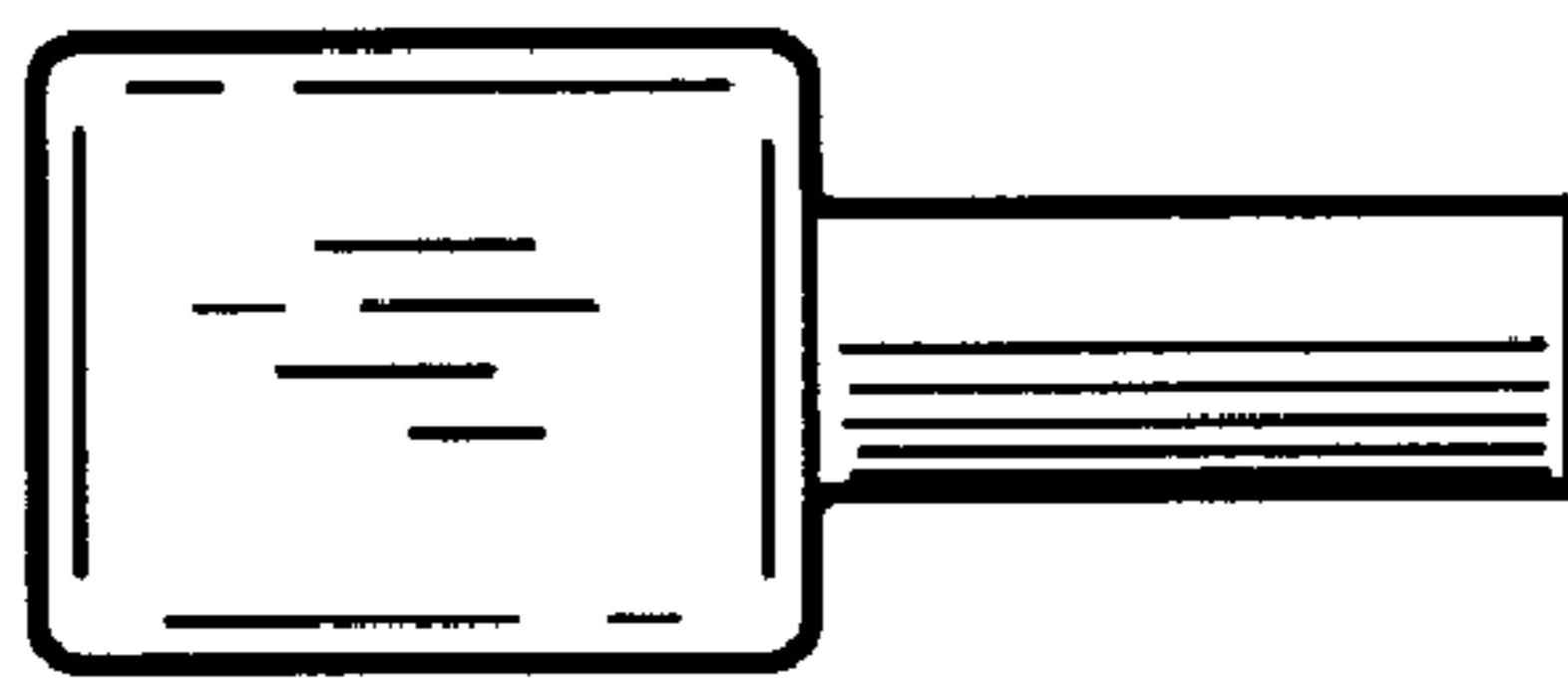


FIG. 8

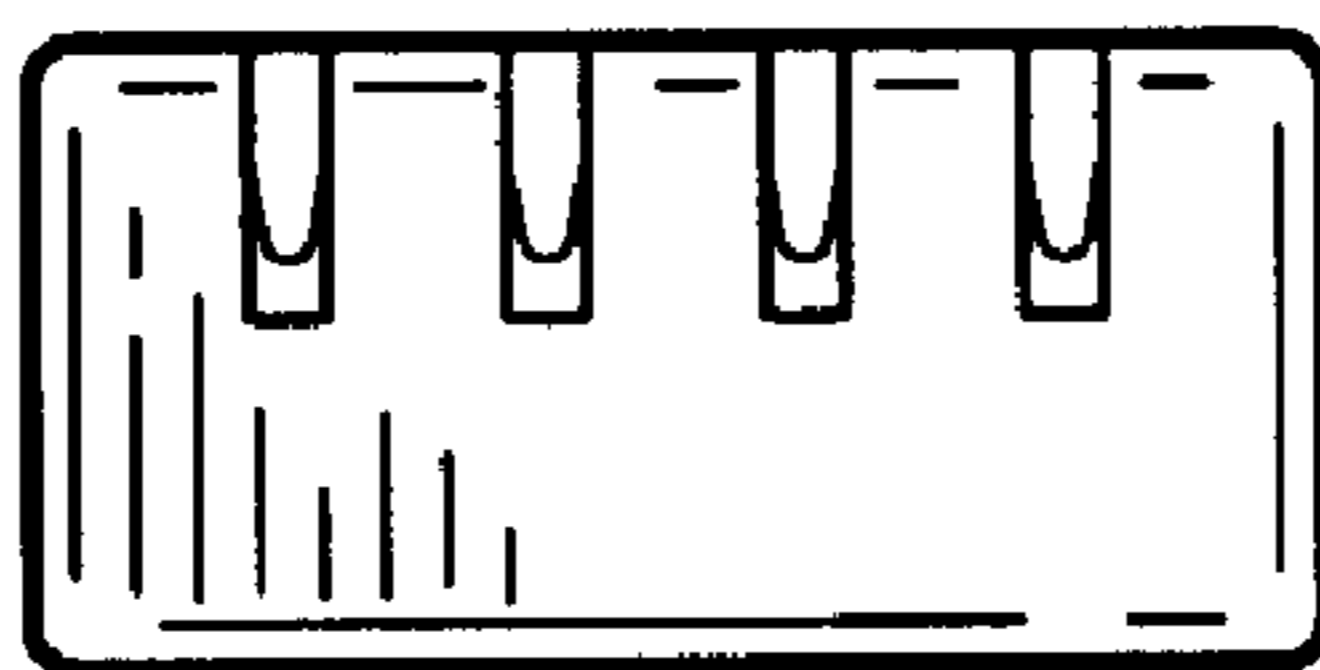


FIG. 9

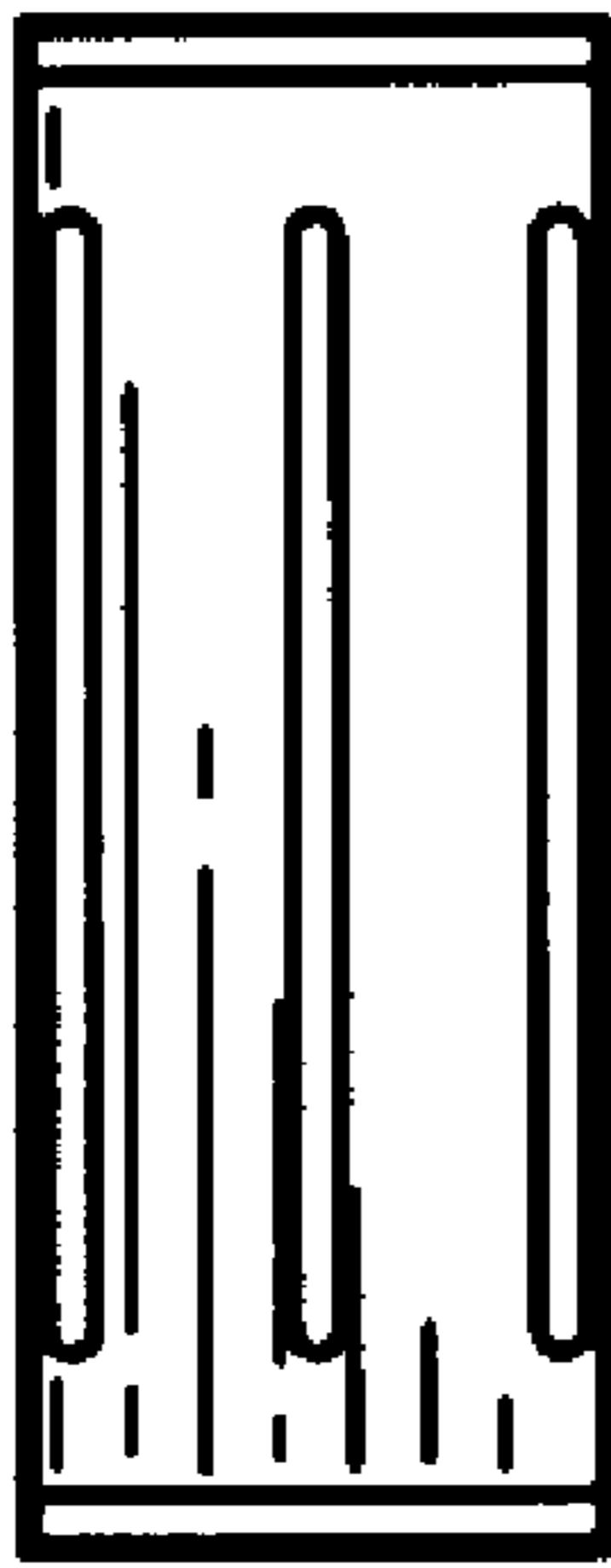


FIG. 10

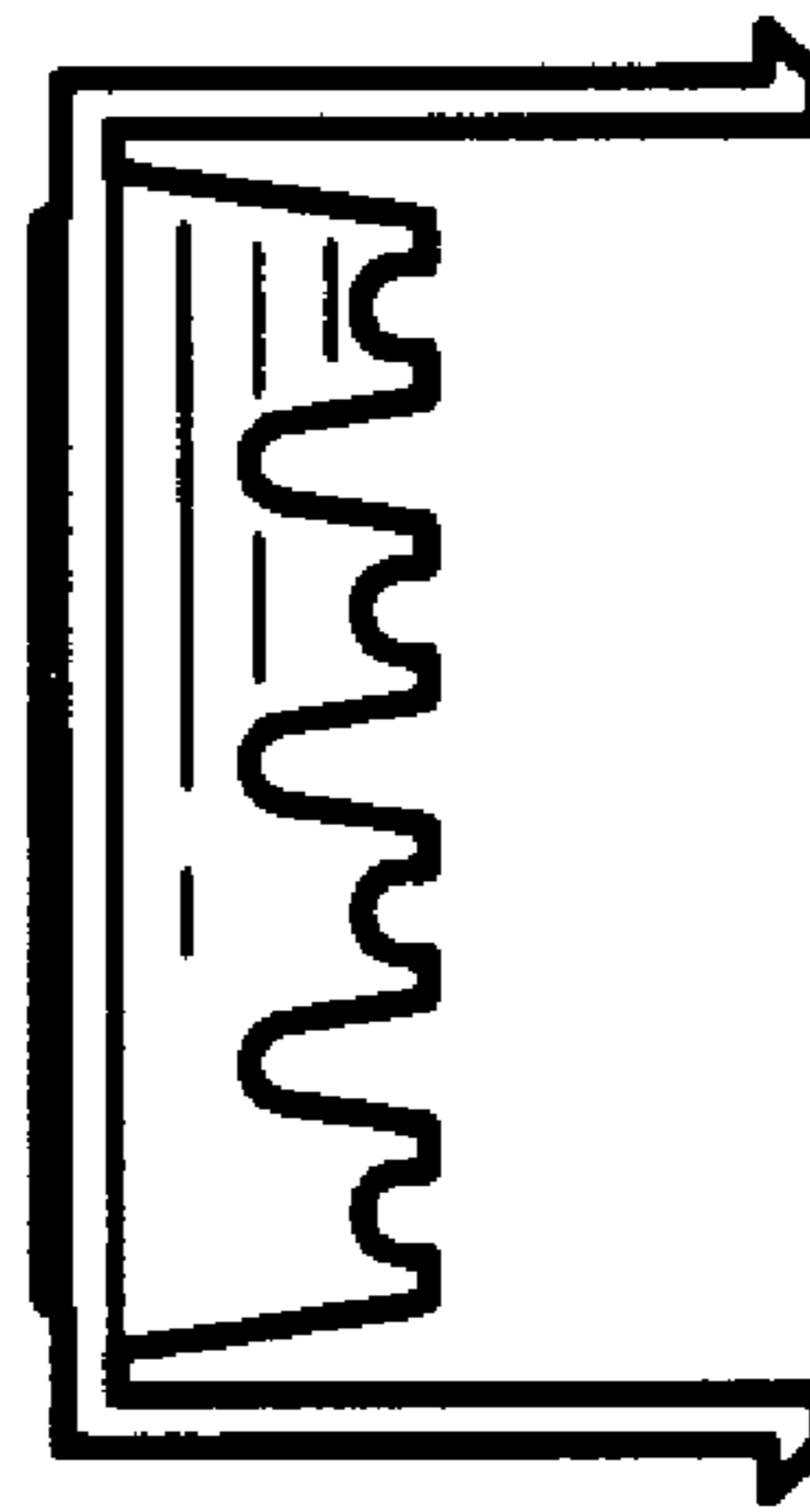


FIG. 11



FIG. 12

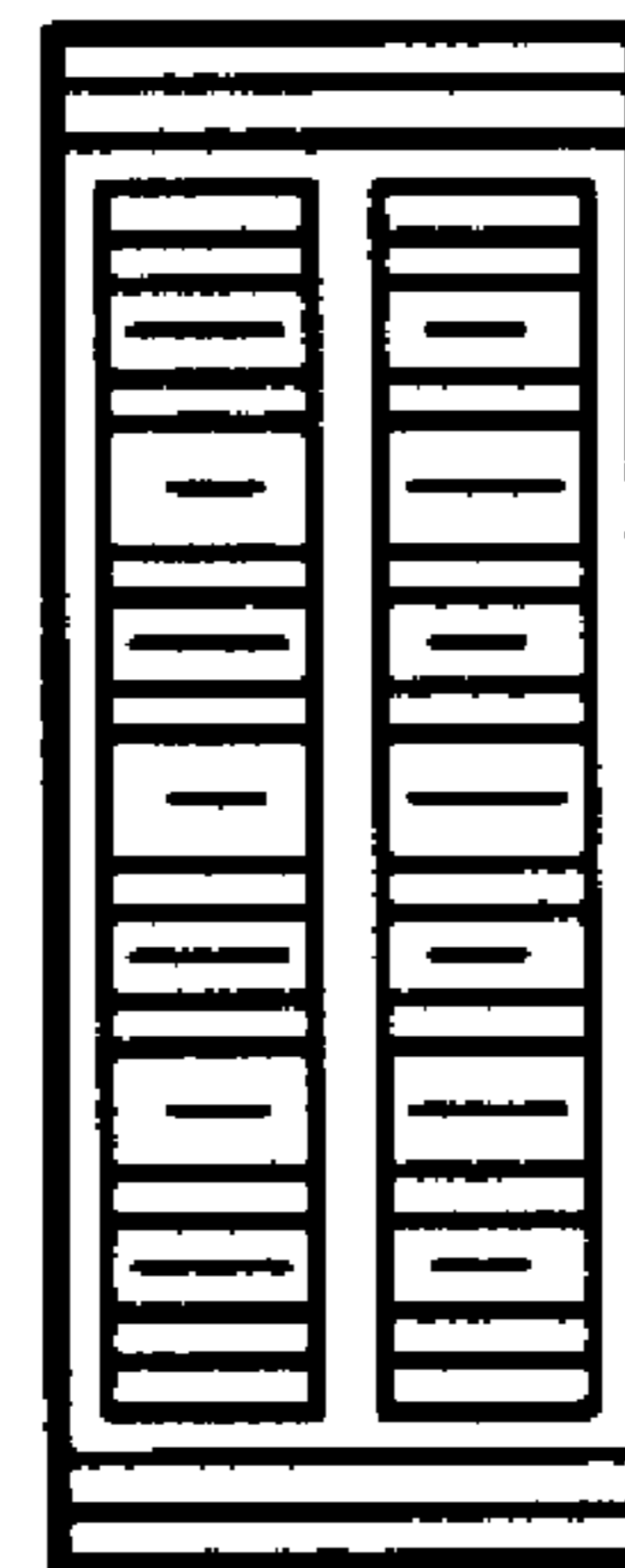


FIG. 13

UNITED STATES PATENT AND TRADEMARK OFFICE
CERTIFICATE OF CORRECTION

PATENT NO. : Des. 514,068 S
APPLICATION NO. : 29/196031
DATED : January 31, 2006
INVENTOR(S) : Daniel L. Scheller and Robert Lavington

Page 1 of 1

It is certified that error appears in the above-identified patent and that said Letters Patent is hereby corrected as shown below:

On the title page item (73), should read Hopkins Manufacturing Corporation, Emporia, KS (US)

Signed and Sealed this

Sixth Day of November, 2007

A handwritten signature in black ink on a light gray dotted background. The signature reads "Jon W. Dudas" in a cursive style.

JON W. DUDAS

Director of the United States Patent and Trademark Office