



US00D514064S

(12) **United States Design Patent**  
**Wiskerke**

(10) **Patent No.:** **US D514,064 S**  
(45) **Date of Patent:** **\*\* Jan. 31, 2006**

(54) **END CAP FOR FLUORESCENT LAMP**

(75) **Inventor:** **Pieter J. Wiskerke, Middelburg (NL)**

(73) **Assignee:** **Koninklijke Philips Electronics, N.V.,  
Eindhoven (NL)**

(\*\*) **Term:** **14 Years**

(21) **Appl. No.:** **29/193,361**

(22) **Filed:** **Nov. 7, 2003**

(30) **Foreign Application Priority Data**

May 14, 2003 (EM) ..... 19872

(51) **LOC (8) Cl.** ..... **13-03**

(52) **U.S. Cl.** ..... **D13/134**

(58) **Field of Classification Search** ..... D13/123,  
D13/133-136, 154-156, 184, 199; D26/1-4,  
D26/75-76; 313/51, 318.01, 318.07, 318.09,  
313/318.11, 313-320; 439/135, 226, 611-612  
See application file for complete search history.

(56) **References Cited**

**U.S. PATENT DOCUMENTS**

4,078,944 A \* 3/1978 Mlavsky ..... 136/246  
D275,948 S \* 10/1984 Vakil ..... D13/135  
4,542,947 A \* 9/1985 Flor et al. .... 439/232

4,695,768 A \* 9/1987 Covington et al. .... 315/73  
D294,019 S \* 2/1988 Futatsugi et al. .... D13/134  
D296,207 S \* 6/1988 Futatsugi et al. .... D13/134  
D304,716 S \* 11/1989 Johnson et al. .... D13/134  
D377,005 S \* 12/1996 Lin ..... D13/134  
D397,811 S \* 9/1998 Vakil ..... D26/3  
D405,415 S \* 2/1999 Henrici et al. .... D13/134  
D448,096 S \* 9/2001 Choi ..... D26/3  
D448,499 S \* 9/2001 Choi ..... D26/3  
D487,252 S \* 3/2004 Schweitzer ..... D13/134

\* cited by examiner

*Primary Examiner*—Stella Reid  
*Assistant Examiner*—Daniel Bui

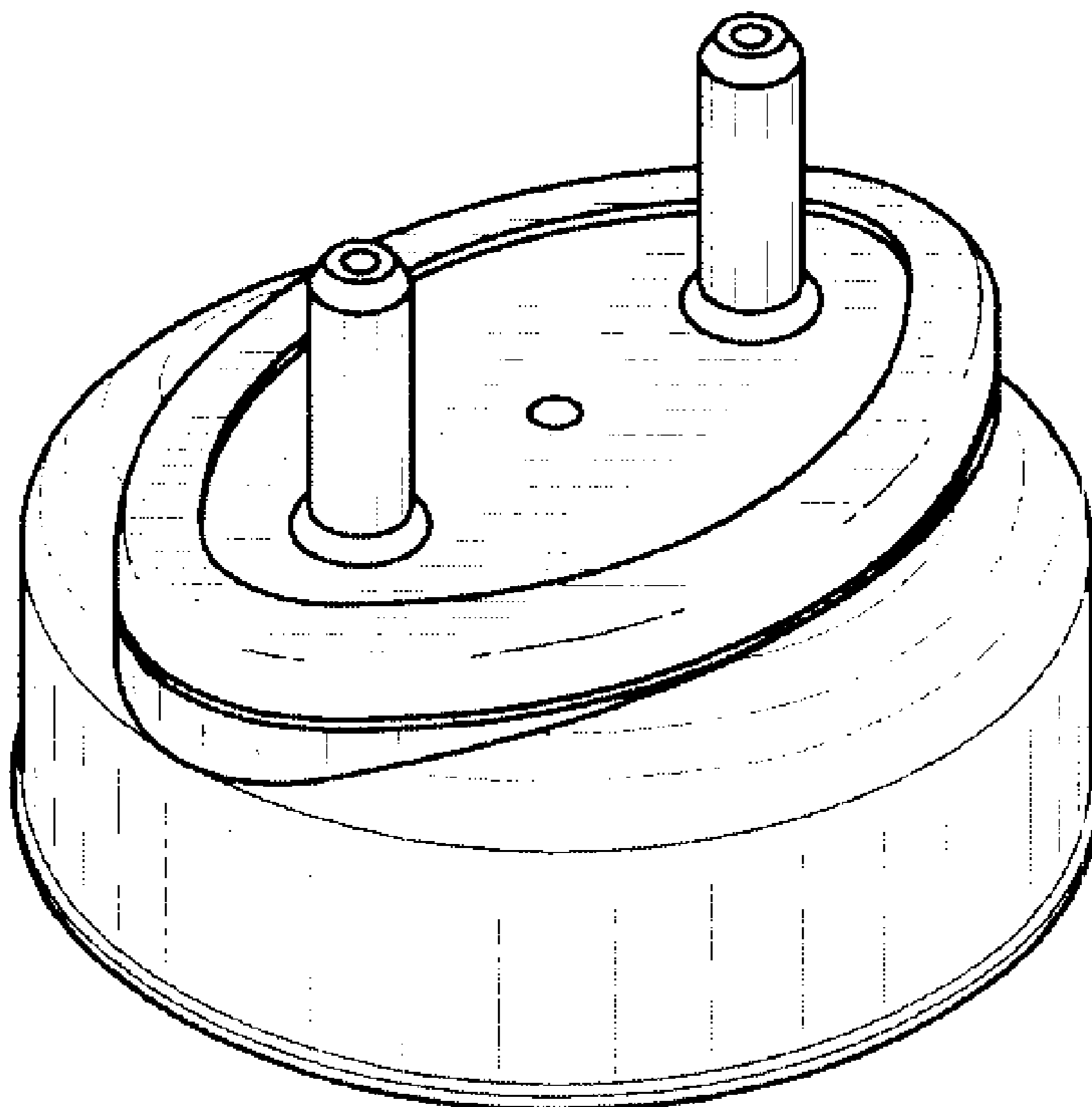
(57) **CLAIM**

The ornamental design for an end cap for fluorescent lamp,  
as shown.

**DESCRIPTION**

FIG. 1 is a perspective view of an end cap for fluorescent  
lamp showing my design;  
FIG. 2 is a front elevation view thereof;  
FIG. 3 is a rear elevation view thereof;  
FIG. 4 is a right side elevation view thereof;  
FIG. 5 is a left side elevation view thereof; and,  
FIG. 6 is a top plan view thereof.

**1 Claim, 2 Drawing Sheets**



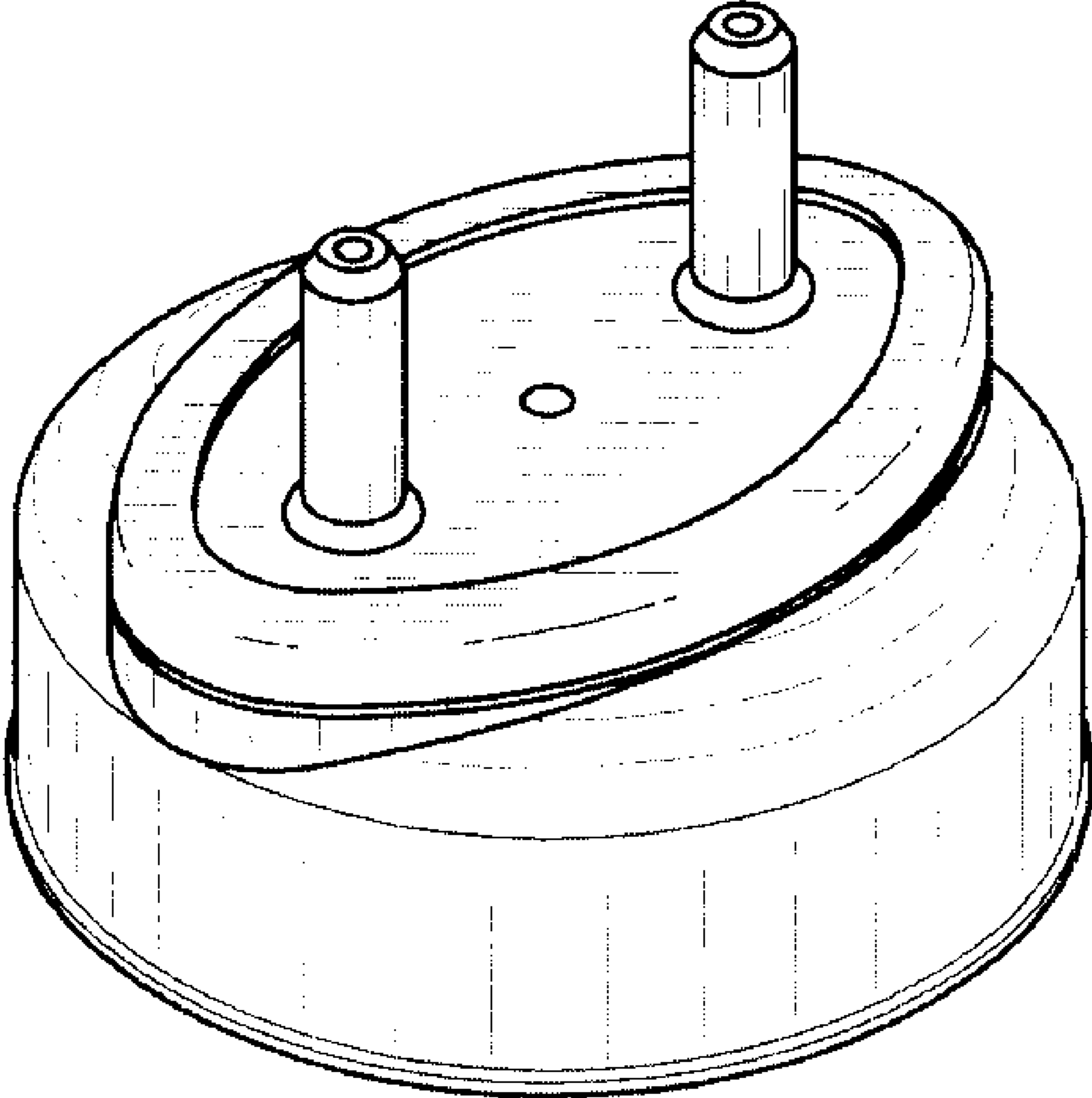


FIG. 1

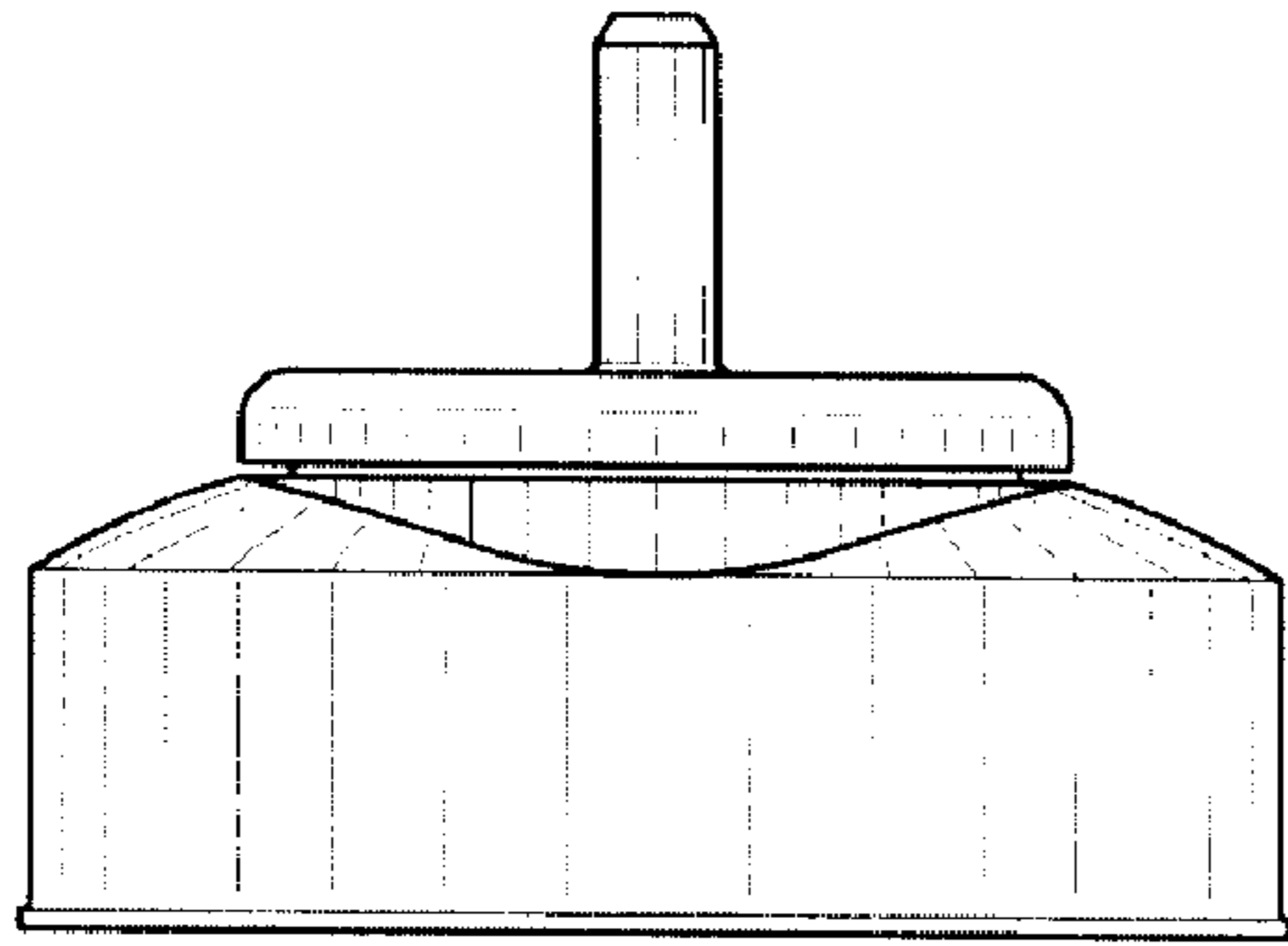


FIG. 2

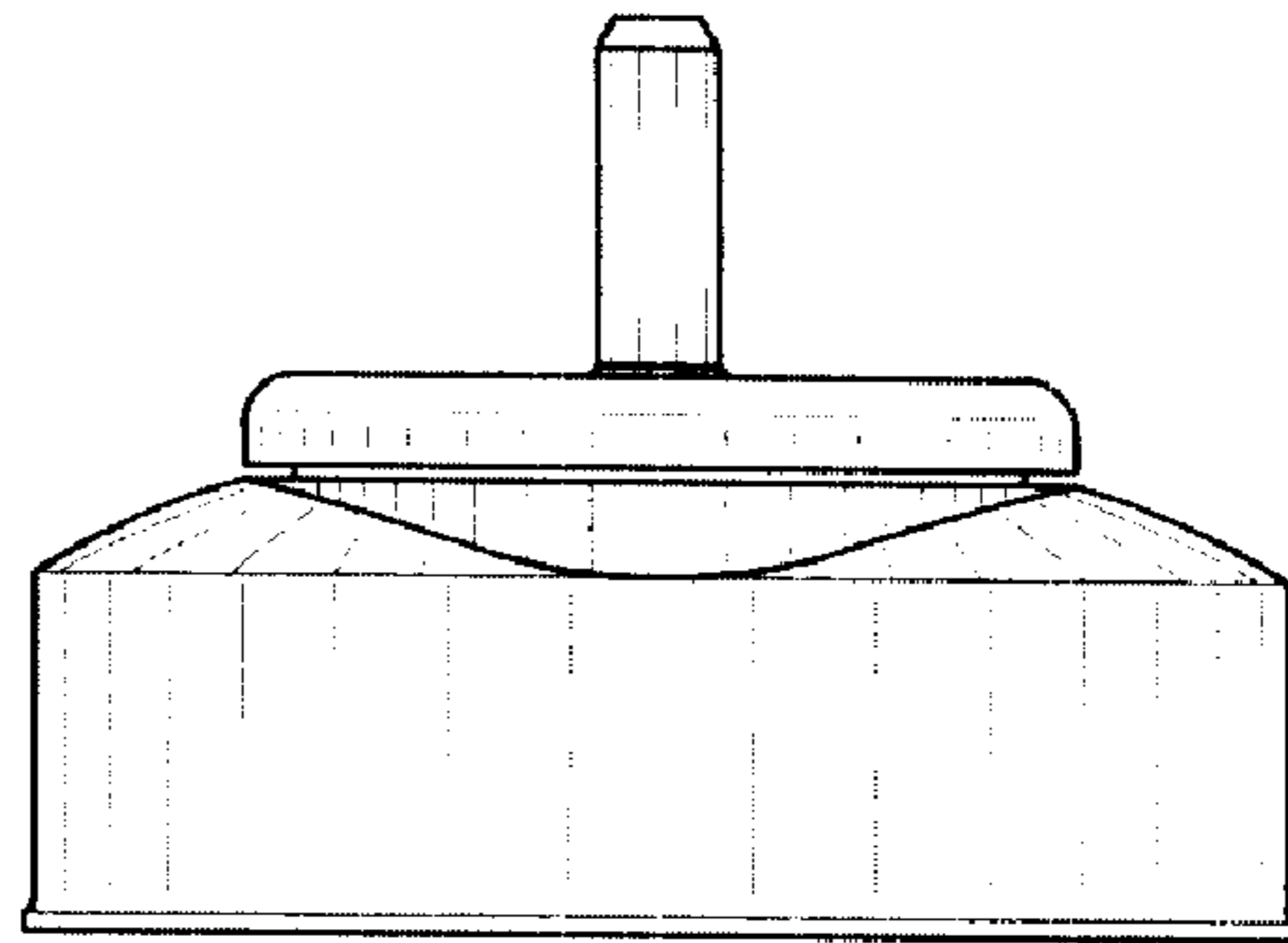


FIG. 3

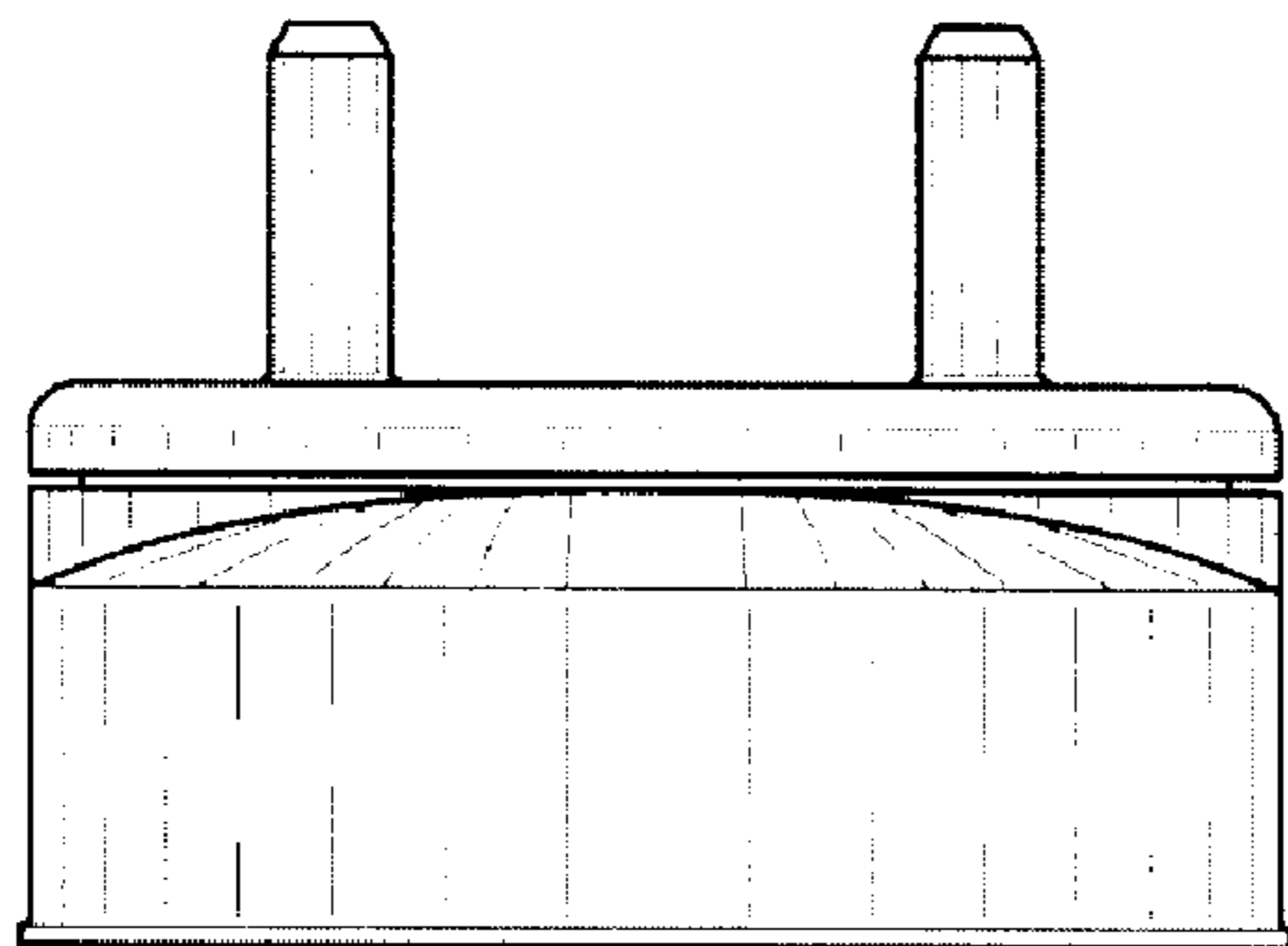


FIG. 4

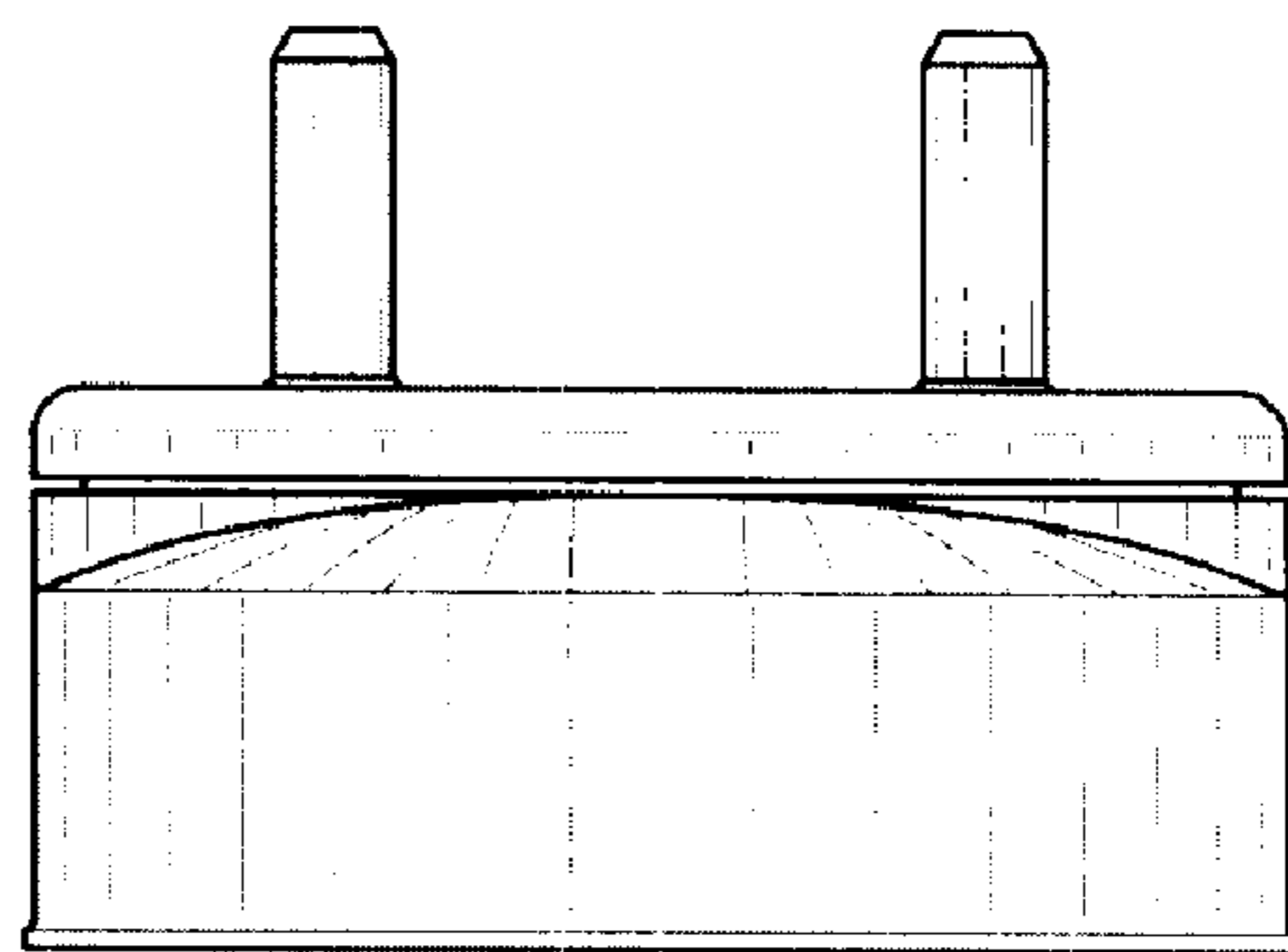


FIG. 5

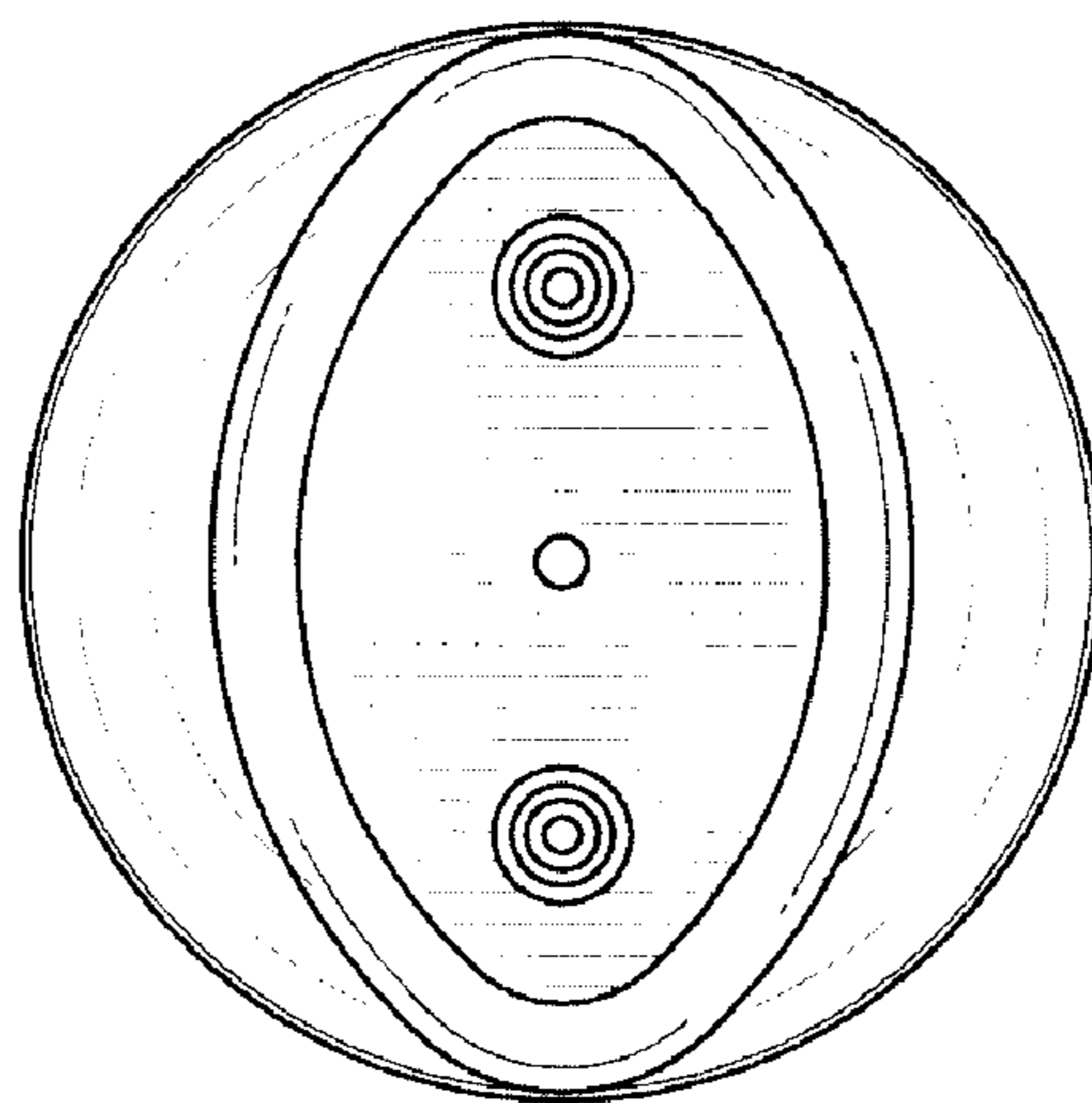


FIG. 6