



US00D514063S

(12) **United States Design Patent**
Rubin et al.

(10) **Patent No.:** **US D514,063 S**
(45) **Date of Patent:** **** Jan. 31, 2006**

(54) **MICRO-FLASHLIGHT DOCKING STATION**

(75) Inventors: **Bennett S. Rubin**, Pepper Pike, OH (US); **Ronald Rich**, Burton, OH (US)

(73) Assignee: **Crestwood Partners, LLC**, Mayfield Village, OH (US)

(**) Term: **14 Years**

(21) Appl. No.: **29/205,171**

(22) Filed: **May 11, 2004**

(51) **LOC (8) Cl.** **13-02**

(52) **U.S. Cl.** **D13/108**

(58) **Field of Classification Search** D13/107-110,
D13/118-119, 184; D14/251, 253, 432, 434;
320/107-115

See application file for complete search history.

(56) **References Cited**

U.S. PATENT DOCUMENTS

- D432,528 S * 10/2000 Hartman et al. D14/243
- D445,781 S * 7/2001 Peiker D14/253
- D466,122 S * 11/2002 Moody D14/434

- D469,427 S * 1/2003 Ma et al. D14/253
- 2004/0195999 A1 * 10/2004 Parker 320/107

* cited by examiner

Primary Examiner—Alan P. Douglas

Assistant Examiner—Rosemary Tarcza

(74) *Attorney, Agent, or Firm*—Smith, Gambrell & Russell, LLP

(57) **CLAIM**

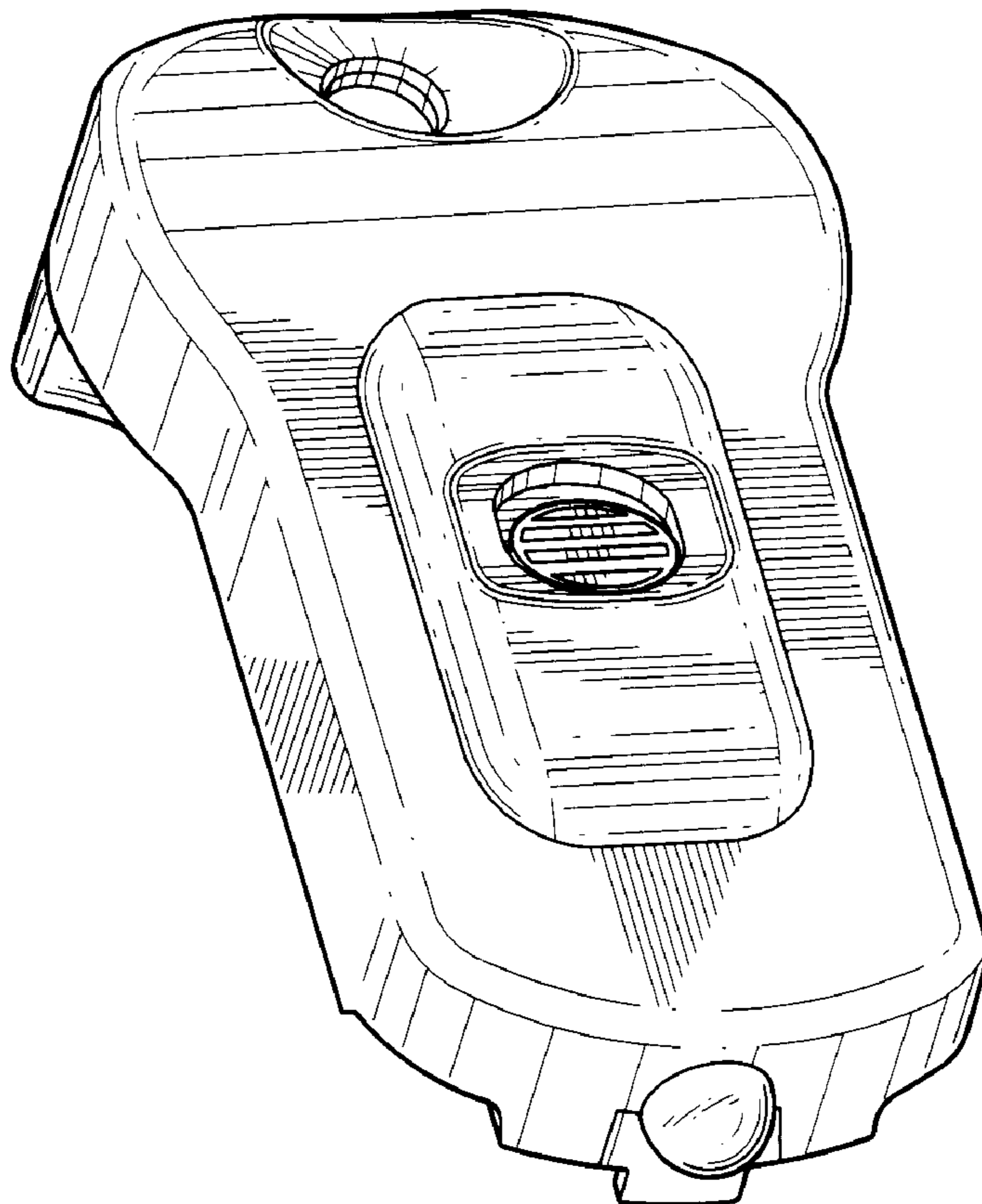
The ornamental design for a micro-flashlight docking station, as shown.

DESCRIPTION

FIG. 1 is a perspective view of a micro-flashlight docking station of the present invention; FIG. 2 is a top view thereof; FIG. 3 is a bottom view thereof; FIG. 4 is a right side view thereof; FIG. 5 is a left side view thereof; FIG. 6 is a front view thereof; and, FIG. 7 is a rear view thereof.

The broken line showing is for illustrative purposes only and forms no part of the claimed design.

1 Claim, 4 Drawing Sheets



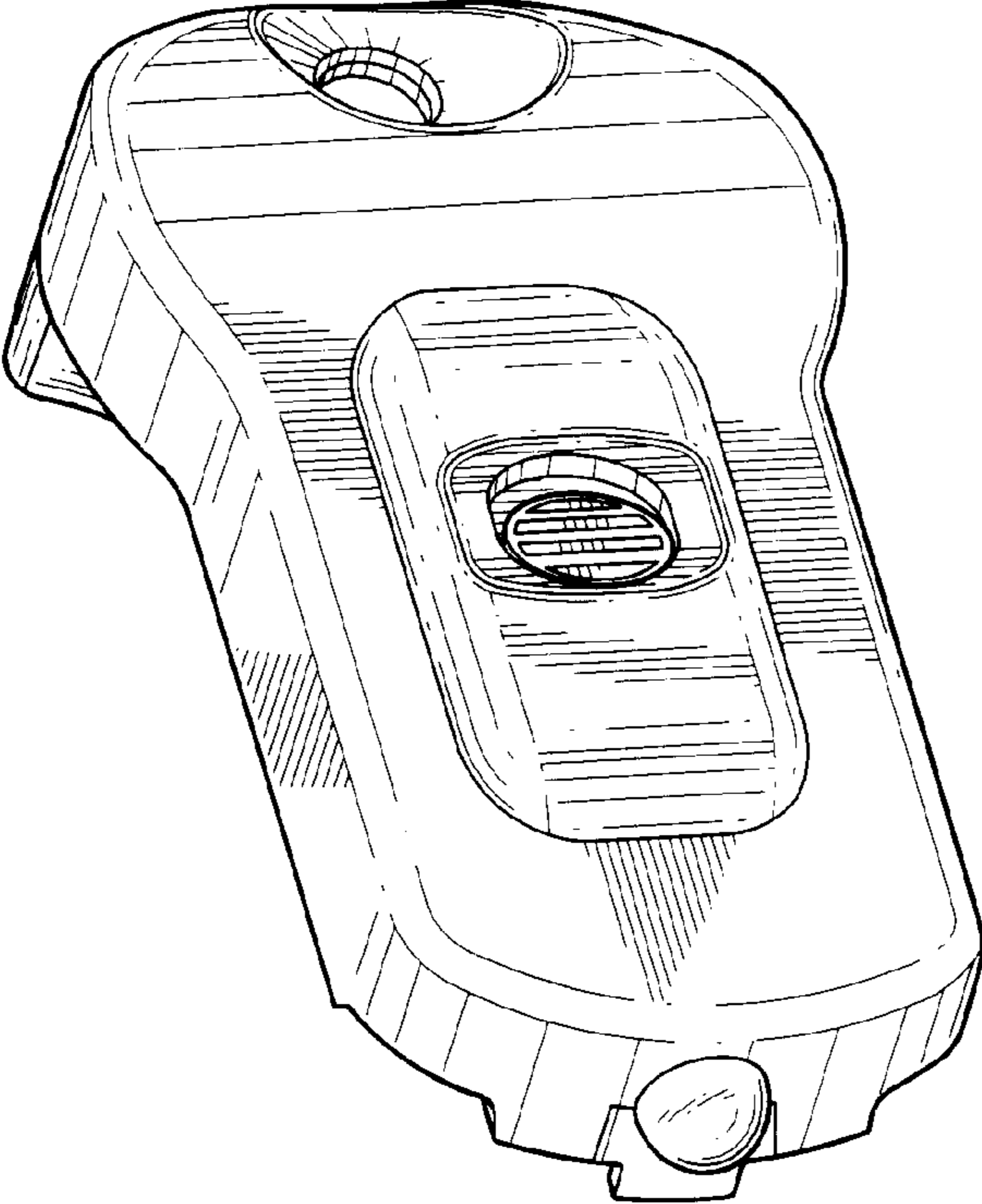


FIG. 1

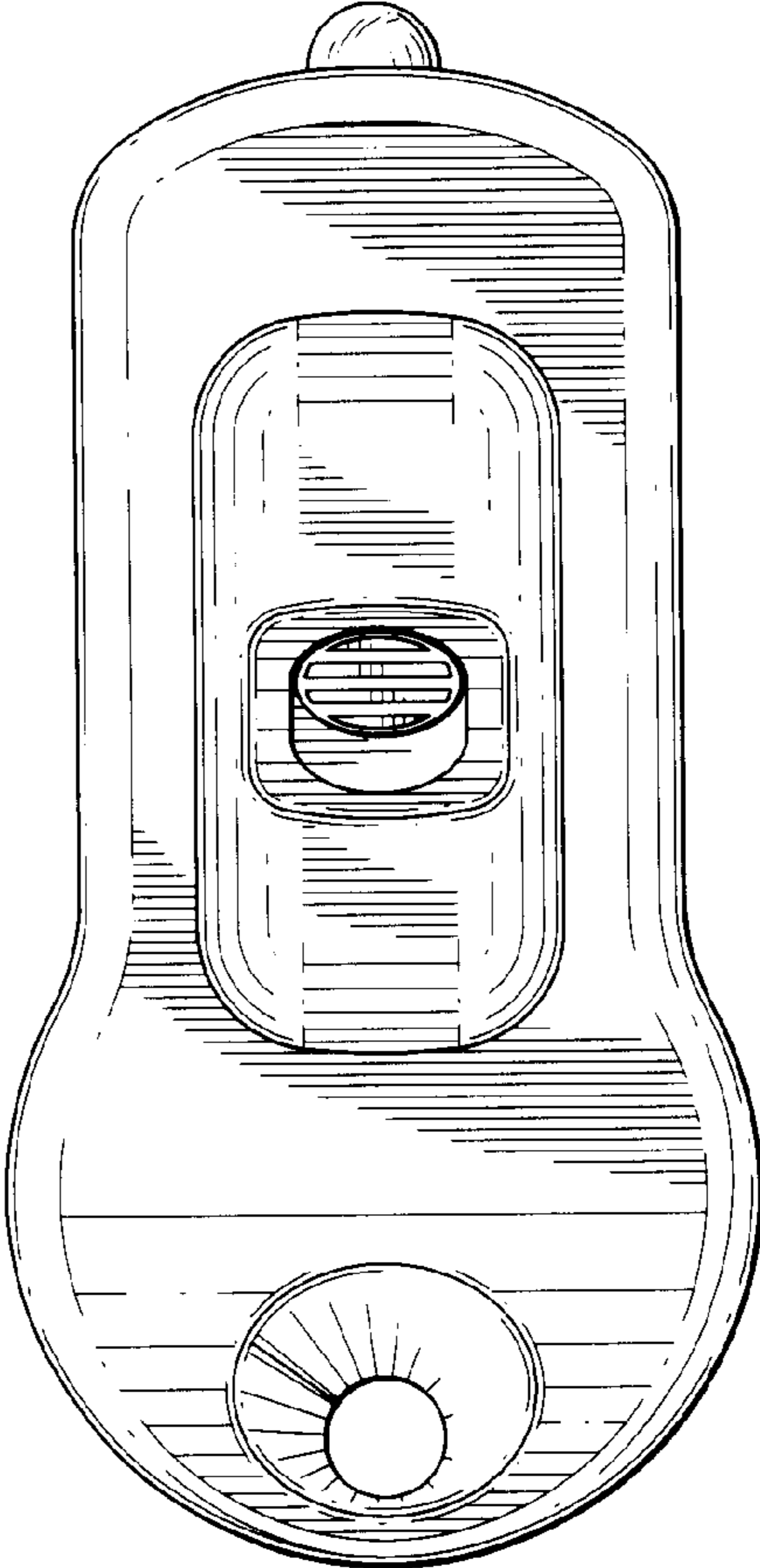


FIG. 2

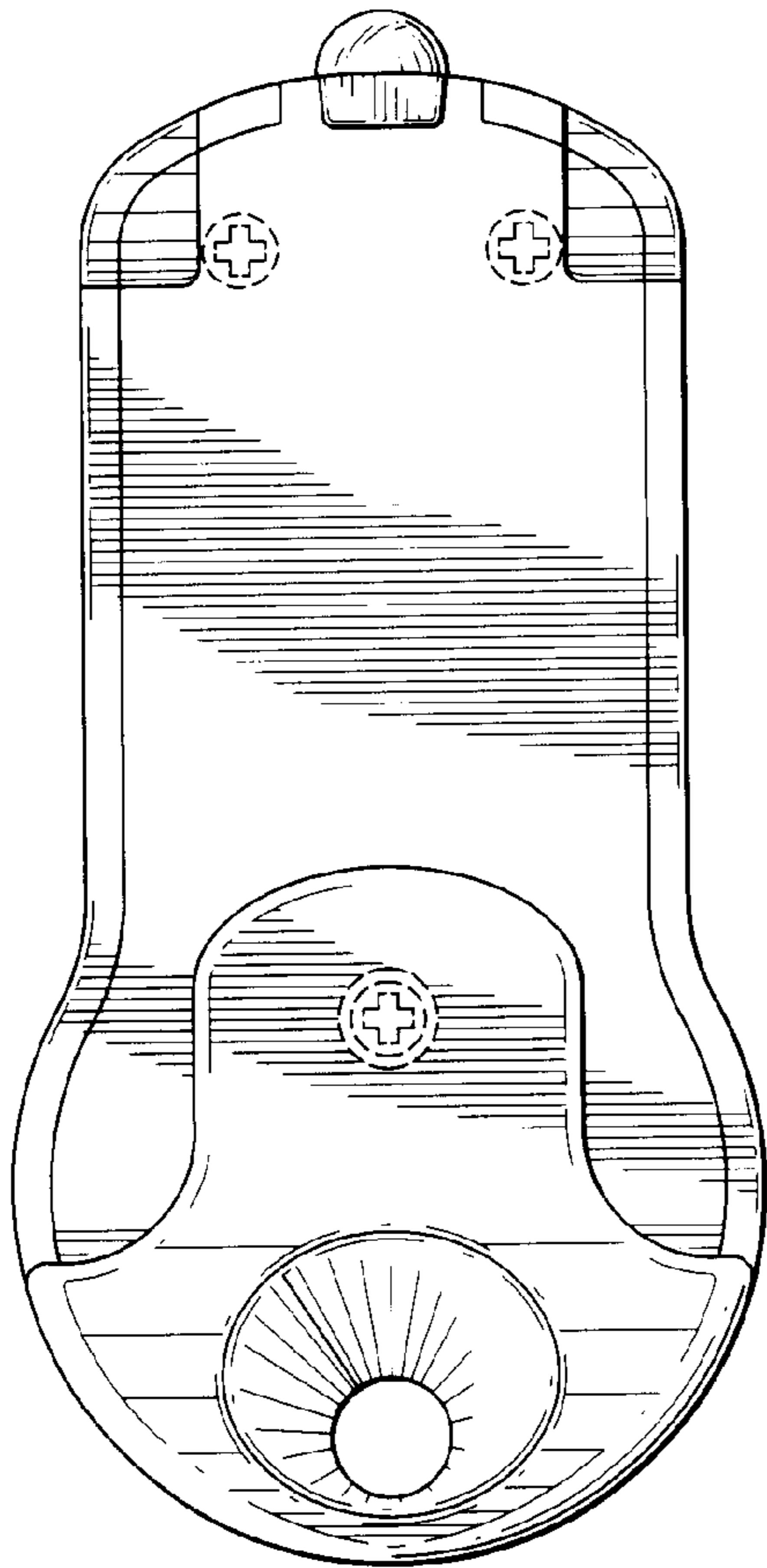


FIG. 3

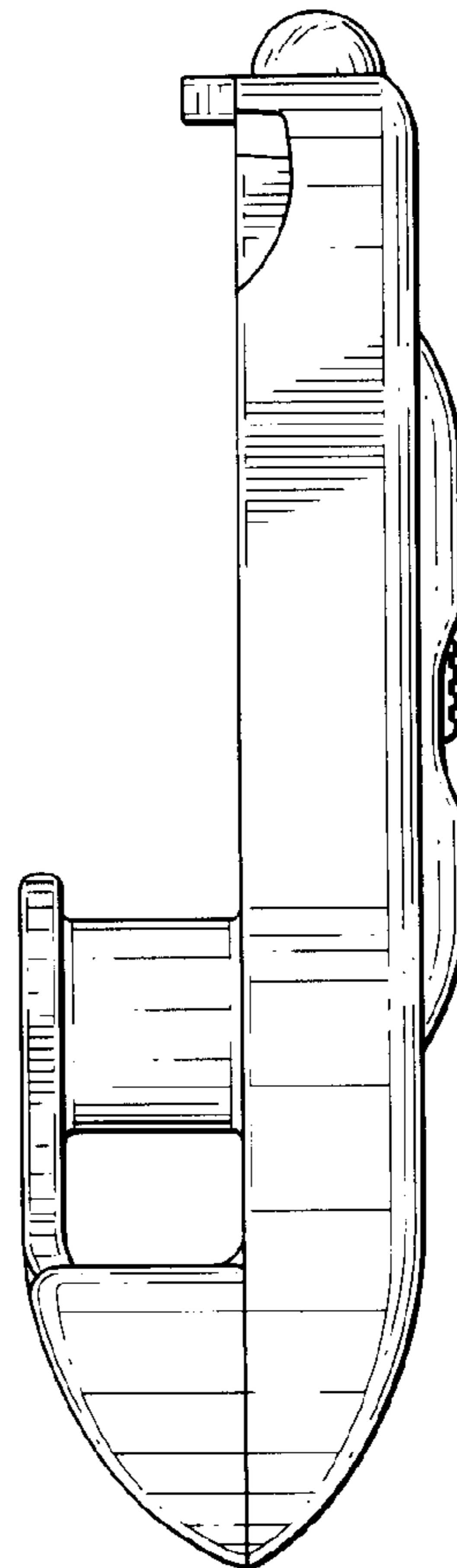


FIG. 4

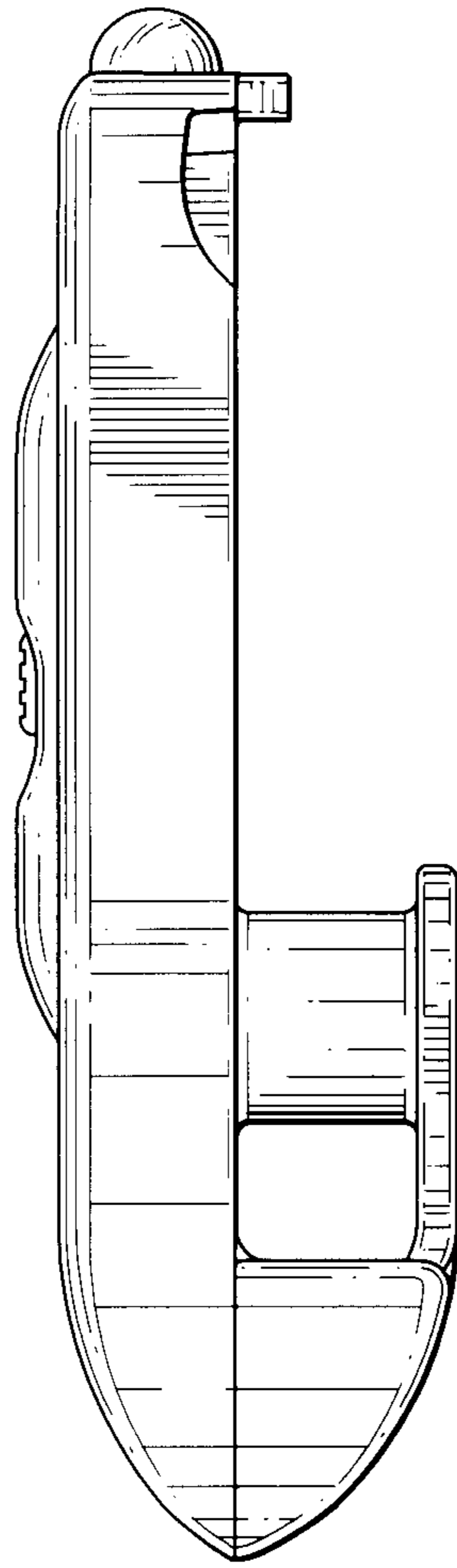


FIG. 5

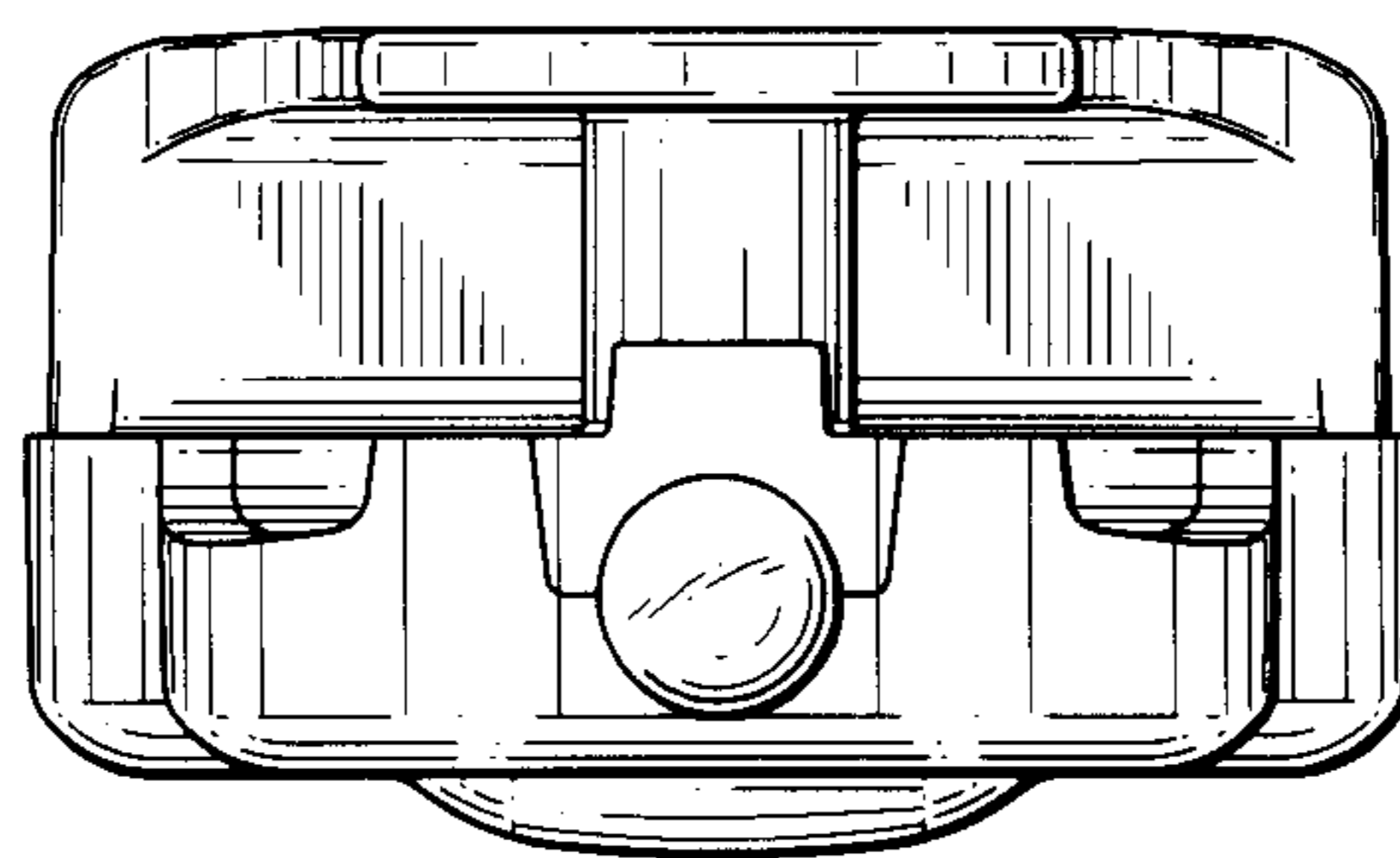


FIG. 6

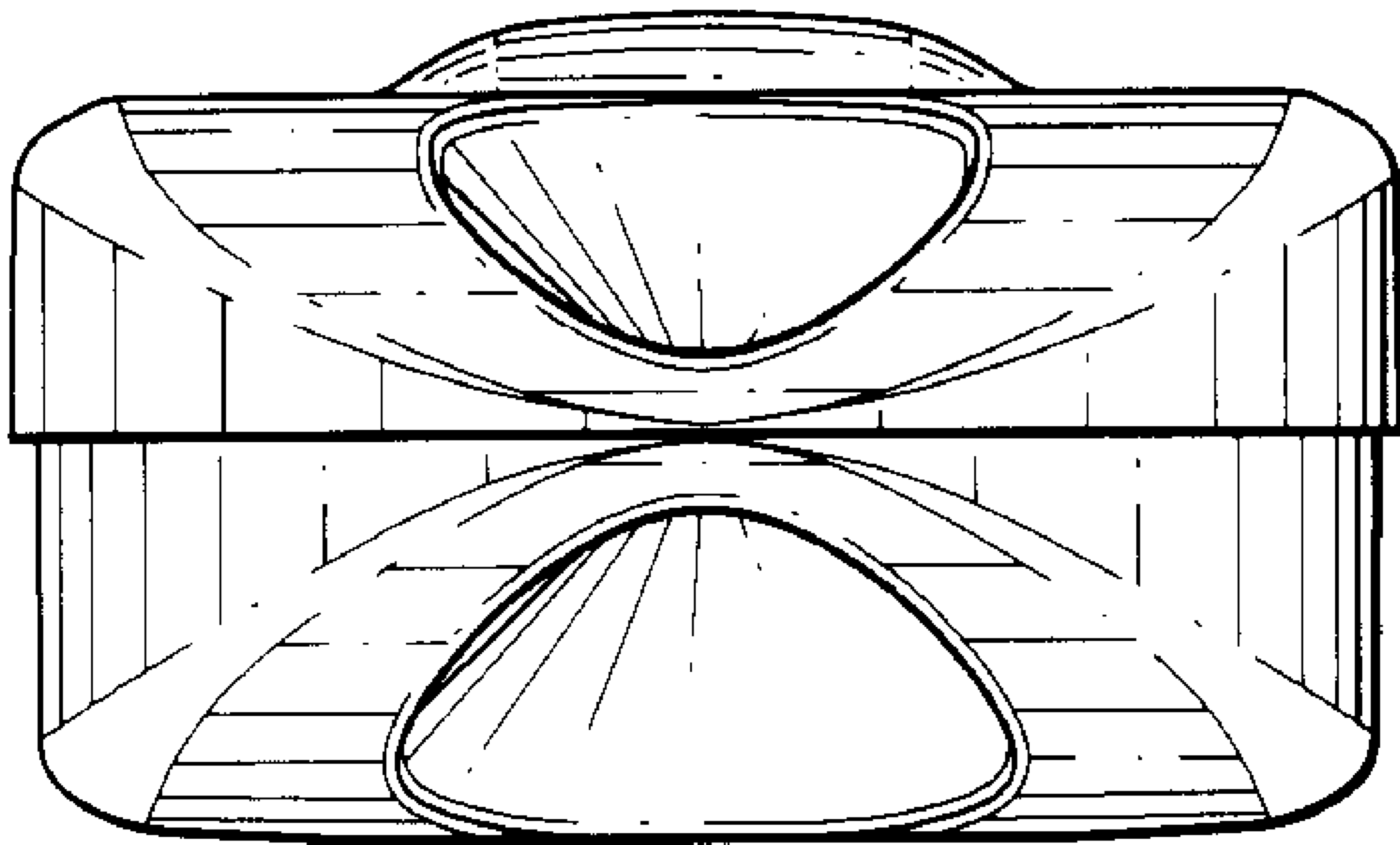


FIG. 7