

US00D514062S

(12) **United States Design Patent**
Chang

(10) **Patent No.:** **US D514,062 S**
(45) **Date of Patent:** **** Jan. 31, 2006**

(54) **RECHARGING DECK**

(76) **Inventor:** **Ke-Chang Chang**, No. 35, Lane 628,
Bade St., Shulin City, Taipei County
(TW)

(**) **Term:** **14 Years**

(21) **Appl. No.:** **29/205,117**

(22) **Filed:** **May 11, 2004**

(51) **LOC (8) Cl.** **13-02**

(52) **U.S. Cl.** **D13/108**

(58) **Field of Classification Search** D13/107-110,
D13/118, 184; D14/251, 253, 432, 434; 320/107-115
See application file for complete search history.

(56) **References Cited**

U.S. PATENT DOCUMENTS

D279,185 S	*	6/1985	Felix et al.	D14/251
D358,821 S	*	5/1995	Hellier et al.	D14/253
D368,465 S	*	4/1996	Scheid et al.	D13/108
D429,242 S	*	8/2000	Sun	D14/253

D460,446 S	*	7/2002	Hughes et al.	D14/253
D489,323 S	*	5/2004	Yoshida	D13/108
D501,191 S	*	1/2005	Siebke	D14/149
6,840,791 B2	*	1/2005	Hsiu	439/374

* cited by examiner

Primary Examiner—Alan P. Douglas
Assistant Examiner—Rosemary Tarcza
(74) *Attorney, Agent, or Firm*—Bacon & Thomas PLLC

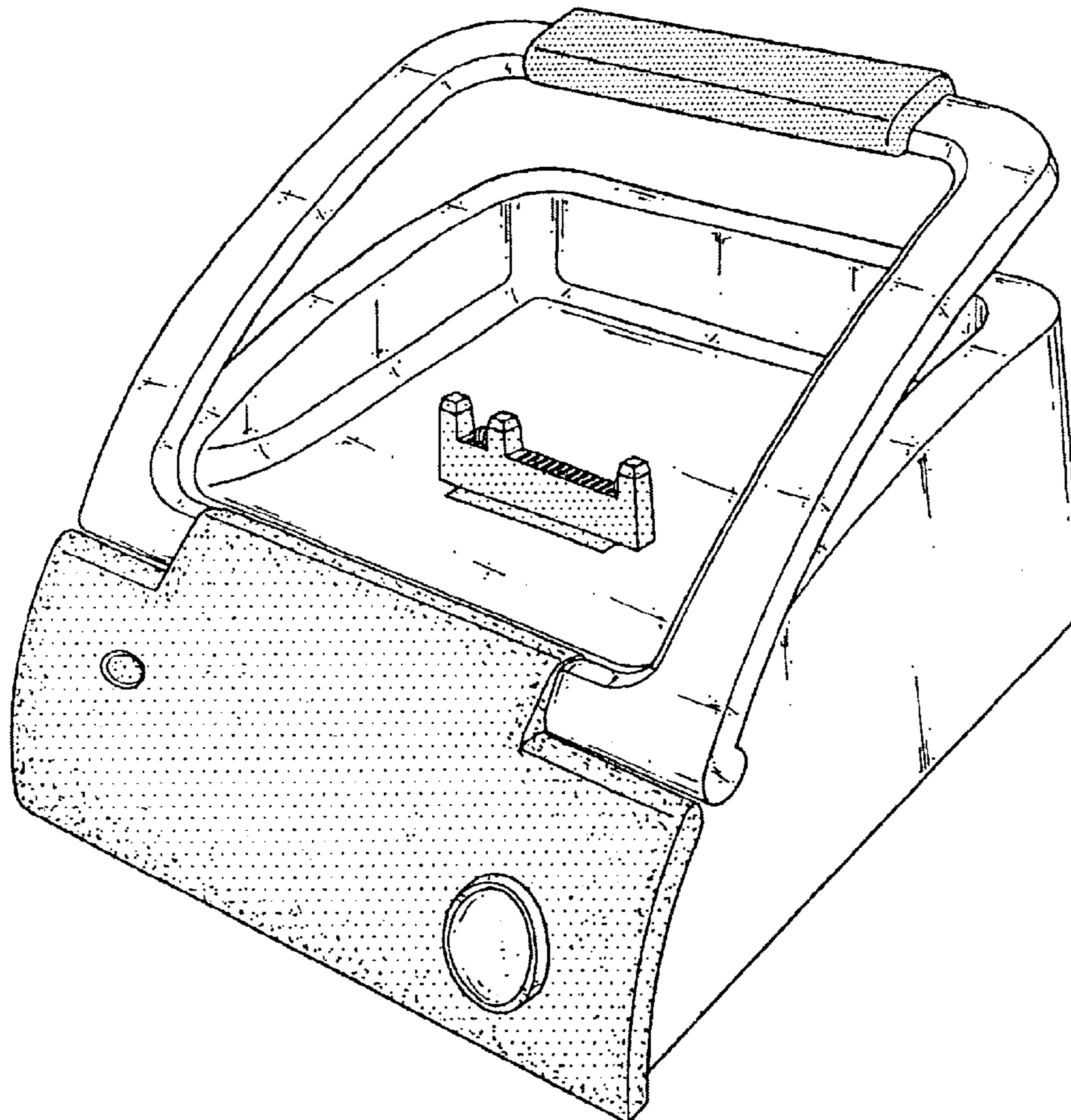
(57) **CLAIM**

The ornamental design for a recharging deck, as shown.

DESCRIPTION

FIG. 1 is a perspective view of a recharging deck showing my new design;
FIG. 2 is a front elevational view thereof;
FIG. 3 is a rear elevational view thereof;
FIG. 4 is a left side elevational view thereof;
FIG. 5 is a right side elevational view thereof;
FIG. 6 is a top plan view thereof; and,
FIG. 7 is a bottom plan view thereof.

1 Claim, 5 Drawing Sheets



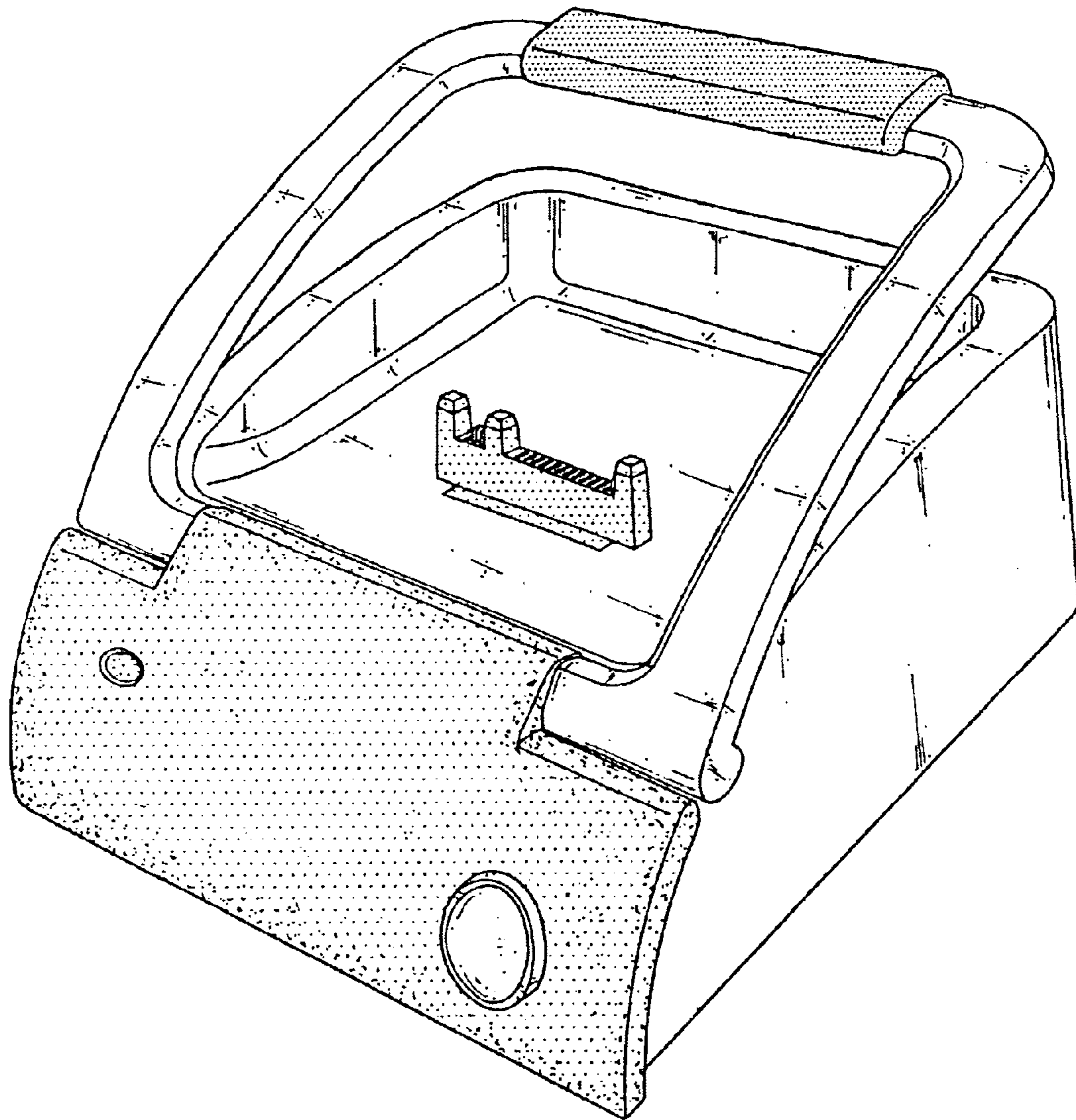


FIG. 1

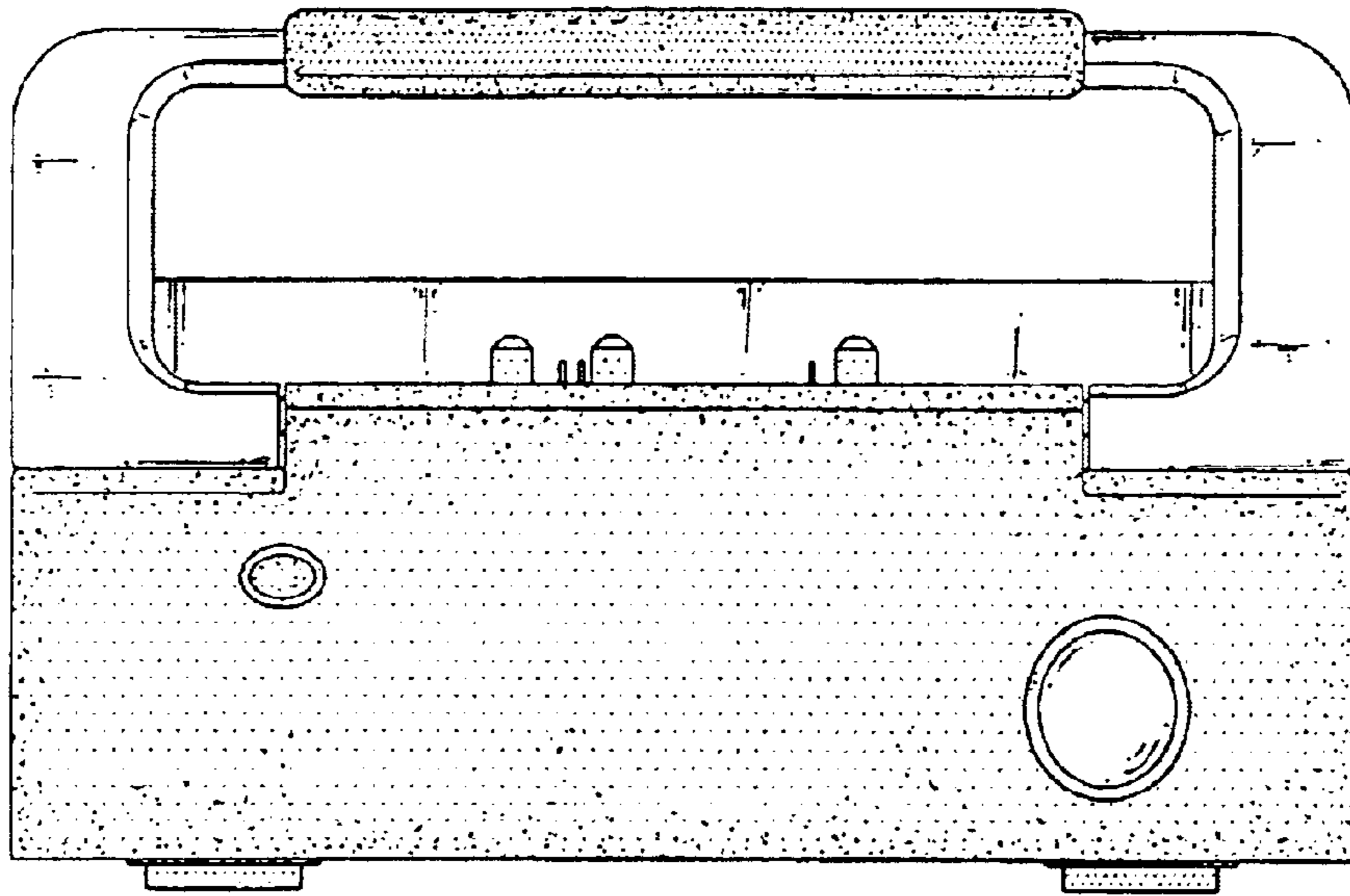


FIG. 2

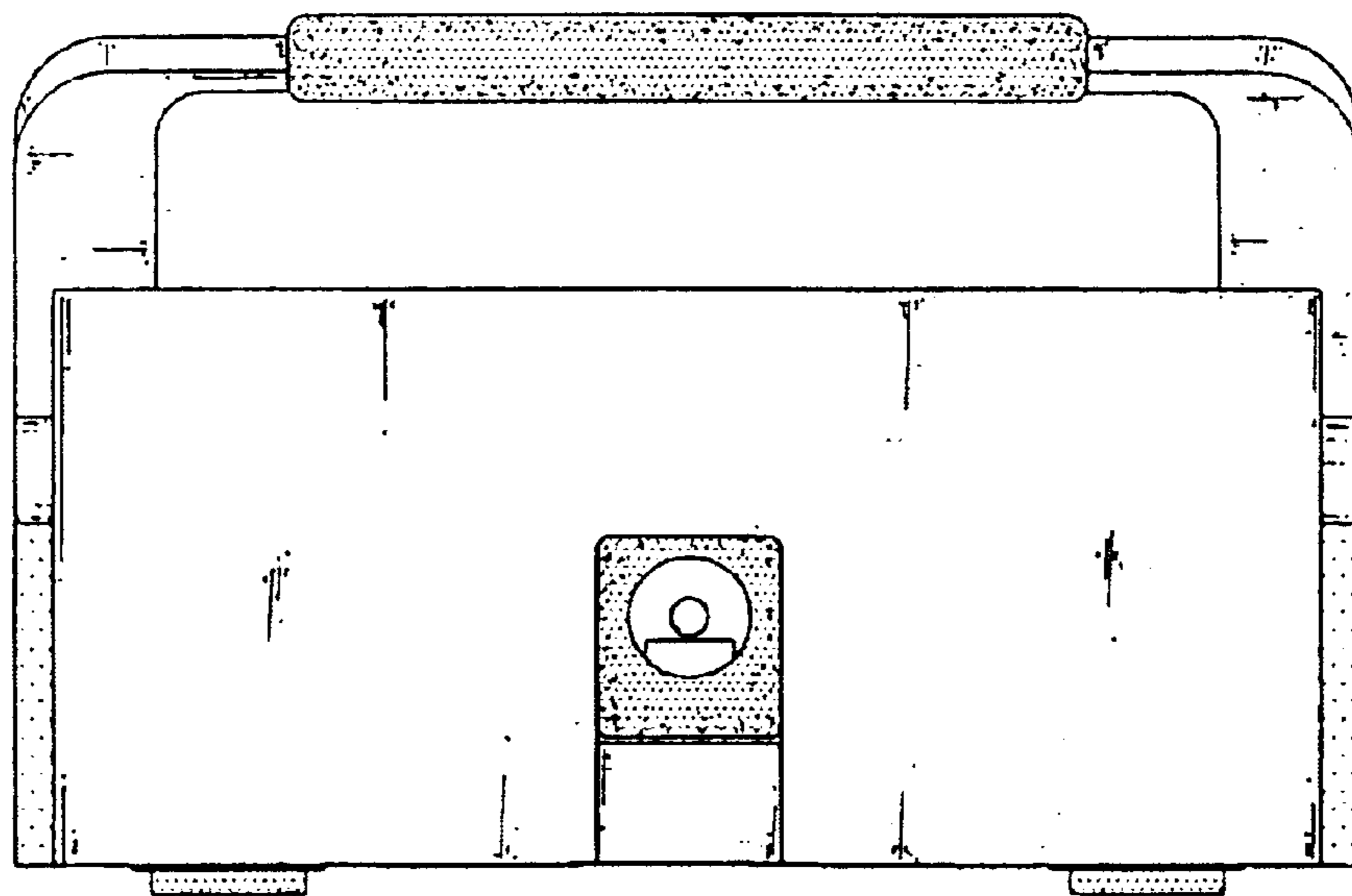


FIG. 3

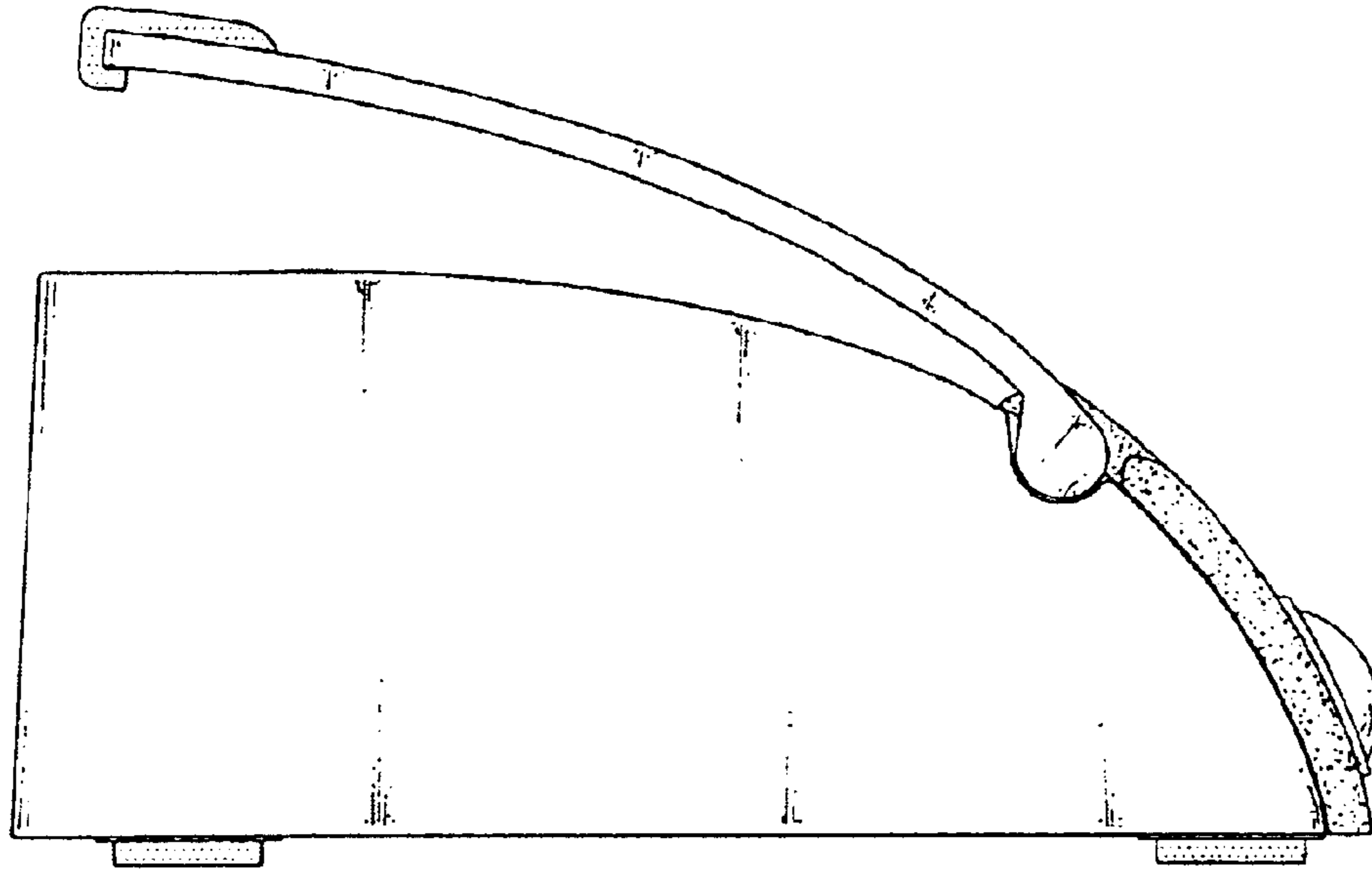


FIG. 4

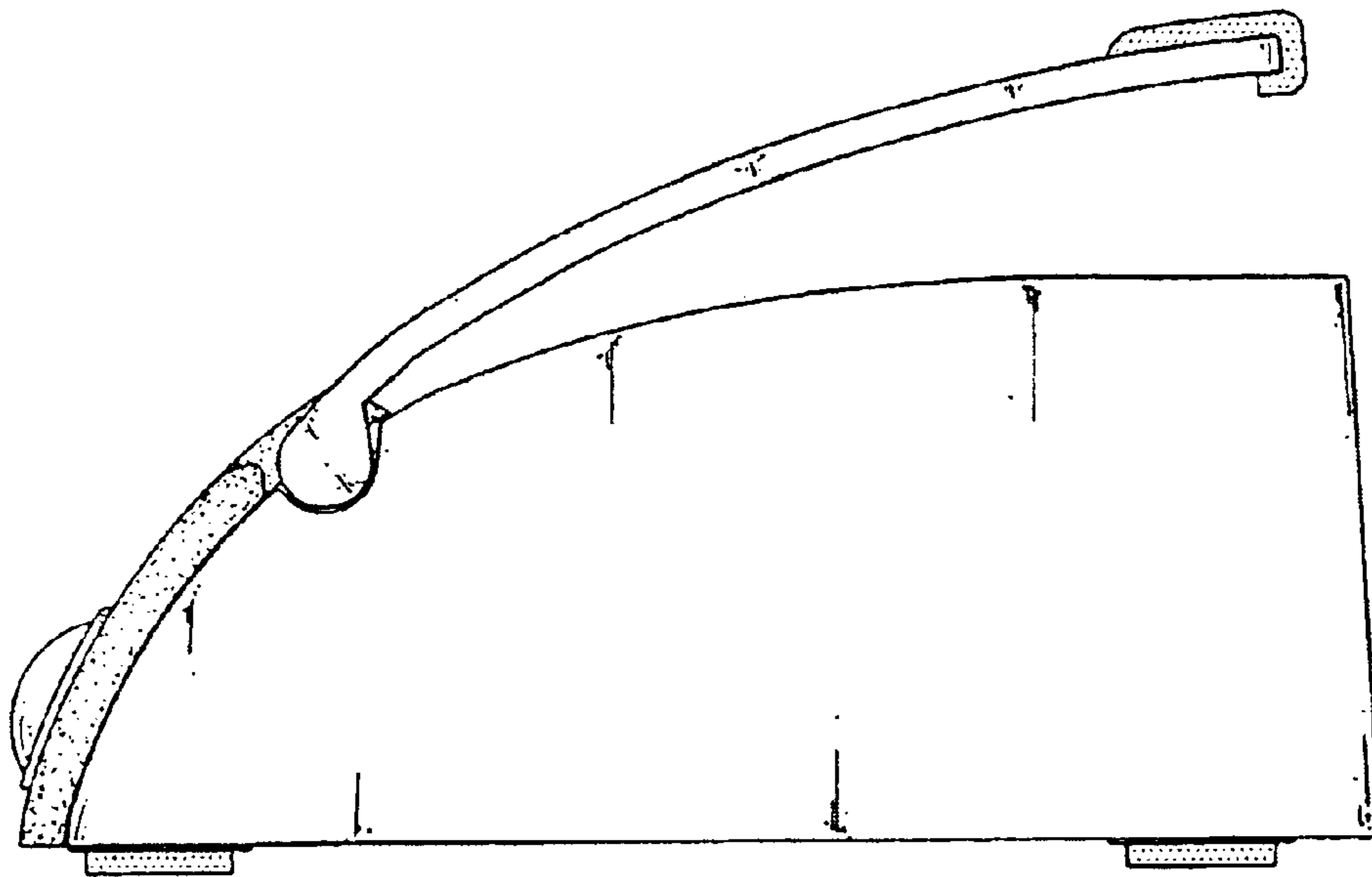


FIG. 5

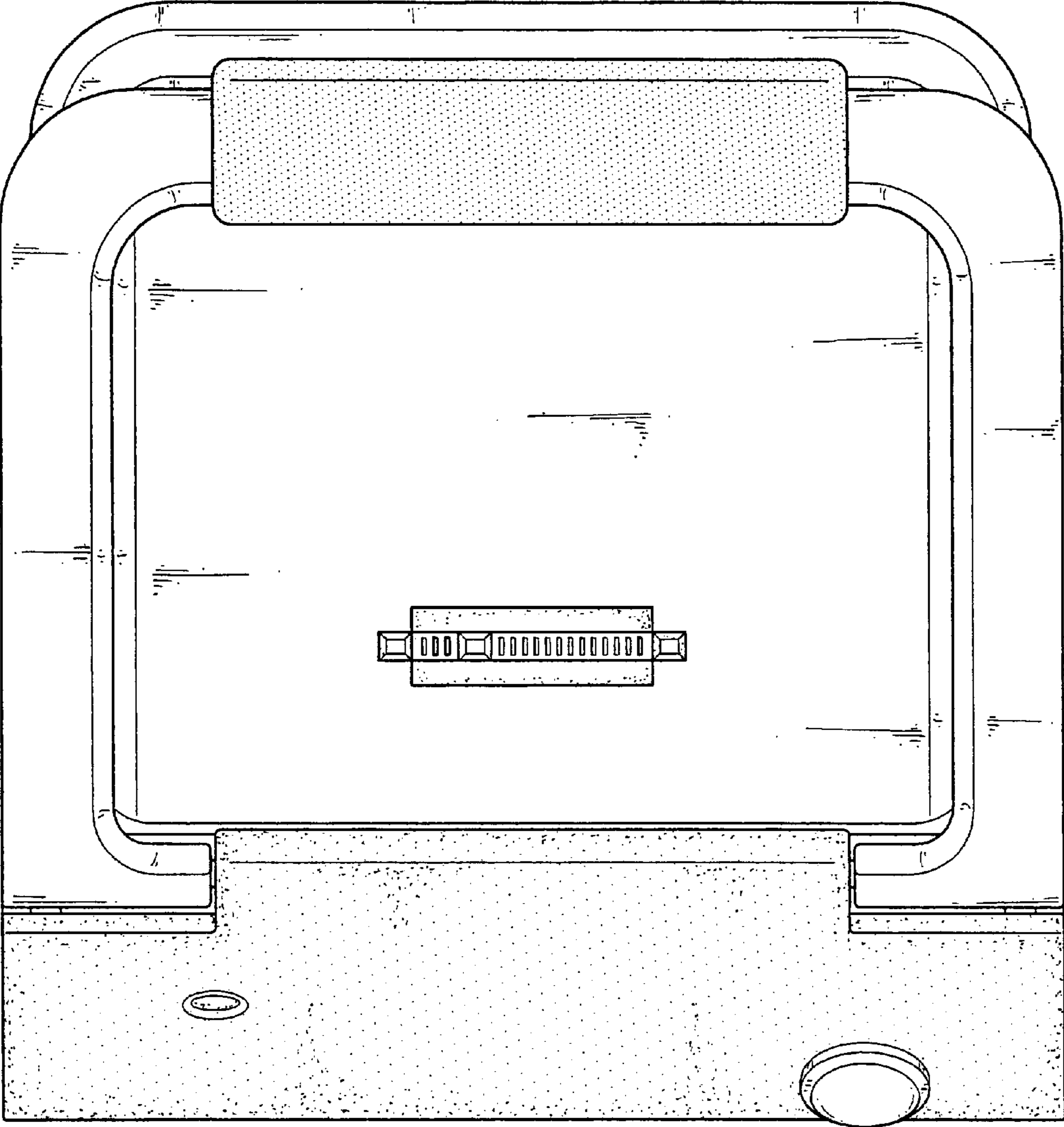


FIG. 6

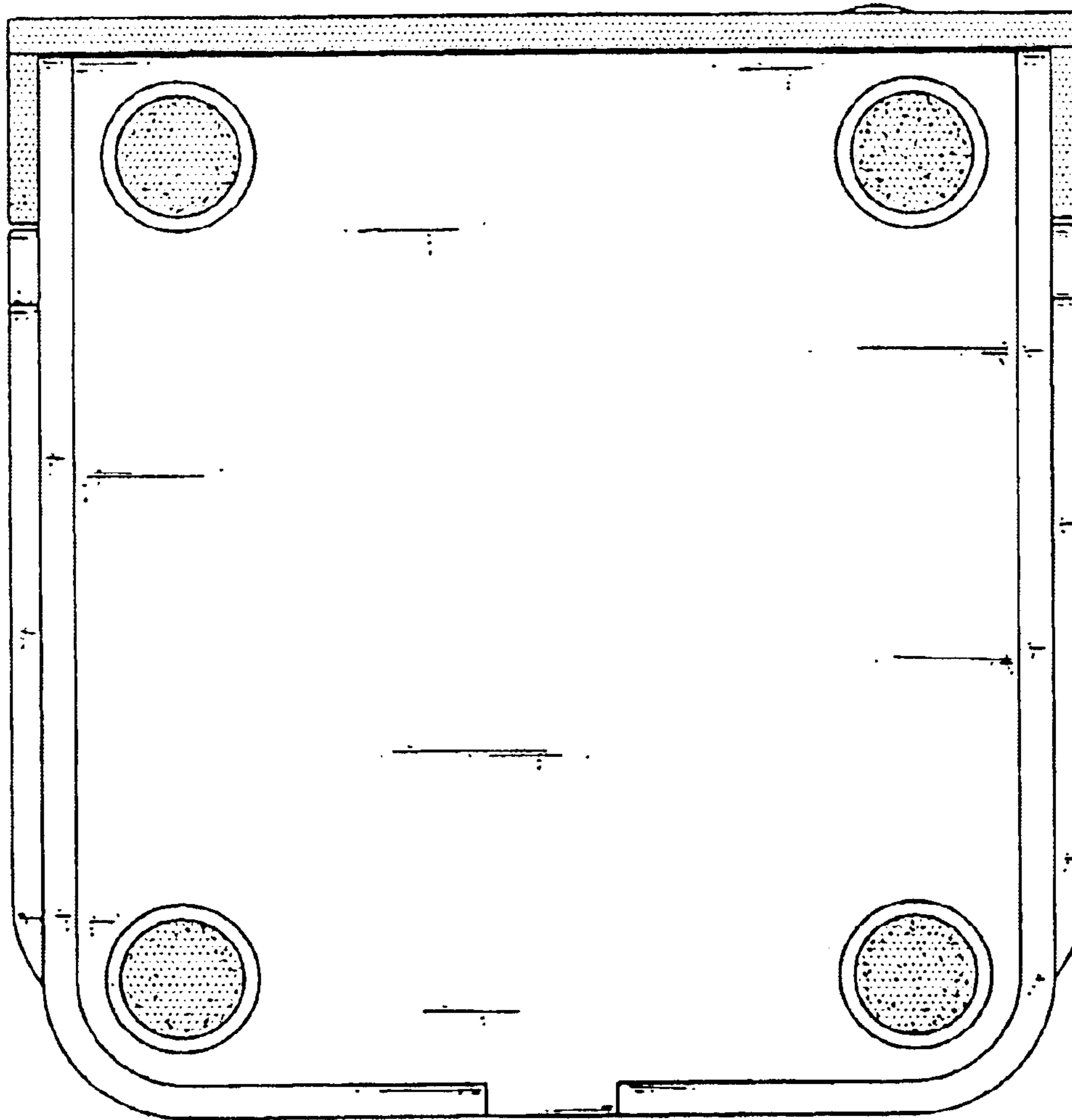


FIG. 7