



US00D514057S

(12) **United States Design Patent**  
**Borunda et al.**

(10) **Patent No.:** **US D514,057 S**  
(45) **Date of Patent:** **\*\* Jan. 31, 2006**

(54) **PORTABLE, FOLDABLE, ROTATABLE LAP  
DESK WITH SLIDE OUT EXTENSION AND  
STABILIZING LEGS FOR CAR FLOOR  
SUPPORT**

(76) Inventors: **Timmy R. Borunda**, P.O. Box 96,  
Hartman, CO (US) 81043; **Marie F.  
Borunda**, P.O. Box 96, Hartman, CO  
(US) 81043

(\*\*) Term: **14 Years**

(21) Appl. No.: **29/218,990**

(22) Filed: **Dec. 13, 2004**

(51) **LOC (8) Cl.** ..... **12-16**

(52) **U.S. Cl.** ..... **D12/426.1; D6/406.5**

(58) **Field of Classification Search** .... D6/406.1-406.6,  
D6/339, 419, 429, 430; D12/426.1, 416,  
D12/419; D14/447, 457; D7/550.1-550.2,  
D7/552.5, 554.3-554.4; 108/25, 42-43, 150;  
220/575, 679, 632, 670, 339, 574; 312/283;  
211/11, 126; 297/173

See application file for complete search history.

(56) **References Cited**

**U.S. PATENT DOCUMENTS**

4,318,471 A	3/1982	Hutton	
4,375,881 A	3/1983	Mitchell	
4,404,915 A	9/1983	Simpson	
4,511,104 A	4/1985	Meyer	
4,529,150 A	7/1985	Owen et al.	
4,765,583 A	8/1988	Tenner	
4,942,827 A	7/1990	Norgaard	
D321,300 S	* 11/1991	Postic	..... D6/511

D324,791 S	*	3/1992	Hoover	.....	D6/511
D327,200 S	*	6/1992	Szablak et al.	.....	D7/554.3
D327,774 S		7/1992	Li		
D353,275 S	*	12/1994	Longhurst	.....	D12/425
D356,902 S	*	4/1995	Crowell	.....	D12/426.1
D362,837 S		10/1995	Mankey et al.		
5,588,697 A		12/1996	Yoshida et al.		
5,692,815 A	*	12/1997	Murphy	.....	312/283
D442,603 S	*	5/2001	Lam	.....	D14/458
6,311,944 B1	*	11/2001	McKsymick et al.	.....	248/461

\* cited by examiner

*Primary Examiner*—Charles A. Rademaker

(74) *Attorney, Agent, or Firm*—Donald R. Schoonover

(57) **CLAIM**

We claim the ornamental design for a portable, foldable, rotatable lap desk with slide out extension and stabilizing legs for car floor support, as shown and described.

**DESCRIPTION**

FIG. 1 is a perspective view of a portable, foldable, rotatable lap desk with slide out extension and stabilizing legs for car floor support showing our new design with the slide out extended;

FIG. 2 is a side elevational view thereof showing the slide out extended;

FIG. 3 is an elevational view of the opposing side thereof showing the slide out extended;

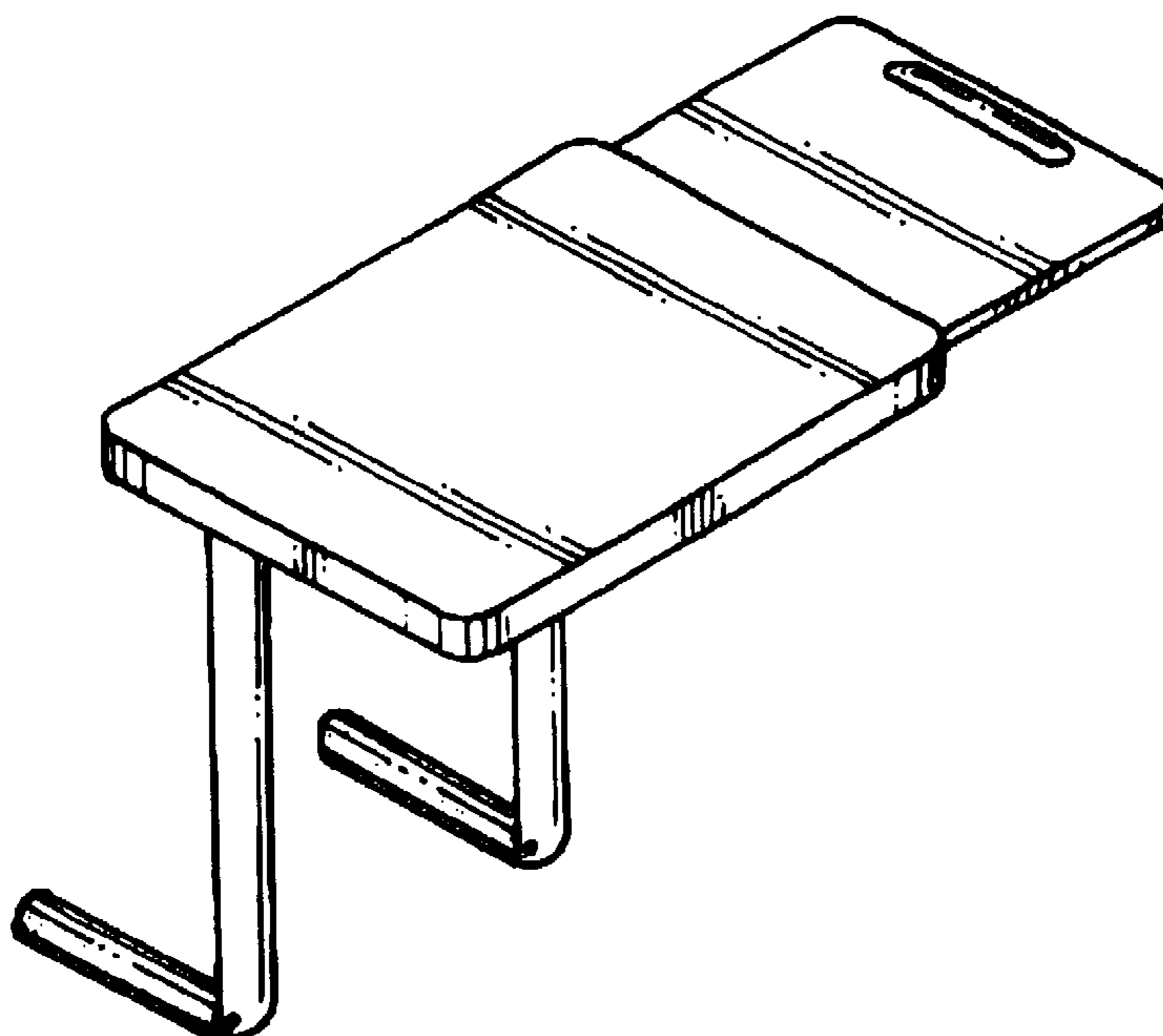
FIG. 4 is an end elevational view thereof;

FIG. 5 is an elevational view of the opposing end thereof;

FIG. 6 is a top plan view thereof showing the slide out extended; and,

FIG. 7 is a bottom plan view showing the slide out extended.

**1 Claim, 4 Drawing Sheets**



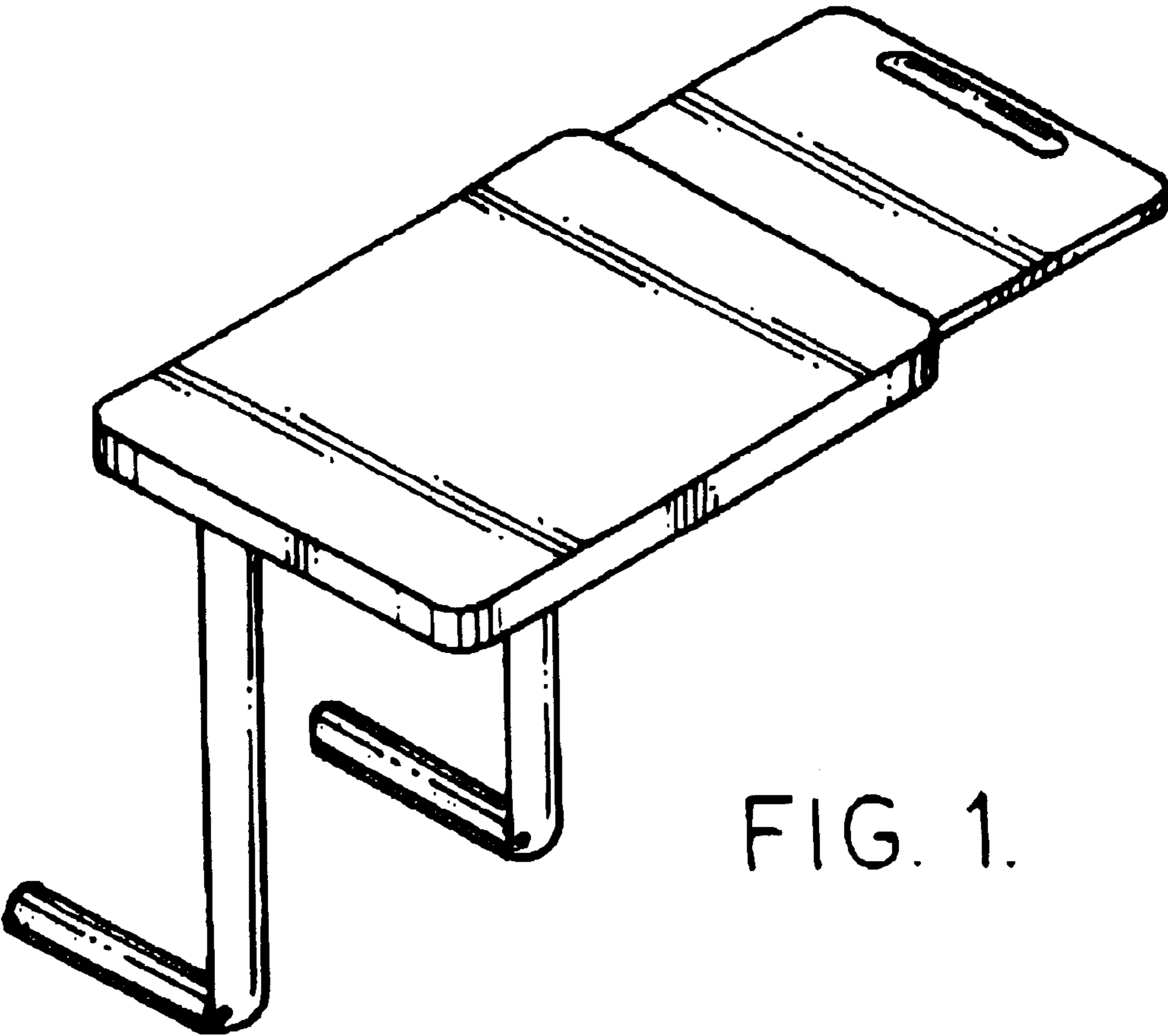


FIG. 1.

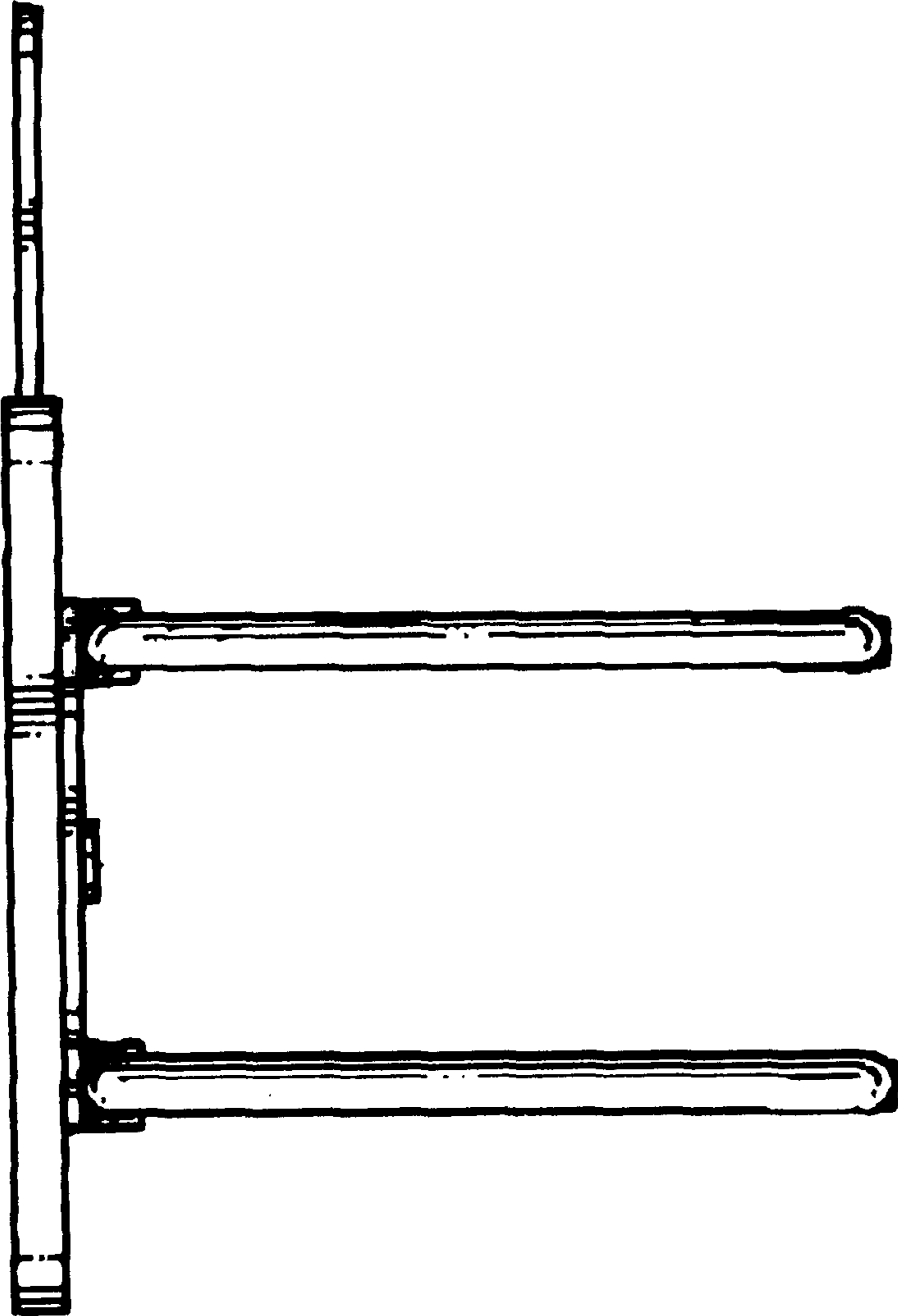


FIG. 2

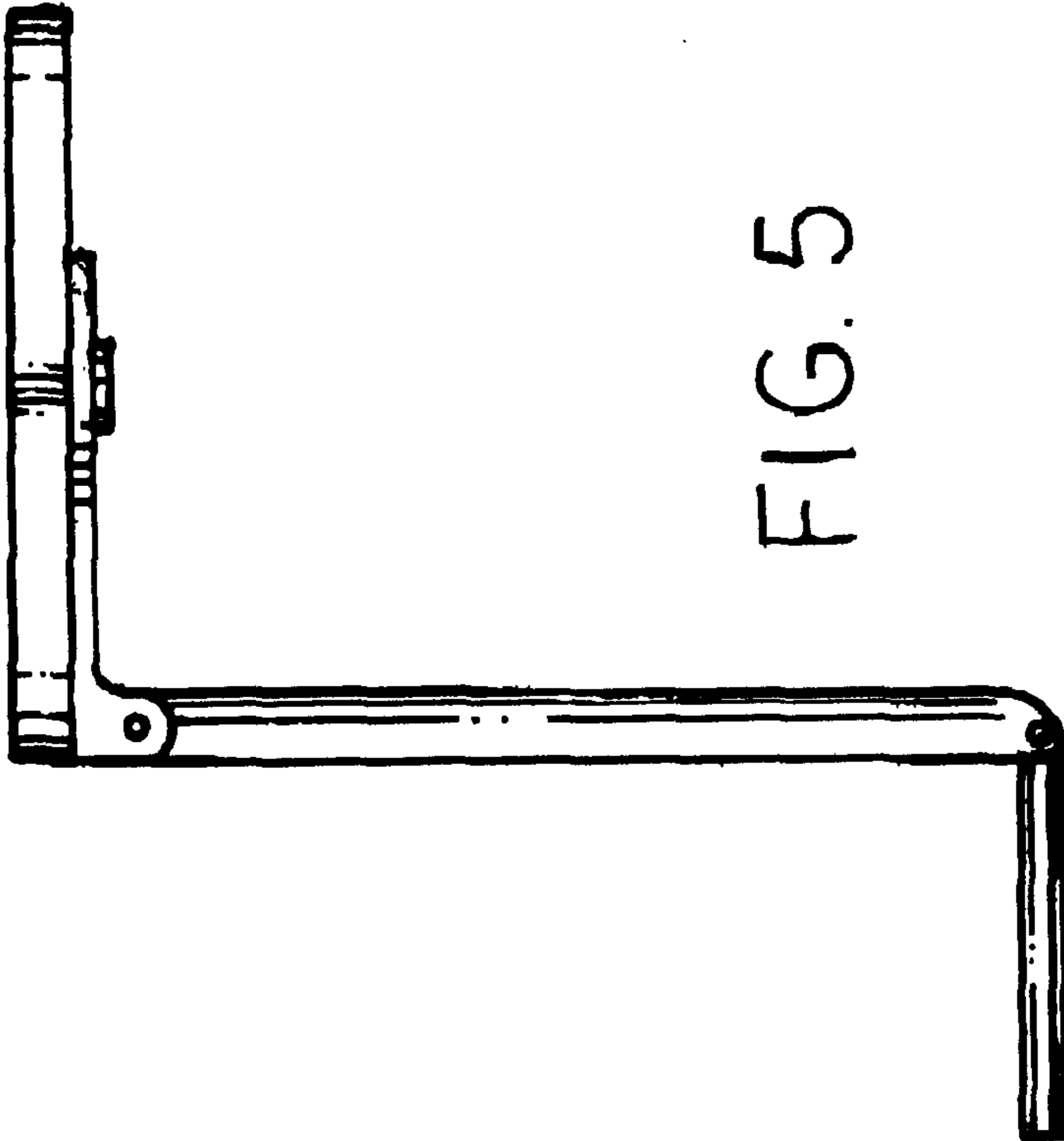


FIG. 5

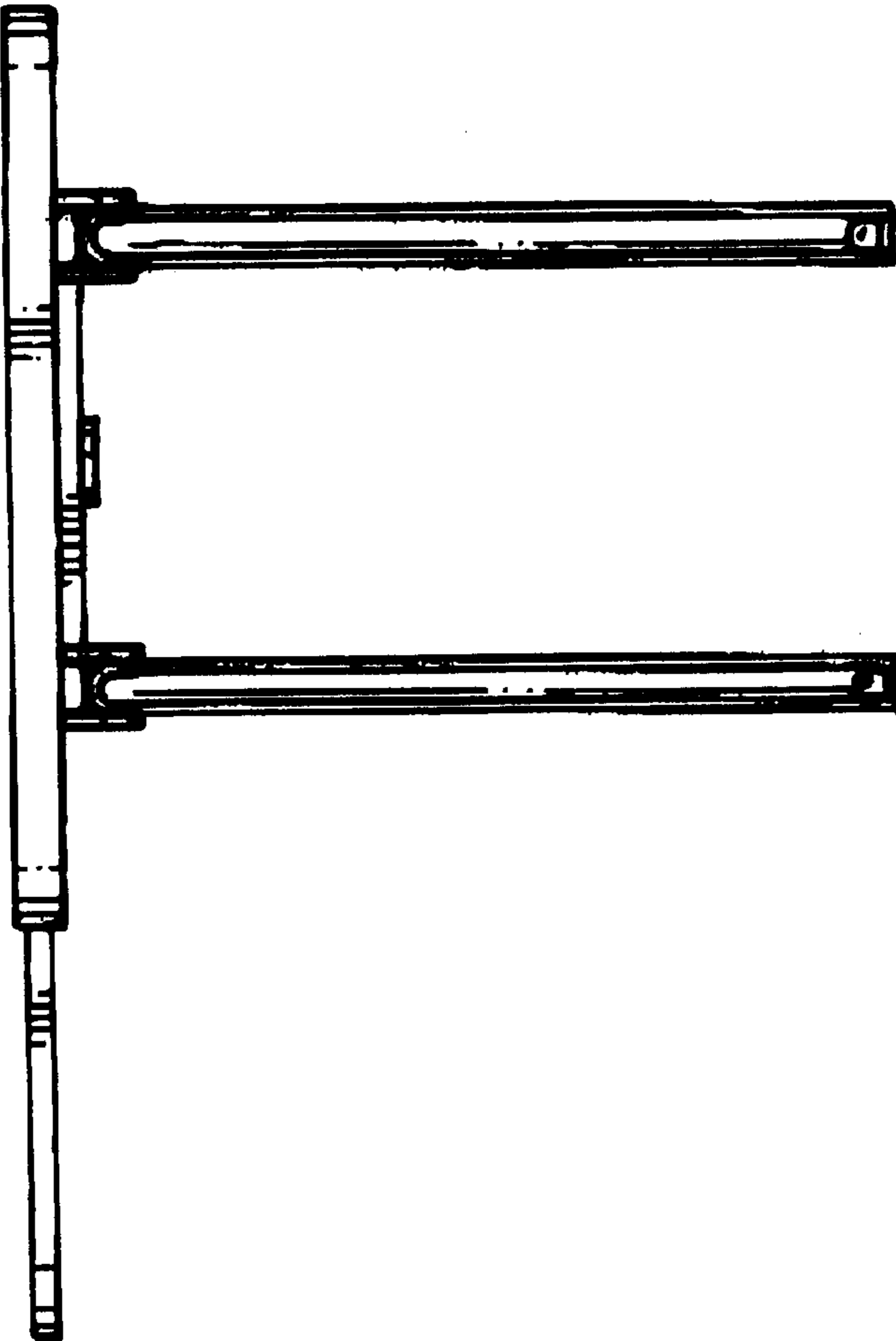


FIG. 3

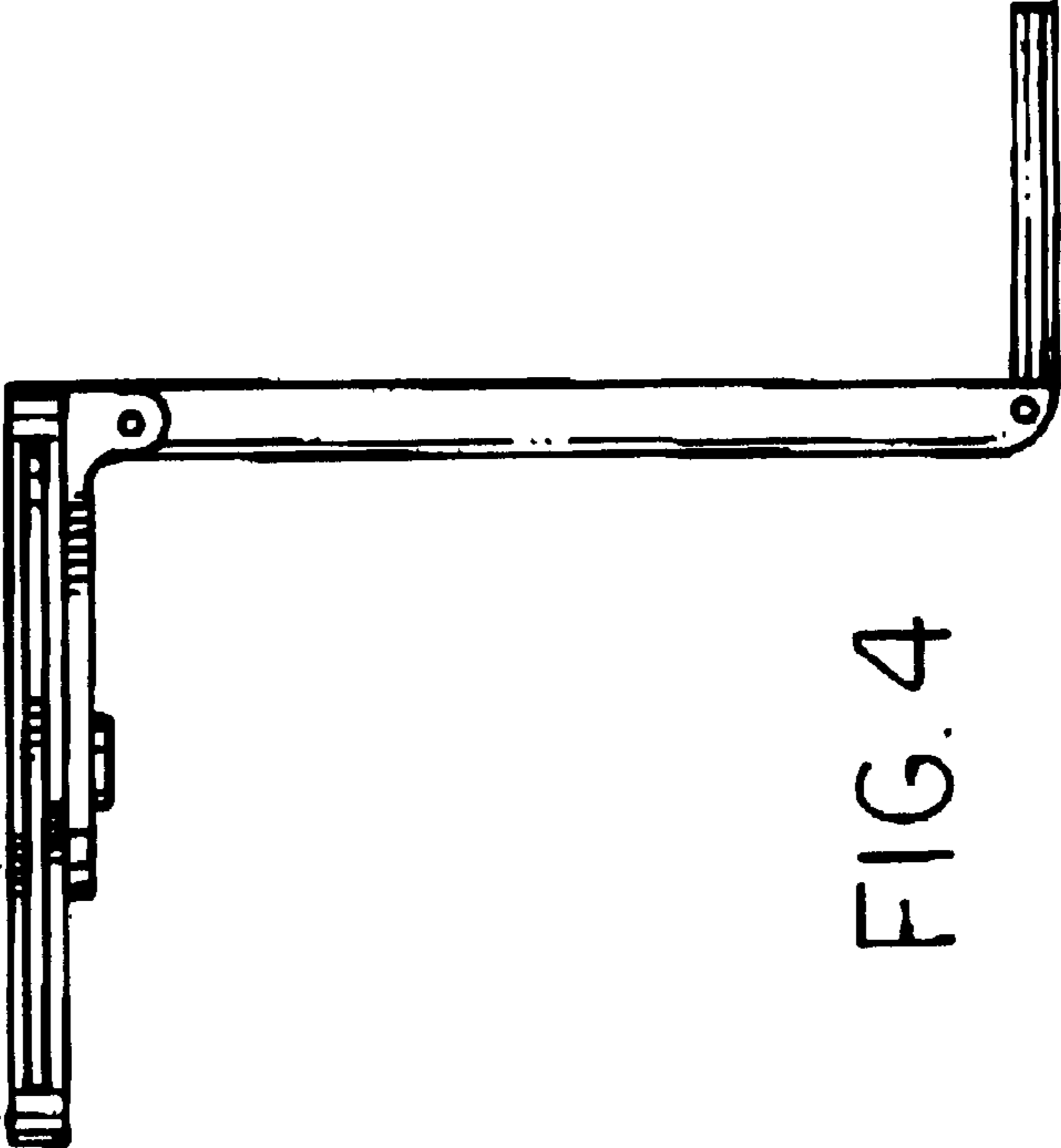


FIG. 4

FIG. 6

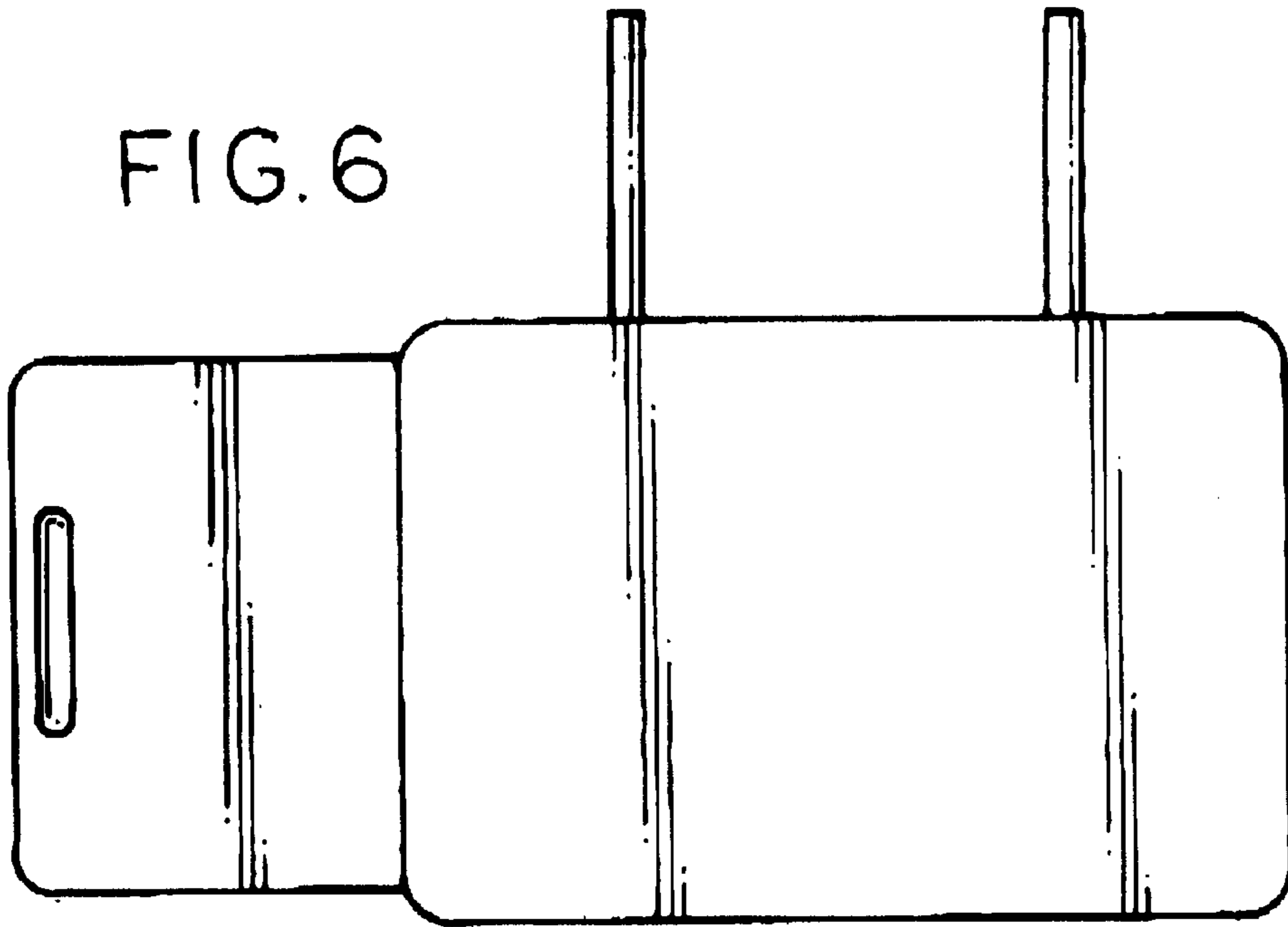


FIG. 7

