



US00D514053S

(12) **United States Design Patent**
Ward

(10) **Patent No.:** **US D514,053 S**
(45) **Date of Patent:** **** Jan. 31, 2006**

(54) **PADDLE**

(76) **Inventor:** **David Geoffrey Ward**, 8 Hardinge Avenue, Southborough, Tunbridge Wells (GB), TN4 0TU

(**) **Term:** **14 Years**

(21) **Appl. No.:** **29/194,431**

(22) **Filed:** **Nov. 25, 2003**

(51) **LOC (8) Cl.** **12-06**

(52) **U.S. Cl.** **D12/215**

(58) **Field of Classification Search** D12/215, D12/302, 317; 440/101; 114/221 R; 416/69, 416/70 R, 71, 74

See application file for complete search history.

(56) **References Cited**

U.S. PATENT DOCUMENTS

2,347,475 A * 4/1944 Ford 416/72

2,526,863 A * 10/1950 Gilliam 416/70 R
3,529,907 A * 9/1970 Akermanis 416/71
4,233,925 A * 11/1980 Proctor 440/101
D363,458 S * 10/1995 Killen D12/215
5,482,434 A * 1/1996 Heaven 416/70 R
D448,337 S * 9/2001 Dale D12/215

* cited by examiner

Primary Examiner—Antoine Duval Davis

Assistant Examiner—Cynthia M. Chin

(74) *Attorney, Agent, or Firm*—Dowell & Dowell, P.C.

(57) **CLAIM**

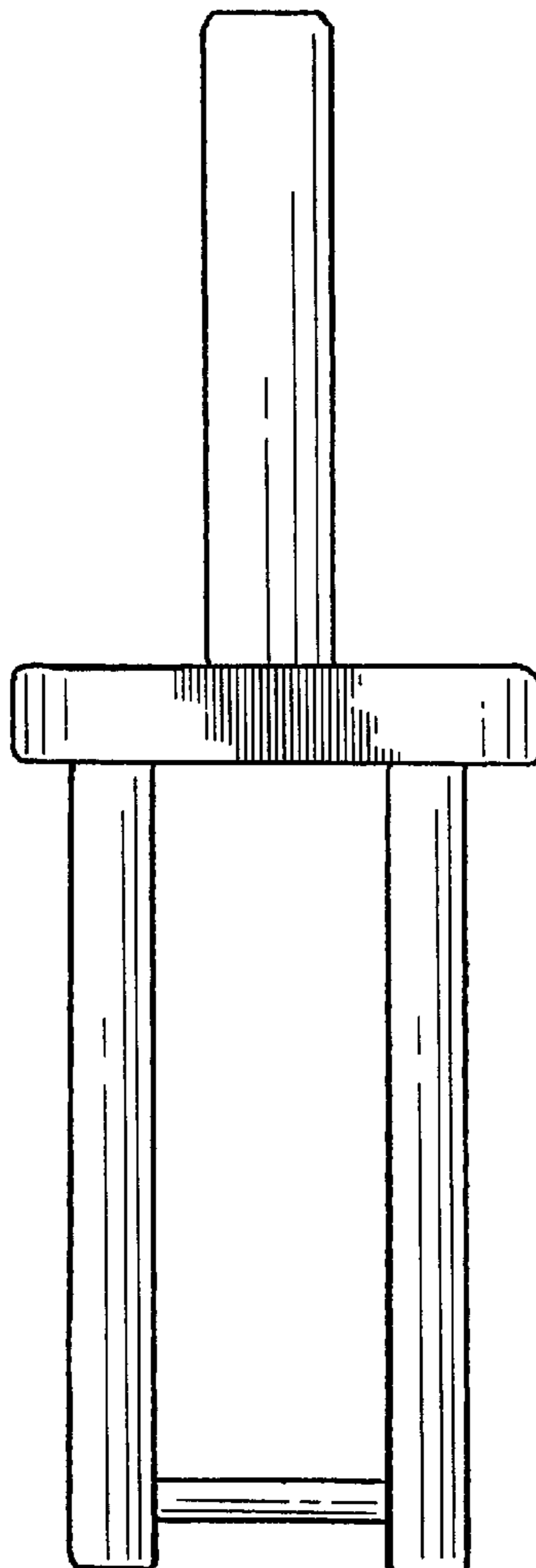
The ornamental design for a paddle, as shown and described.

DESCRIPTION

FIG. 1 is a front elevational view of a paddle showing my new design; and,

FIG. 2 is a right side view thereof, a view taken from left side being a mirror image.

1 Claim, 1 Drawing Sheet



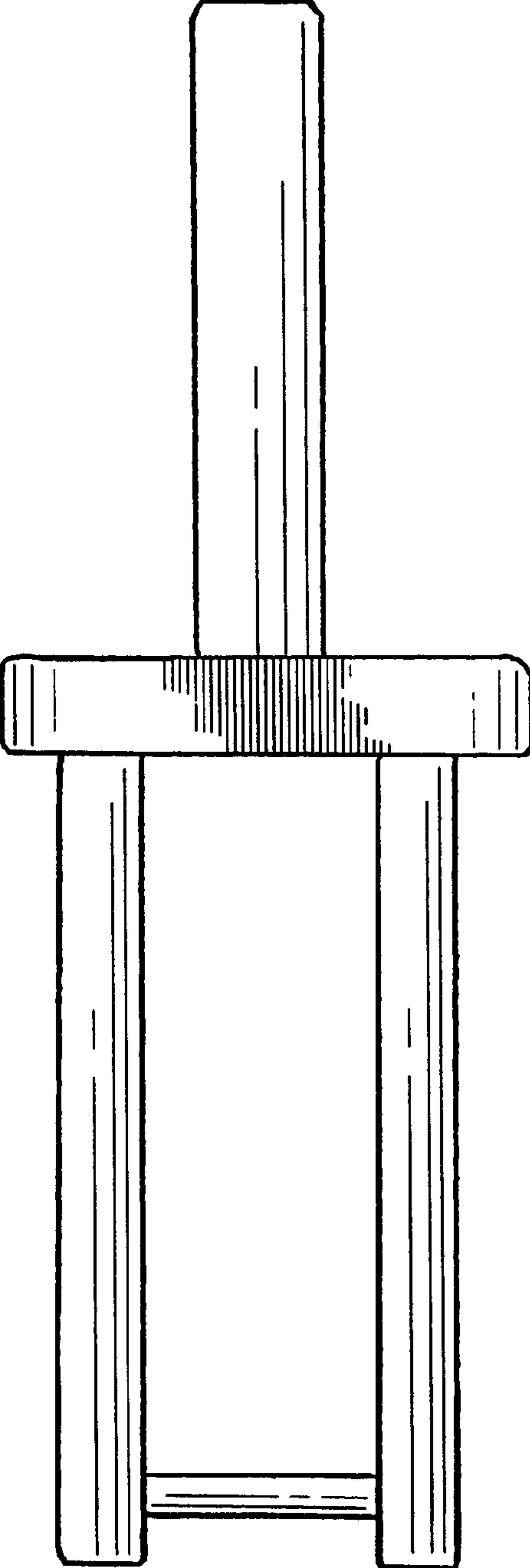


Fig. 1

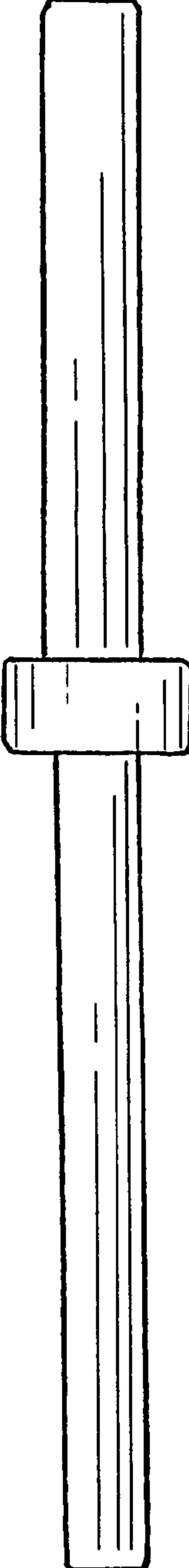


Fig. 2