



US00D514051S

(12) **United States Design Patent** (10) **Patent No.:** **US D514,051 S**
Sands (45) **Date of Patent:** **** Jan. 31, 2006**

(54) **VEHICLE WHEEL WITH TEN SPOKES**
(75) Inventor: **Perry W. Sands**, La Palma, CA (US)
(73) Assignee: **Performance Machine, Inc.**, La Palma, CA (US)
(**) Term: **14 Years**
(21) Appl. No.: **29/225,695**
(22) Filed: **Mar. 16, 2005**
(51) **LOC (8) Cl.** **12-16**
(52) **U.S. Cl.** **D12/211**
(58) **Field of Classification Search** D12/204–213;
301/37.101, 64.101, 65
See application file for complete search history.

D451,467 S 12/2001 Chung
D453,134 S 1/2002 Murkett et al.
D455,702 S 4/2002 Cullen
D457,118 S 5/2002 Bhambra
D457,119 S 5/2002 Braun et al.
D458,571 S 6/2002 Maifrini
D460,037 S 7/2002 Takechi
D466,464 S 12/2002 Hodges
D466,467 S 12/2002 Hodges
D467,855 S 12/2002 Laengerer
D468,250 S 1/2003 Donikoglu
D471,851 S 3/2003 McMath
D473,836 S * 4/2003 Laengerer D12/211
D477,262 S 7/2003 Koch
D477,556 S * 7/2003 Koch D12/211
D478,307 S 8/2003 Maifrini
D481,346 S 10/2003 Vian
D482,308 S 11/2003 Lee
D482,309 S * 11/2003 Sulahian D12/211
D485,524 S 1/2004 Bhambra
D490,760 S * 6/2004 Sands D12/209
D493,763 S * 8/2004 Sands D12/211
D494,122 S 8/2004 Sands
D494,219 S 8/2004 Arita
D495,284 S * 8/2004 Sands D12/209
D504,382 S * 4/2005 Elmitt D12/211

(56) **References Cited**
U.S. PATENT DOCUMENTS

D52,687 S 11/1918 West
D382,530 S 8/1997 Raudman et al.
D403,289 S 12/1998 Watanabe
D413,851 S 9/1999 Donikoglu
D413,853 S 9/1999 Hale, Jr.
D414,454 S 9/1999 Chung
D418,797 S 1/2000 Chung
D419,516 S 1/2000 Gagnon
D419,946 S 2/2000 Goplen
D419,947 S 2/2000 Chung
D420,320 S 2/2000 Khoury
D421,953 S 3/2000 Sims et al.
D422,258 S 4/2000 Hale, Jr.
D431,222 S 9/2000 Vian
D432,973 S 10/2000 Fitzgerald
D432,975 S 10/2000 Chung
D436,911 S 1/2001 Chung
D436,914 S 1/2001 Vian
D438,503 S 3/2001 Syring
D441,339 S 5/2001 Hussaini et al.
D444,119 S 6/2001 Brintouch
D445,078 S 7/2001 Chung
D445,793 S 7/2001 Ji
D451,461 S 12/2001 Arellano

* cited by examiner

Primary Examiner—Stacia Cadmus
(74) *Attorney, Agent, or Firm*—David Pressman

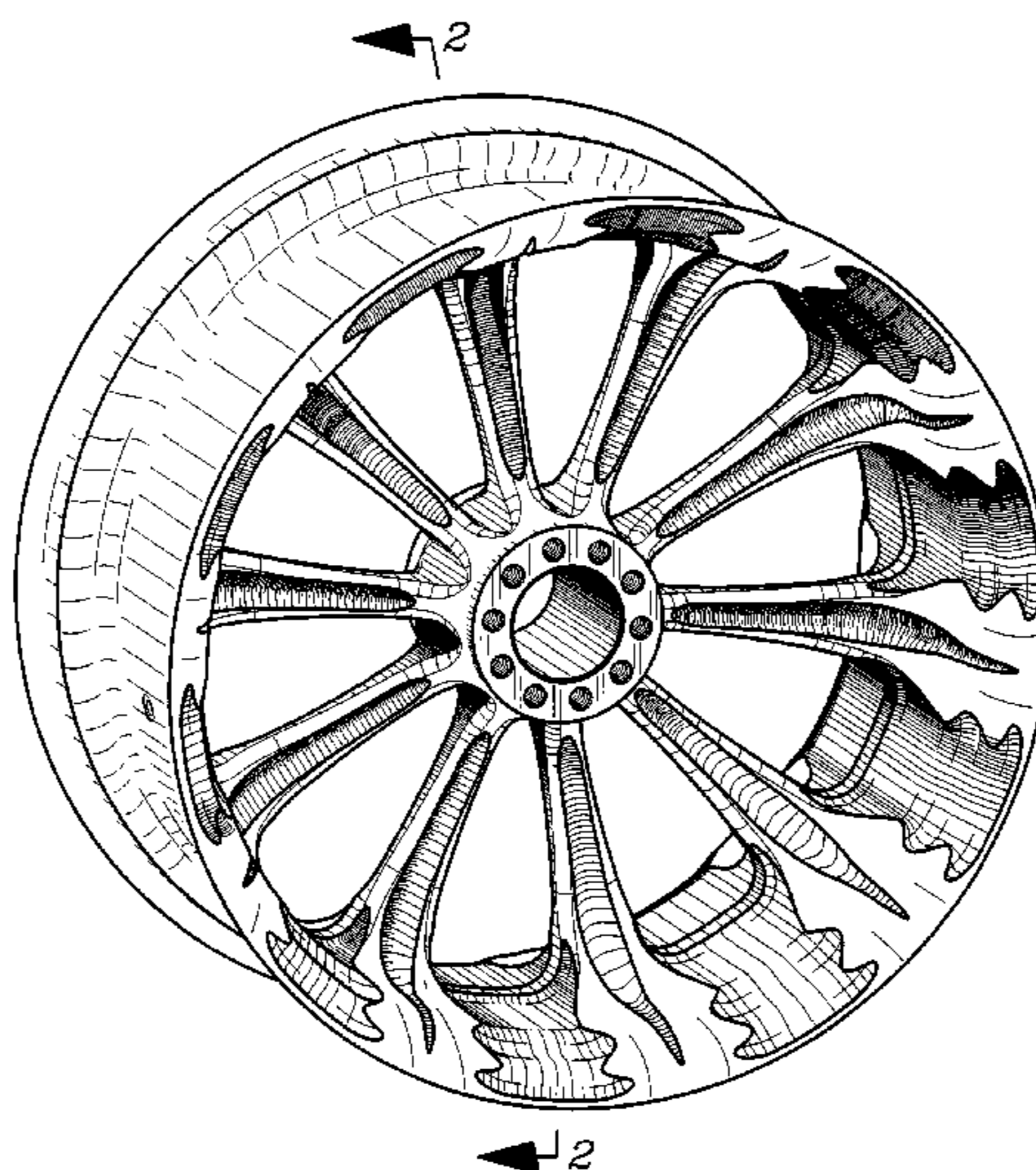
(57) **CLAIM**

The ornamental design for a vehicle wheel with ten spokes, as shown and described.

DESCRIPTION

FIG. 1 is a perspective view of the front or outer side of a vehicle wheel with ten spokes according to my invention. The inner or rear side of the wheel is identical to the front side and the outer ends of all spokes are identical; and, FIG. 2 is a cross-sectional view of the wheel of FIG. 1 taken along the lines 2—2 of FIG. 1.

1 Claim, 2 Drawing Sheets



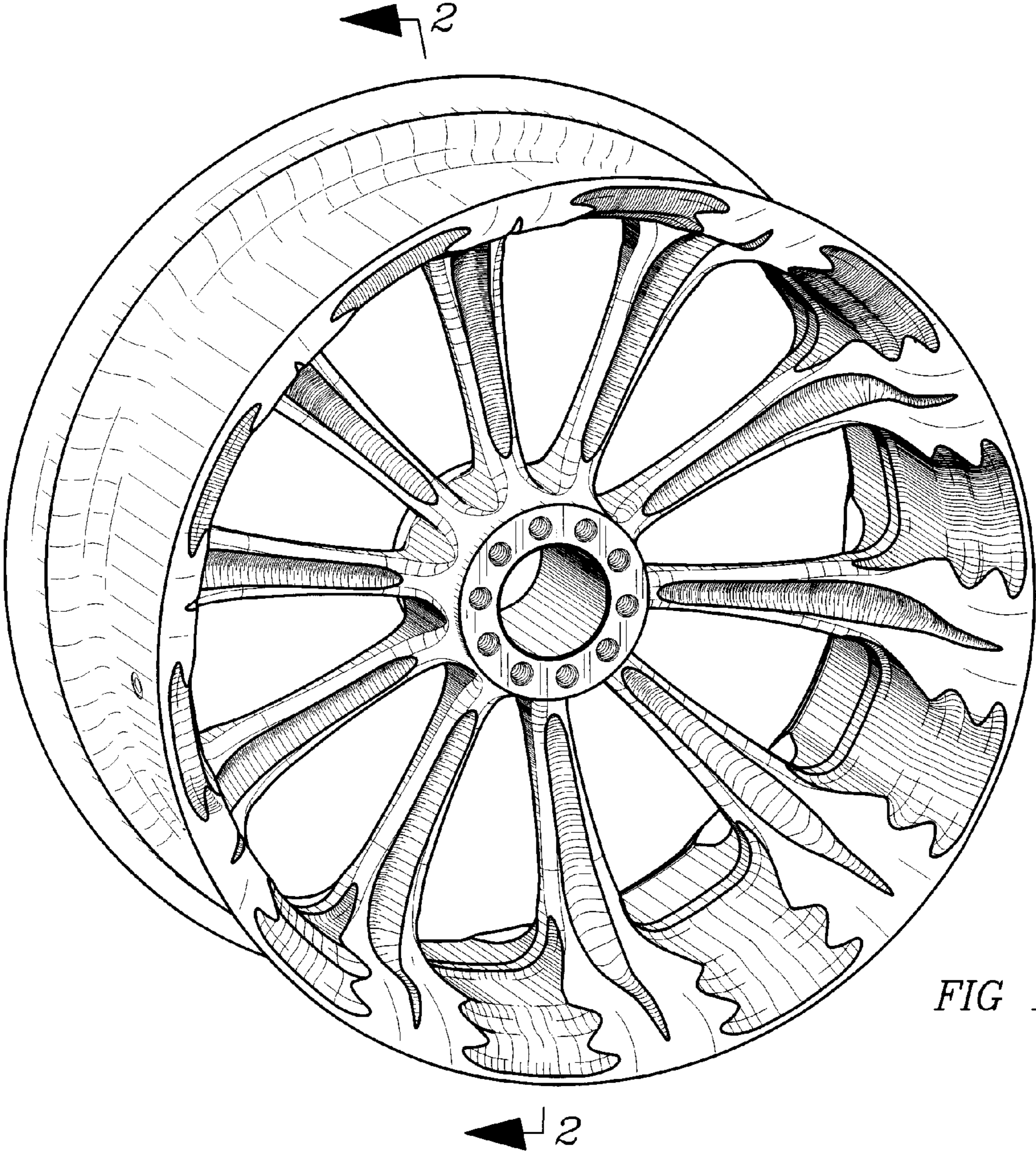


FIG 1

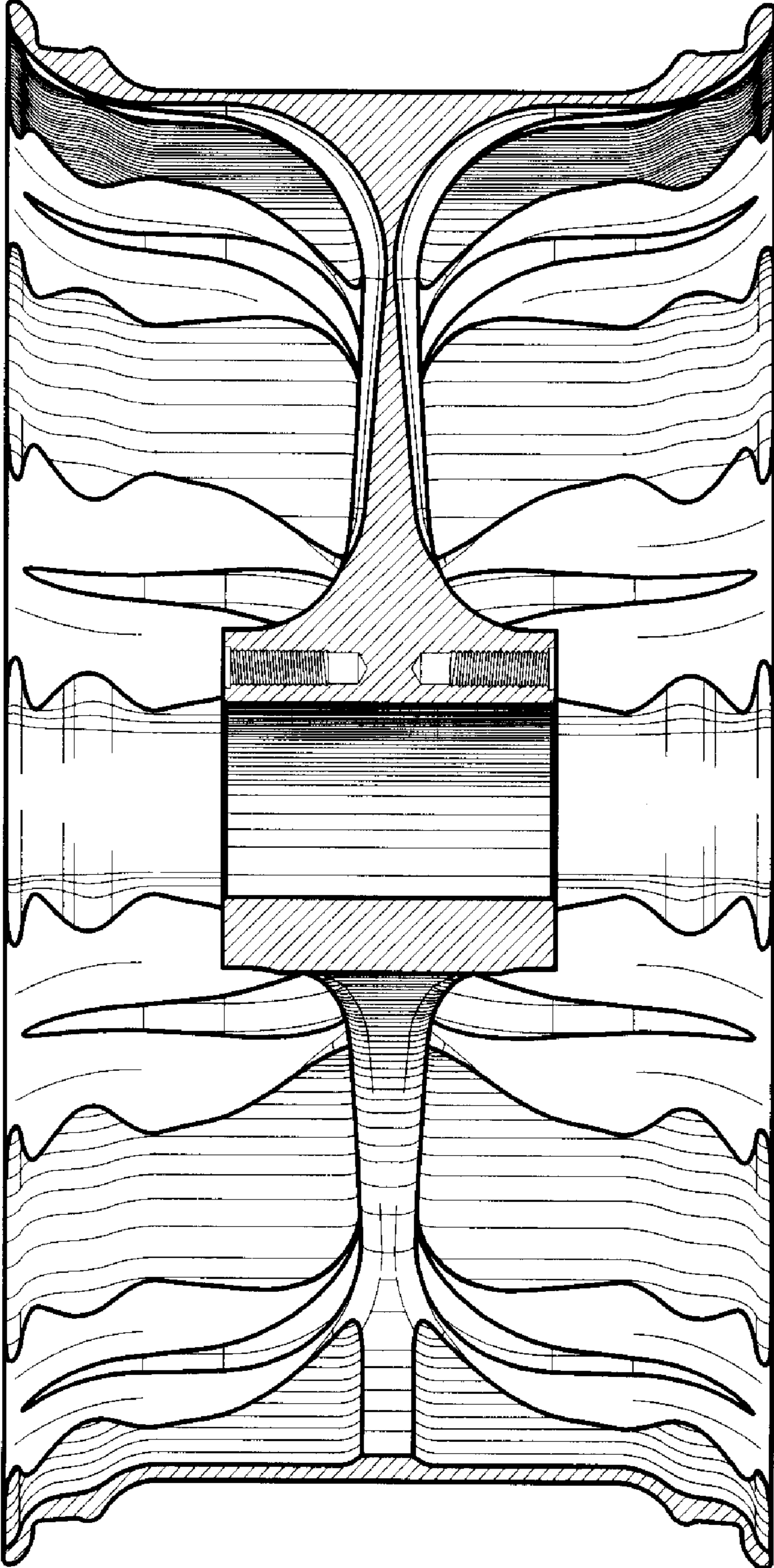


FIG 2