

US00D514050S

(12) **United States Design Patent**
Scheu

(10) **Patent No.:** **US D514,050 S**
(45) **Date of Patent:** **** Jan. 31, 2006**

(54) **FRONT FACE OF A VEHICLE WHEEL**

(75) **Inventor:** **Armin Scheu, Stuttgart (DE)**

(73) **Assignee:** **DaimlerChrysler AG, Stuttgart (DE)**

(**) **Term:** **14 Years**

(21) **Appl. No.:** **29/202,827**

(22) **Filed:** **Apr. 6, 2004**

(30) **Foreign Application Priority Data**

Oct. 7, 2003 (DE) 4 03 06 473

(51) **LOC (8) Cl.** **12-16**

(52) **U.S. Cl.** **D12/211**

(58) **Field of Classification Search** D12/204-213;
301/37.101, 64.101, 65
See application file for complete search history.

(56) **References Cited**

U.S. PATENT DOCUMENTS

D451,877 S	*	12/2001	Lee	D12/211
D467,213 S	*	12/2002	Pfeiffer et al.	D12/211
D470,094 S	*	2/2003	van Hooydonk	D12/211
D480,036 S	*	9/2003	Laengerer	D12/211
D481,348 S	*	10/2003	Kang	D12/211
D482,647 S	*	11/2003	Lecher et al.	D12/211
D485,223 S	*	1/2004	Pfeiffer et al.	D12/209

D486,111 S	*	2/2004	Weidhase	D12/211
D487,717 S	*	3/2004	Lenz	D12/211
D496,899 S	*	10/2004	Kaucher	D12/211
D499,062 S	*	11/2004	Cheng	D12/209
D500,278 S	*	12/2004	Huet	D12/211
D501,817 S	*	2/2005	Pfeiffer	D12/211
D502,137 S	*	2/2005	Blum	D12/211

* cited by examiner

Primary Examiner—Stacia Cadmus

(74) *Attorney, Agent, or Firm*—Crowell & Moring LLP

(57) **CLAIM**

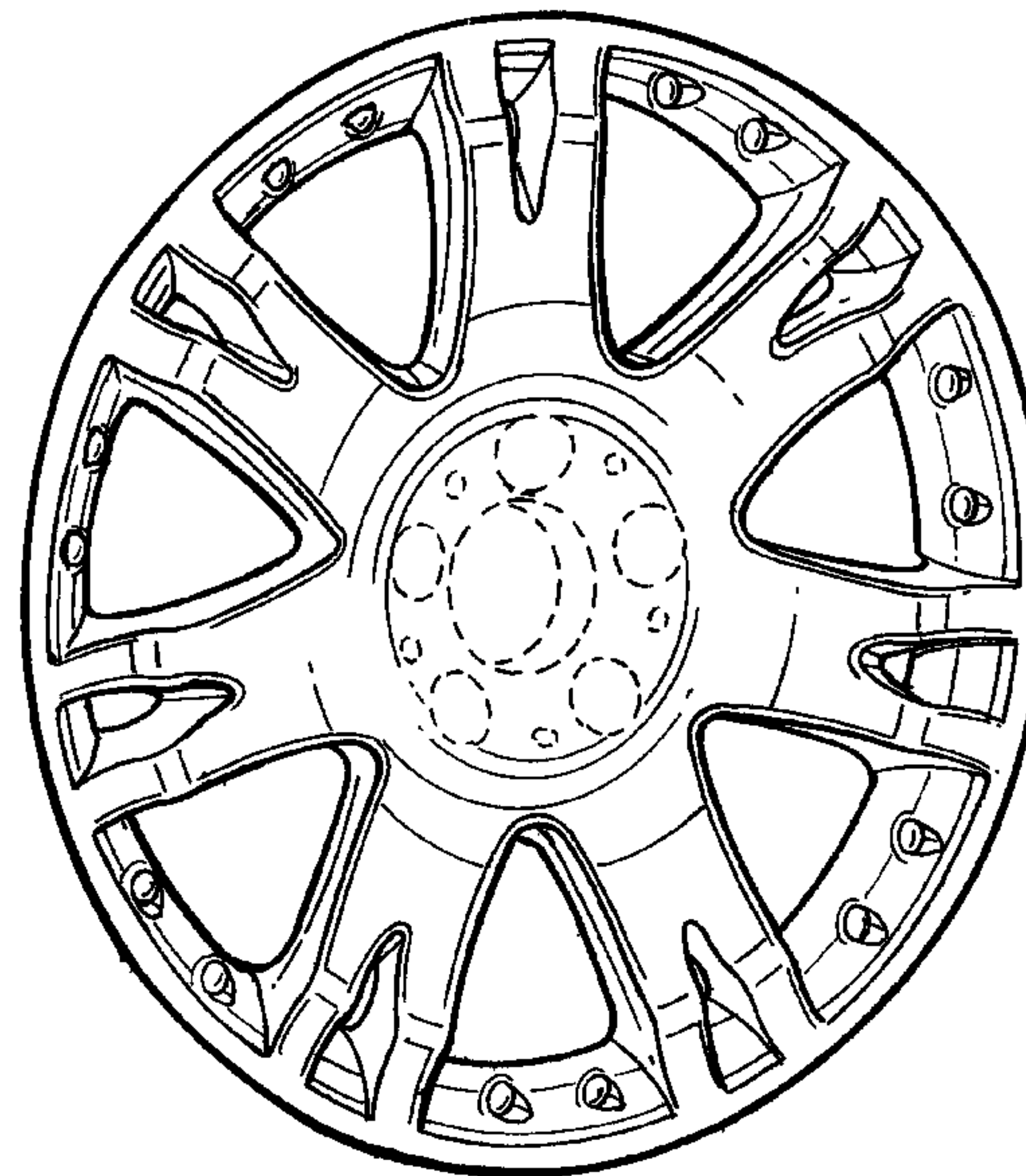
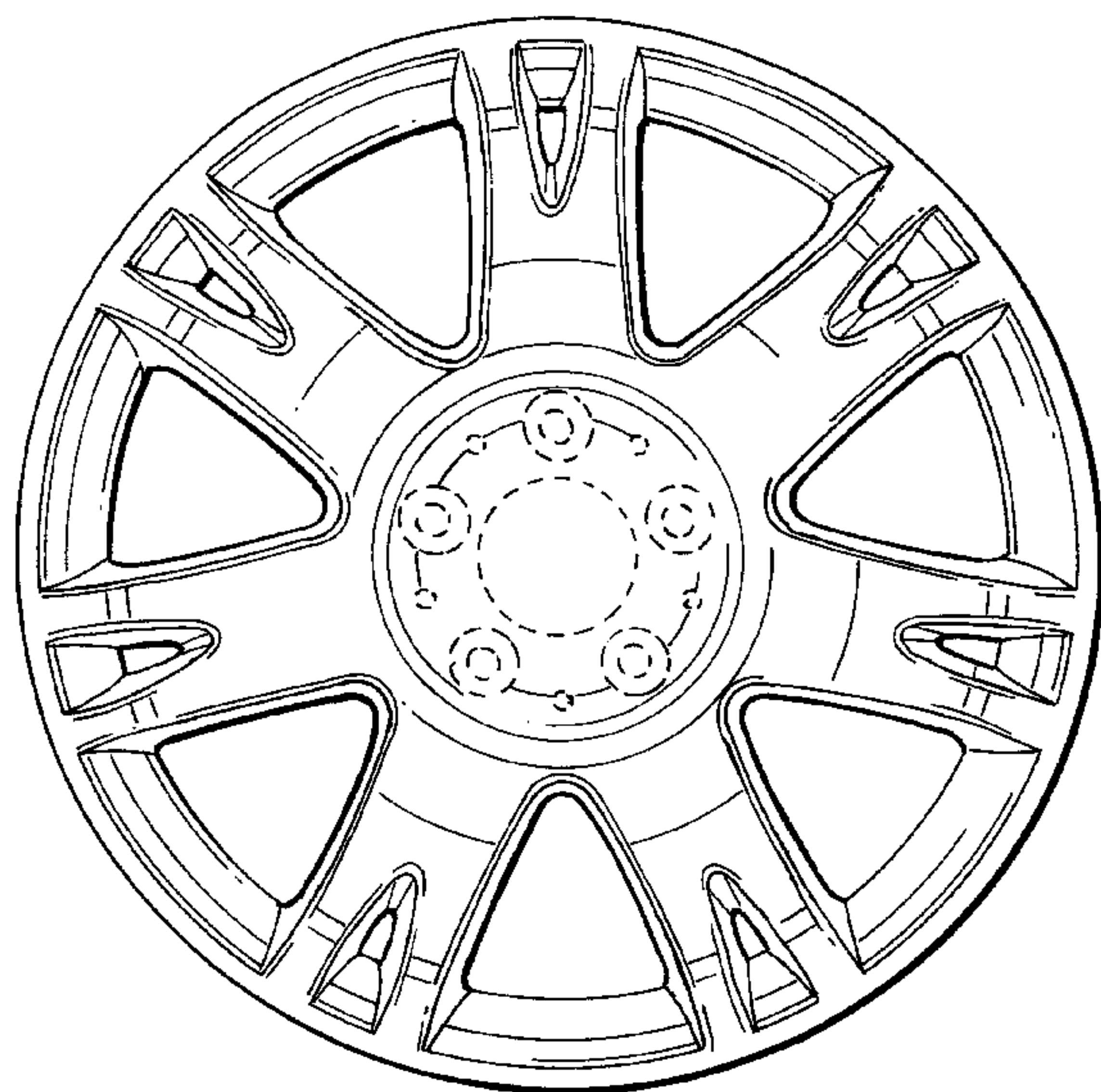
The ornamental design for a front face of a vehicle wheel, as shown and described.

DESCRIPTION

FIG. 1 is a front view of a first embodiment of a front face of a vehicle wheel according to my novel design; FIG. 2 is a perspective view of the first embodiment of the front face of a vehicle wheel according to my novel design; FIG. 3 is a front view of a second embodiment of the front face of a vehicle wheel according to my novel design; and, FIG. 4 is a perspective view of the second embodiment of the front face of a vehicle wheel according to my novel design.

The broken lines are for illustrative purposes only and form no part of the claimed design.

1 Claim, 2 Drawing Sheets



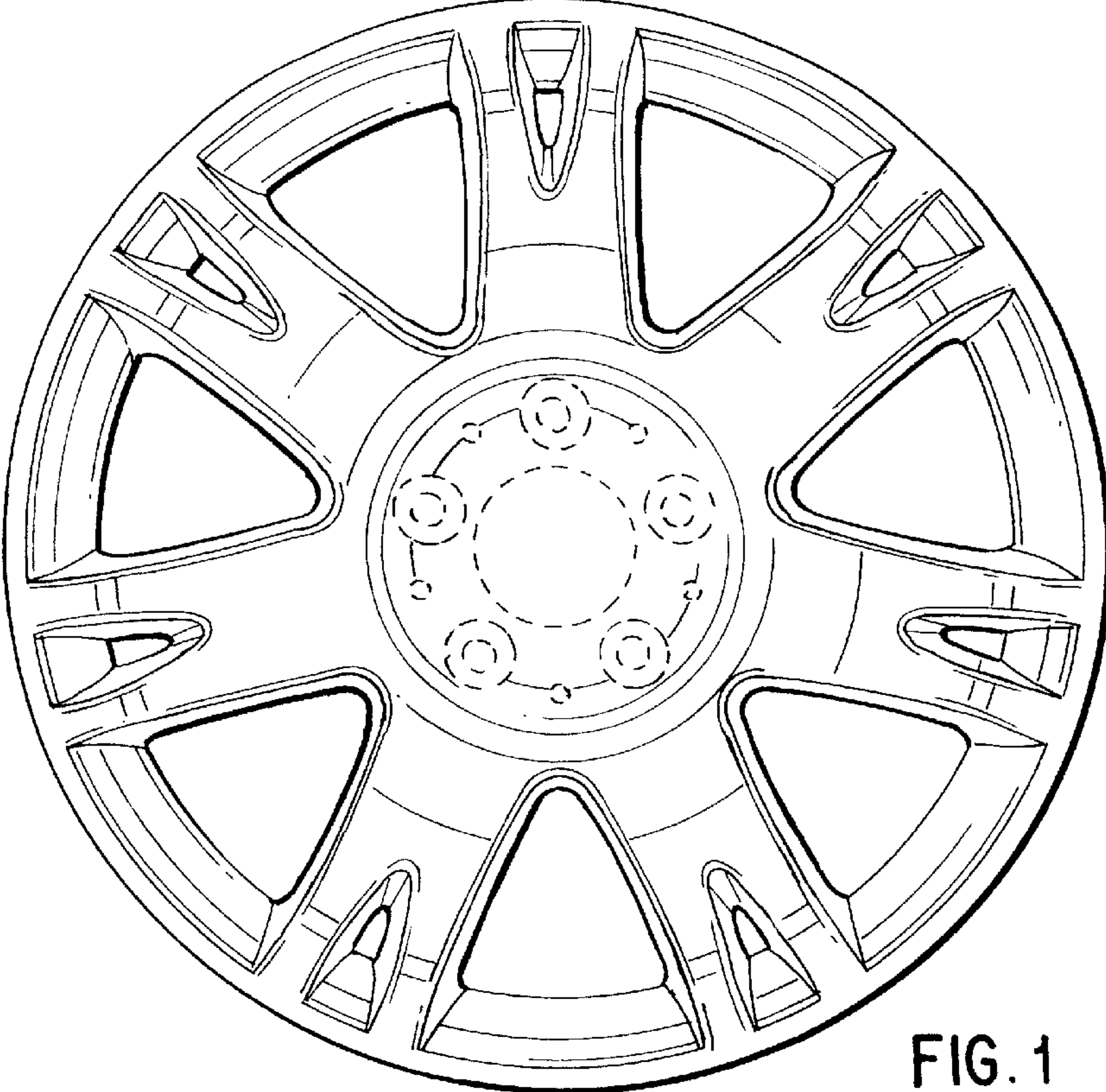


FIG. 1

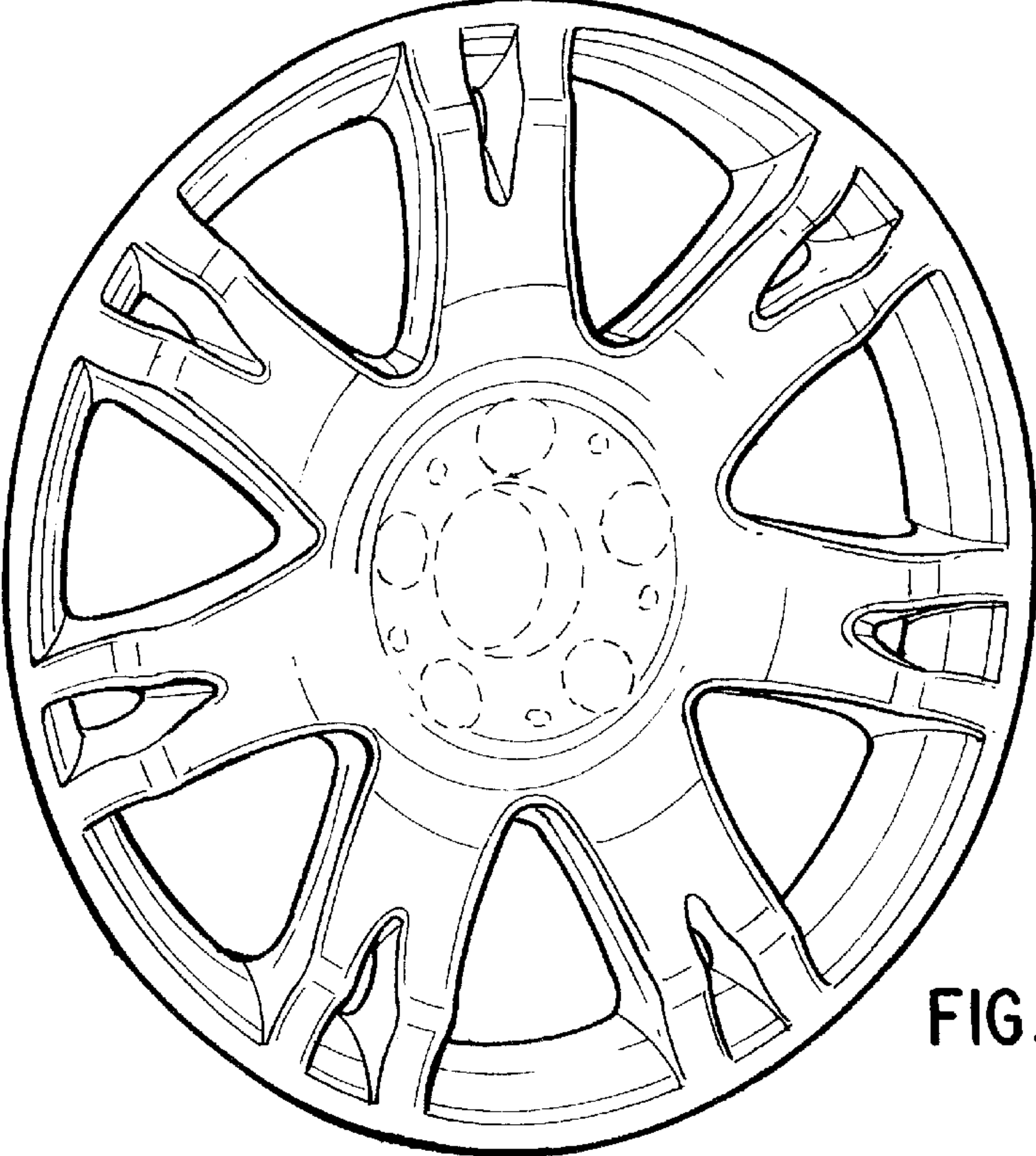


FIG. 2

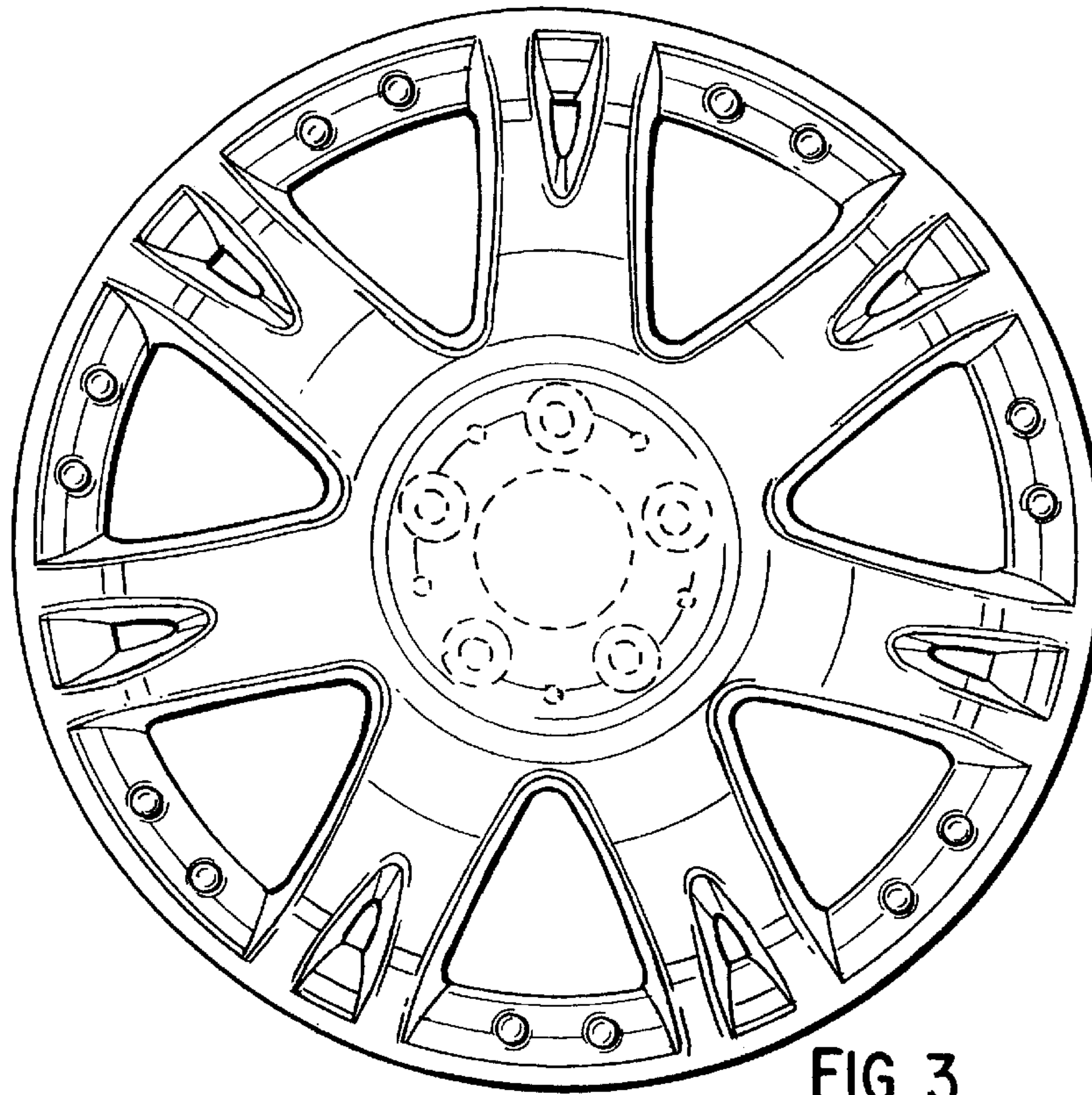


FIG. 3

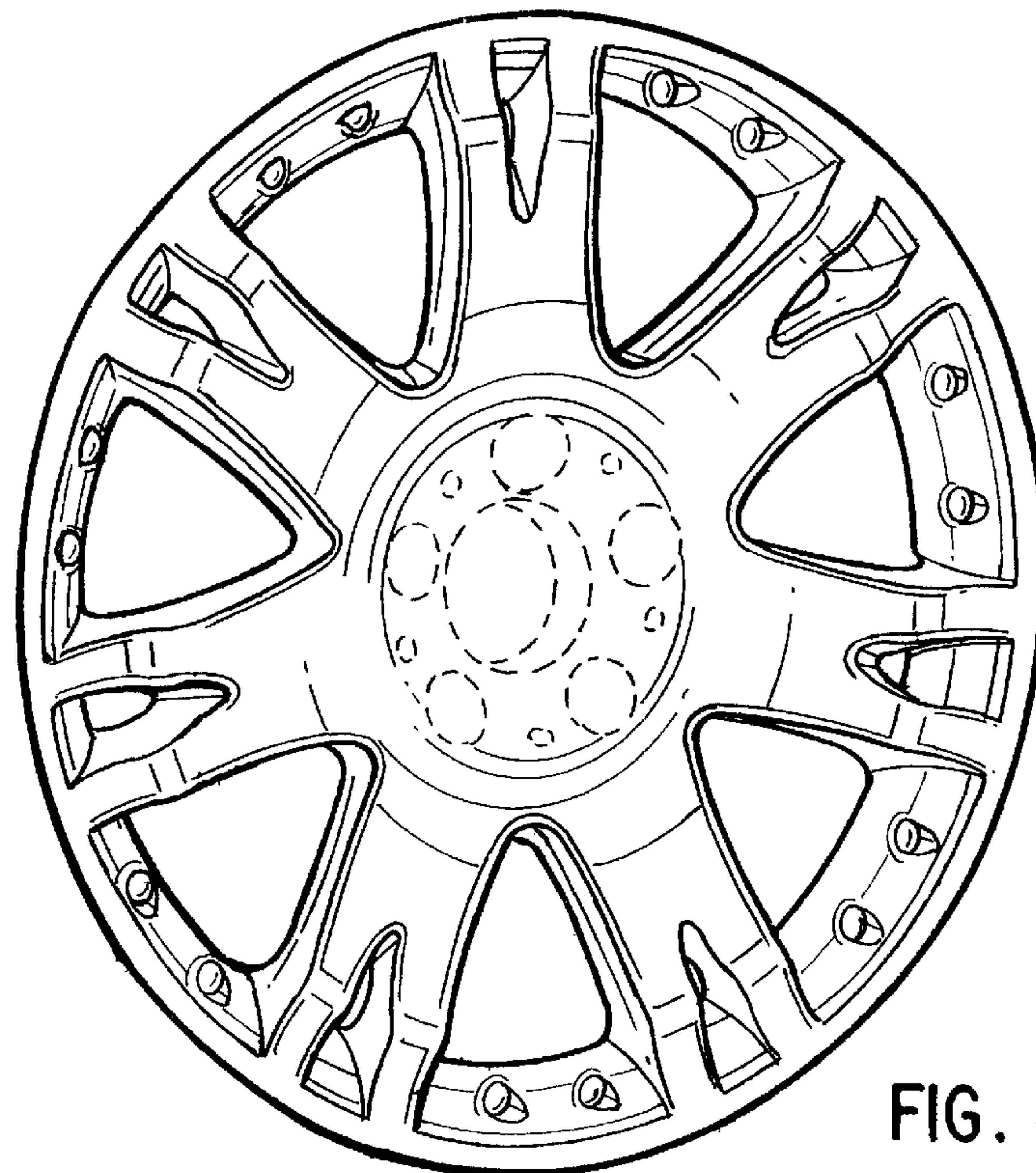


FIG. 4