



US00D514046S

(12) **United States Design Patent**
Ettensberger

(10) **Patent No.:** **US D514,046 S**
(45) **Date of Patent:** **** Jan. 31, 2006**

(54) **FRONT FACE OF A VEHICLE WHEEL**

(76) **Inventor:** **Claus Ettensberger**, 16200 S. Figueroa St., Gardena, CA (US) 90248

(**) **Term:** **14 Years**

(21) **Appl. No.:** **29/220,323**

(22) **Filed:** **Dec. 30, 2004**

(51) **LOC (8) Cl.** **12-16**

(52) **U.S. Cl.** **D12/209**

(58) **Field of Classification Search** D12/204-213;
301/37.101, 64.101, 65

See application file for complete search history.

(56) **References Cited**

U.S. PATENT DOCUMENTS

D396,839 S	*	8/1998	Cullen	D12/211
D403,291 S	*	12/1998	Cullen	D12/211
D409,553 S	*	5/1999	Neeper	D12/211
D449,811 S	*	10/2001	Fitzgerald	D12/211
D469,728 S	*	2/2003	Kataoka	D12/209

D480,032 S	*	9/2003	Muzzarelli	D12/209
D480,344 S	*	10/2003	Muzzarelli	D12/209
D481,000 S	*	10/2003	Wartono	D12/209
D487,043 S	*	2/2004	McMath	D12/209
D493,405 S	*	7/2004	Boyer	D12/211

* cited by examiner

Primary Examiner—Stacia Cadmus

(74) *Attorney, Agent, or Firm*—Berenato, White & Stavish LLC

(57) **CLAIM**

The ornamental design for a front face of a vehicle wheel, as shown and described.

DESCRIPTION

FIG. 1 is a top and left side perspective view of a front face of a vehicle wheel, showing my new design; and, FIG. 2 is a front view thereof.

The broken line showing of environment is for illustrative purposes only and forms no part of the claimed design.

1 Claim, 2 Drawing Sheets

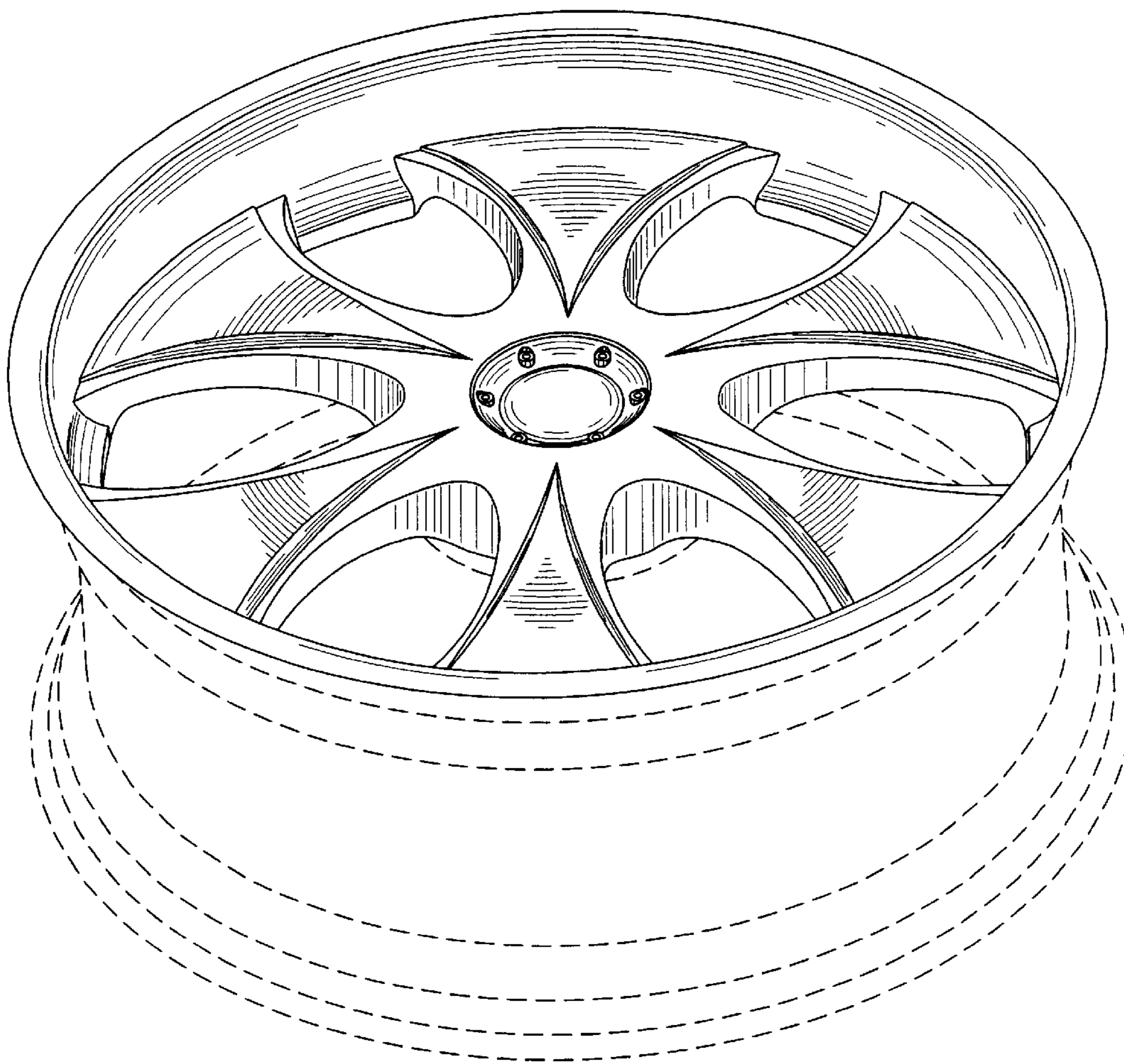


Fig. 1

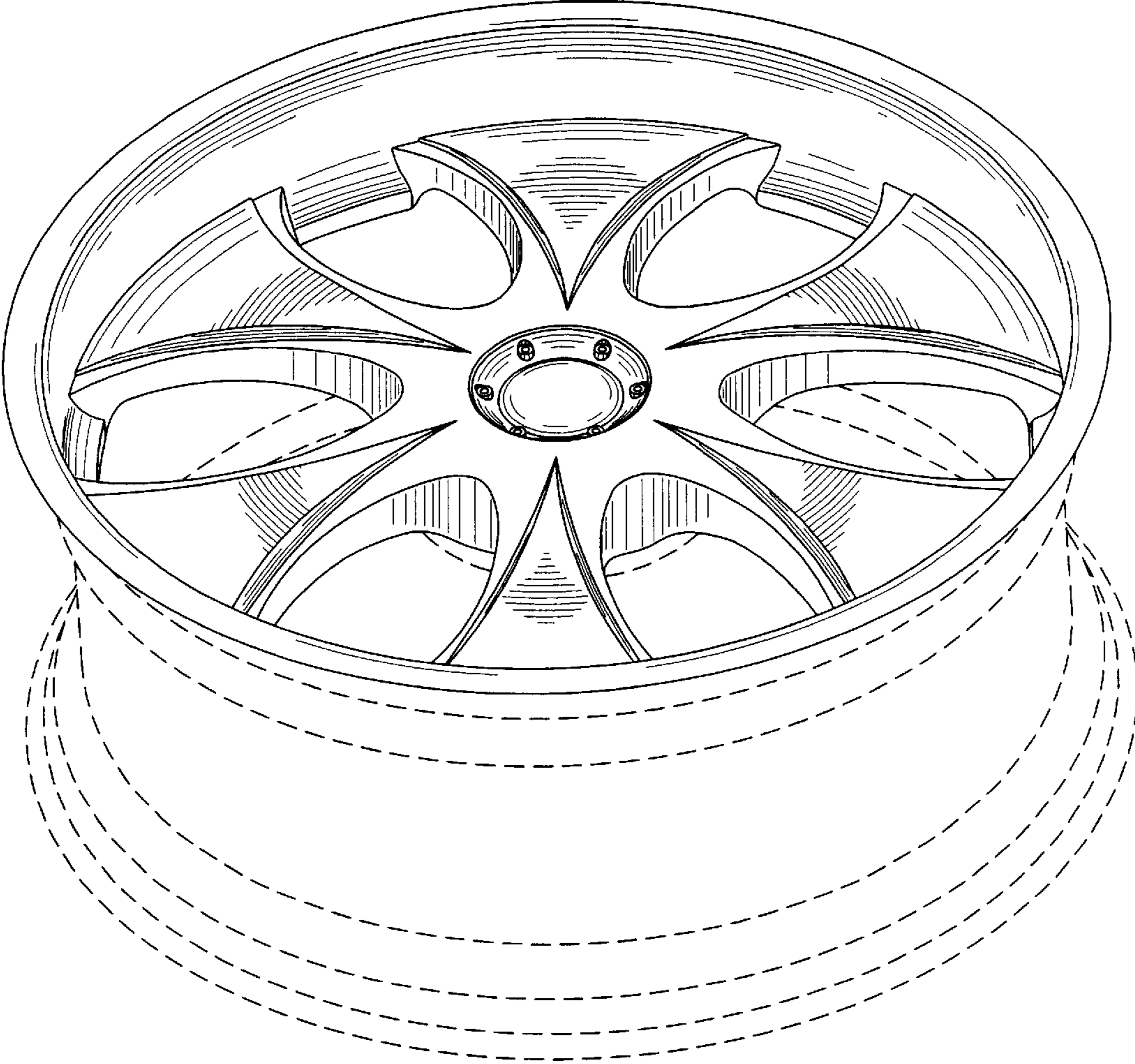


Fig. 2

