



US00D514040S

(12) **United States Design Patent**
Cheng et al.

(10) **Patent No.:** **US D514,040 S**
(45) **Date of Patent:** **** Jan. 31, 2006**

(54) **SIX-SHOOTER VEHICLE GEAR-SHIFT KNOB**

D441,700 S * 5/2001 Lane D12/179

* cited by examiner

(76) Inventors: **John C. Cheng**, 768 S. Turnbull Canyon Rd., City of Industry, CA (US) 91745; **Calvin Wang**, 768 S. Turnbull Canyon Rd., City of Industry, CA (US) 91745

Primary Examiner—Melody N. Brown
(74) *Attorney, Agent, or Firm*—Albert O. Cota

(**) **Term:** **14 Years**

(57) **CLAIM**

The ornamental design for a six-shooter vehicle gear-shift knob, as shown and described.

(21) **Appl. No.:** **29/205,168**

DESCRIPTION

(22) **Filed:** **May 11, 2004**

(51) **LOC (8) Cl.** **12-16**

(52) **U.S. Cl.** **D12/179**

(58) **Field of Classification Search** D12/179;
D8/303, 305; 74/475, 489, 512, 523, 473.16
See application file for complete search history.

FIG. 1 is a right side elevational view of a six-shooter vehicle gear-shift knob showing our new design. The knob is shown attached to a vehicle gear-shift lever which is shown in broken lines for illustrative purposes only and forms no part of the claimed design.

FIG. 2 is a right side elevational view thereof, the left side being a mirror image thereof;

FIG. 3 is a top plan view thereof; the bottom plan view being a mirror image thereof;

FIG. 4 is a front elevational view thereof; and,

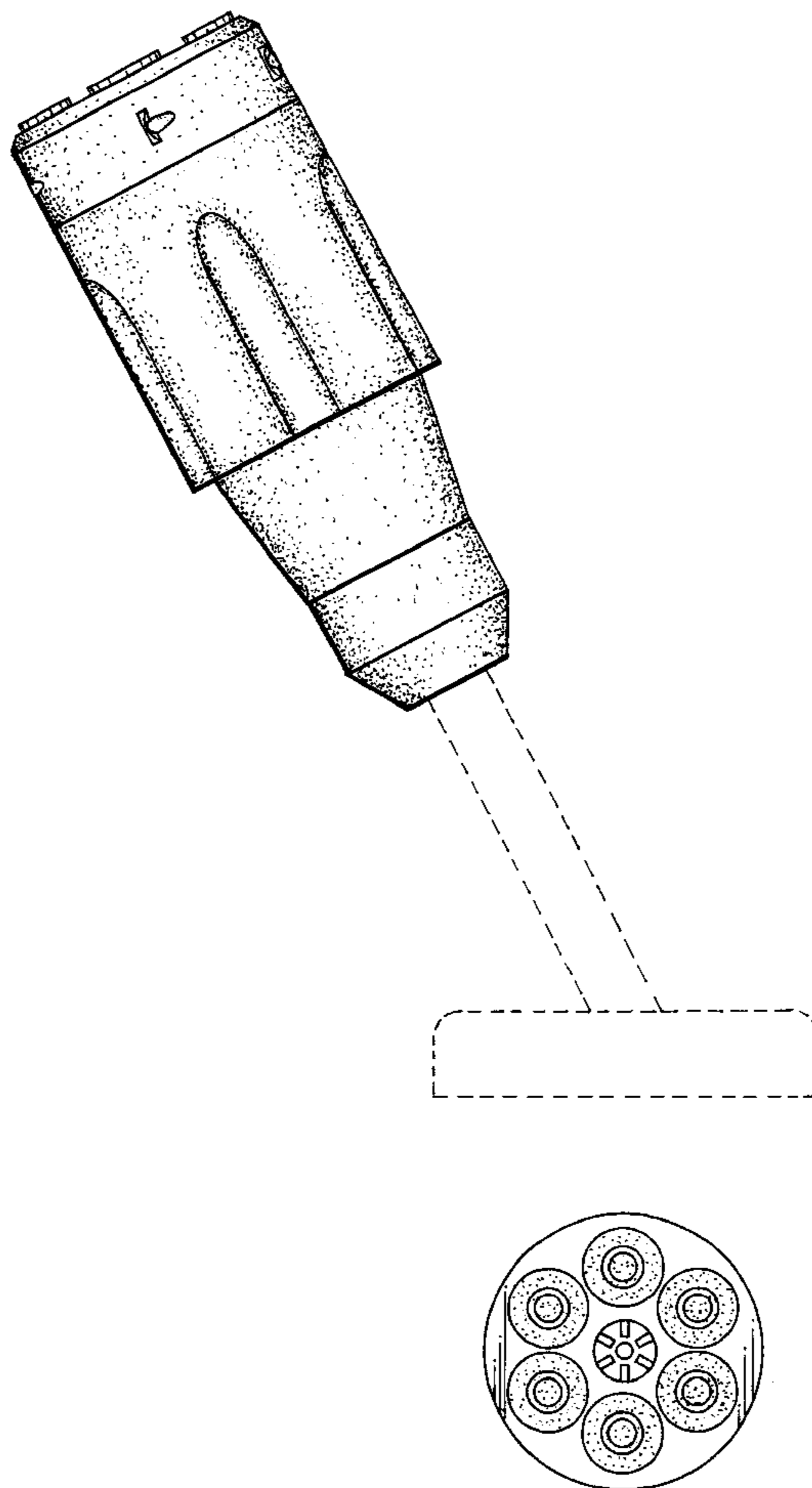
FIG. 5 is a rear elevational view thereof.

(56) **References Cited**

U.S. PATENT DOCUMENTS

- D113,246 S * 2/1939 Trahan D12/179
- D408,339 S * 4/1999 Hussaini D12/179
- D428,371 S * 7/2000 Marsh D12/179

1 Claim, 3 Drawing Sheets



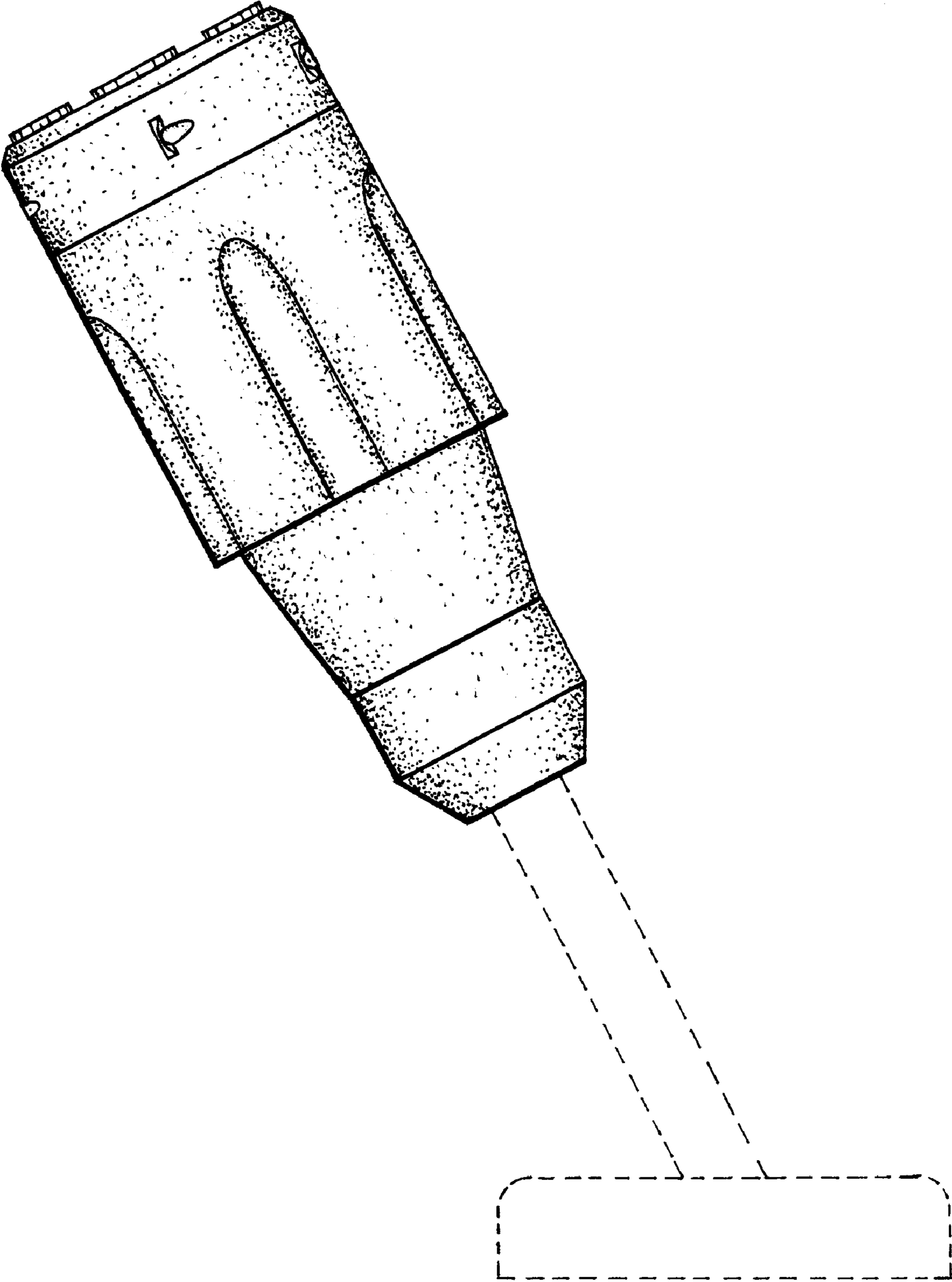


Fig. 1

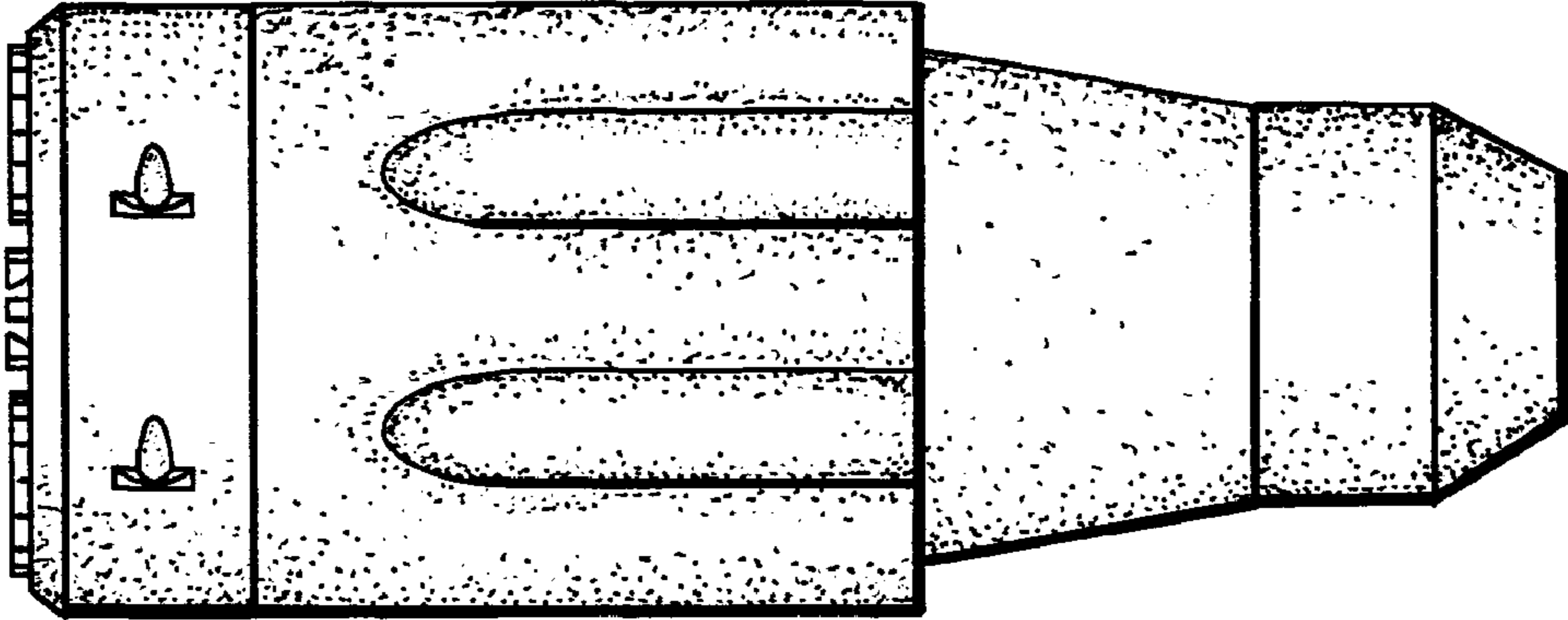


Fig. 2

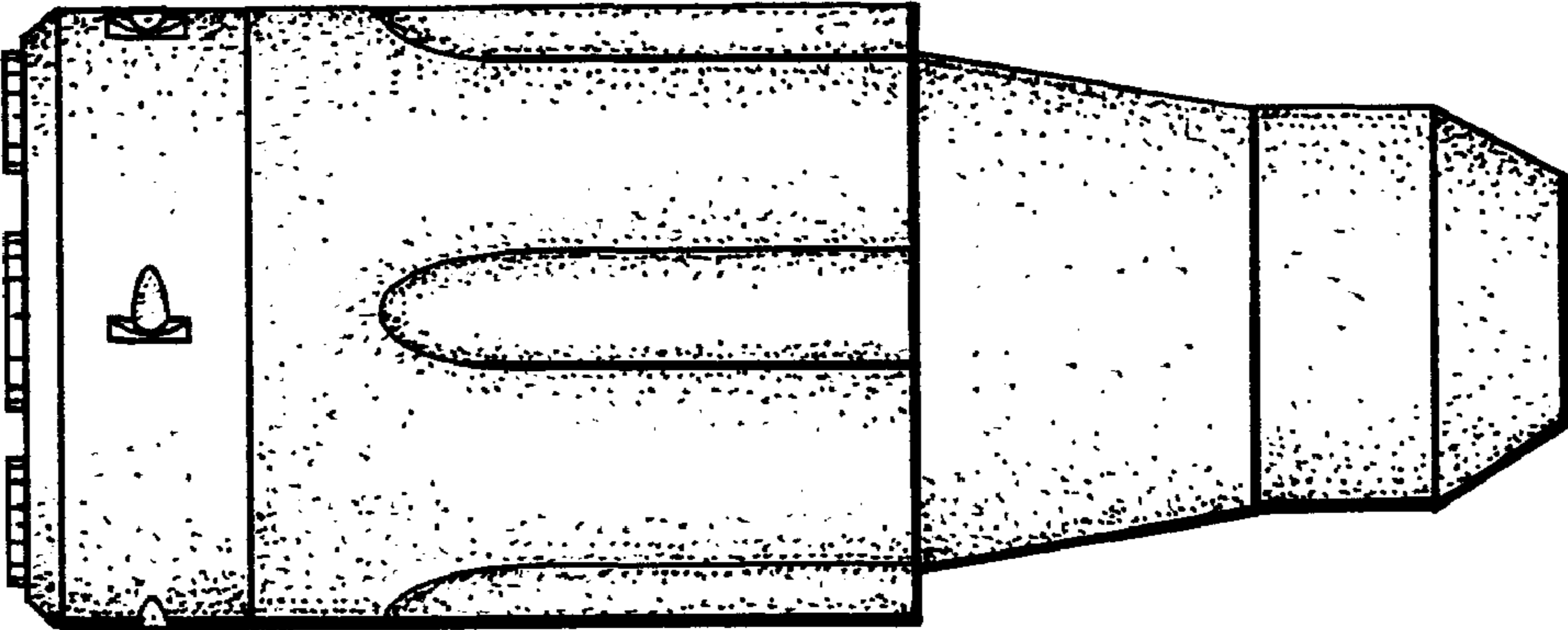


Fig. 3

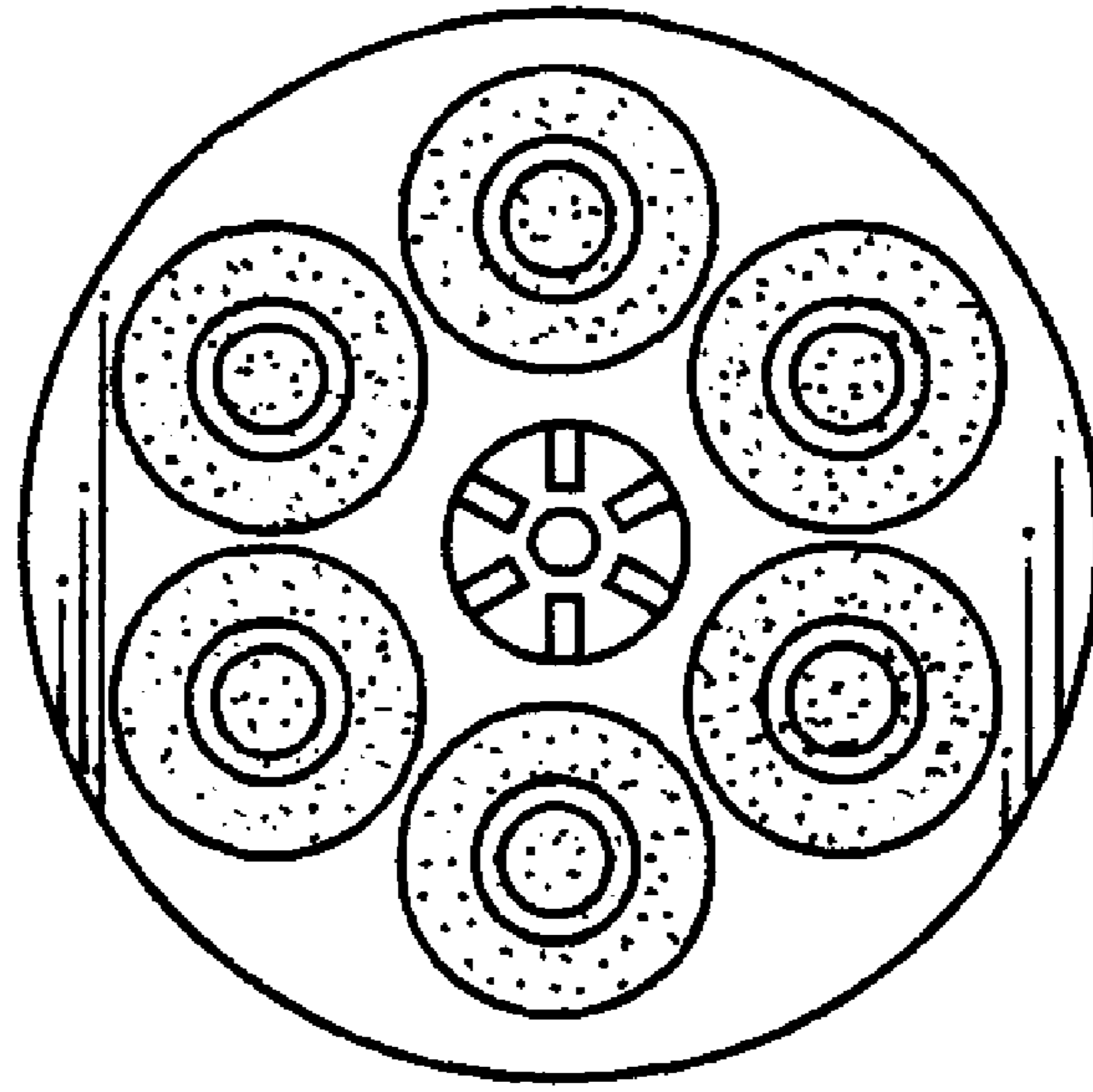


Fig. 4

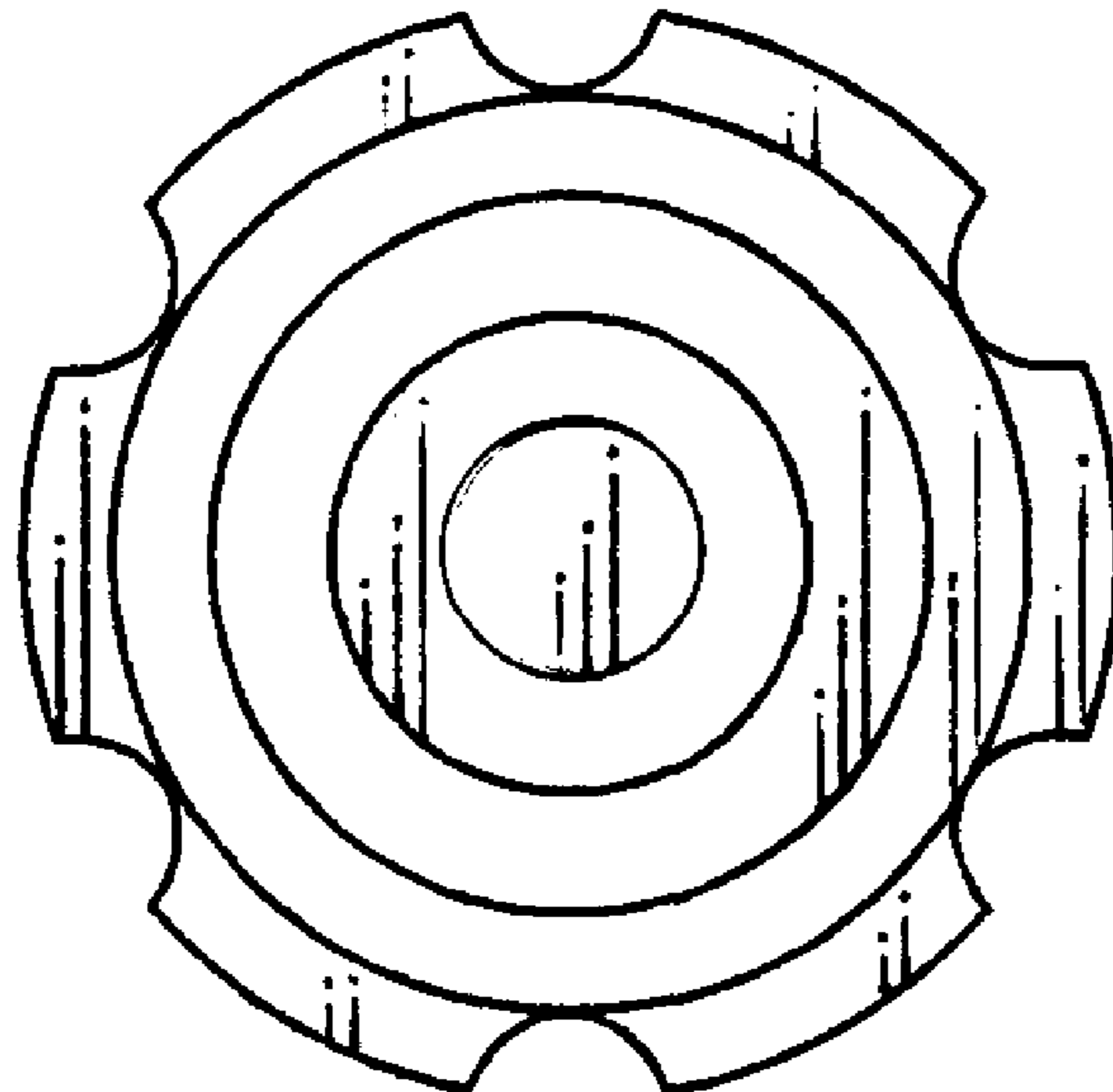


Fig. 5