



US00D514038S

(12) **United States Design Patent**
Chan

(10) **Patent No.:** **US D514,038 S**
(45) **Date of Patent:** **** Jan. 31, 2006**

(54) **DECORATIVE FRONT BUMPER OF A VEHICLE**

(75) Inventor: **Chung Chan**, Diamond Bar, CA (US)

(73) Assignee: **VIS Racing Sports, Inc.**, City of Industry, CA (US)

(**) Term: **14 Years**

(21) Appl. No.: **29/220,114**

(22) Filed: **Dec. 23, 2004**

(51) **LOC (8) Cl.** **12-16**

(52) **U.S. Cl.** **D12/169**

(58) **Field of Classification Search** D12/90-92,
D12/86, 169, 196, 163; 296/180.1, 180.2;
293/102, 113, 115, 117, 120
See application file for complete search history.

(56) **References Cited**

U.S. PATENT DOCUMENTS

- D470,804 S 2/2003 Chan
- D471,494 S 3/2003 Chan
- D473,169 S 4/2003 Chan
- D481,338 S 10/2003 Chan
- D481,657 S * 11/2003 Chan D12/169

- D486,432 S 2/2004 Chan
- D487,038 S 2/2004 Chan
- D499,676 S * 12/2004 Chan D12/169
- D502,676 S * 3/2005 Chan D12/169
- D504,365 S * 4/2005 Pfeiffer D12/169

* cited by examiner

Primary Examiner—Melody N. Brown

(74) *Attorney, Agent, or Firm*—Joel D. Voelzke

(57) **CLAIM**

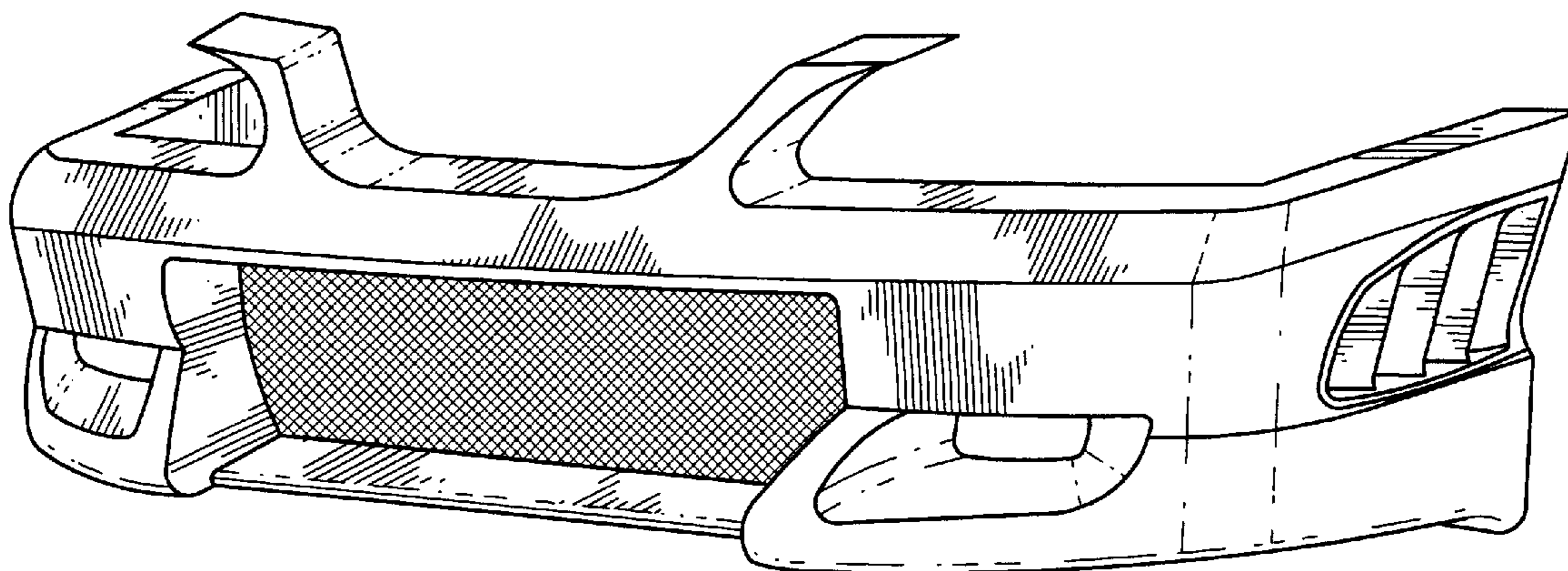
The ornamental design for a decorative front bumper of a vehicle, as shown and described.

DESCRIPTION

The FIG. 1 is a front and right side perspective view of a decorative front bumper of a vehicle showing my new design; and, FIG. 2 is a front and side perspective view looking from the left thereof.

The rear view of the surface that faces the automobile when installed is omitted and is not part of the claimed design. The automobile portions shown in broken lines are for illustrative purposes only and form no part of the claimed design.

1 Claim, 1 Drawing Sheet



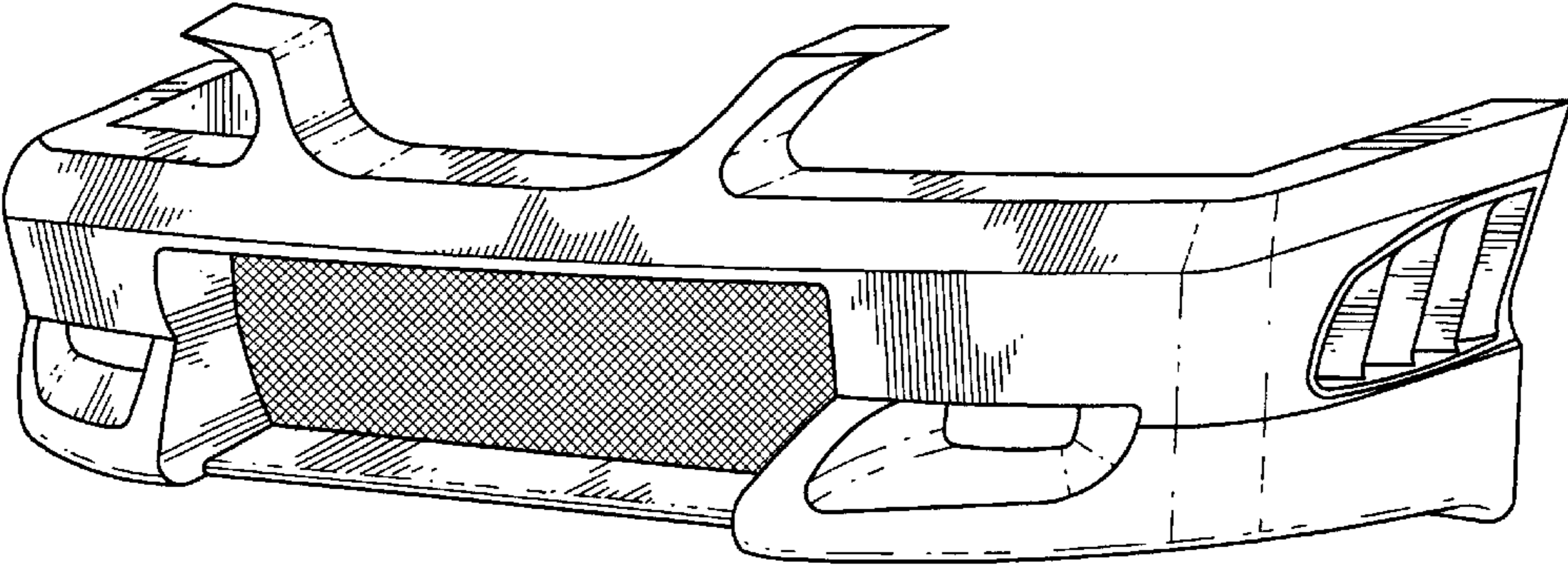


FIG. 1

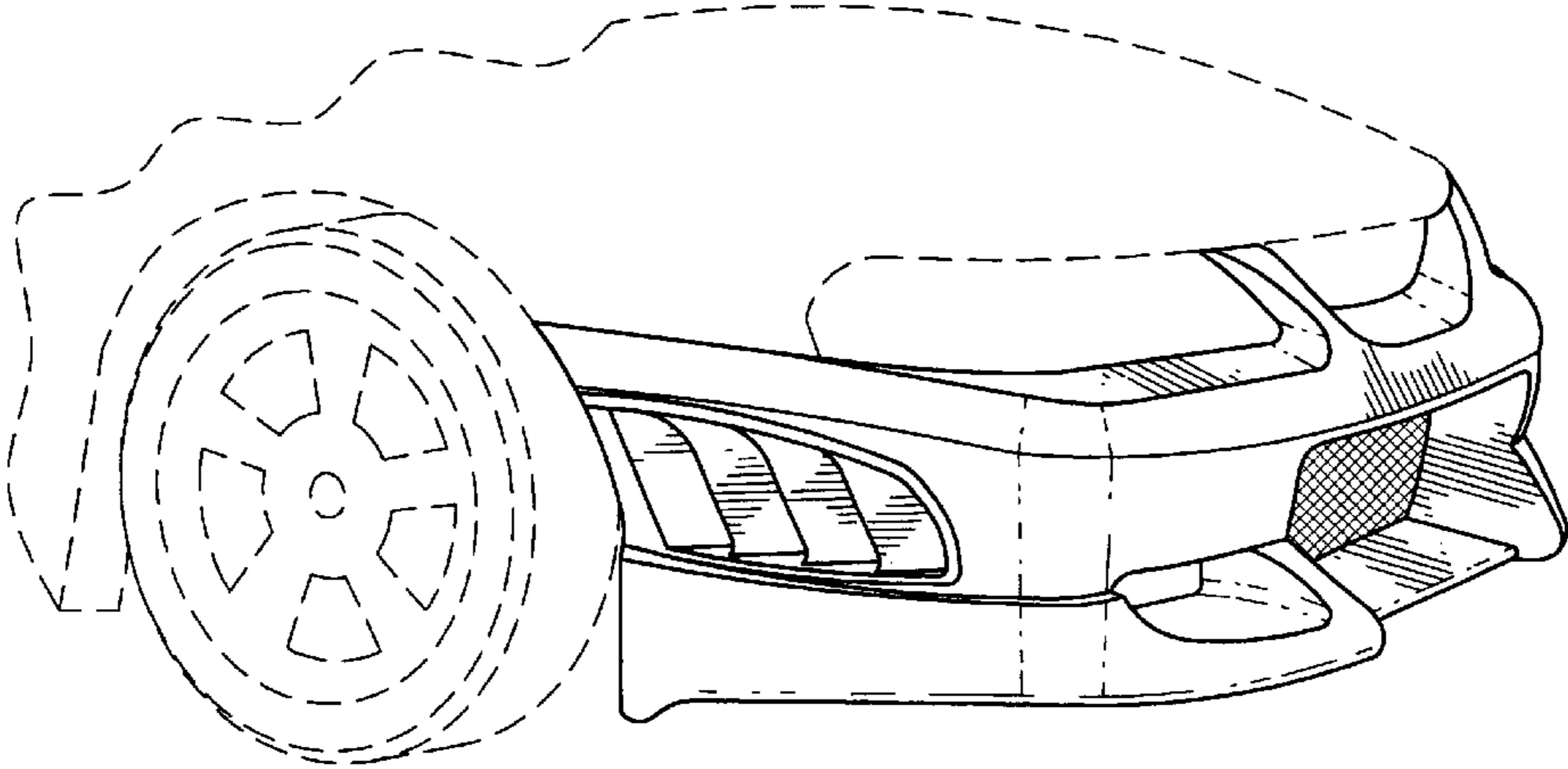


FIG. 2