



US00D514036S

(12) **United States Design Patent**
Fox et al.

(10) **Patent No.:** **US D514,036 S**
(45) **Date of Patent:** **** Jan. 31, 2006**

(54) **INFANT TANDEM STROLLER**
(75) Inventors: **Daniel R. Fox**, Greenville, OH (US);
Mark W. Geis, Tipp City, OH (US)
(73) Assignee: **Evenflo Company, Inc.**, Vandalia, OH
(US)
(**) Term: **14 Years**

6,302,412 B1 10/2001 Worth et al.
6,361,056 B1 3/2002 Chen et al.
6,390,427 B1 5/2002 McConnell et al.
6,409,205 B1 6/2002 Bapst et al.
D463,329 S * 9/2002 Yang et al. D12/129
D465,754 S * 11/2002 Huang D12/129
D474,427 S * 5/2003 Huang D12/129
D486,099 S * 2/2004 Chen D12/129
2004/0094935 A1 5/2004 Fair

* cited by examiner

(21) Appl. No.: **29/218,768**
(22) Filed: **Dec. 6, 2004**

Primary Examiner—Marcus A. Jackson
(74) *Attorney, Agent, or Firm*—Taft, Stettinius & Hollister,
LLP

(51) **LOC (8) Cl.** **12-12**
(52) **U.S. Cl.** **D12/129**
(58) **Field of Classification Search** D12/128–133;
280/30, 42, 47.371, 642, 643, 647, 648, 650
See application file for complete search history.

(57) **CLAIM**

We claim the ornamental design for an infant tandem stroller, as shown and described herein.

DESCRIPTION

FIG. 1 is a perspective view of an infant tandem stroller, showing our new design;
FIG. 2 is a front elevational view thereof;
FIG. 3 is a rear elevational view thereof;
FIG. 4 is a left side elevational view thereof;
FIG. 5 is a right side elevational view thereof; and,
FIG. 6 is a top plan view thereof.

(56) **References Cited**
U.S. PATENT DOCUMENTS
5,662,380 A 9/1997 Tam et al.
5,669,624 A 9/1997 Eichhorn
5,725,238 A 3/1998 Huang
5,857,601 A 1/1999 Greenwood
5,865,460 A 2/1999 Huang
5,876,057 A 3/1999 Huang
6,135,487 A 10/2000 Flannery et al.

1 Claim, 6 Drawing Sheets



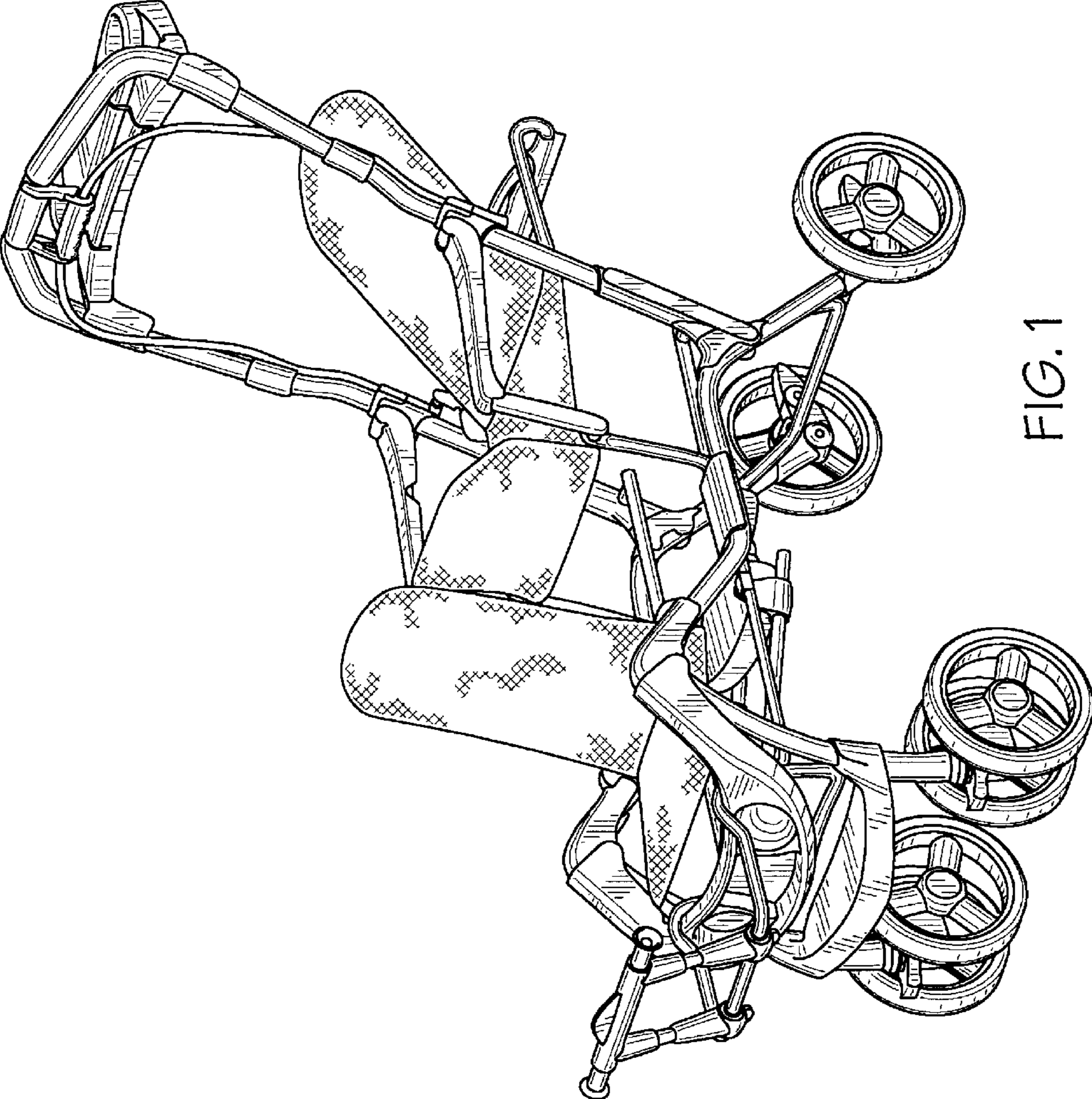


FIG. 1

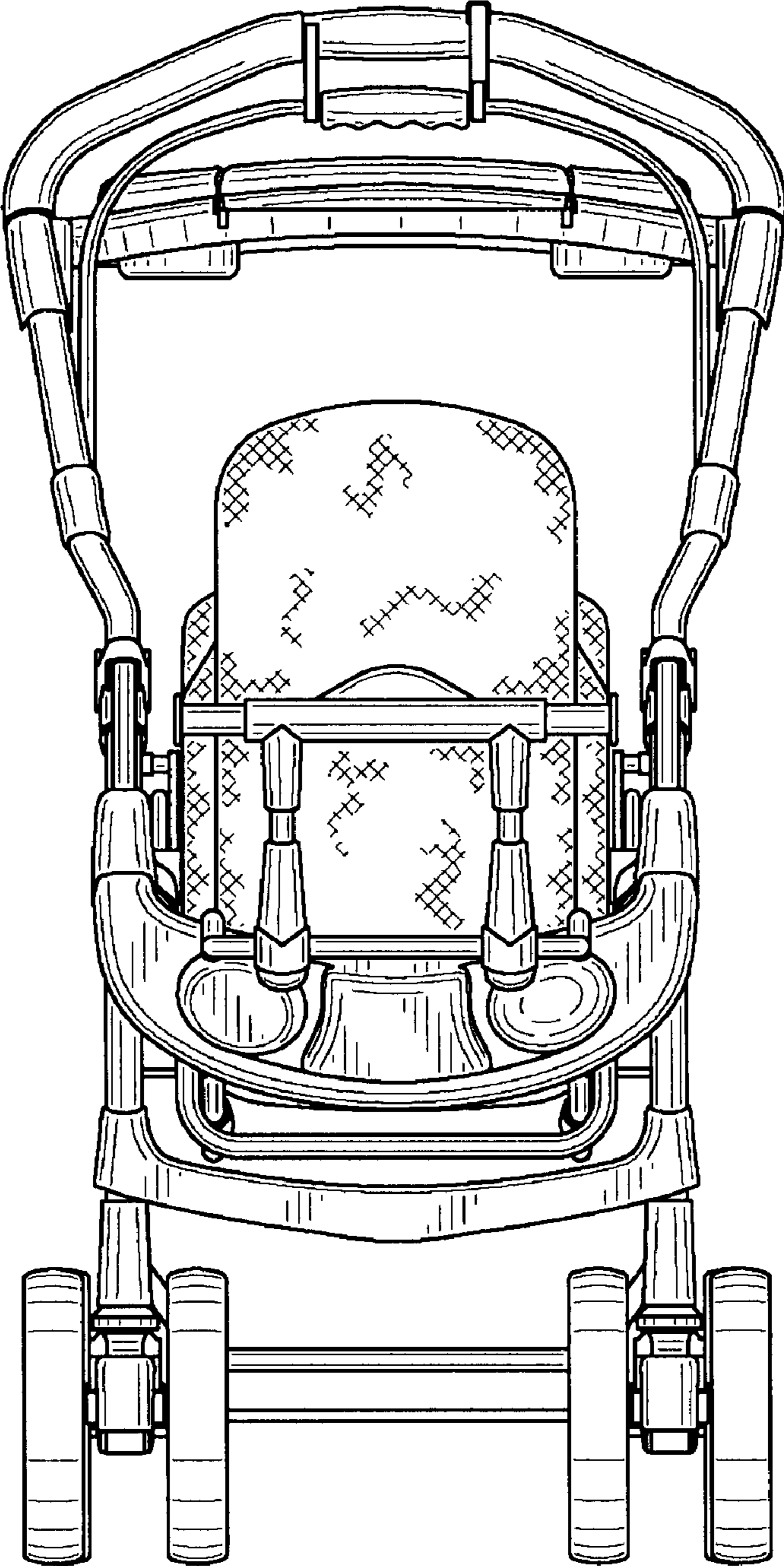


FIG. 2

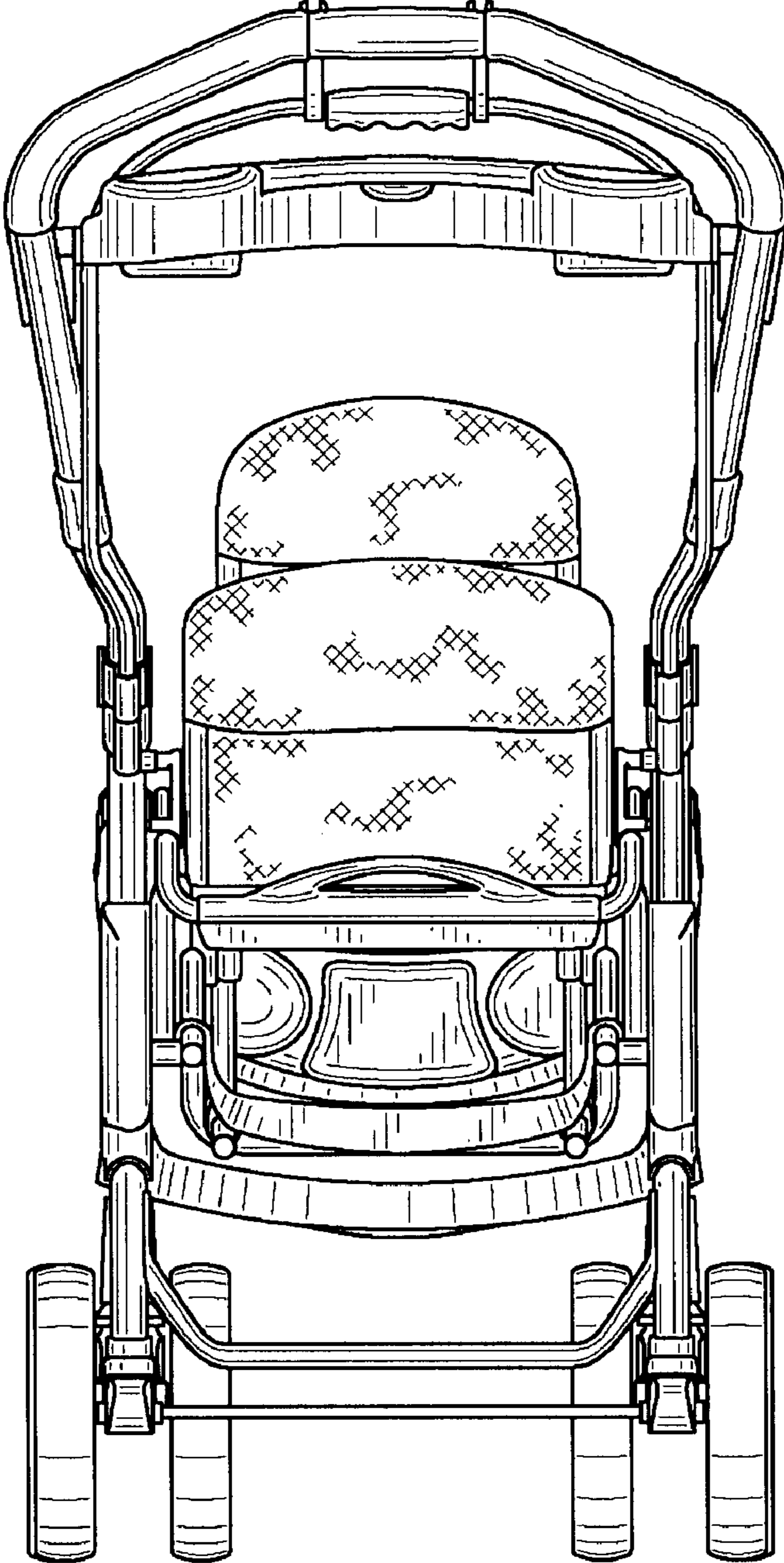


FIG. 3

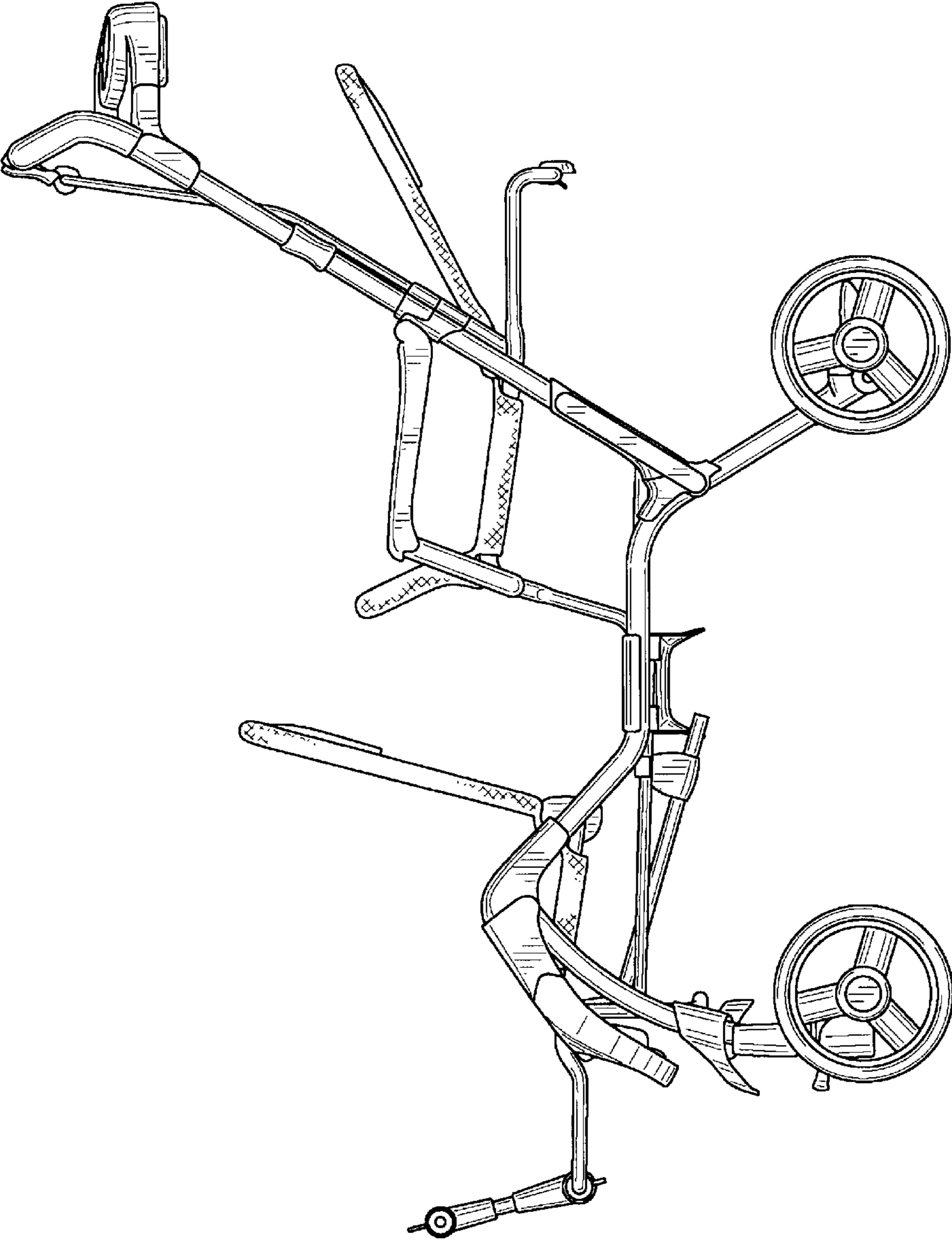


FIG. 4

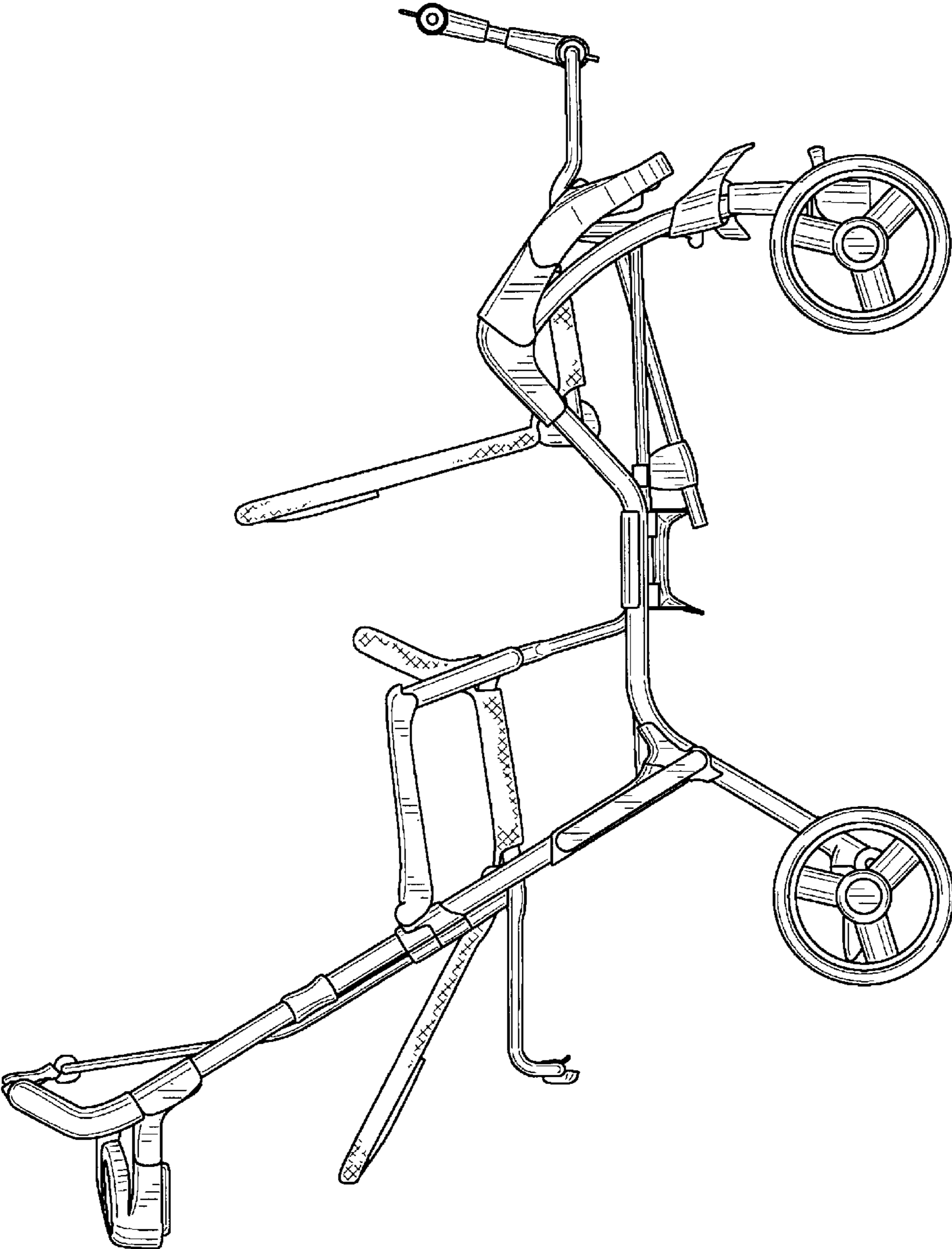


FIG. 5

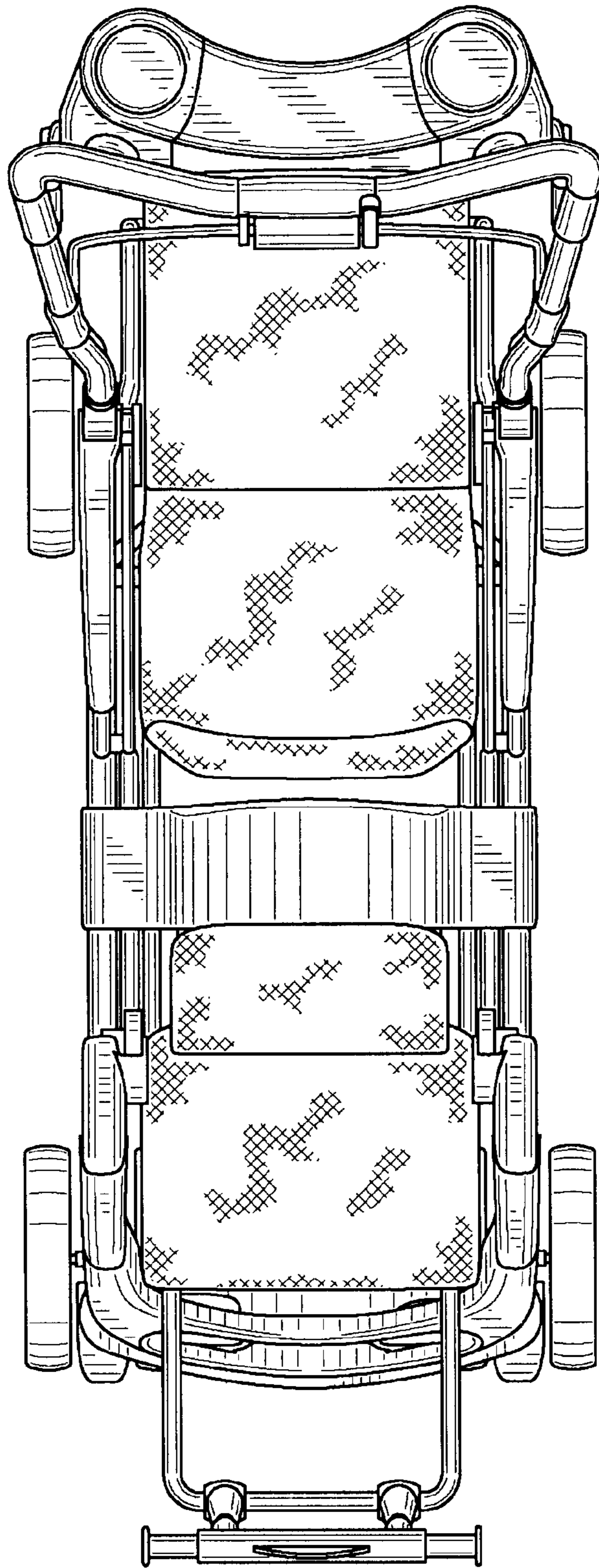


FIG. 6