



US00D514035S

(12) **United States Design Patent** (10) **Patent No.:** **US D514,035 S**  
**Francis** (45) **Date of Patent:** **\*\* Jan. 31, 2006**

(54) **ROCKER BOX**

4,916,704 A 4/1990 Bruckert et al.  
4,920,930 A 5/1990 Sakano et al.

(75) Inventor: **Kenneth A. Francis**, St. Louis, MO  
(US)

(Continued)

(73) Assignee: **Midwest Motorcycle Supply**, Arnold,  
MO (US)

**FOREIGN PATENT DOCUMENTS**

(\*\*) Term: **14 Years**

DE	4326332	A1	2/1995
EP	0580350	A1	1/1994
EP	0691619	A2	1/1996
EP	0693836	A1	1/1996
EP	0695997	A2	2/1996
EP	0738058	A2	10/1996
EP	0752786	A1	1/1997
EP	0766184	A2	4/1997
EP	0782296	A2	7/1997
EP	0792044	A2	8/1997
GB	2167810	A	6/1986

(21) Appl. No.: **29/193,718**

(22) Filed: **Nov. 12, 2003**

(51) **LOC (8) Cl.** ..... **12-11**

(52) **U.S. Cl.** ..... **D12/126**

(58) **Field of Classification Search** ..... D15/1-3,  
D15/5; D12/126; 123/90.38, 90.4, 90.41,  
123/189; 74/519, 522, 559  
See application file for complete search history.

**OTHER PUBLICATIONS**

“American Iron Magazine”, Apr. 2004 issue, article entitled  
*Curing Oil Blow-By, Part II: Oil pump fixes and TP’s  
Pro-Vent rocker boxes*, by Donny Petersen, pp. 36, 38, 40,  
42.

(56) **References Cited**

**U.S. PATENT DOCUMENTS**

2,982,273	A	5/1961	Bergmann	
3,270,727	A	9/1966	Nance	
3,712,278	A	1/1973	Kuhn	
3,949,724	A	4/1976	Nickly	
4,169,432	A	10/1979	White	
4,327,678	A	5/1982	Pollet	
4,438,734	A	3/1984	Hayashi	
4,459,966	A	7/1984	Sakano et al.	
4,538,561	A	9/1985	Amemori et al.	
4,538,734	A	9/1985	Gill	
D280,990	S	* 10/1985	Davidson	..... D15/5
4,549,520	A	10/1985	Tamba et al.	
4,597,372	A	7/1986	Furukawa	
4,602,595	A	7/1986	Aoki et al.	
4,602,607	A	7/1986	Balsley	
4,686,945	A	8/1987	Inagaki et al.	
4,686,946	A	8/1987	Umeda et al.	
4,711,224	A	12/1987	Eckhardt	
4,721,075	A	1/1988	Kasai	
4,721,090	A	1/1988	Kato	
4,730,579	A	3/1988	Yamada et al.	
4,881,496	A	11/1989	Kronich	
4,911,120	A	3/1990	Sumi	

*Primary Examiner*—Joel Sincavage

*Assistant Examiner*—Maurice Stevens

(74) *Attorney, Agent, or Firm*—Thompson Coburn, LLP

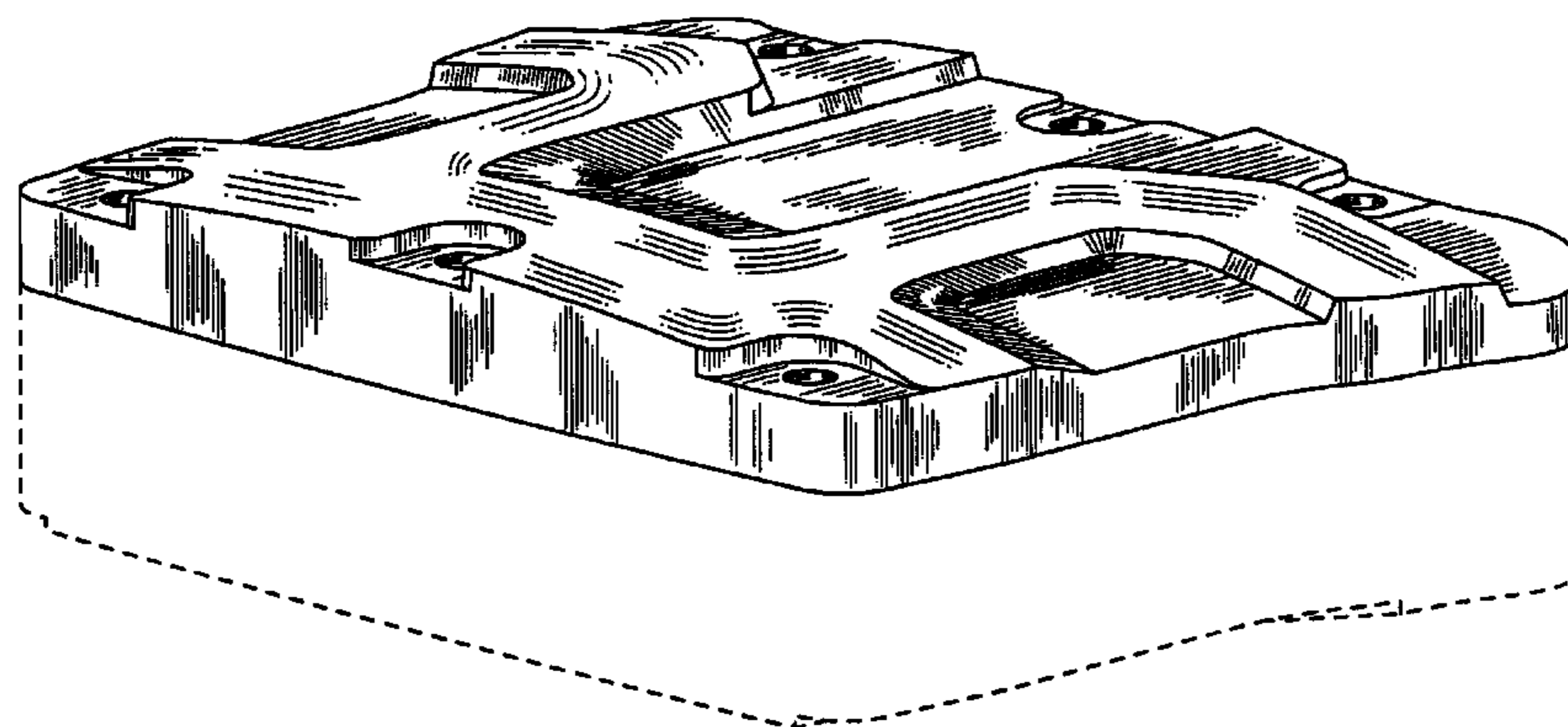
(57) **CLAIM**

The ornamental design for a rocker box, as shown and  
described.

**DESCRIPTION**

FIG. 1 is a perspective view of a rocker box of the present  
invention showing my new design;  
FIG. 2 is a top plan view thereof on a smaller scale;  
FIG. 3 is a left side view thereof on a smaller scale, the right  
side view being a mirror image thereof;  
FIG. 4 is a front elevational view thereof on a smaller scale;  
and,  
FIG. 5 is a rear elevational view thereof on a smaller scale.  
Broken lines used in FIG. 1 show the environment in which  
the present invention may be used, but do not form a part of  
the claimed design. The bottom surface of the rocker box is  
not shown, as it forms no part of the claimed design.

**1 Claim, 2 Drawing Sheets**



# US D514,035 S

Page 2

---

## U.S. PATENT DOCUMENTS

4,920,943 A	5/1990	Castellari	5,647,337 A	7/1997	Johnson et al.	
4,926,814 A	5/1990	Bonde	5,706,769 A	1/1998	Shimizu	
4,969,434 A	11/1990	Nakagawa	D408,828 S *	4/1999	Golden et al. ....	D12/126
4,995,352 A	2/1991	Machino	6,047,670 A	4/2000	Stella et al.	
5,027,784 A	7/1991	Osawa et al.	6,065,457 A	5/2000	Hoffmann et al.	
5,058,542 A	10/1991	Grayson et al.	D426,792 S *	6/2000	Reed .....	D12/126
5,067,449 A	11/1991	Bonde	6,161,529 A	12/2000	Burgess	
5,205,243 A	4/1993	Buchholz	6,263,847 B1	7/2001	Hoffmann et al.	
5,233,967 A	8/1993	Peller	6,296,071 B1	10/2001	Runte et al.	
5,421,292 A	6/1995	Hoffman et al.	6,345,613 B1	2/2002	Hoffmann et al.	
5,474,035 A	12/1995	Ming et al.	D457,470 S *	5/2002	Golden et al. ....	D12/126
5,487,371 A	1/1996	Beckman et al.	D470,801 S *	2/2003	Golden et al. ....	D12/126
D368,682 S *	4/1996	Matthies .....				D12/126

\* cited by examiner

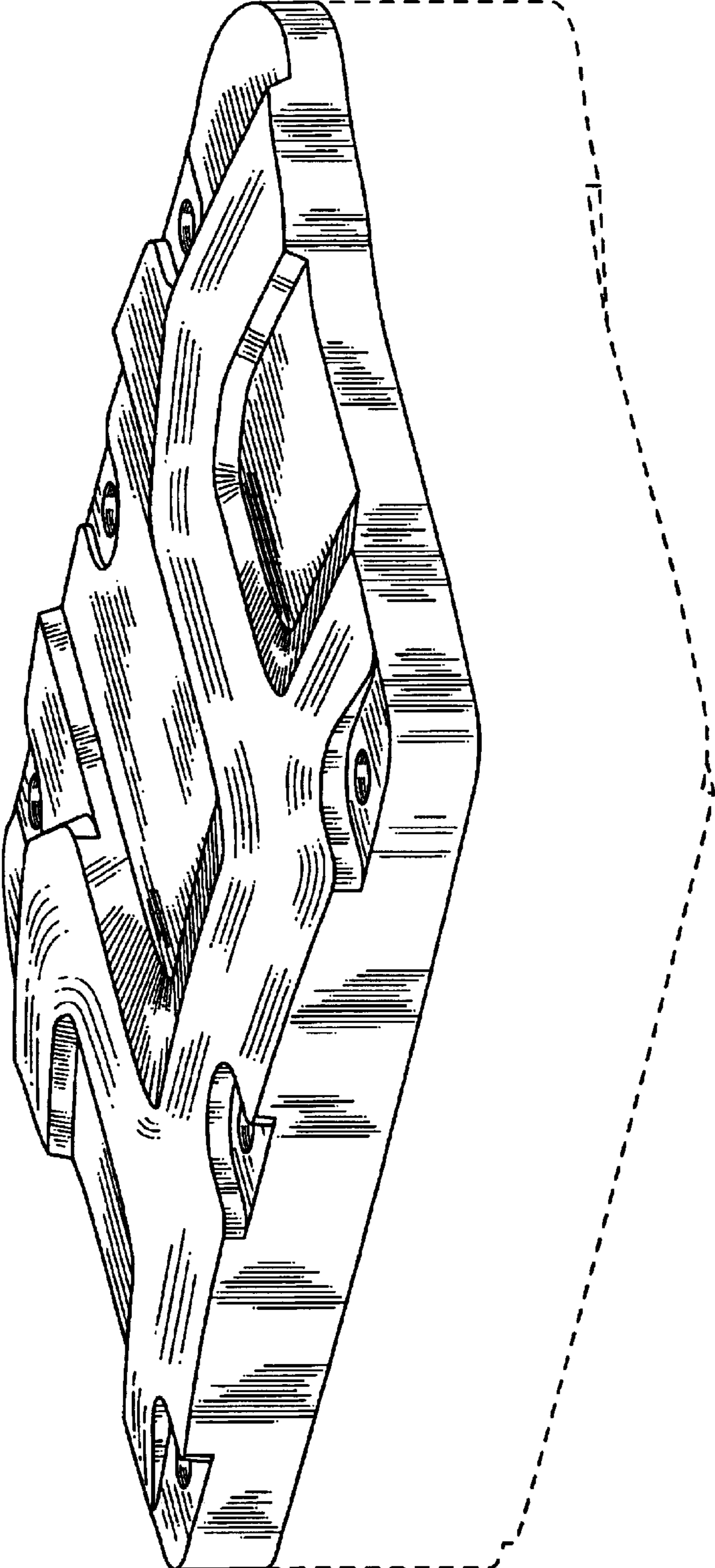


Figure 1

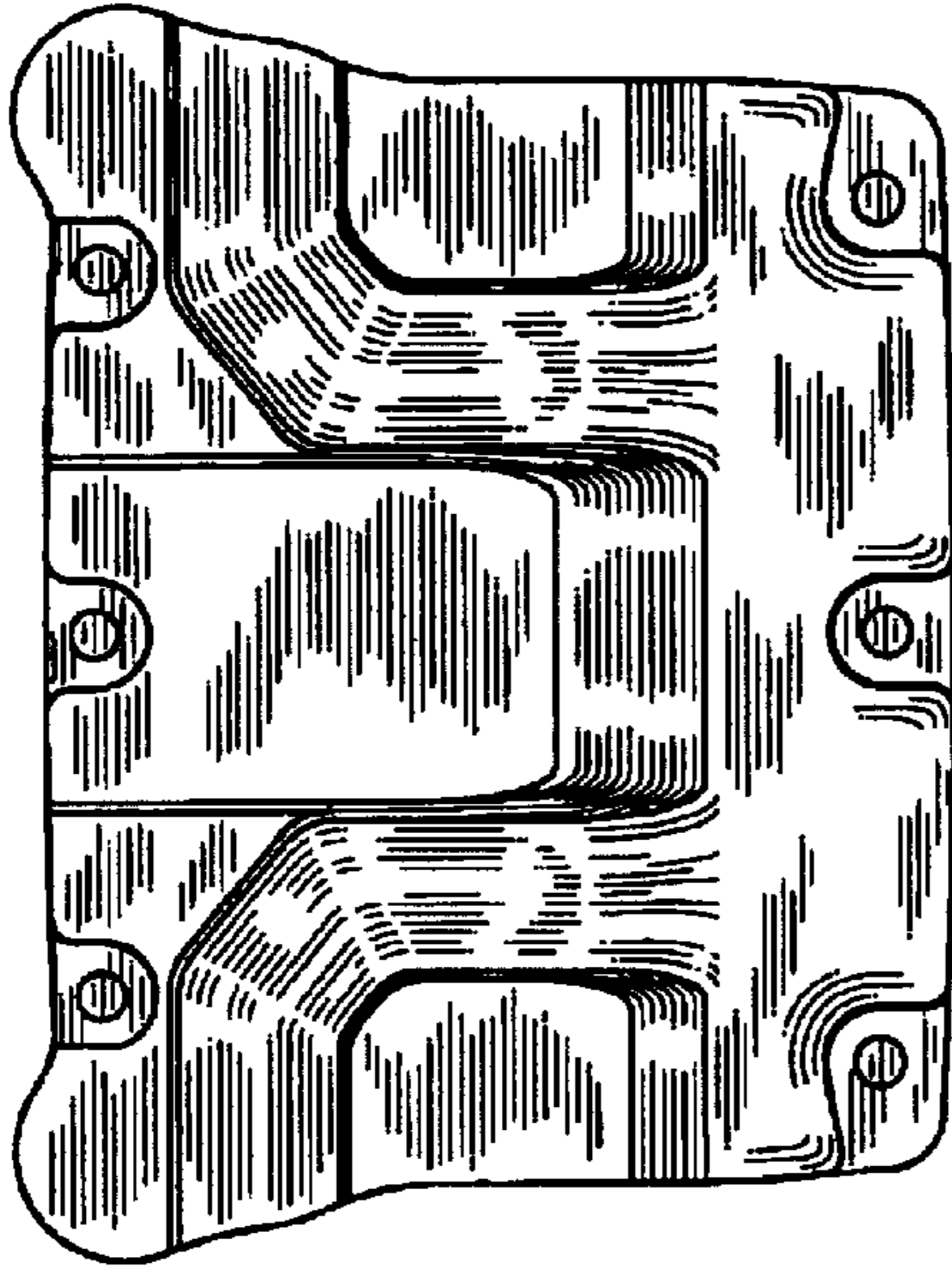


Figure 2



Figure 3

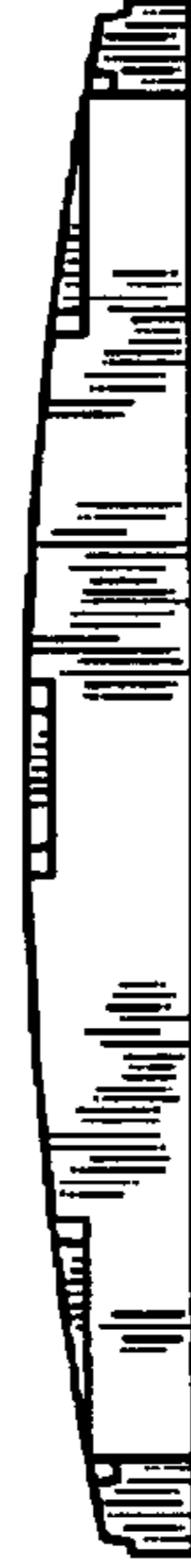


Figure 4

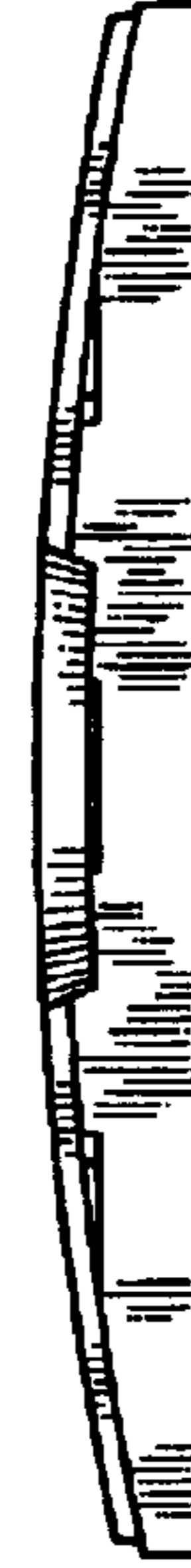


Figure 5