



US00D514029S

(12) **United States Design Patent**  
**Truong**

(10) **Patent No.:** **US D514,029 S**  
(45) **Date of Patent:** **\*\* Jan. 31, 2006**

- (54) **VAN**
- (76) **Inventor:** **Hung C. Truong**, 4271 Sanderling Cir., Suite 142, Las Vegas, NV (US) 89103
- (\*\*) **Term:** **14 Years**
- (21) **Appl. No.:** **29/158,269**
- (22) **Filed:** **Apr. 3, 2002**
- (51) **LOC (8) Cl.** ..... **12-08**
- (52) **U.S. Cl.** ..... **D12/99**
- (58) **Field of Classification Search** ..... D12/99,  
D12/100; 296/156, 164, 178  
See application file for complete search history.

D419,921 S \* 2/2000 Mishler ..... D12/99  
D435,489 S \* 12/2000 Koenders ..... D12/99

\* cited by examiner

*Primary Examiner*—Melody N. Brown  
(74) *Attorney, Agent, or Firm*—Lorusso Loud & Kelly LLP; Marc A. Vivenzio

(57) **CLAIM**

The ornamental design for a van, as shown.

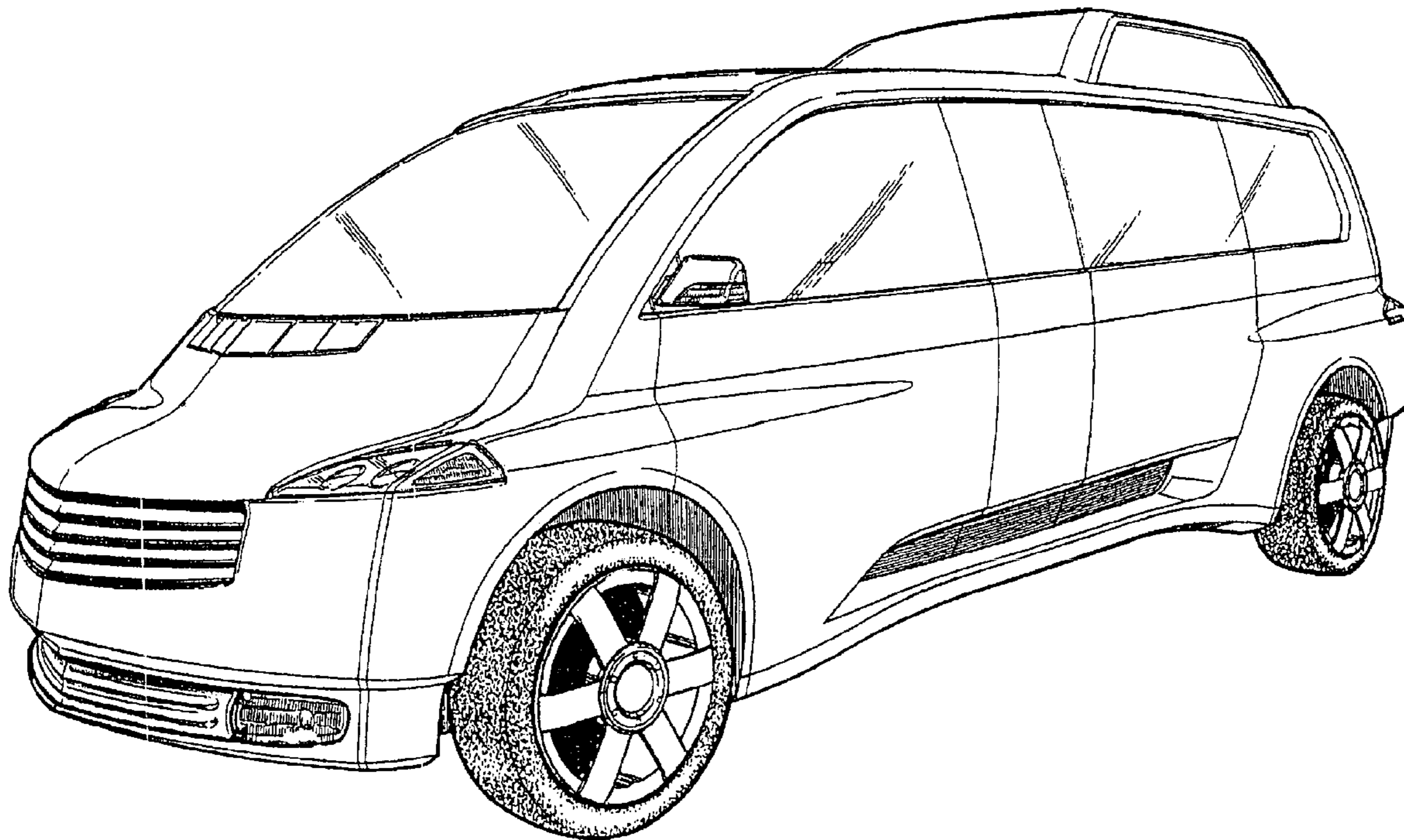
**DESCRIPTION**

FIG. 1 is a side elevational view of a van showing my new design;  
FIG. 2 is a top plan view thereof;  
FIG. 3 is a front and side perspective view thereof;  
FIG. 4 is a rear and side perspective view thereof;  
FIG. 5 is a front elevational view thereof; and,  
FIG. 6 is a rear elevational view thereof.

(56) **References Cited**  
**U.S. PATENT DOCUMENTS**

- D249,495 S \* 9/1978 Wallace et al. .... D12/99
- D256,573 S \* 8/1980 Breinholt ..... D12/100
- D262,531 S \* 1/1982 Hanson ..... D12/99
- D319,608 S \* 9/1991 Dodgen ..... D12/100

**1 Claim, 6 Drawing Sheets**



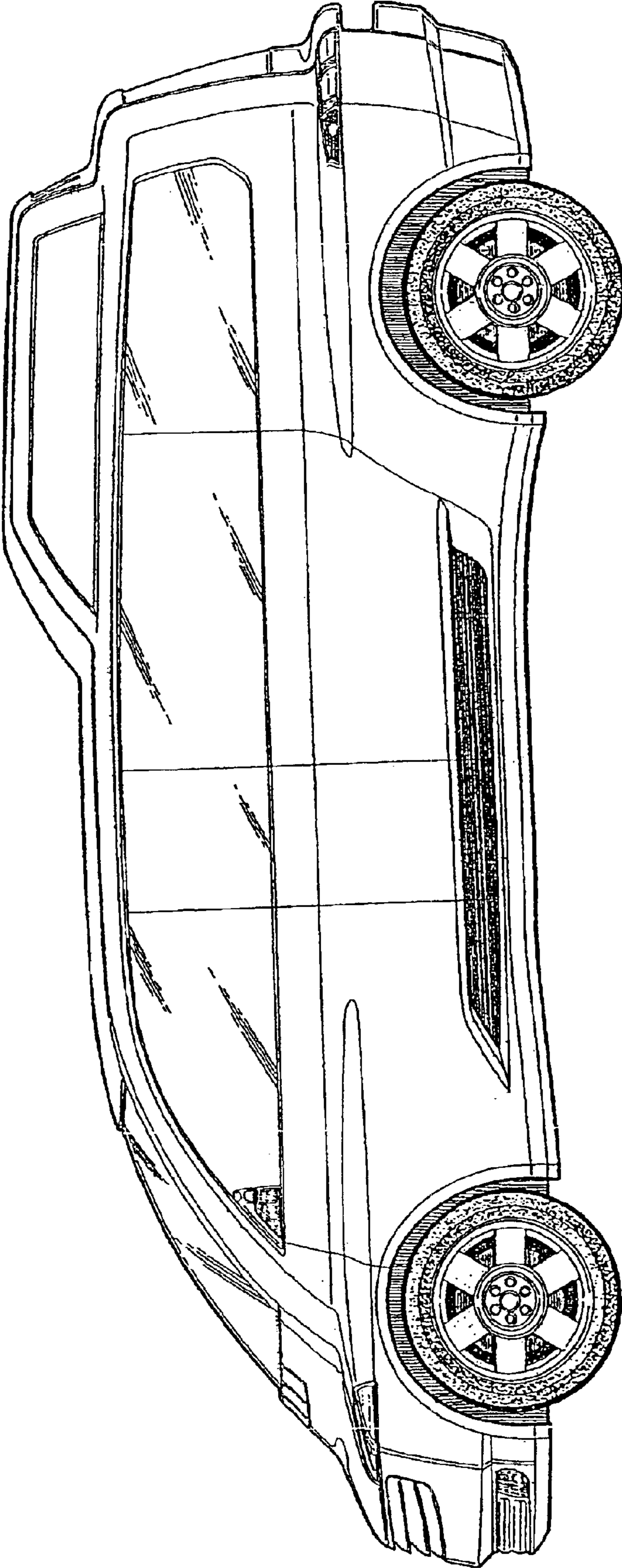


FIG. 1

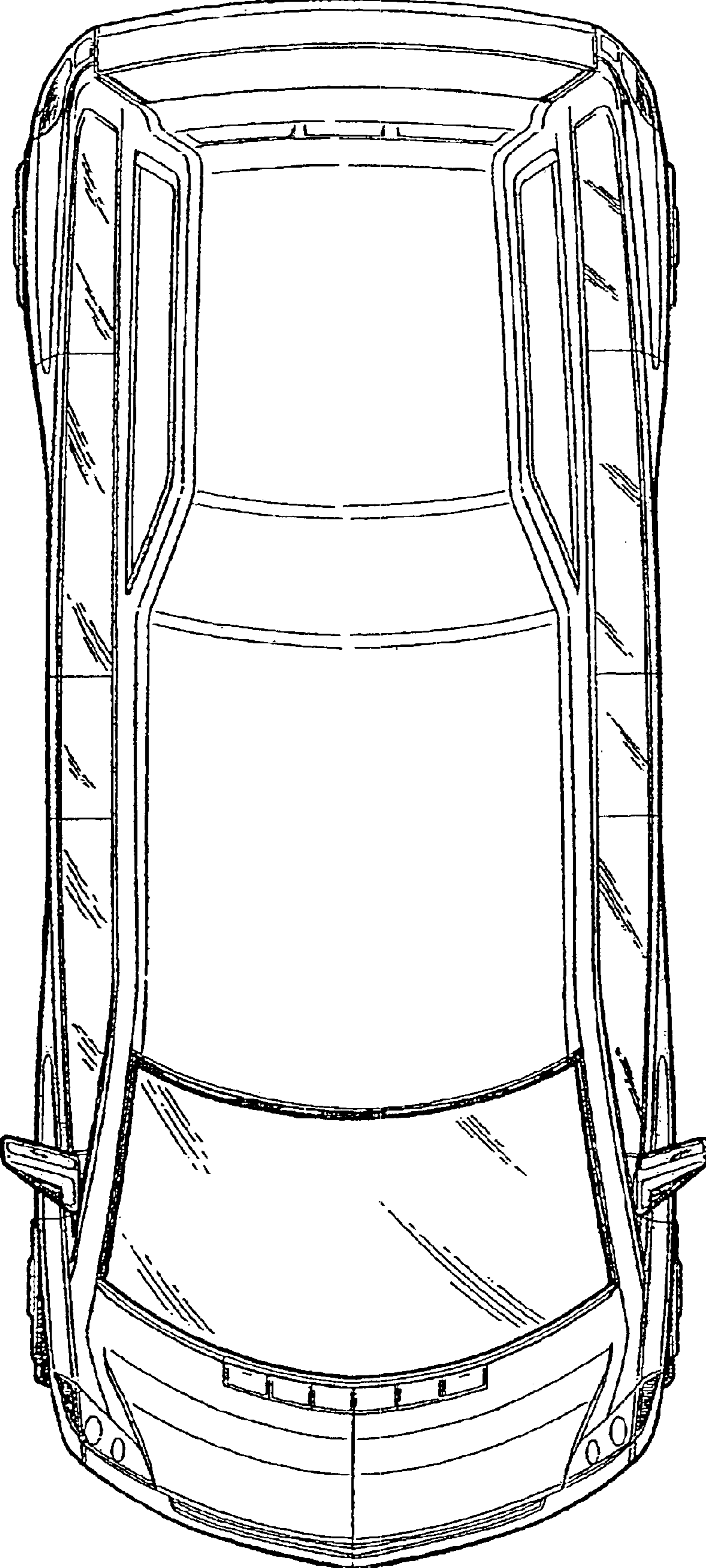


FIG. 2



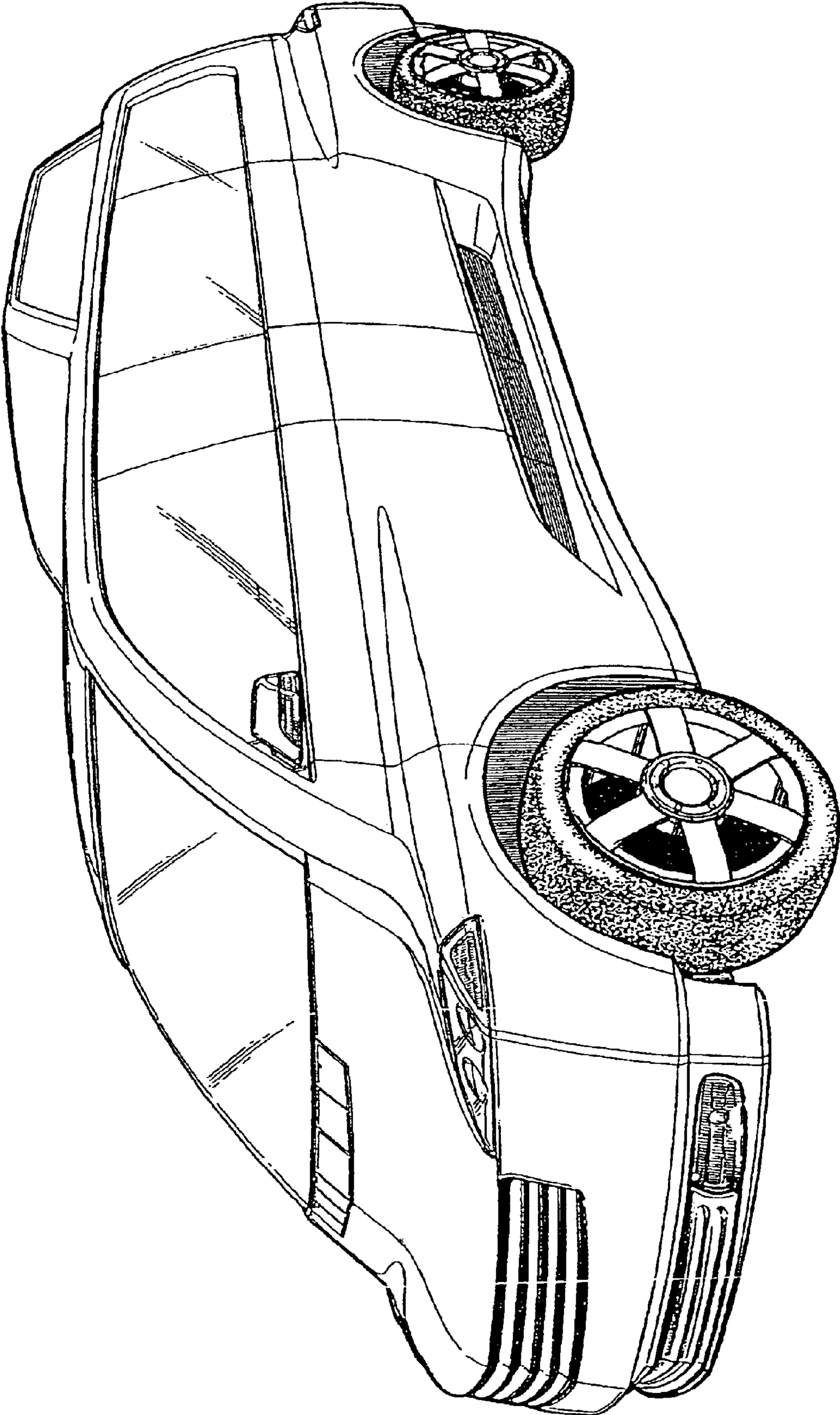


FIG. 3

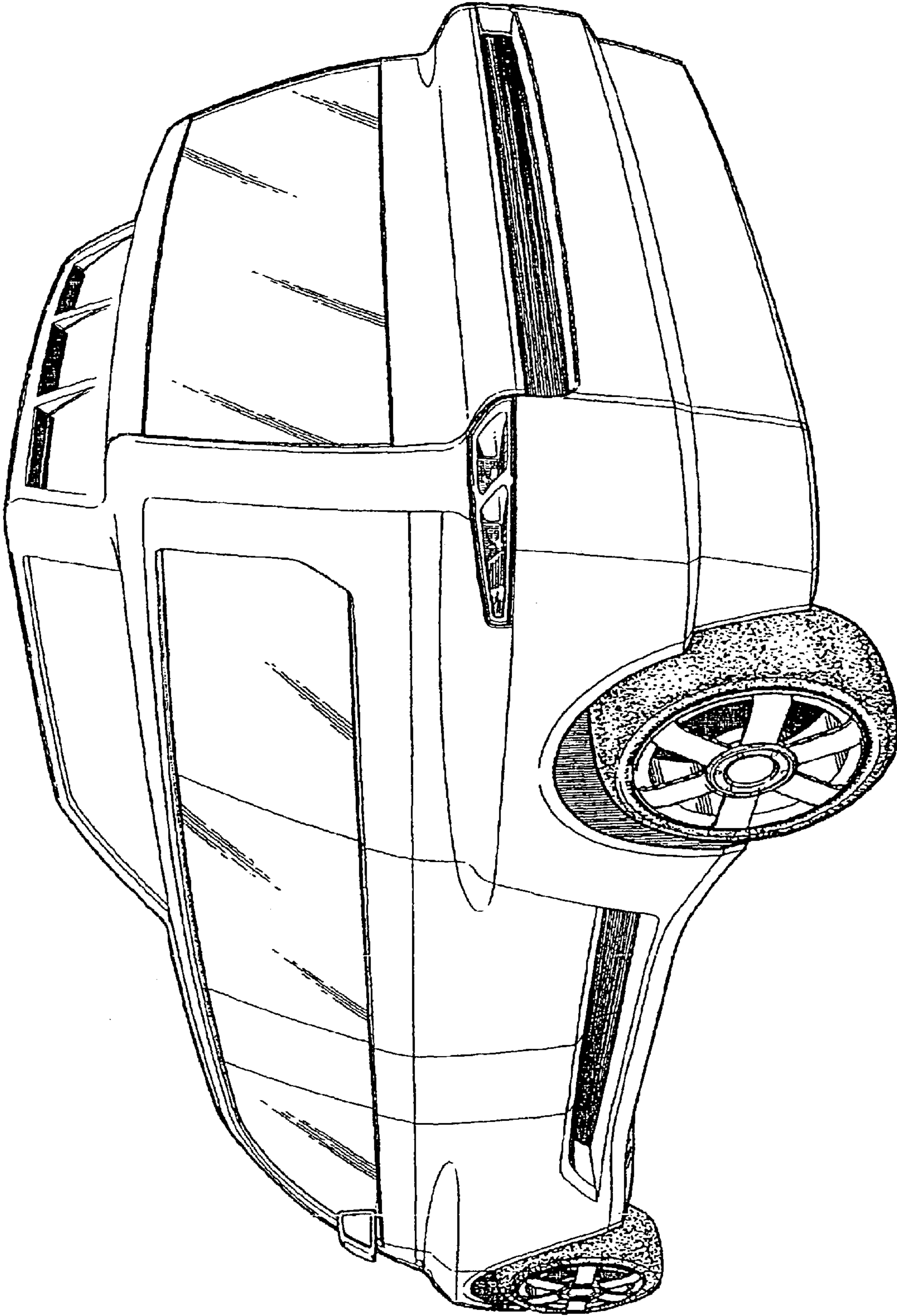


FIG. 4

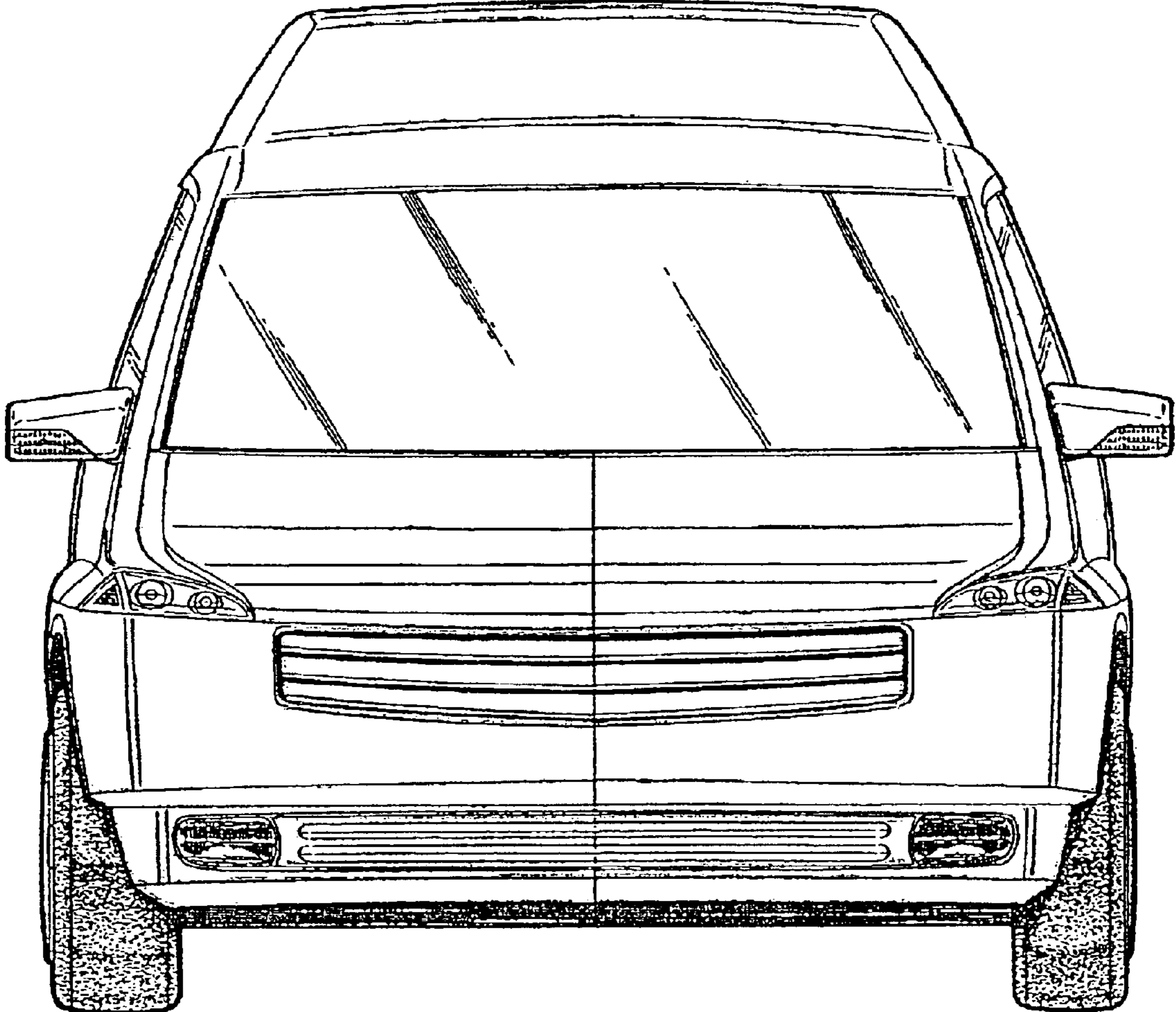


FIG. 5



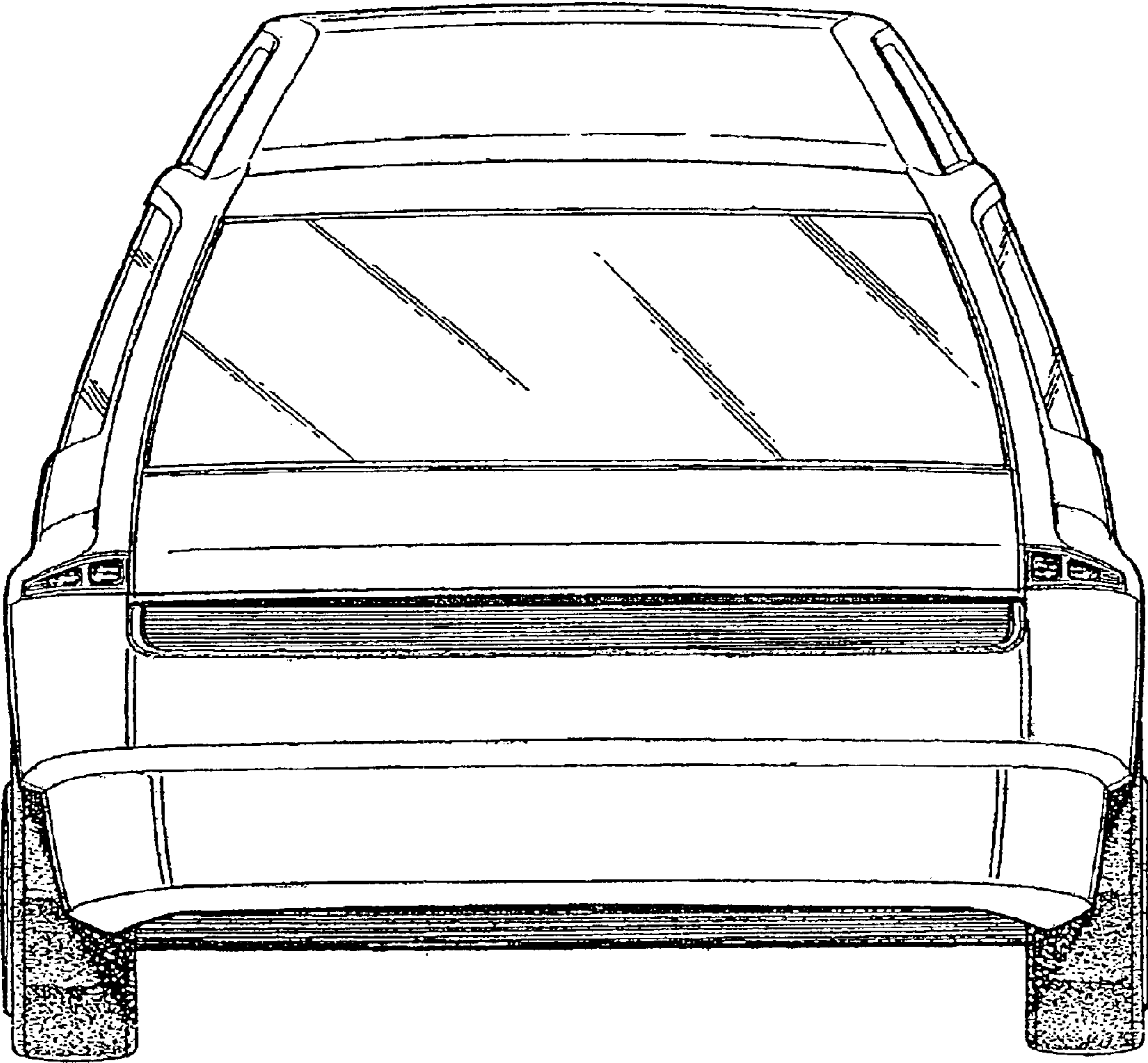


FIG. 6