



US00D514023S

(12) **United States Design Patent**
Tournay

(10) **Patent No.:** **US D514,023 S**

(45) **Date of Patent:** **** Jan. 31, 2006**

(54) **ROLLING STOCK BOGIE**

(75) **Inventor:** **Harry Marshall Tournay**, Pueblo West, CO (US)

(73) **Assignee:** **Transnet Limited**, Johannesburg Gauteng (ZA)

(**) **Term:** **14 Years**

(21) **Appl. No.:** **29/179,076**

(22) **Filed:** **Apr. 3, 2003**

(30) **Foreign Application Priority Data**

Oct. 3, 2002 (ZA) F2002/1193

(51) **LOC (8) Cl.** **12-03**

(52) **U.S. Cl.** **D12/45; D12/46; 105/186**

(58) **Field of Classification Search** D12/45-46;
105/226, 206.1, 206.2, 186, 182.1
See application file for complete search history.

(56) **References Cited**

U.S. PATENT DOCUMENTS

4,353,309 A * 10/1982 Pollard et al. 105/136

4,413,569 A * 11/1983 Mulcahy 105/168
D284,560 S * 7/1986 O'Lear D12/46
4,903,613 A * 2/1990 Lang et al. 105/167
4,913,060 A * 4/1990 Sekine et al. 105/96
5,303,657 A * 4/1994 Oda et al. 105/206.1
5,551,351 A * 9/1996 Hardin 105/226
5,653,177 A * 8/1997 Rimbaud et al. 105/182.1
6,196,134 B1 * 3/2001 Stecker 105/226
6,371,033 B1 * 4/2002 Smith et al. 105/157.1

* cited by examiner

Primary Examiner—Antoine Duval Davis

Assistant Examiner—Sydney Buffalow

(74) *Attorney, Agent, or Firm*—Darby & Darby

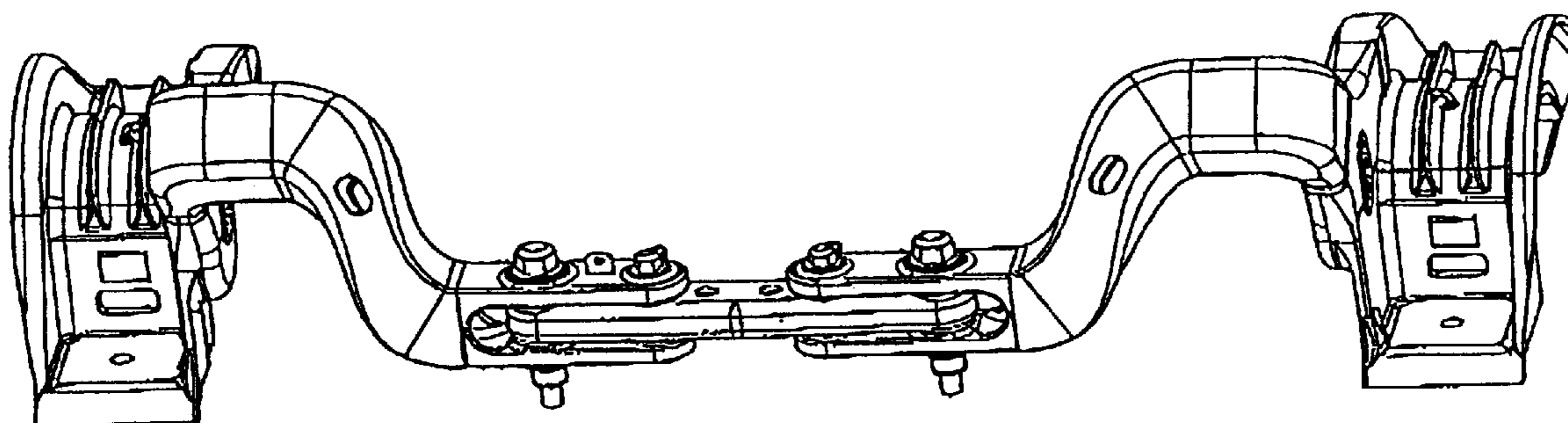
(57) **CLAIM**

The ornamental design for a rolling stock bogie, as shown and described.

DESCRIPTION

FIG. 1 is a front perspective view of a rolling stock bogie showing my new design;
FIG. 2 is rear elevation view thereof; and,
FIG. 3 is a side elevation view thereof.

1 Claim, 2 Drawing Sheets



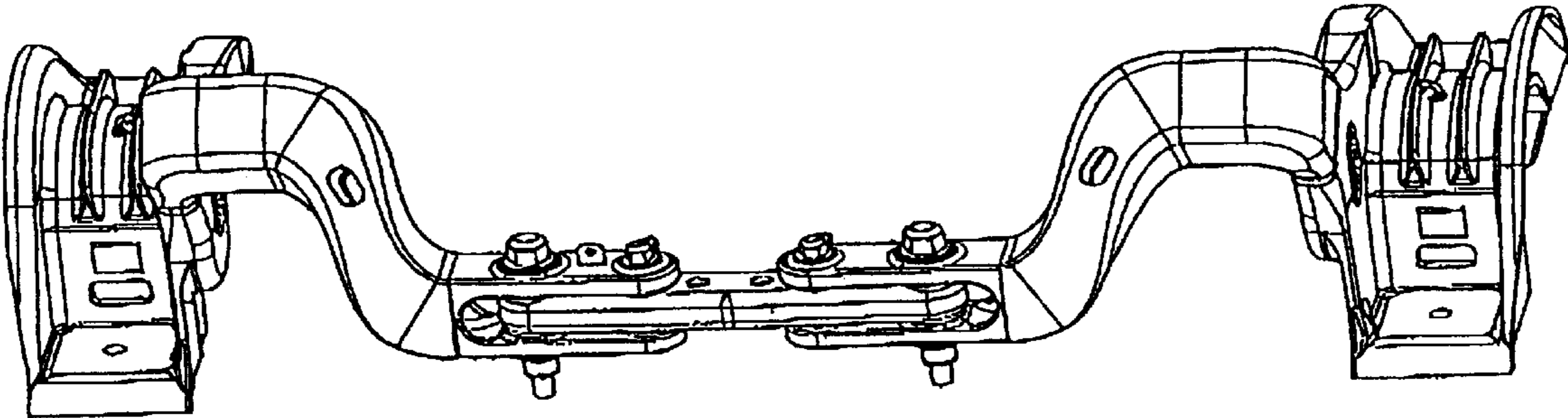


FIG. 1

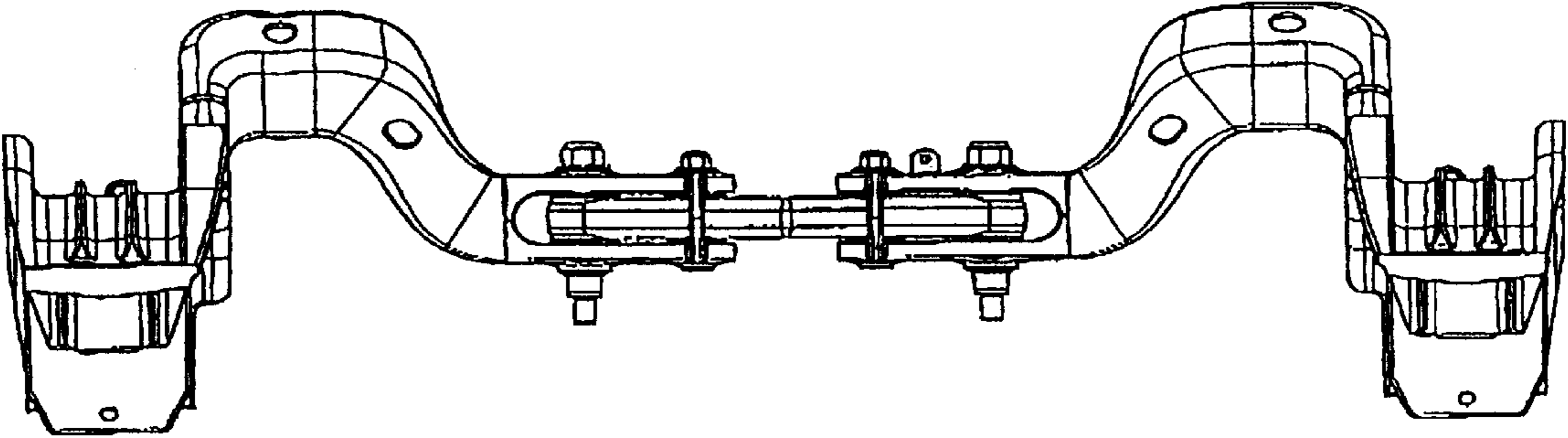


FIG. 2

FIG. 3

