



US00D514022S

(12) **United States Design Patent** (10) **Patent No.:** **US D514,022 S**
Wehmeyer et al. (45) **Date of Patent:** **** Jan. 31, 2006**

(54) **ZIPPER PULL**

(75) Inventors: **Stephen D. Wehmeyer**, Cincinnati, OH (US); **Edward P. Busam**, Mason, OH (US); **Dana M. Walker**, Dayton, OH (US)

(73) Assignee: **Meadwestvaco Corporation**, Stamford, CT (US)

(**) Term: **14 Years**

(21) Appl. No.: **29/199,382**

(22) Filed: **Feb. 13, 2004**

(51) **LOC (8) Cl.** **02-07**

(52) **U.S. Cl.** **D11/221**

(58) **Field of Classification Search** D11/200, D11/201, 221; 24/415-417, 419, 421, 427-431, 24/381, 382, 385, 387, 433; 384/64

See application file for complete search history.

(56) **References Cited**

U.S. PATENT DOCUMENTS

D262,665 S	*	1/1982	Brinley	D11/221
D303,361 S	*	9/1989	Mimami	D11/221
D372,440 S		8/1996	Gelb	
D392,595 S		3/1998	Moor	
5,836,058 A		11/1998	Cullum	
D404,343 S		1/1999	Moor	
D406,251 S		3/1999	Nakamura	
D420,938 S		2/2000	Colicher	
D435,328 S		12/2000	Harris et al.	
D438,491 S	*	3/2001	Odgard	D11/221
D449,563 S		10/2001	Starck	
D471,488 S		3/2003	Nykoluk	
D471,841 S	*	3/2003	Hamai et al.	D11/221
D479,811 S	*	9/2003	Yamazaki et al.	D11/221
D483,295 S	*	12/2003	Ritter	D11/221
D483,692 S		12/2003	Ritter	
D493,387 S	*	7/2004	Rada	D11/221
D500,966 S	*	1/2005	Mullins	D11/221

OTHER PUBLICATIONS

Attachment A (photograph of notebook), (date unknown). Applicants admit the status of this publication as prior art for the limited purpose of examination of this application, but

otherwise reserve the right to challenge the status of this publication as prior art.

Attachment B (photograph of notebook), (date unknown). Applicants admit the status of this publication as prior art for the limited purpose of examination of this application, but otherwise reserve the right to challenge the status of this publication as prior art.

Attachment C (photograph of notebook), (date unknown). Applicants admit the status of this publication as prior art for the limited purpose of examination of this application, but otherwise reserve the right to challenge the status of this publication as prior art.

Attachment D (photograph of notebook), (date unknown). Applicants admit the status of this publication as prior art for the limited purpose of examination of this application, but otherwise reserve the right to challenge the status of this publication as prior art.

* cited by examiner

Primary Examiner—Ralf Seifert

(74) *Attorney, Agent, or Firm*—Thompson Hine LLP

(57) **CLAIM**

The design for a zipper pull, as shown and described.

DESCRIPTION

FIG. 1 is a front perspective view of one embodiment of the zipper pull of the present invention, shown in conjunction with a binder;

FIG. 2 is a front perspective view of the zipper pull of FIG. 1;

FIG. 3 is a top view of the zipper pull of FIG. 2;

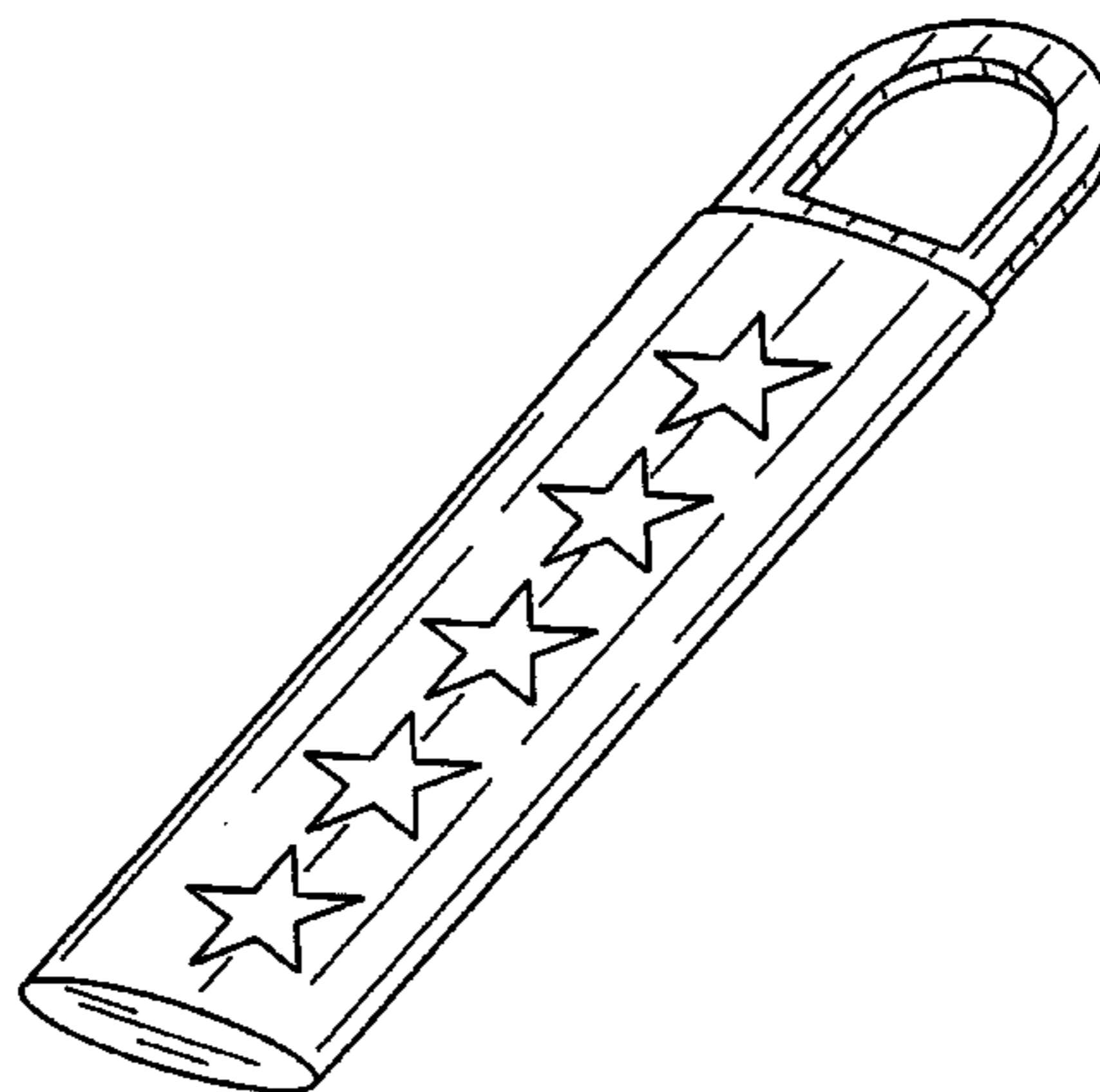
FIG. 4 is a front view of the zipper pull of FIG. 2, the rear view being identical thereto;

FIG. 5 is a right end view of the zipper pull of FIG. 2, the left end view being identical thereto; and,

FIG. 6 is a bottom view of the zipper pull of FIG. 2.

It being understood that the broken lines are for illustrative purposes only and form no part of the claimed design.

1 Claim, 3 Drawing Sheets



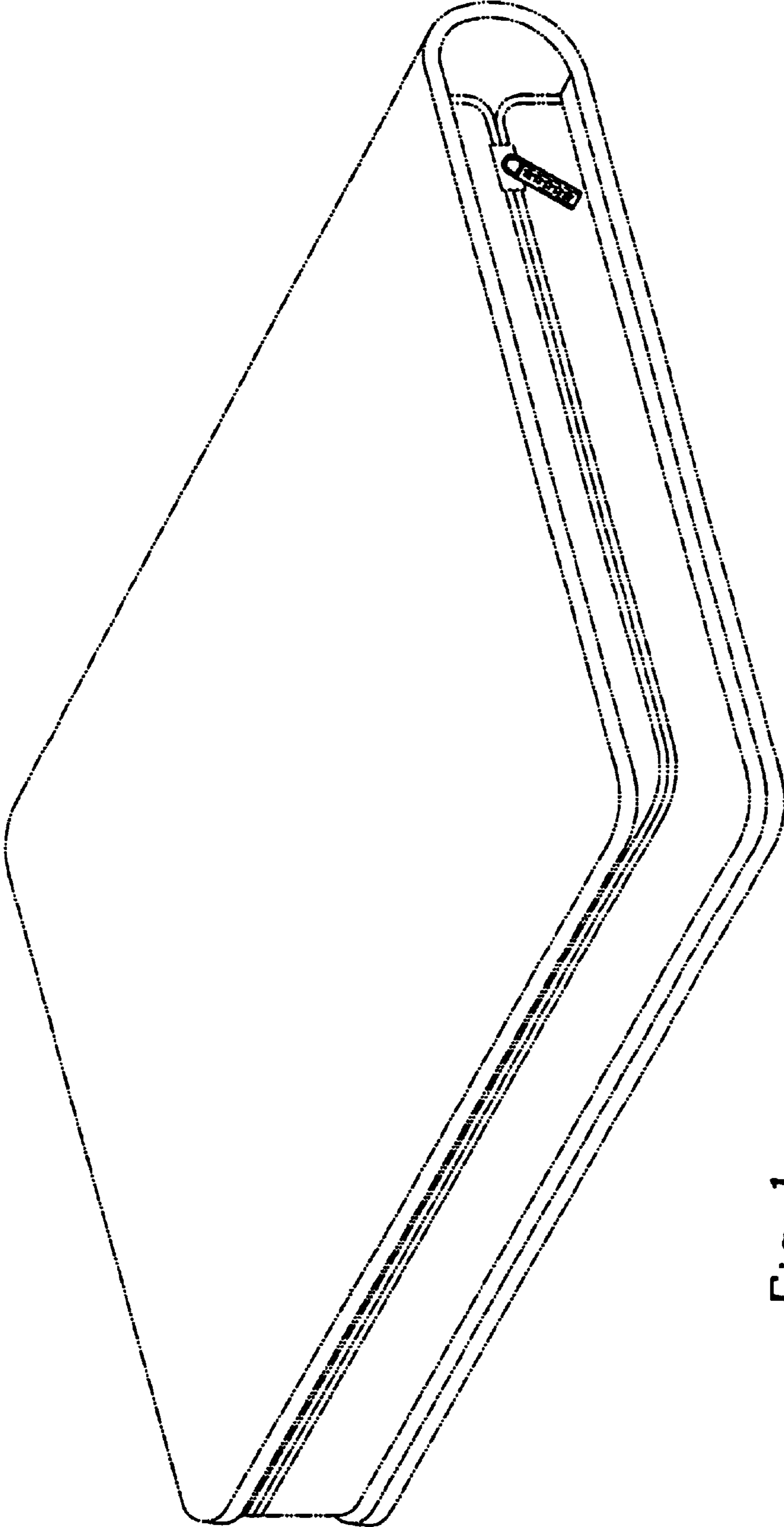


Fig. 1

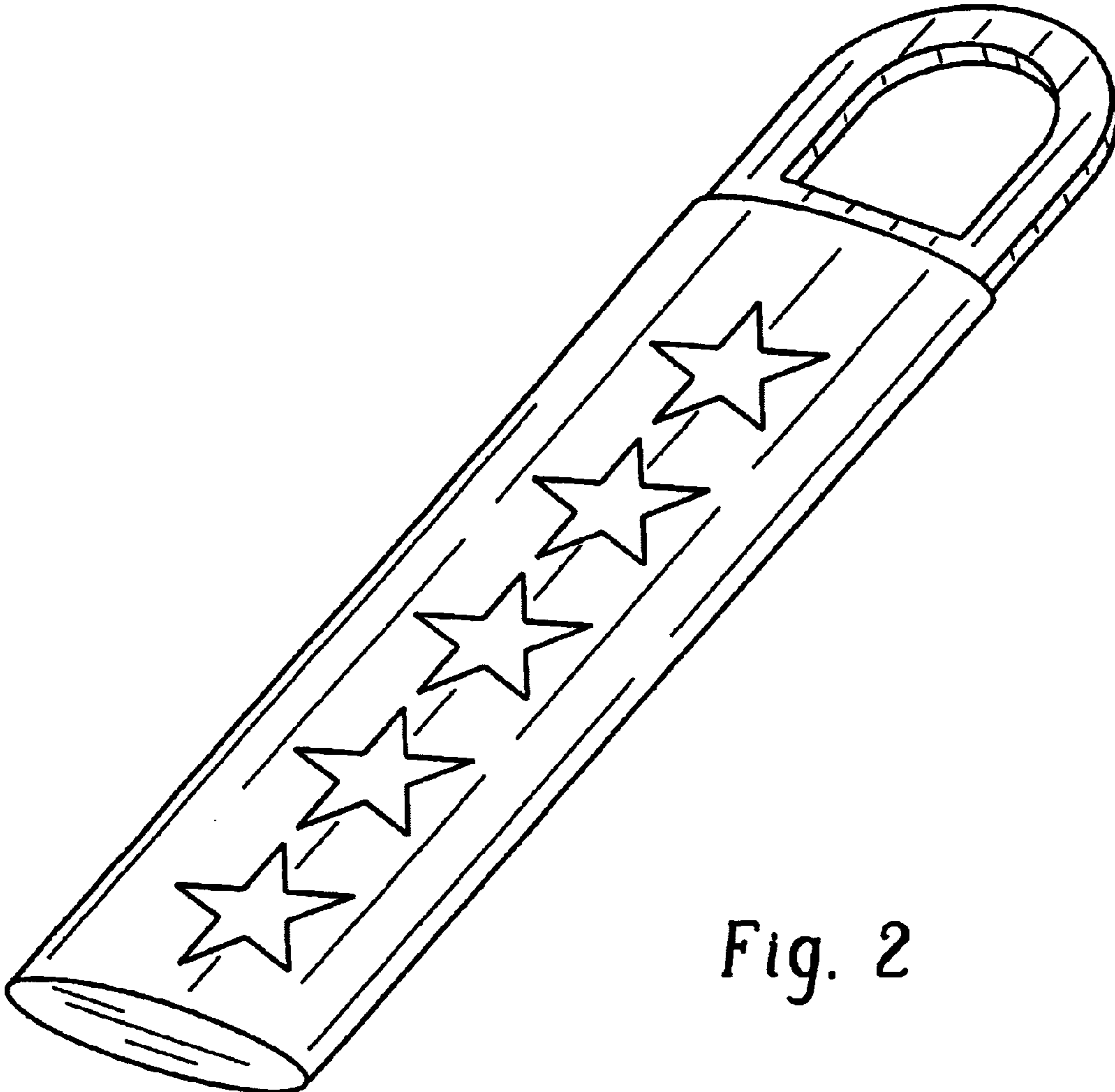


Fig. 2



Fig. 3

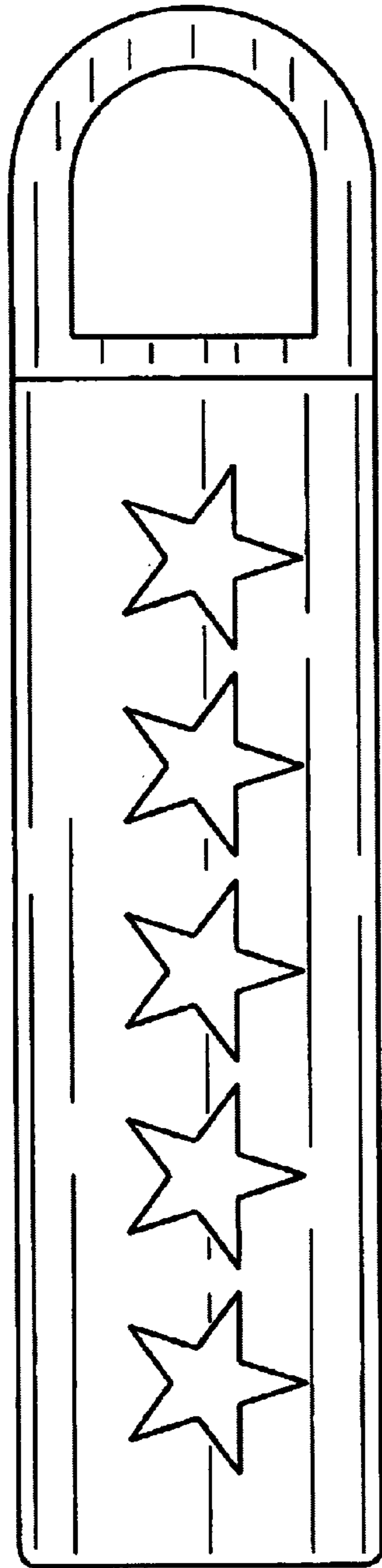


Fig. 4



Fig. 5

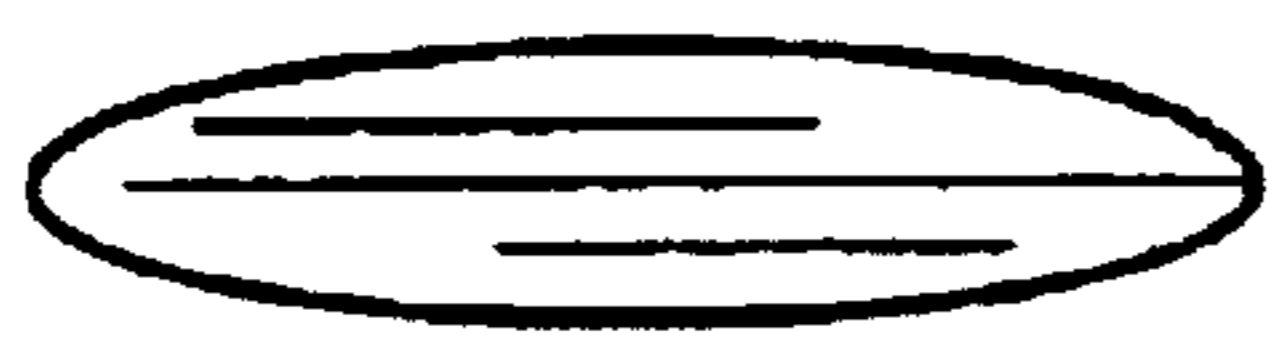


Fig. 6