



US00D514021S

(12) **United States Design Patent**  
**Chang**

(10) **Patent No.:** **US D514,021 S**  
(45) **Date of Patent:** **\*\* Jan. 31, 2006**

(54) **STRAP CONNECTING DEVICE**

(76) **Inventor:** **Vincent Chang**, No. 15-10, Lane 142,  
Sec. 5, Changnan Road, Changhua 500  
(TW)

(\*\*) **Term:** **14 Years**

(21) **Appl. No.:** **29/215,833**

(22) **Filed:** **Oct. 26, 2004**

(51) **LOC (8) Cl.** ..... **02-07**

(52) **U.S. Cl.** ..... **D11/216**

(58) **Field of Classification Search** ..... D11/200,  
D11/201, 208-210, 212-218, 220, 230-234,  
D11/237, 86-87, 94; 63/15.2, 15; 24/307,  
24/625, 616, 200, 196, 171, 169, 112, 68 R,  
24/69 R, 600.9

See application file for complete search history.

(56) **References Cited**

**U.S. PATENT DOCUMENTS**

4,510,651 A \* 4/1985 Prete et al. .... 24/68 R

D354,457 S \* 1/1995 McIntyre ..... D11/216  
D364,364 S \* 11/1995 Takimoto ..... D11/216  
D413,080 S \* 8/1999 Girardin ..... D11/215  
6,499,197 B1 \* 12/2002 Huang ..... 24/68 CD

\* cited by examiner

*Primary Examiner*—Ralf Seifert

(74) *Attorney, Agent, or Firm*—Charles E. Baxley

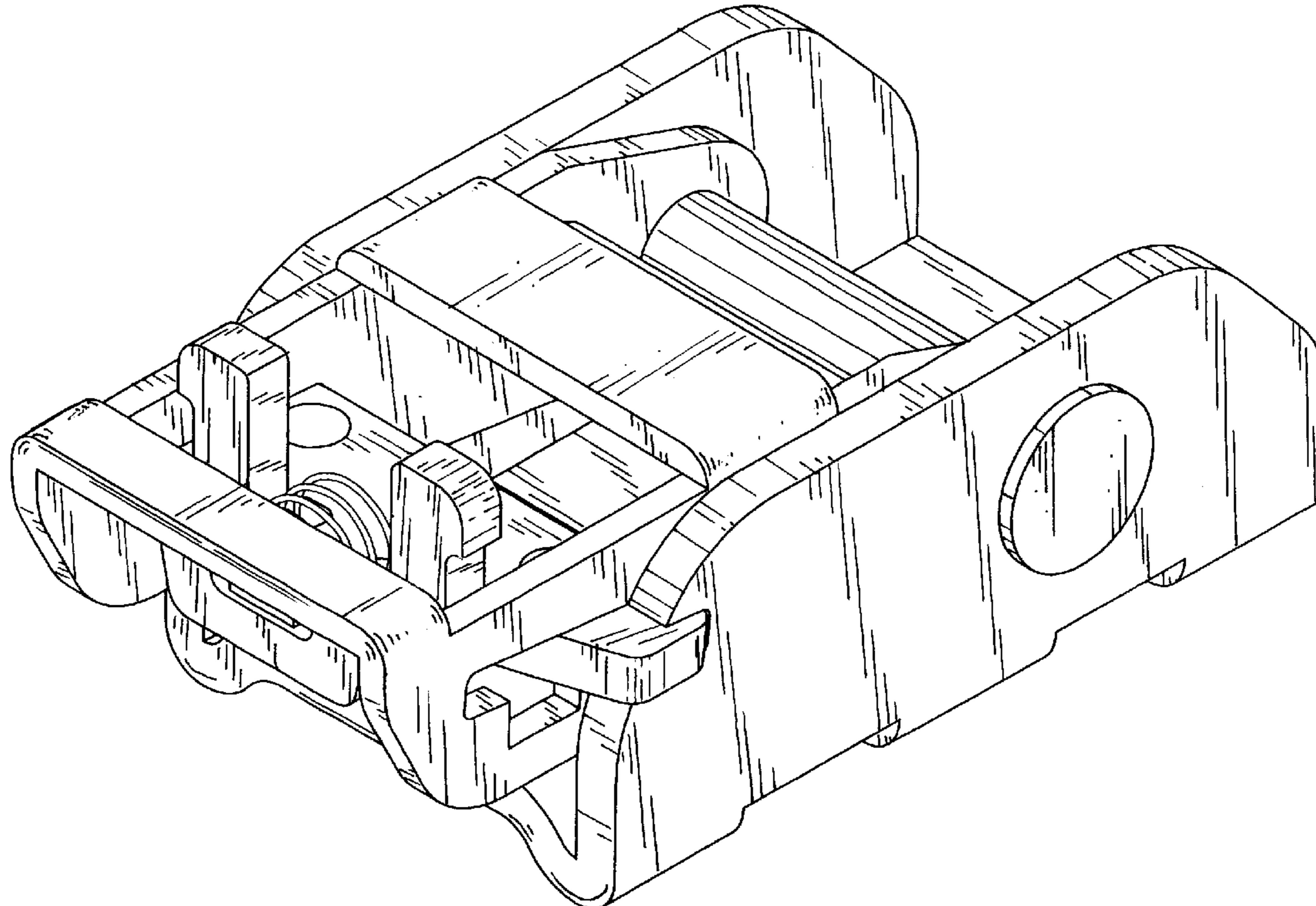
(57) **CLAIM**

The ornamental design for a strap connecting device, as shown and described.

**DESCRIPTION**

FIG. 1 is a perspective view of a strap connecting device showing my new design;  
FIG. 2 is a front elevational view thereof;  
FIG. 3 is a rear elevational view thereof;  
FIG. 4 is a top plan view thereof;  
FIG. 5 is a bottom plan view thereof;  
FIG. 6 is a left side elevational view thereof; and,  
FIG. 7 is a right side elevational view thereof.

**1 Claim, 4 Drawing Sheets**



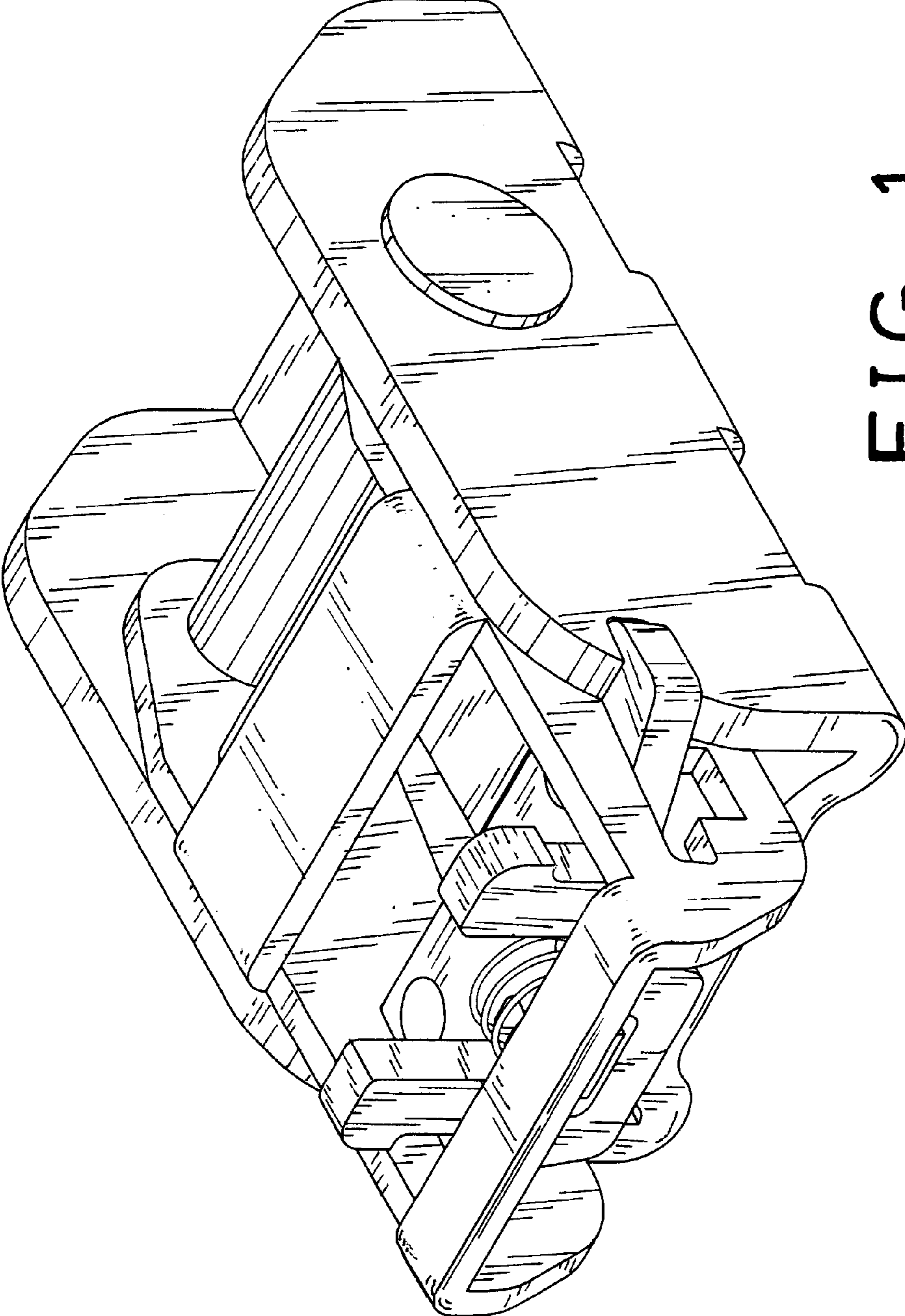


FIG. 1

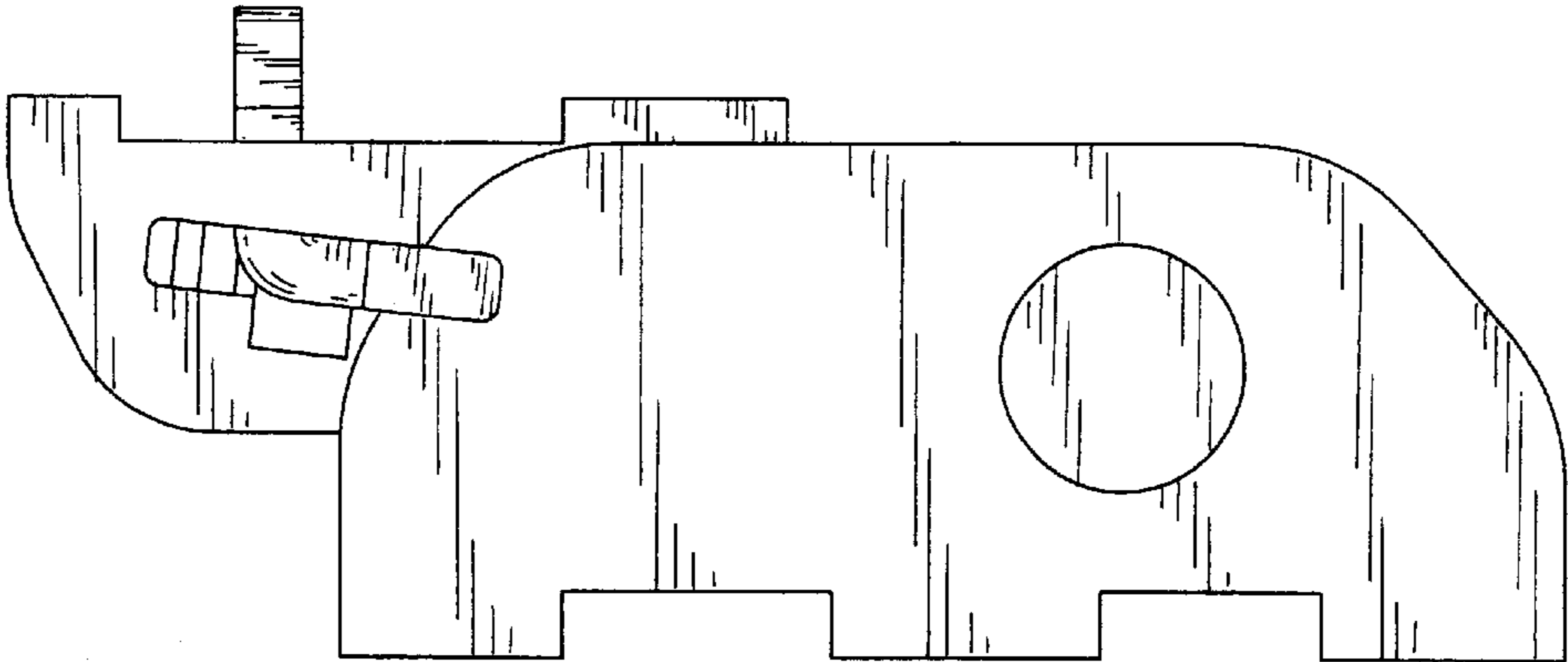


FIG. 2

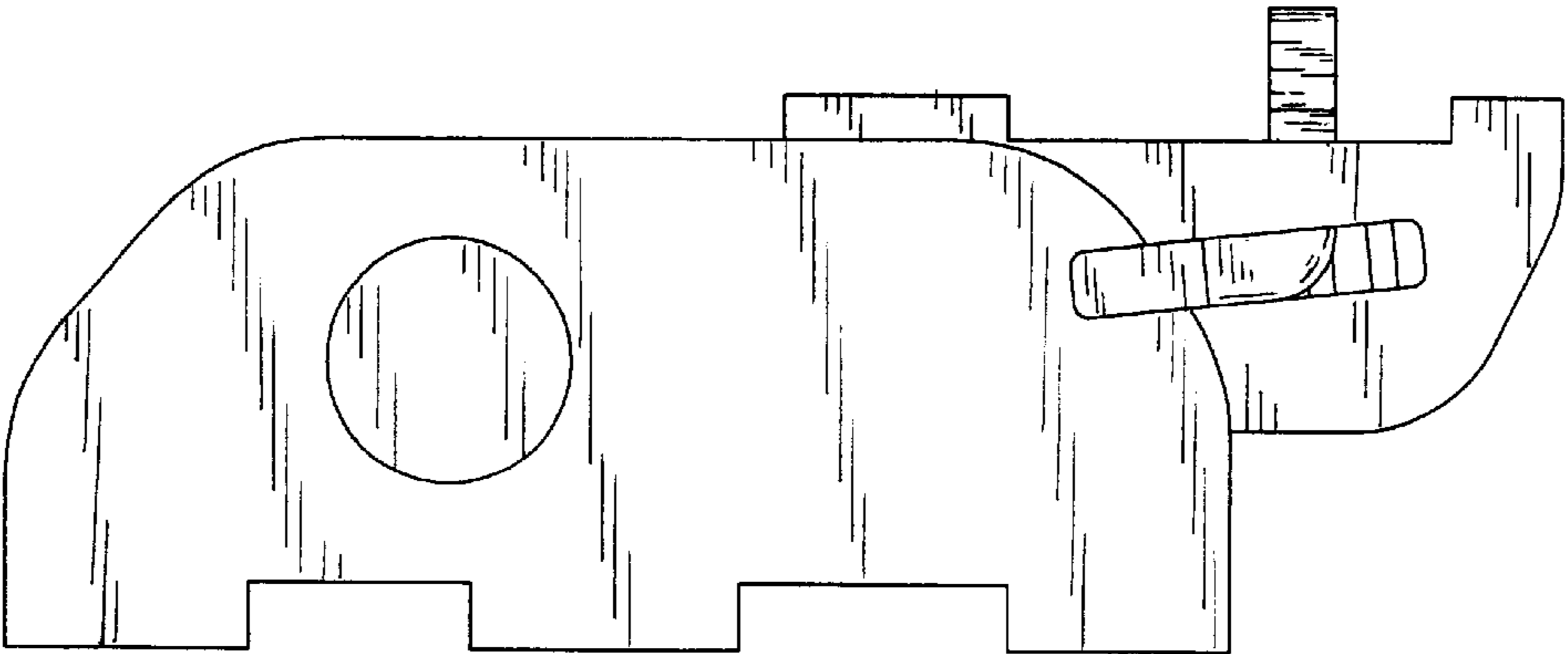


FIG. 3

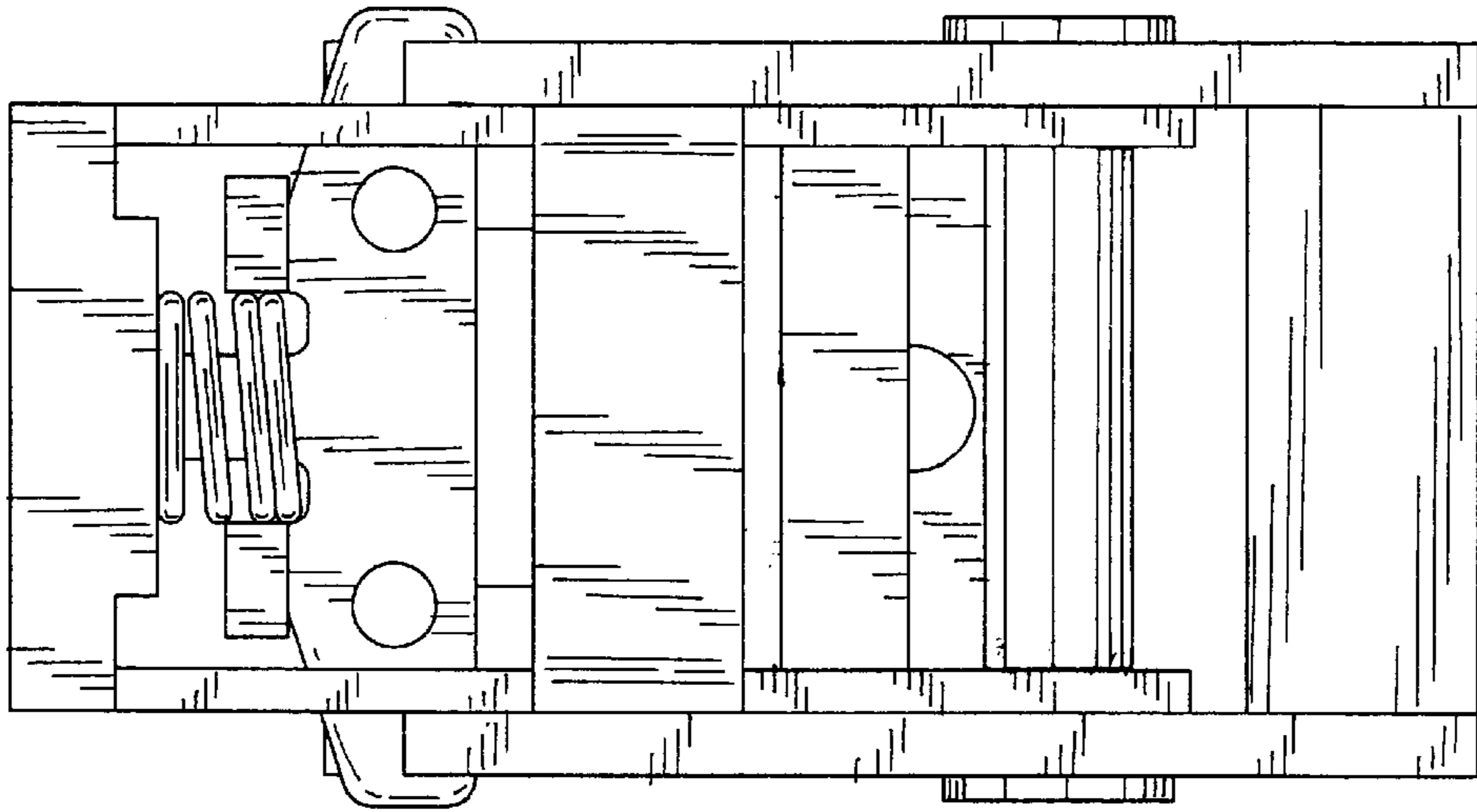


FIG. 4

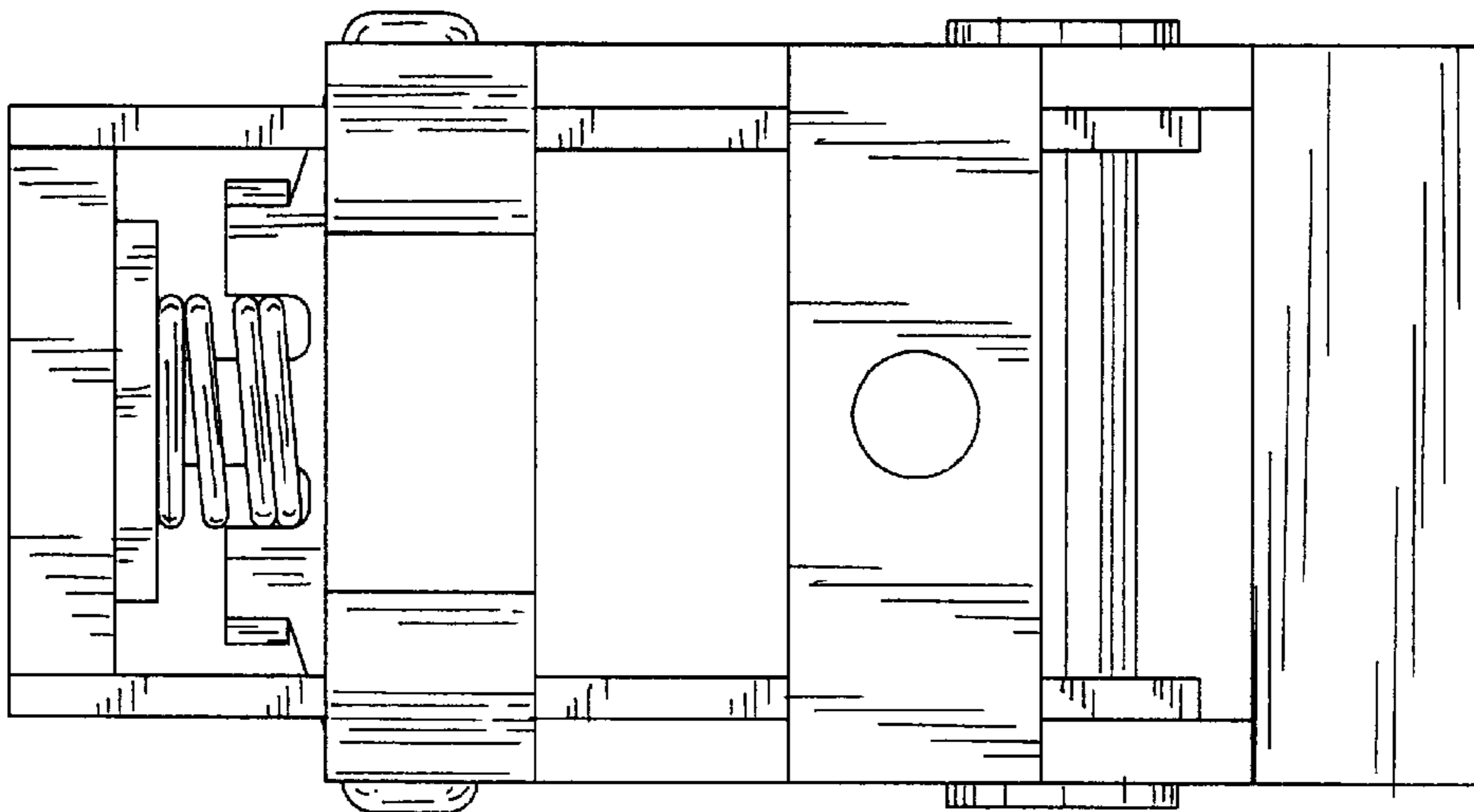


FIG. 5

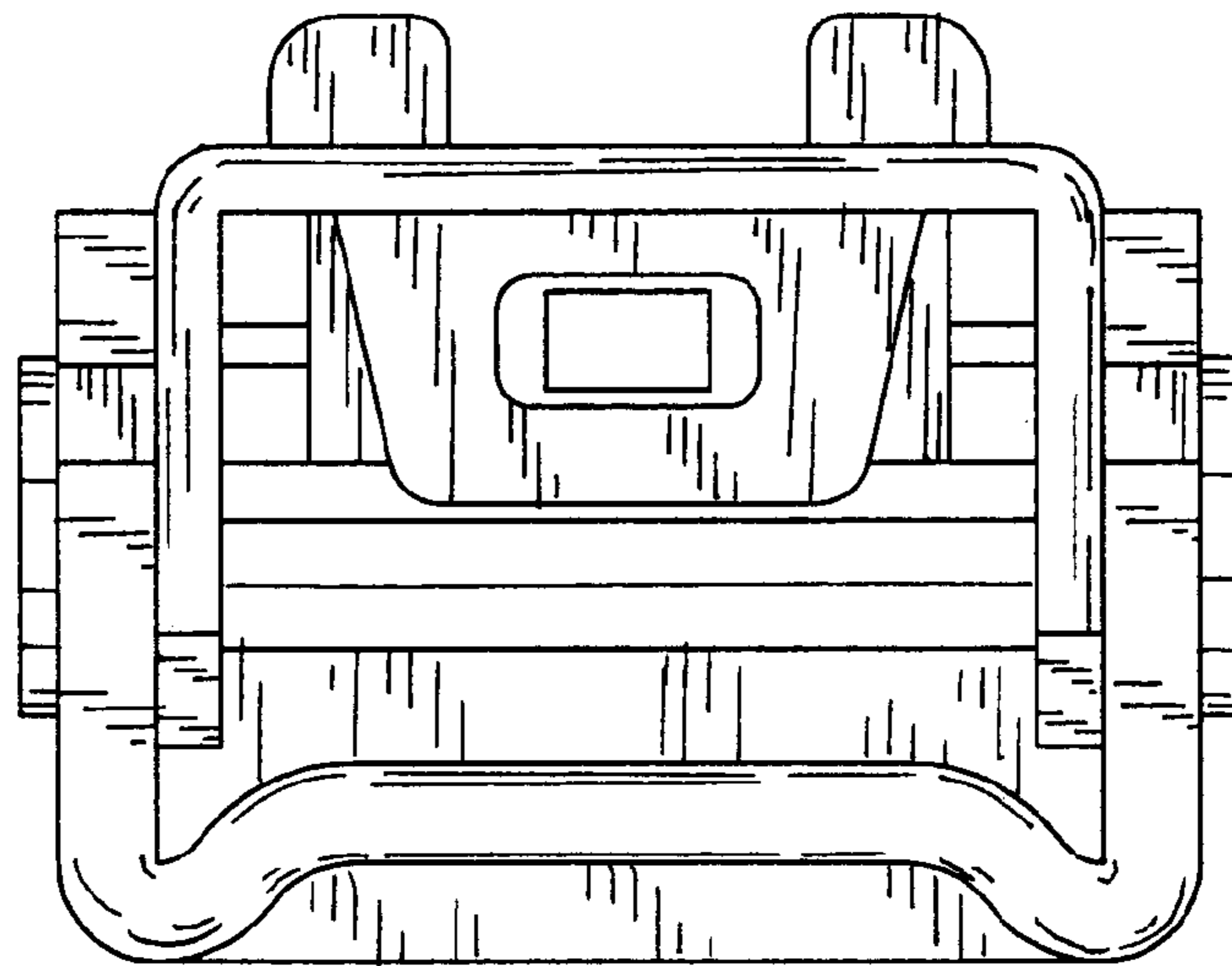


FIG. 6

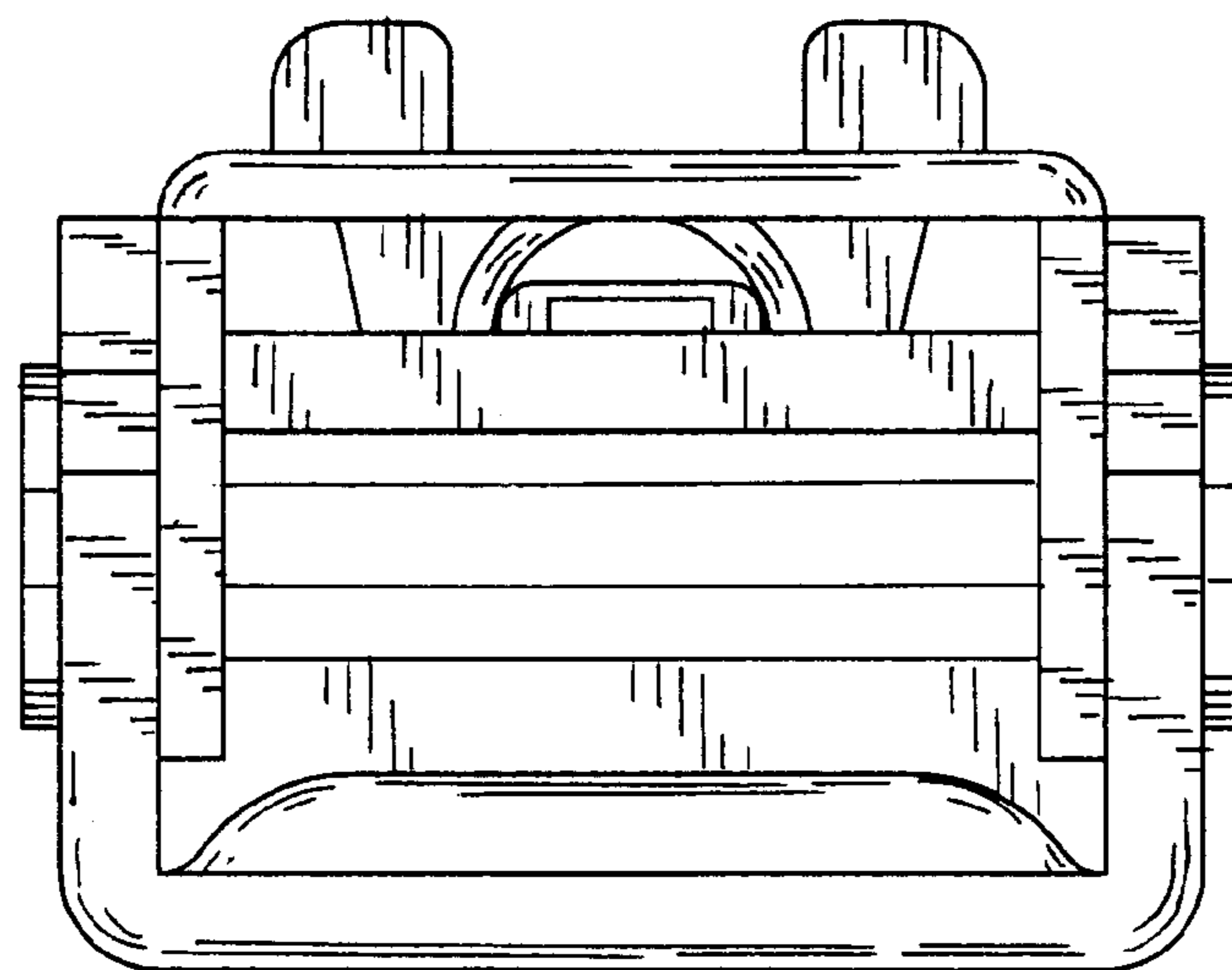


FIG. 7