

US00D514015S

(12) **United States Design Patent**
Ho

(10) **Patent No.:** **US D514,015 S**
(45) **Date of Patent:** **** Jan. 31, 2006**

(54) **ALMOND SHAPED DIAMOND**

(75) Inventor: **Nelson Chi Kai Ho**, Kowloon (HK)

(73) Assignee: **Nelson Jewellery Arts Company Ltd.**,
Kowloon (HK)

(**) Term: **14 Years**

(21) Appl. No.: **29/216,410**

(22) Filed: **Nov. 2, 2004**

(51) **LOC (8) Cl.** **11-01**

(52) **U.S. Cl.** **D11/90**

(58) **Field of Classification Search** D11/1-2,
D11/26-29, 89-92; 63/26-28, 32

See application file for complete search history.

(56) **References Cited**

U.S. PATENT DOCUMENTS

D273,372 S	*	4/1984	Gennari	D11/90
D500,963 S	*	1/2005	Fuchs	D11/90
D501,156 S	*	1/2005	Tolkowsky	D11/90

* cited by examiner

Primary Examiner—Ralf Seifert

(74) *Attorney, Agent, or Firm*—Alix, Yale & Ristas, LLP

(57) **CLAIM**

The ornamental design for an almond shaped diamond, as shown and described.

DESCRIPTION

FIG. 1 is a perspective view of the almond shaped diamond showing my new design;

FIG. 2 is a front view of the almond shaped diamond of FIG. 1;

FIG. 3 is a rear view of the almond shaped diamond of FIG. 1;

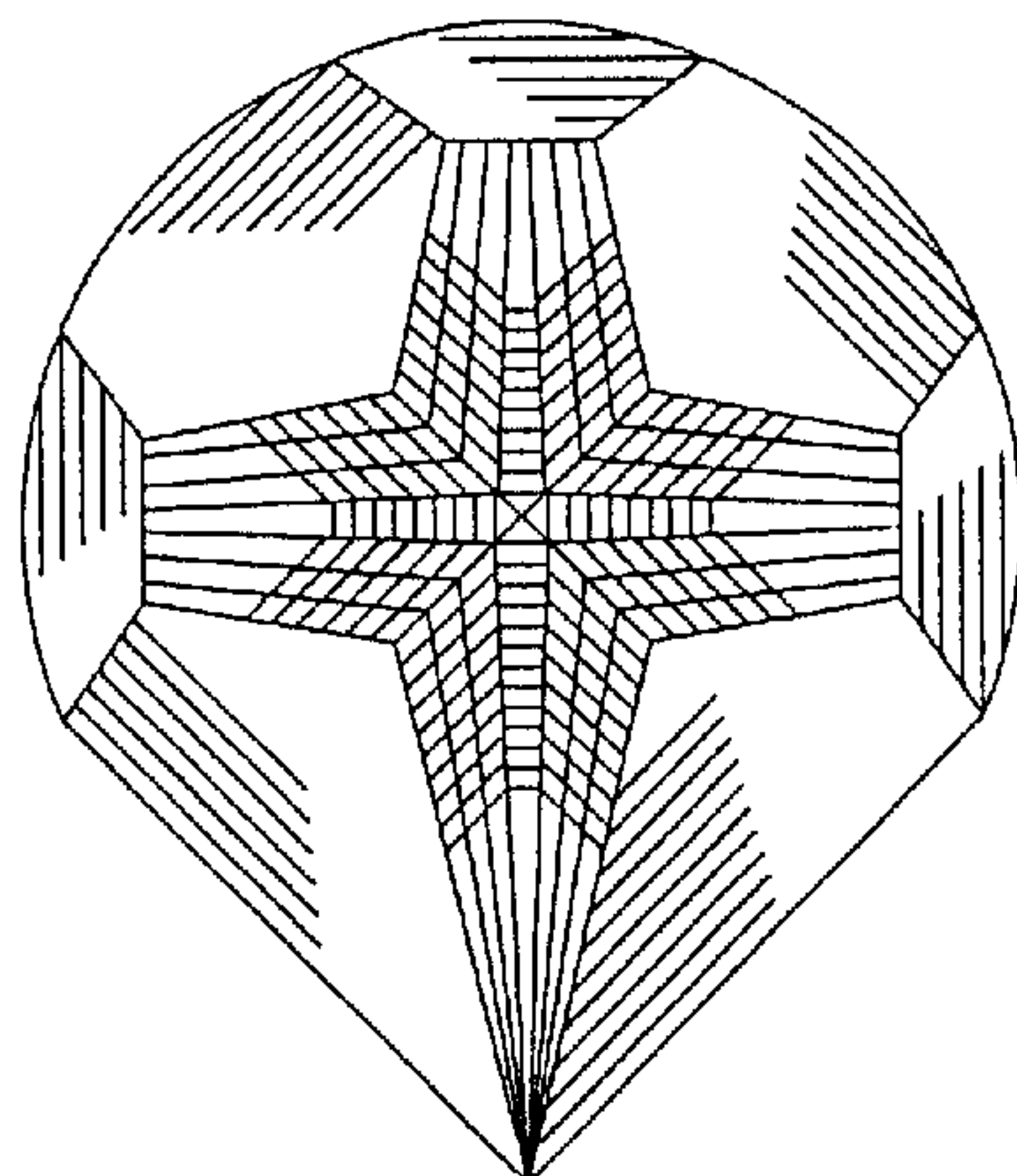
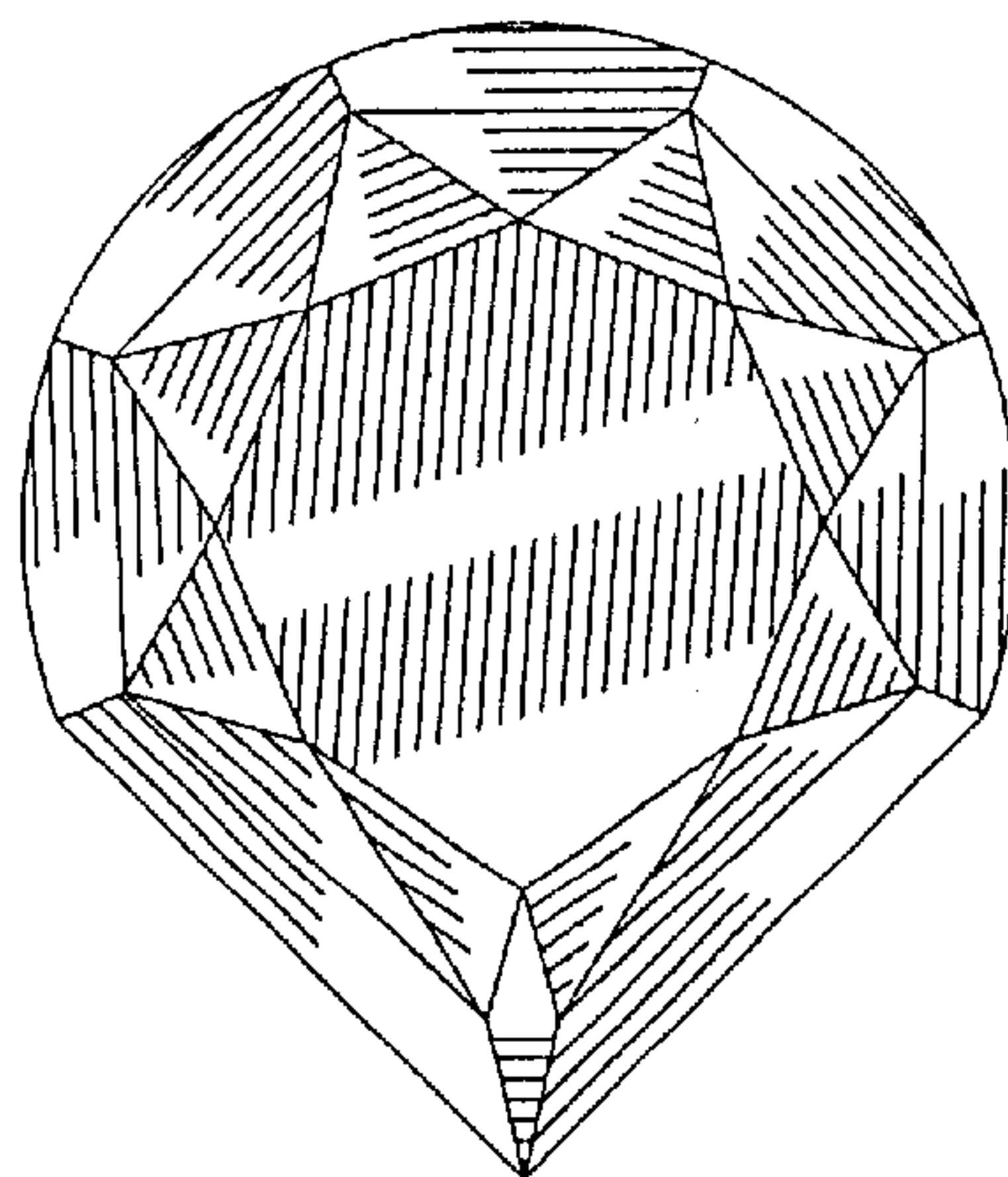
FIG. 4 is a left side view of the almond shaped diamond of FIG. 1;

FIG. 5 is a right side view of the almond shaped diamond of FIG. 1;

FIG. 6 is a top plan view of the almond shaped diamond of FIG. 1; and,

FIG. 7 is a bottom plan view of the almond shaped diamond of FIG. 1.

1 Claim, 3 Drawing Sheets



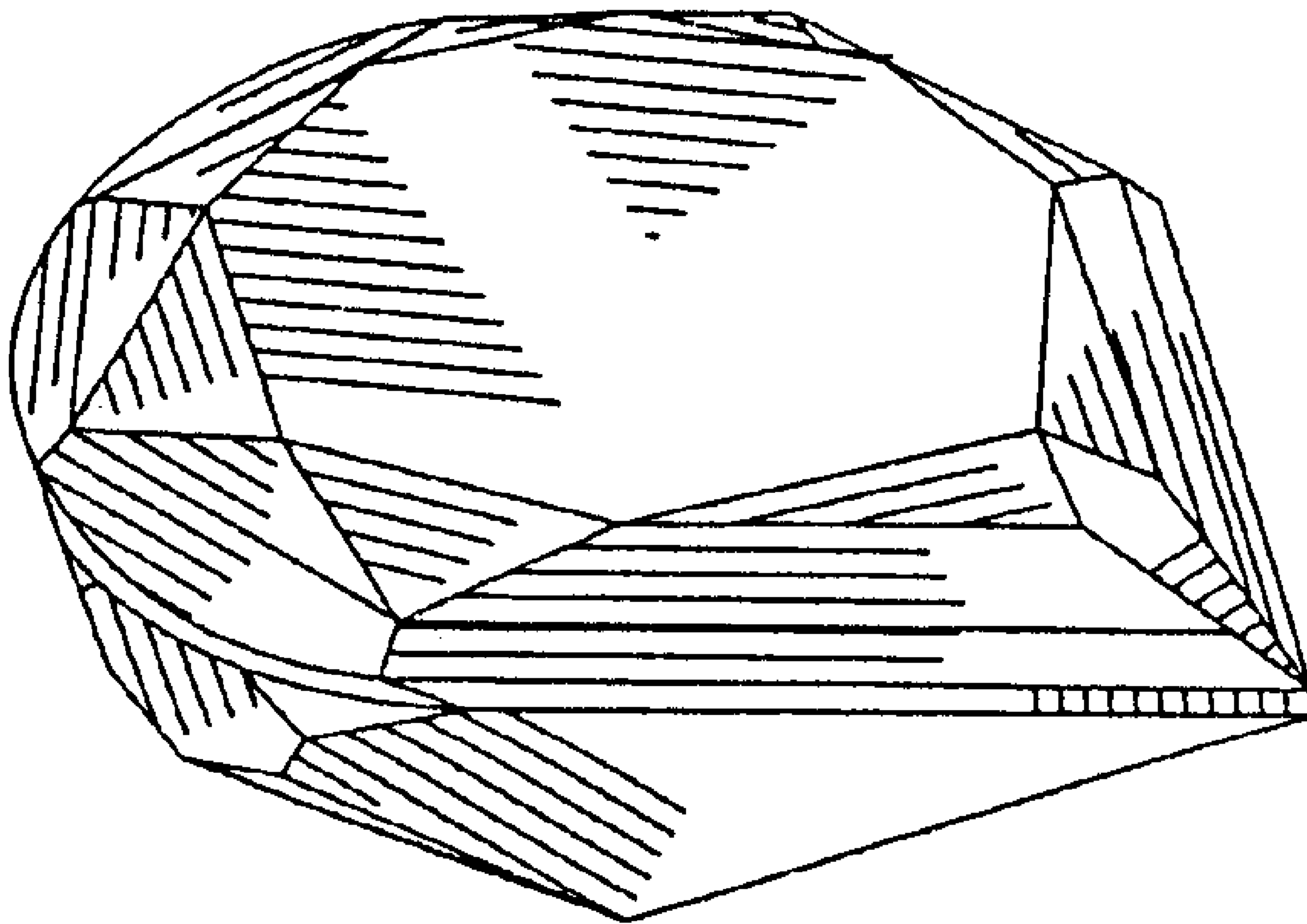


Figure 1

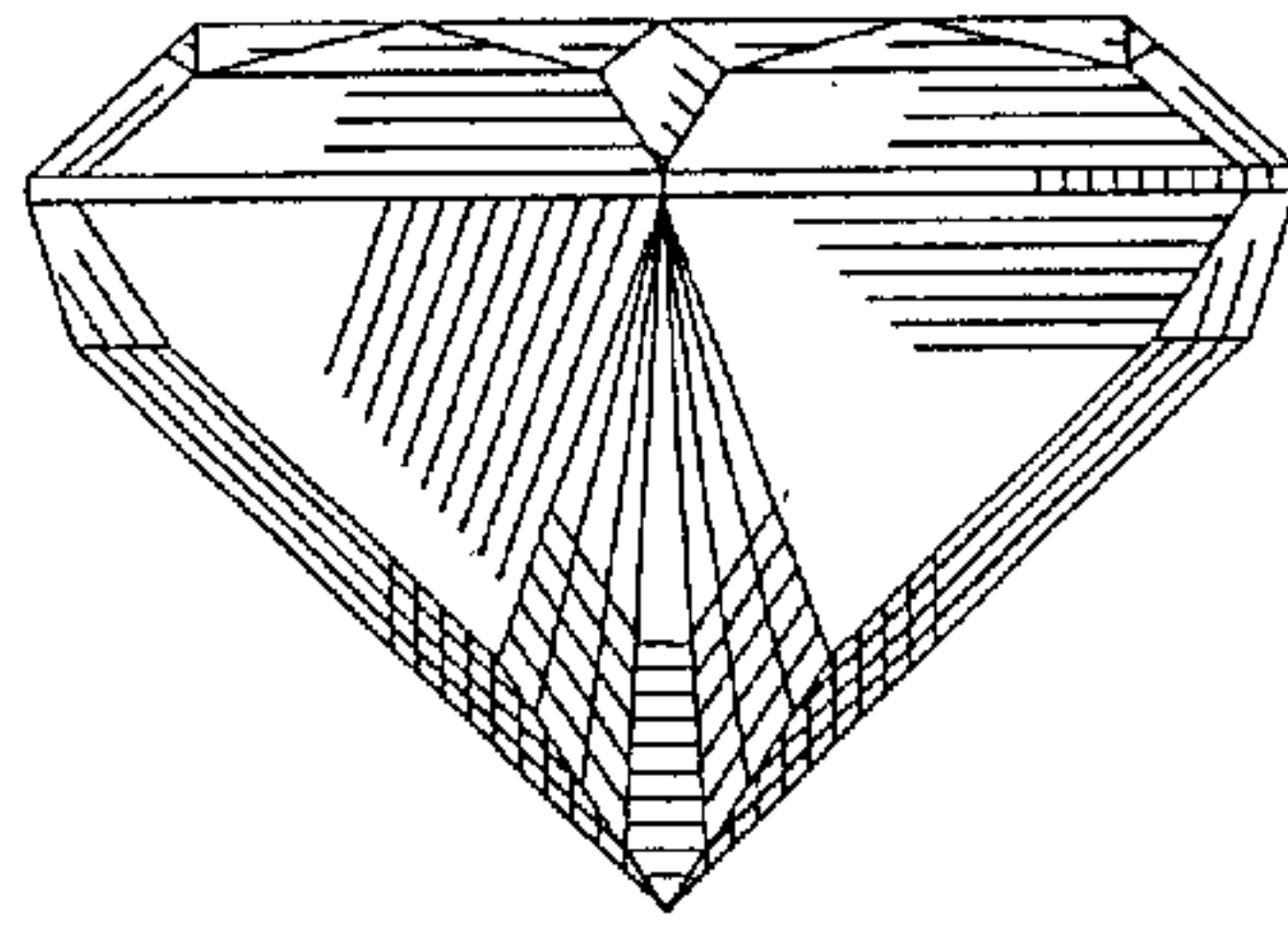


Figure 2

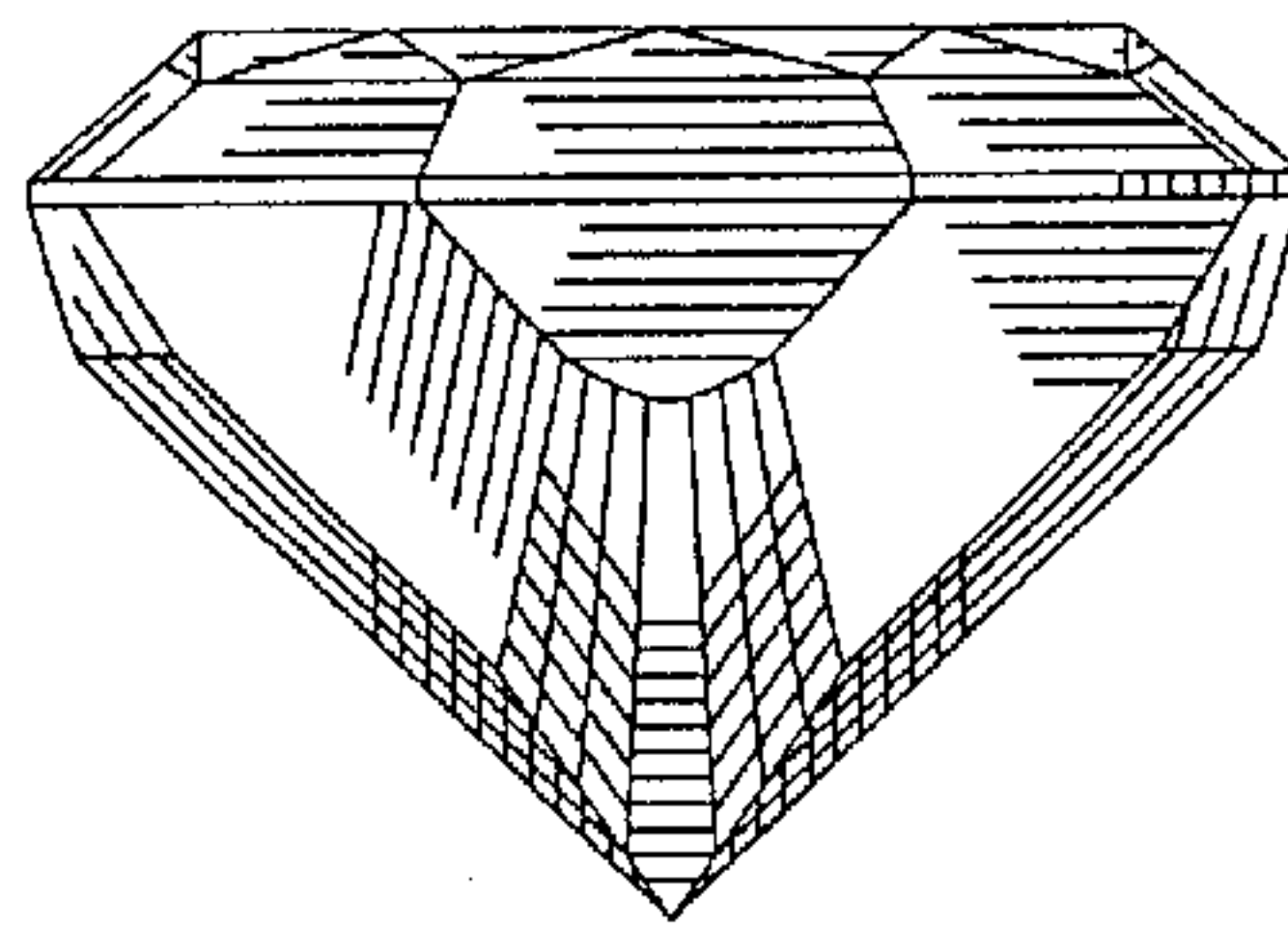


Figure 3

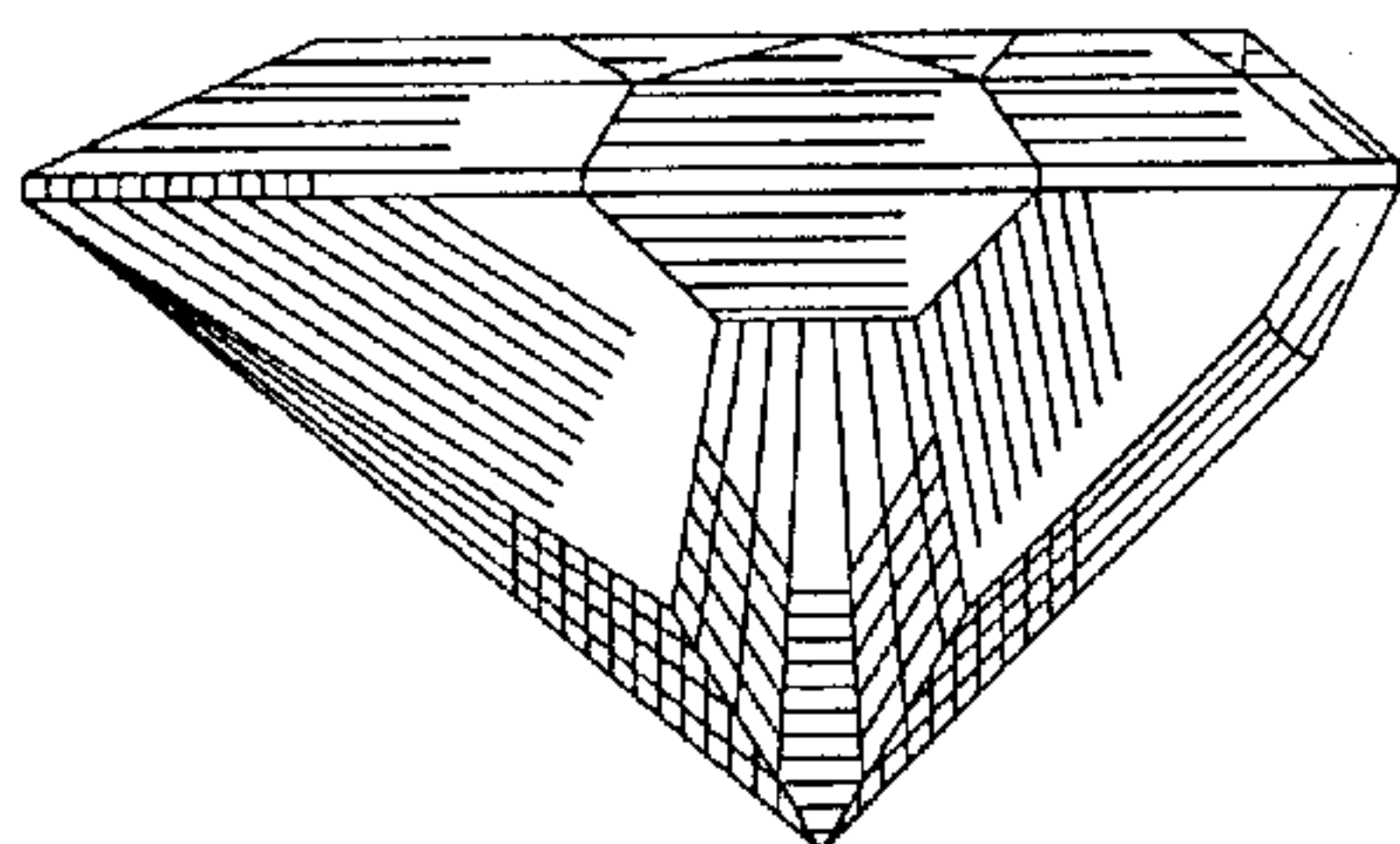


Figure 5

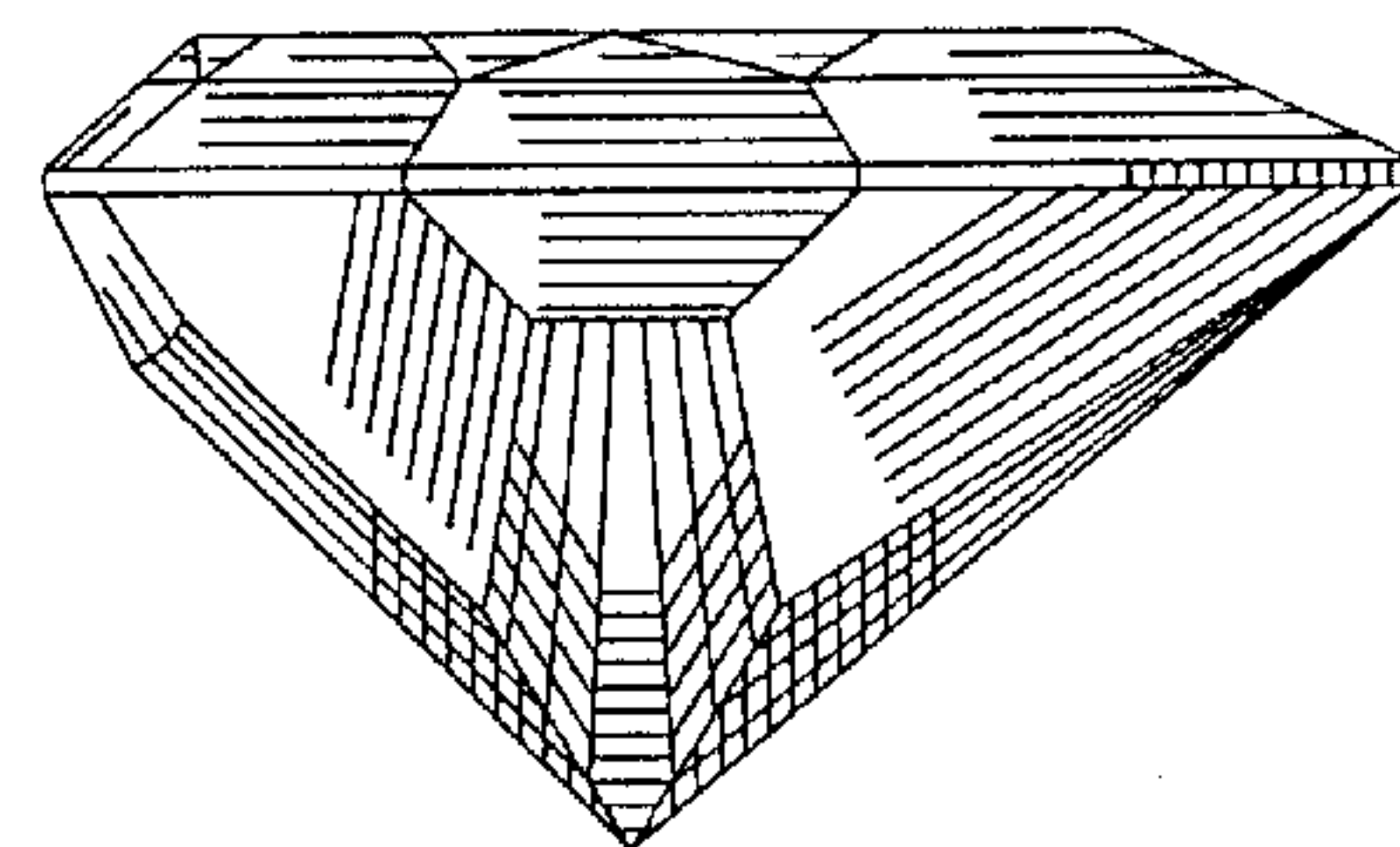


Figure 4

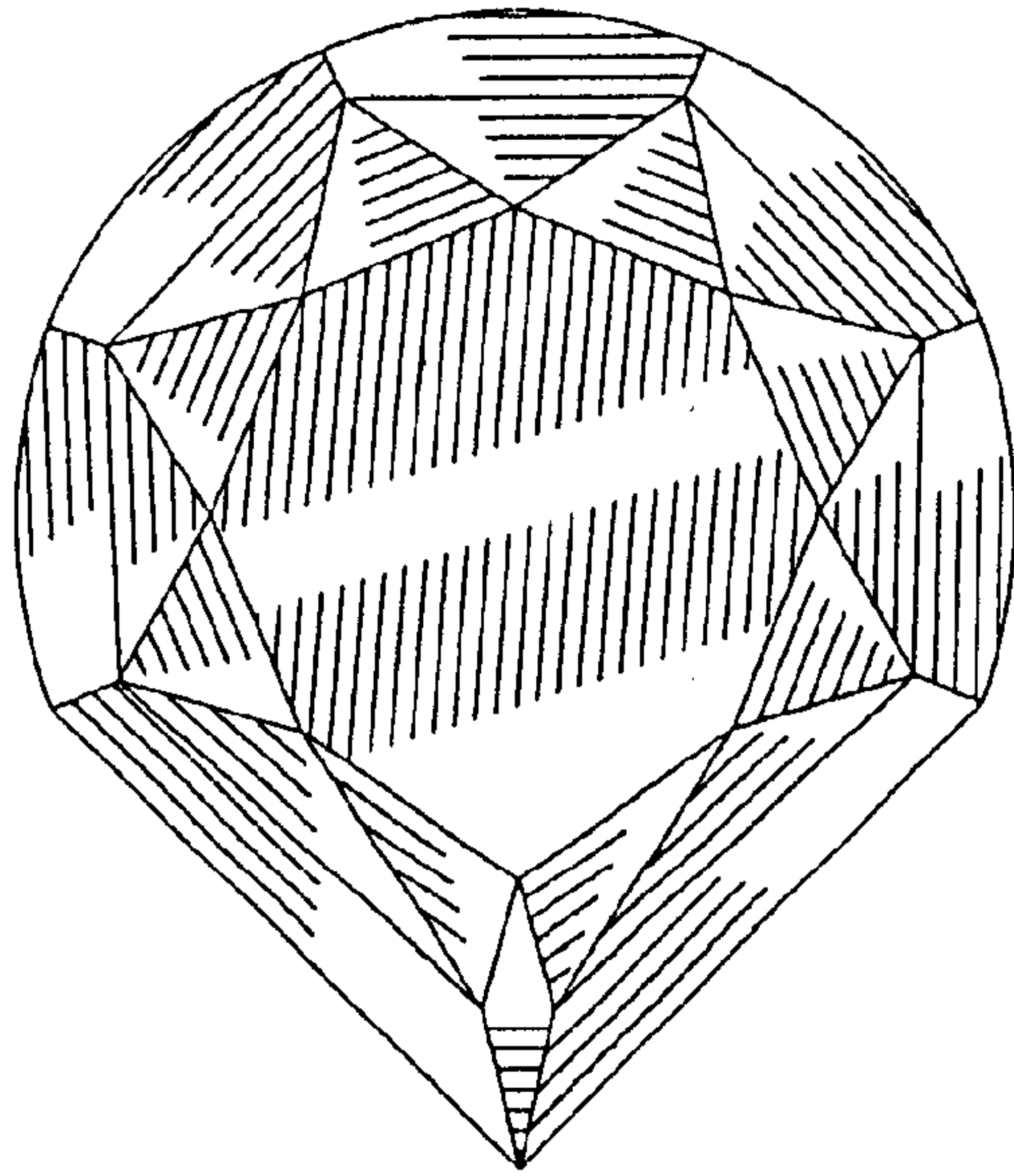


Figure 6

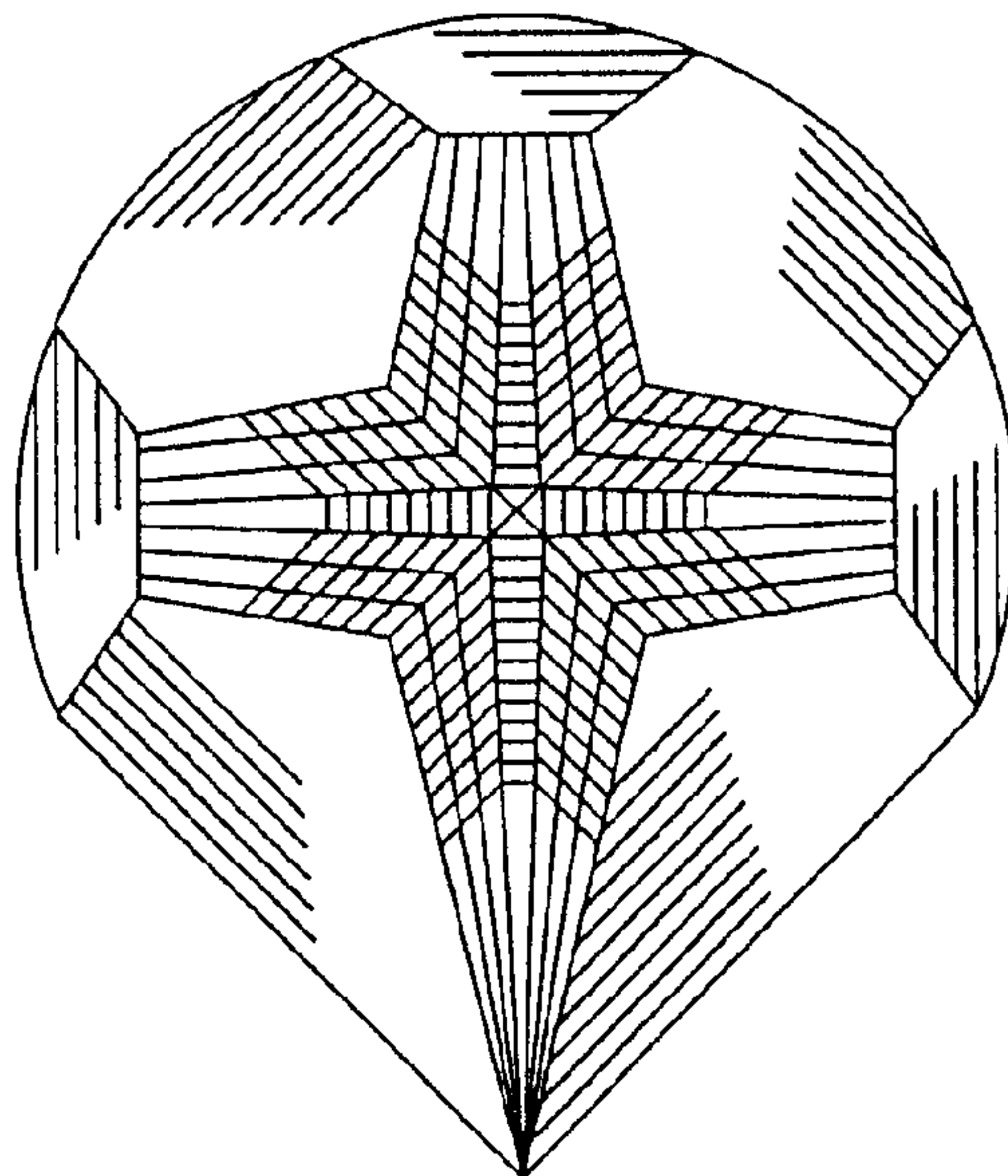


Figure 7