



US00D514010S

(12) **United States Design Patent**  
**Corrigan**

(10) **Patent No.:** **US D514,010 S**

(45) **Date of Patent:** **\*\* Jan. 31, 2006**

(54) **ALARM HOUSING**

(75) **Inventor:** **Robert W. Corrigan, Boise, ID (US)**

(73) **Assignee:** **Electronic Controls Company, Boise, ID (US)**

(\*\*) **Term:** **14 Years**

(21) **Appl. No.:** **29/214,965**

(22) **Filed:** **Oct. 12, 2004**

(51) **LOC (8) Cl. .... 10-06**

(52) **U.S. Cl. .... D10/120**

(58) **Field of Classification Search** ..... D26/28,  
D26/1; D10/120, 119, 116, 111, 104, 102;  
340/463, 436, 435, 384.4, 384.1

See application file for complete search history.

(56) **References Cited**

**U.S. PATENT DOCUMENTS**

D205,957 S	*	10/1966	Nagel	.....	D26/28
D237,648 S	*	11/1975	Cibie	.....	D26/28
D313,195 S	*	12/1990	Memola	.....	D10/120
D338,165 S	*	8/1993	Gregori et al.	.....	D10/104
D452,454 S	*	12/2001	Bekasi et al.	.....	D10/120

6,885,295 B2	*	4/2005	Hanson-Abbott et al.	...	340/474
2001/0043142 A1	*	11/2001	Milliken	.....	340/463
2004/0046653 A1	*	3/2004	Milliken	.....	340/463

\* cited by examiner

*Primary Examiner*—Cathron C. Brooks

*Assistant Examiner*—Austin Murphy

(74) *Attorney, Agent, or Firm*—Joseph W. Holland

(57) **CLAIM**

The ornamental design for the alarm housing, as shown and described.

**DESCRIPTION**

FIG. 1 is a perspective view of an alarm housing showing my new design;

FIG. 2 is a front view thereof;

FIG. 3 is a first side view thereof;

FIG. 4 is a rear view thereof;

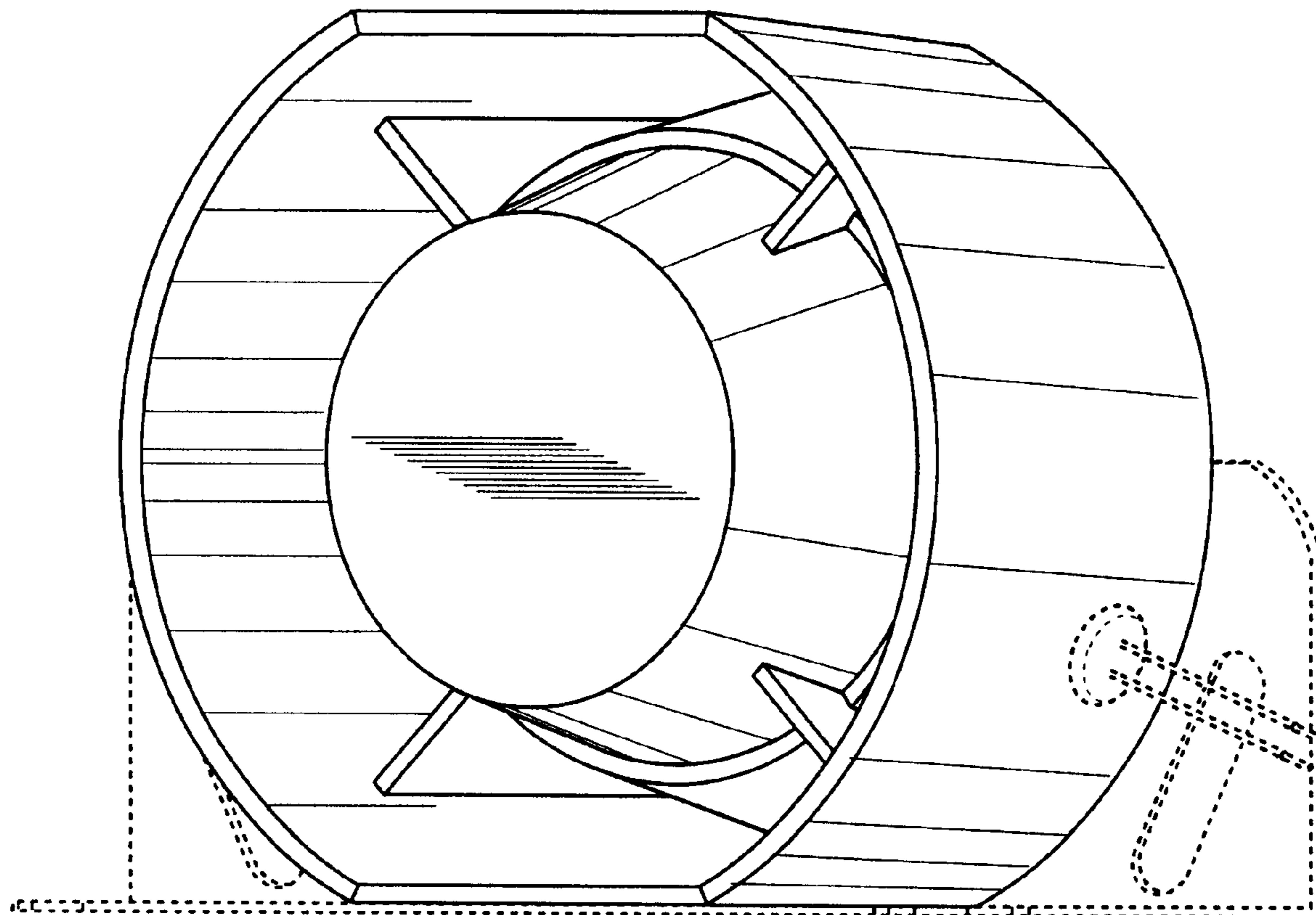
FIG. 5 is a second side view thereof;

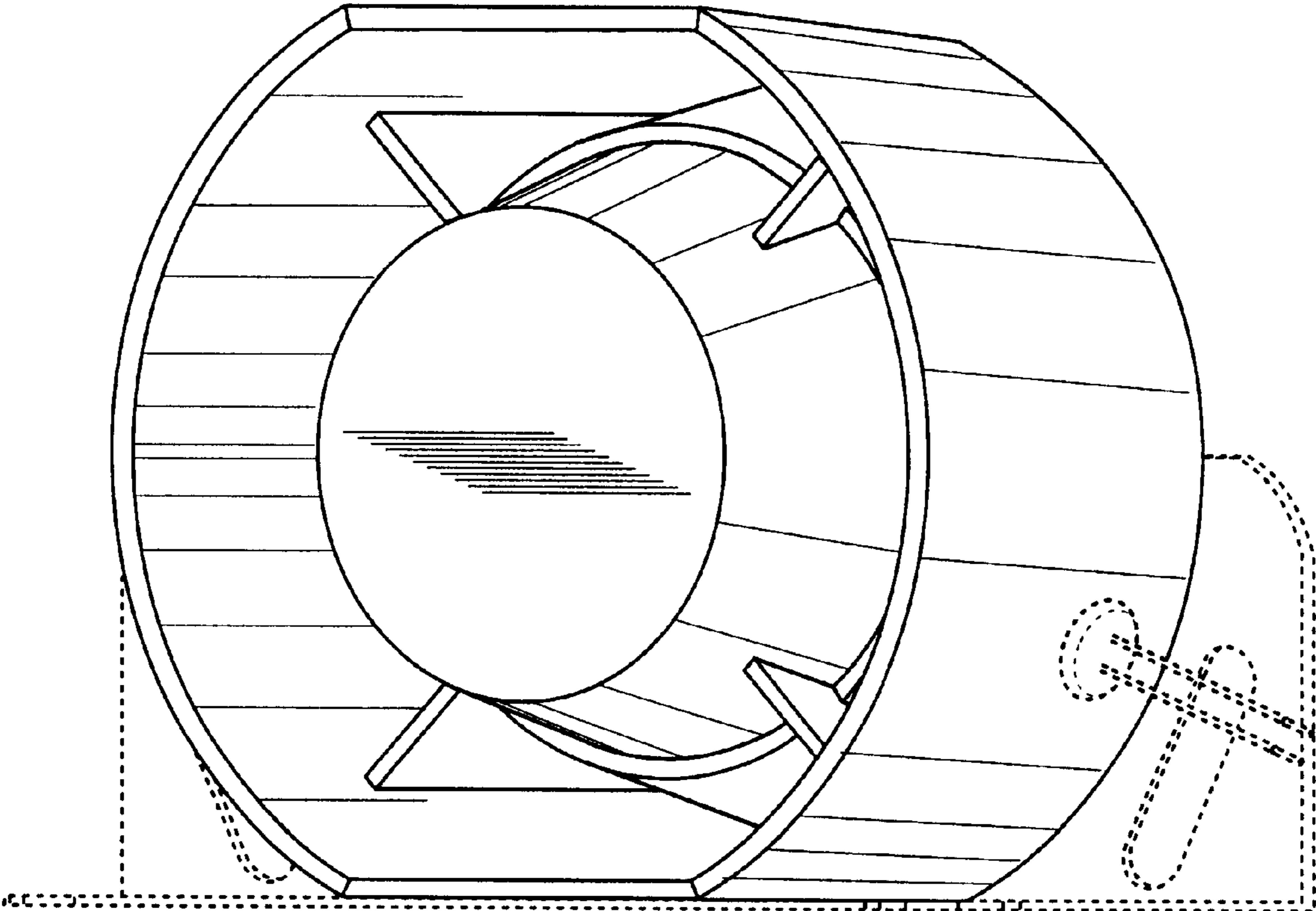
FIG. 6 is a top view thereof; and,

FIG. 7 is a bottom view thereof.

The broken lines shown in FIGS. 1–7 form no part of the claimed design.

**1 Claim, 6 Drawing Sheets**





**FIG. 1**

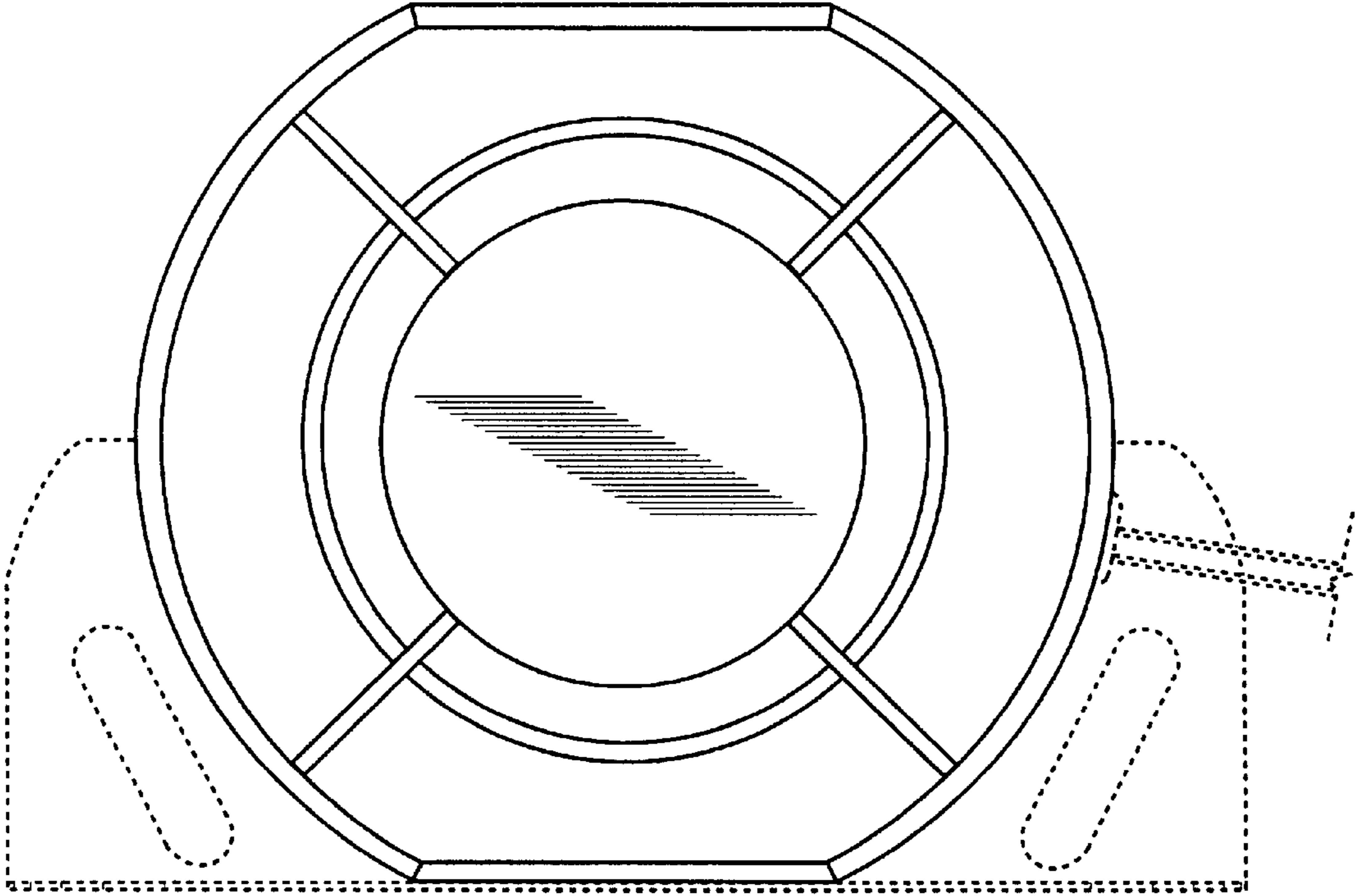
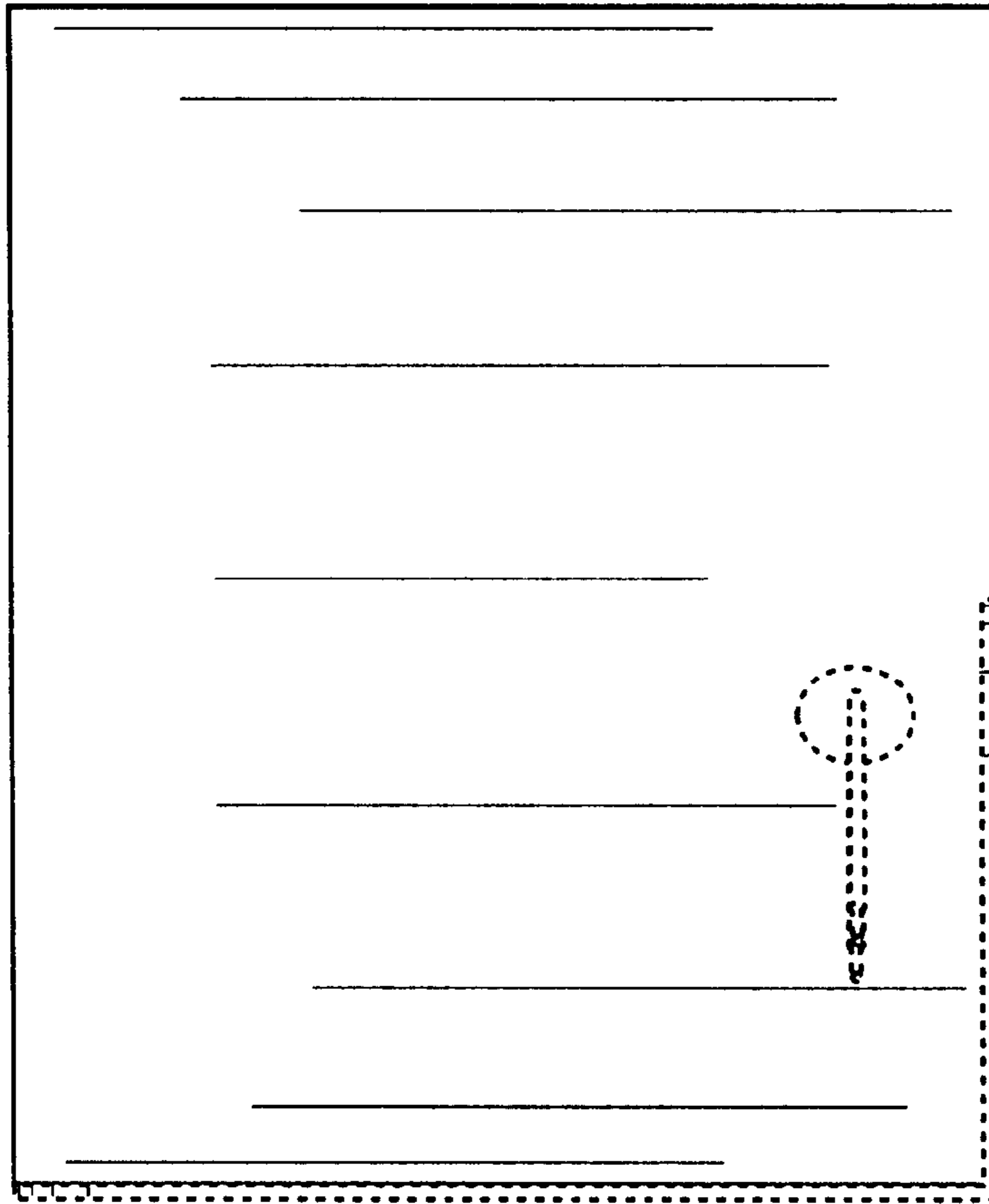
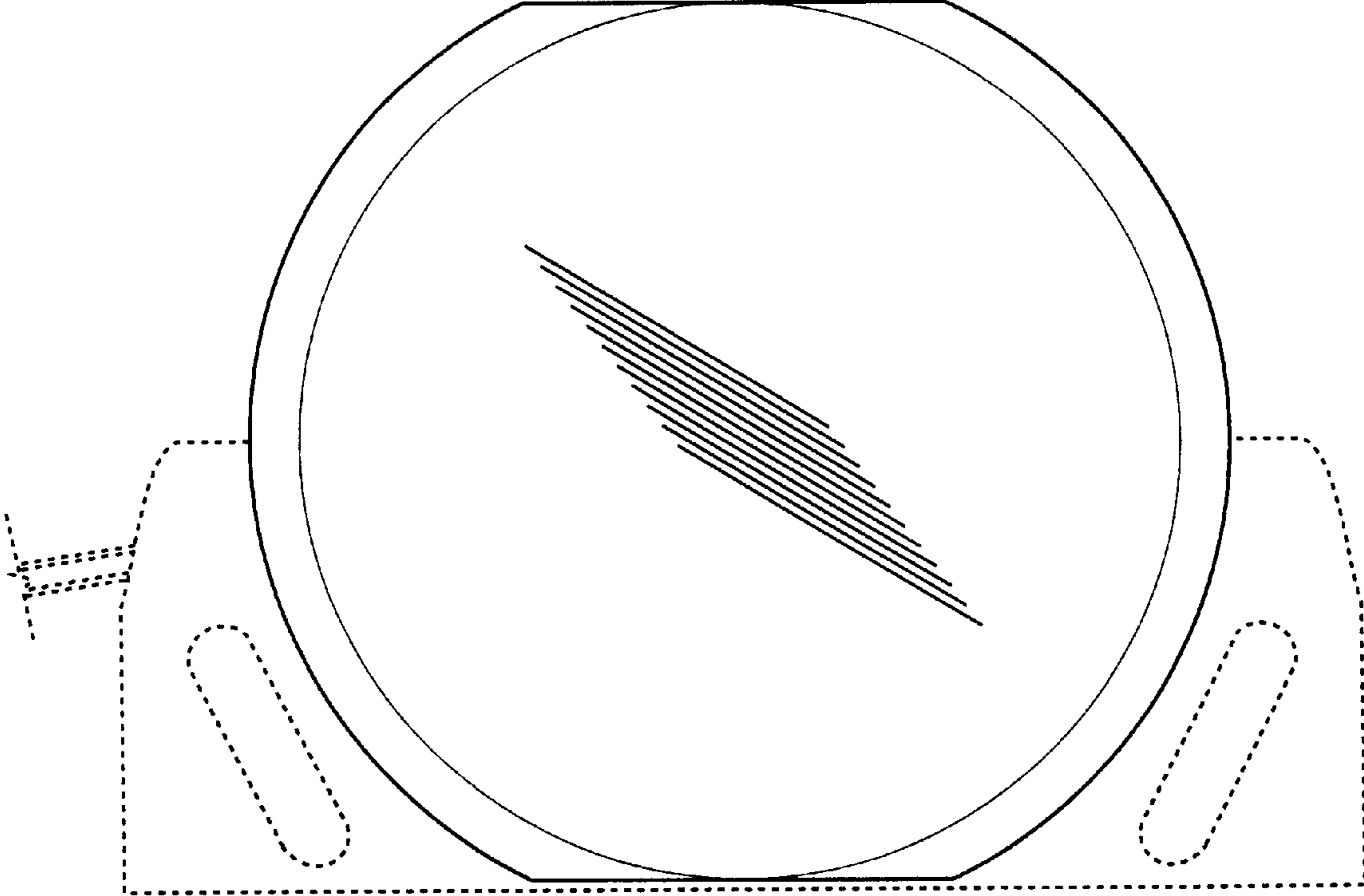


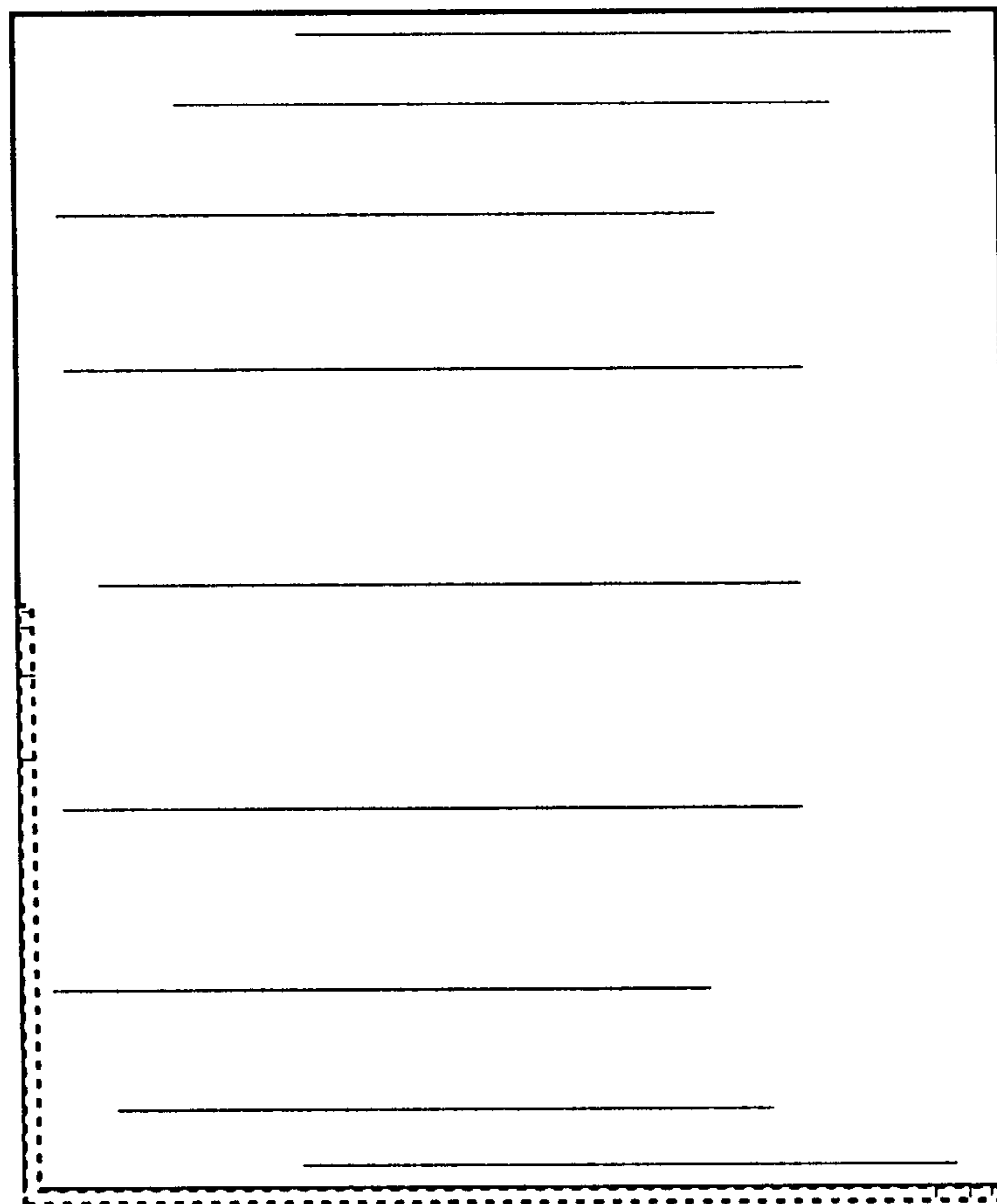
FIG. 2



**FIG. 3**



**FIG. 4**



**FIG. 5**

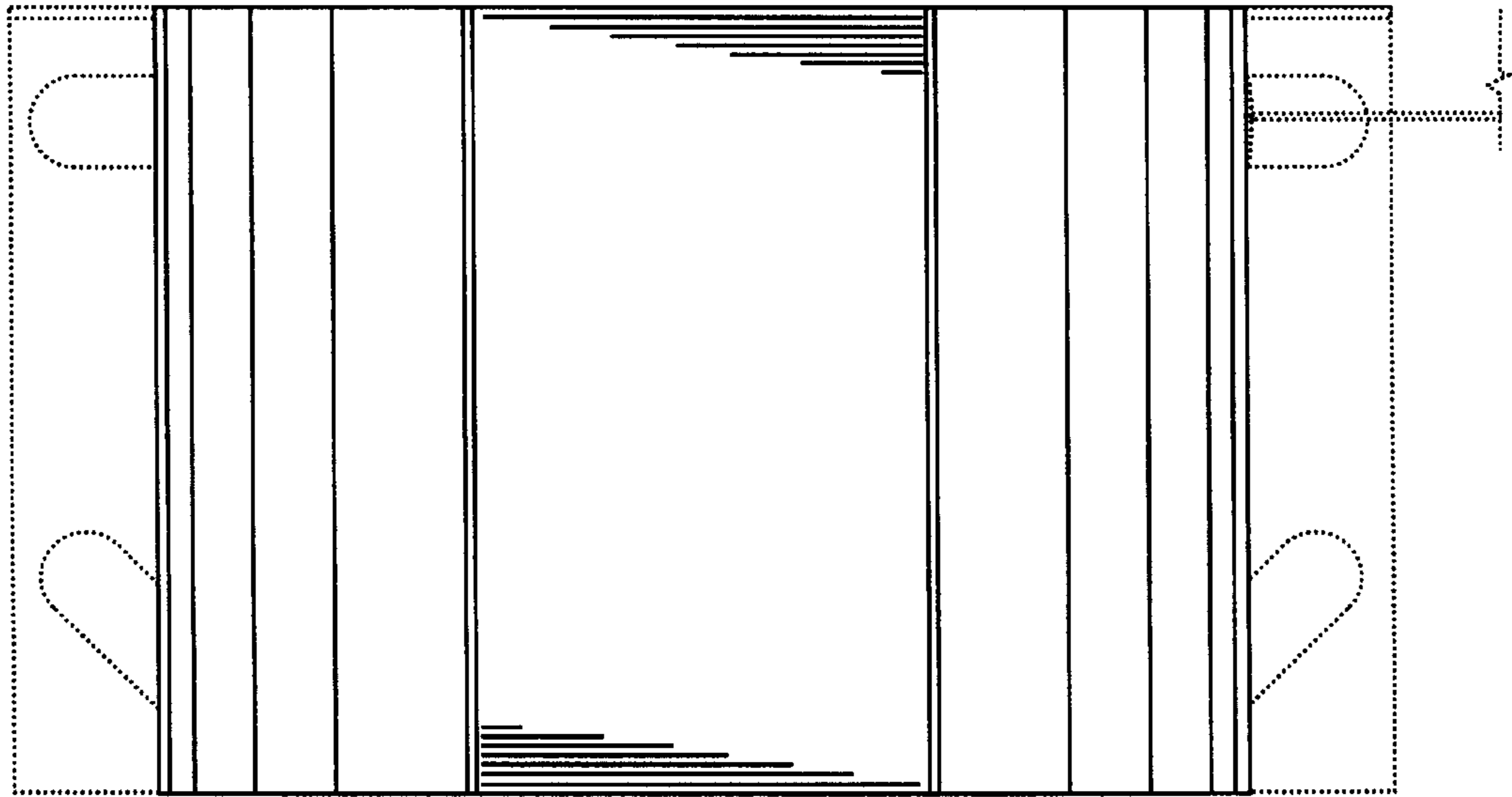


FIG. 6

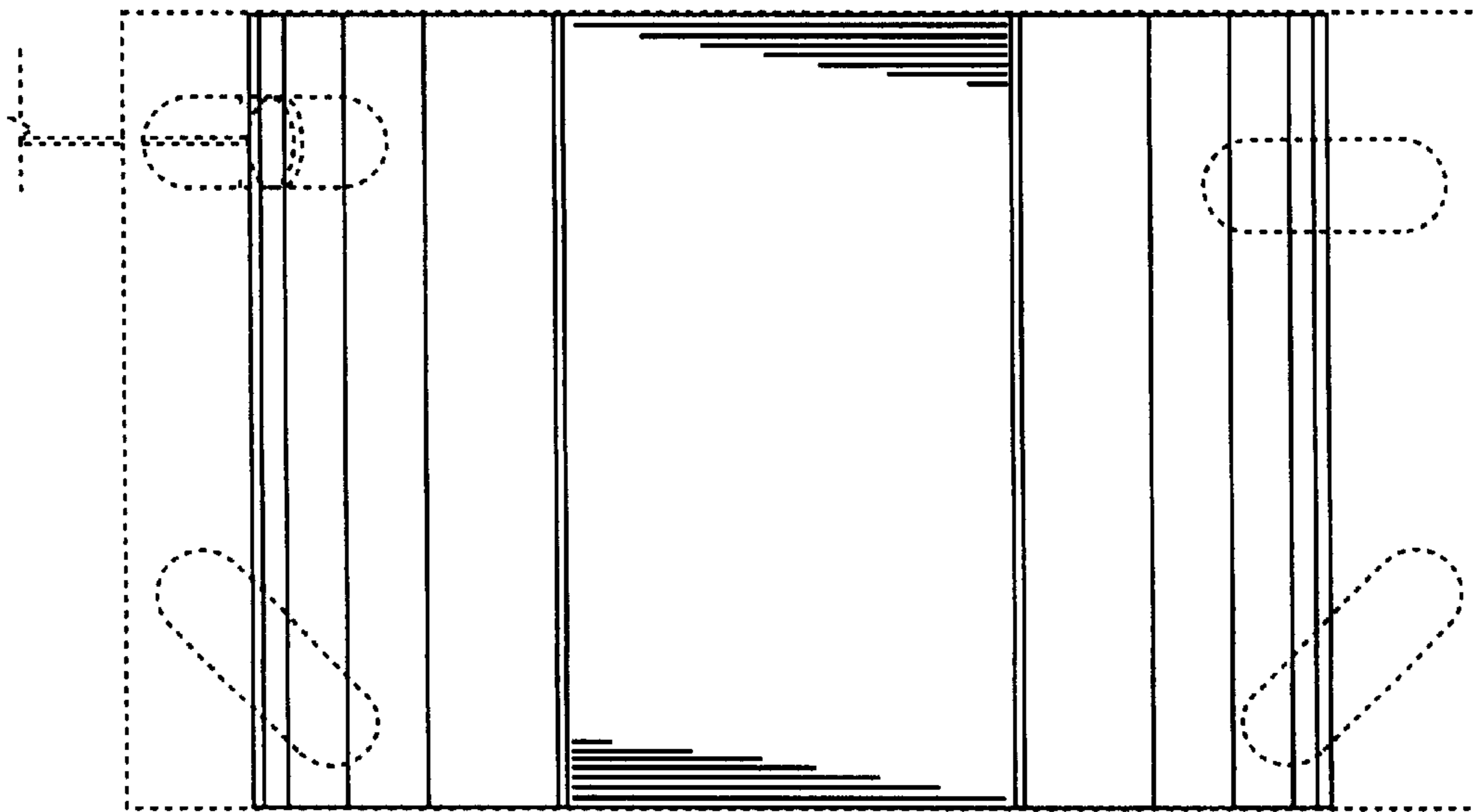


FIG. 7