



US00D514009S

(12) **United States Design Patent**
Parr et al.

(10) **Patent No.:** **US D514,009 S**
(45) **Date of Patent:** **** Jan. 31, 2006**

(54) **SAFETY TRIANGLE**

(76) Inventors: **Ben C. Parr**, 16570 Kiowa Rd.,
Heyworth, IL (US) 61745; **Paul R.**
Parr, 405 S. Evans St., Bloomington,
IL (US) 61701

(**) Term: **14 Years**

(21) Appl. No.: **29/208,462**

(22) Filed: **Jun. 29, 2004**

(51) **LOC (8) Cl.** **10-05**

(52) **U.S. Cl.** **D10/114**

(58) **Field of Classification Search** D6/497;
D10/113, 114, 109, 104, 106; 404/10, 9, 72,
404/16, 12-15; 362/8, 311; 359/547, 531;
340/908, 908.1, 815.45, 332, 468; 116/63;
D16/244; 248/165, 164, 163, 162, 170, 171;
182/18

See application file for complete search history.

(56) **References Cited**

U.S. PATENT DOCUMENTS

2,591,888 A * 4/1952 Steffen 340/908
2,781,017 A * 2/1957 Fuller et al. 116/63 R
D183,569 S * 9/1958 Hoffman D10/114
D220,408 S * 4/1971 Nygaard D10/114

D287,576 S * 1/1987 Anderson et al. D10/114
D389,078 S * 1/1998 Freeman et al. D10/114
6,265,969 B1 * 7/2001 Shih 340/468
6,637,904 B2 * 10/2003 Hernandez 362/8
6,873,249 B2 * 3/2005 Chu 340/332

* cited by examiner

Primary Examiner—Cathron C. Brooks
Assistant Examiner—Austin Murphy
(74) *Attorney, Agent, or Firm*—Philip L. Bateman

(57) **CLAIM**

The ornamental design for a safety triangle, as shown and described.

DESCRIPTION

FIG. 1 is a top, front, and left side perspective view of a safety triangle showing my new design;
FIG. 2 is a left side elevation view thereof;
FIG. 3 is a right side elevation view thereof;
FIG. 4 is a front elevation view thereof;
FIG. 5 is a top plan view thereof;
FIG. 6 is a rear elevation view thereof;
FIG. 7 is a bottom plan view thereof; and,
FIG. 8 is a perspective view of the safety triangle in a folded position for storage.

1 Claim, 4 Drawing Sheets

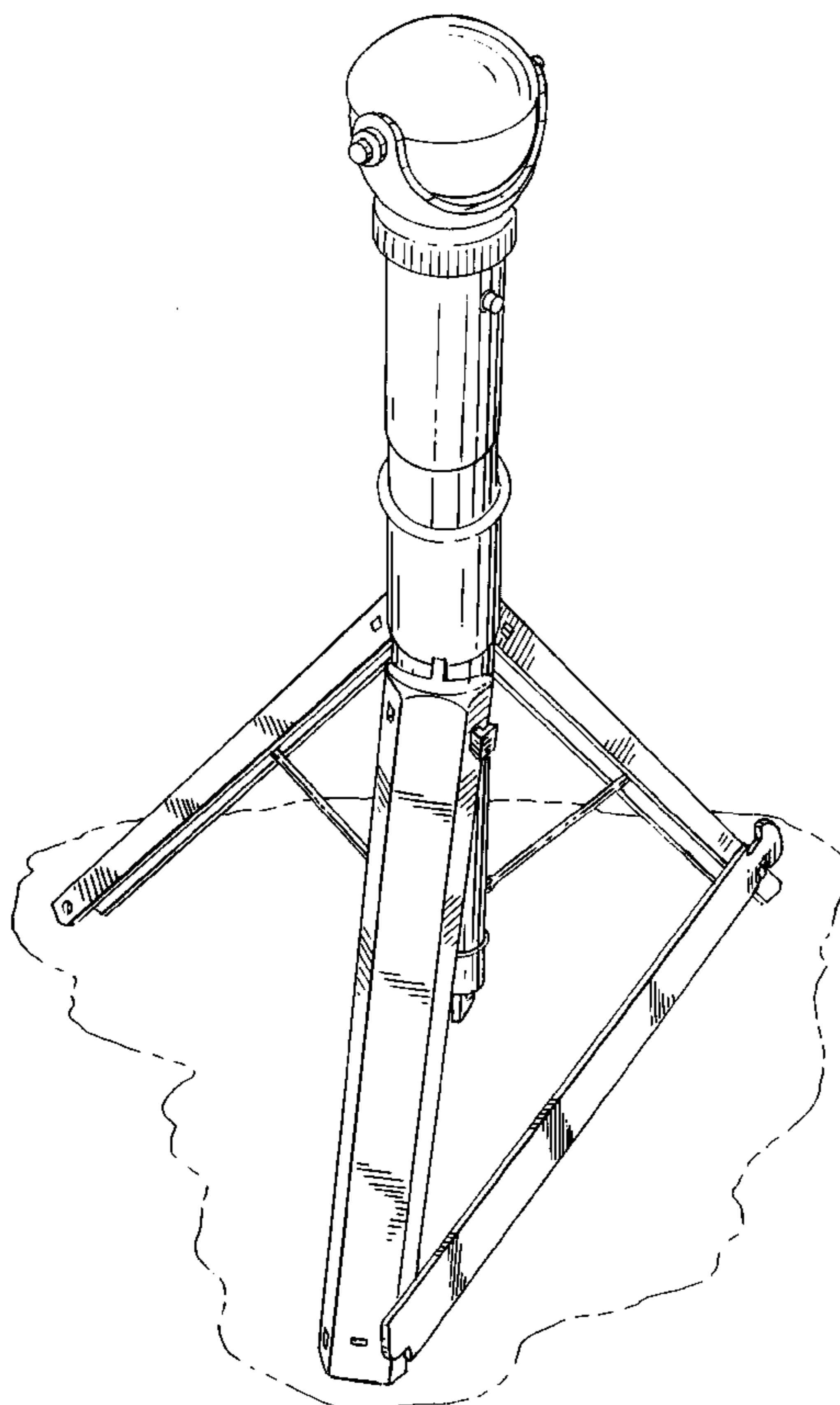


FIG. 1

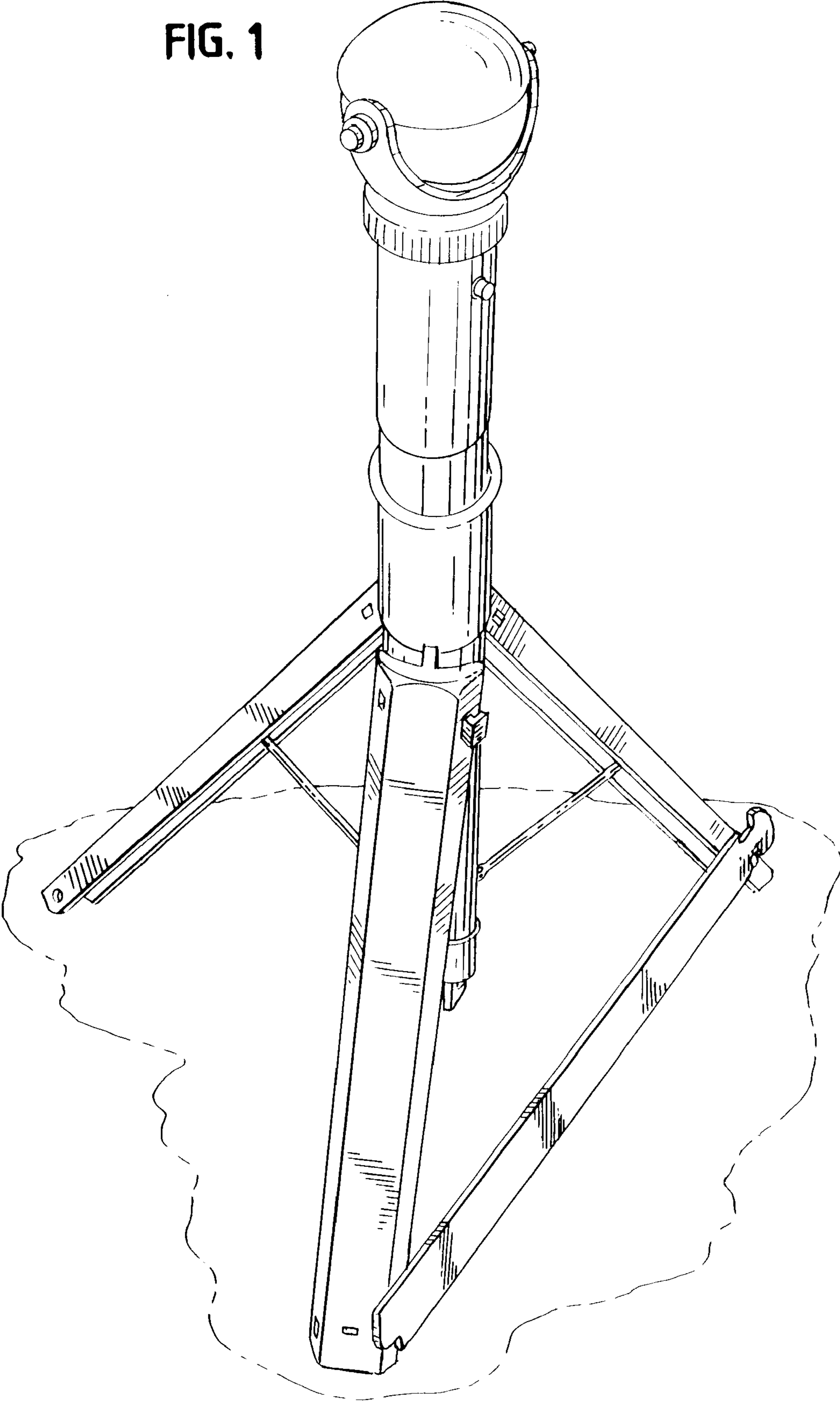


FIG. 2

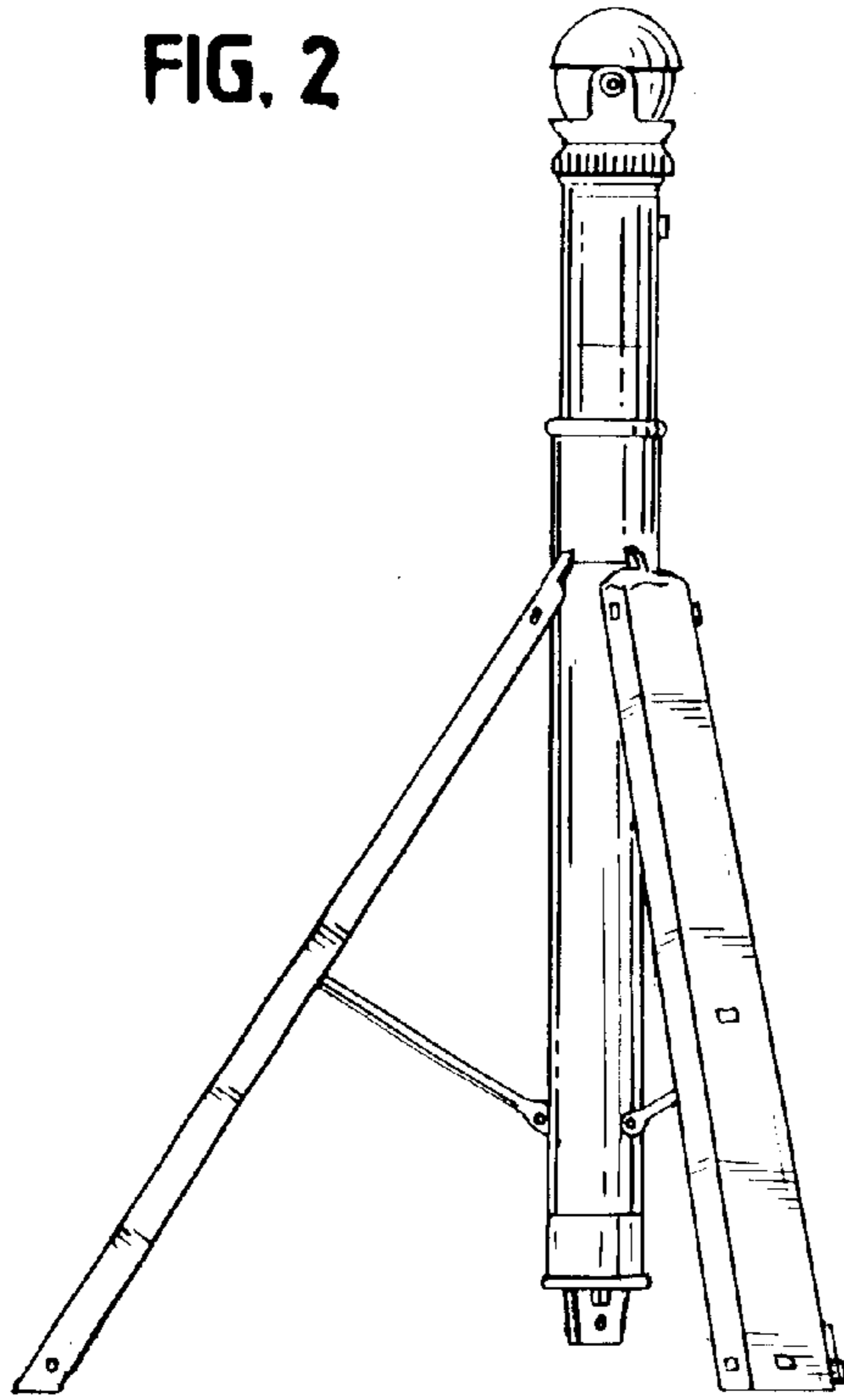


FIG. 3

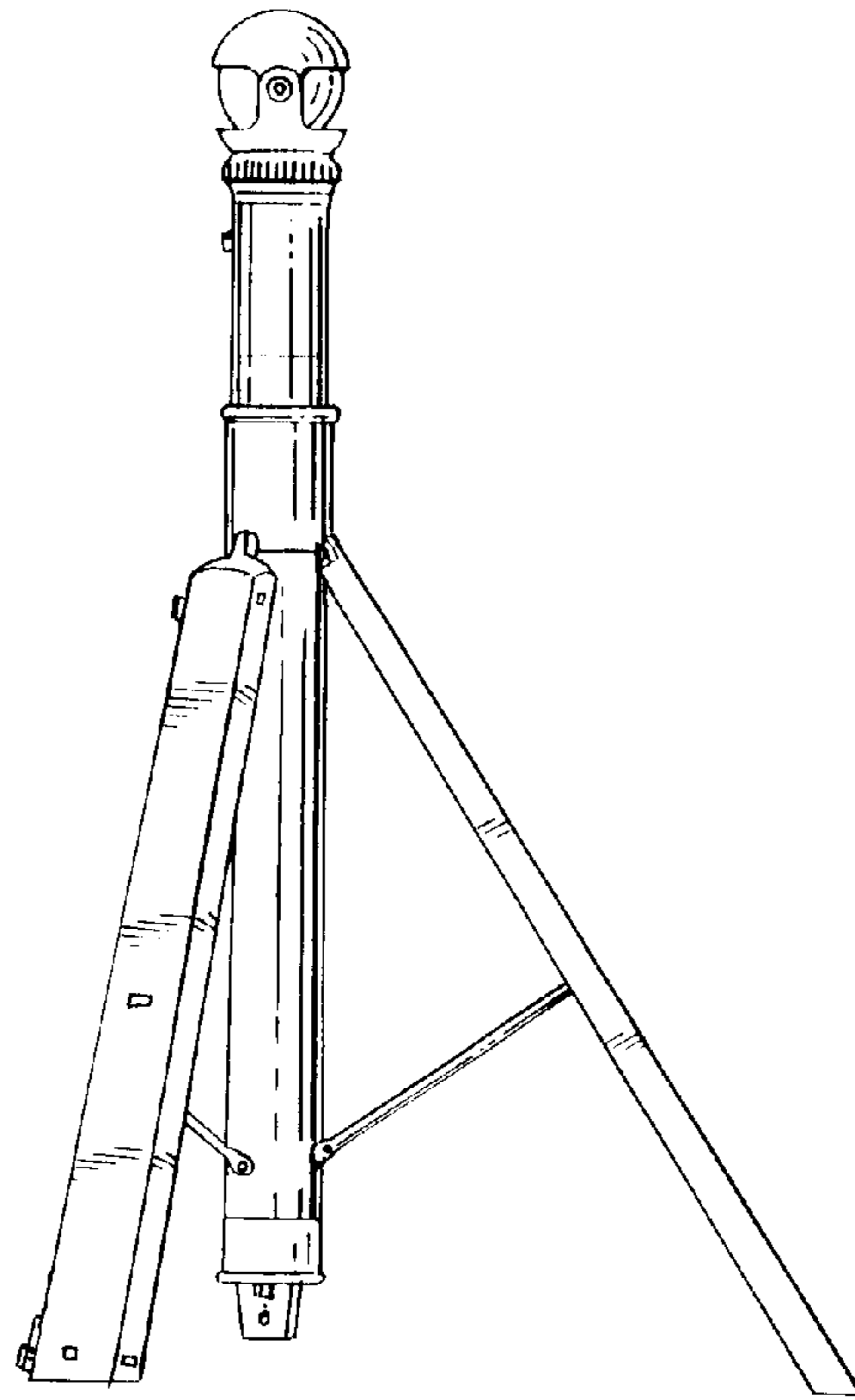


FIG. 4

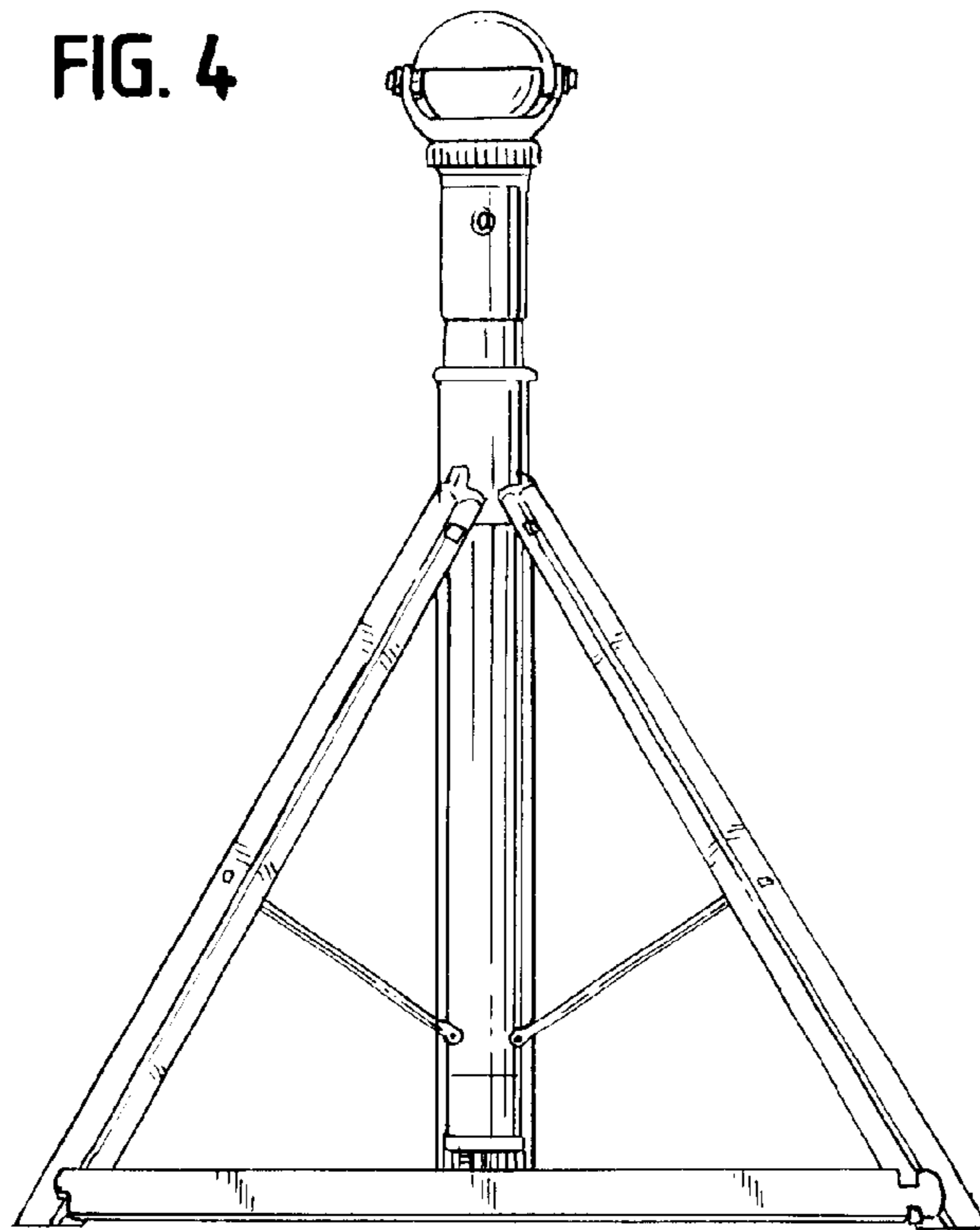
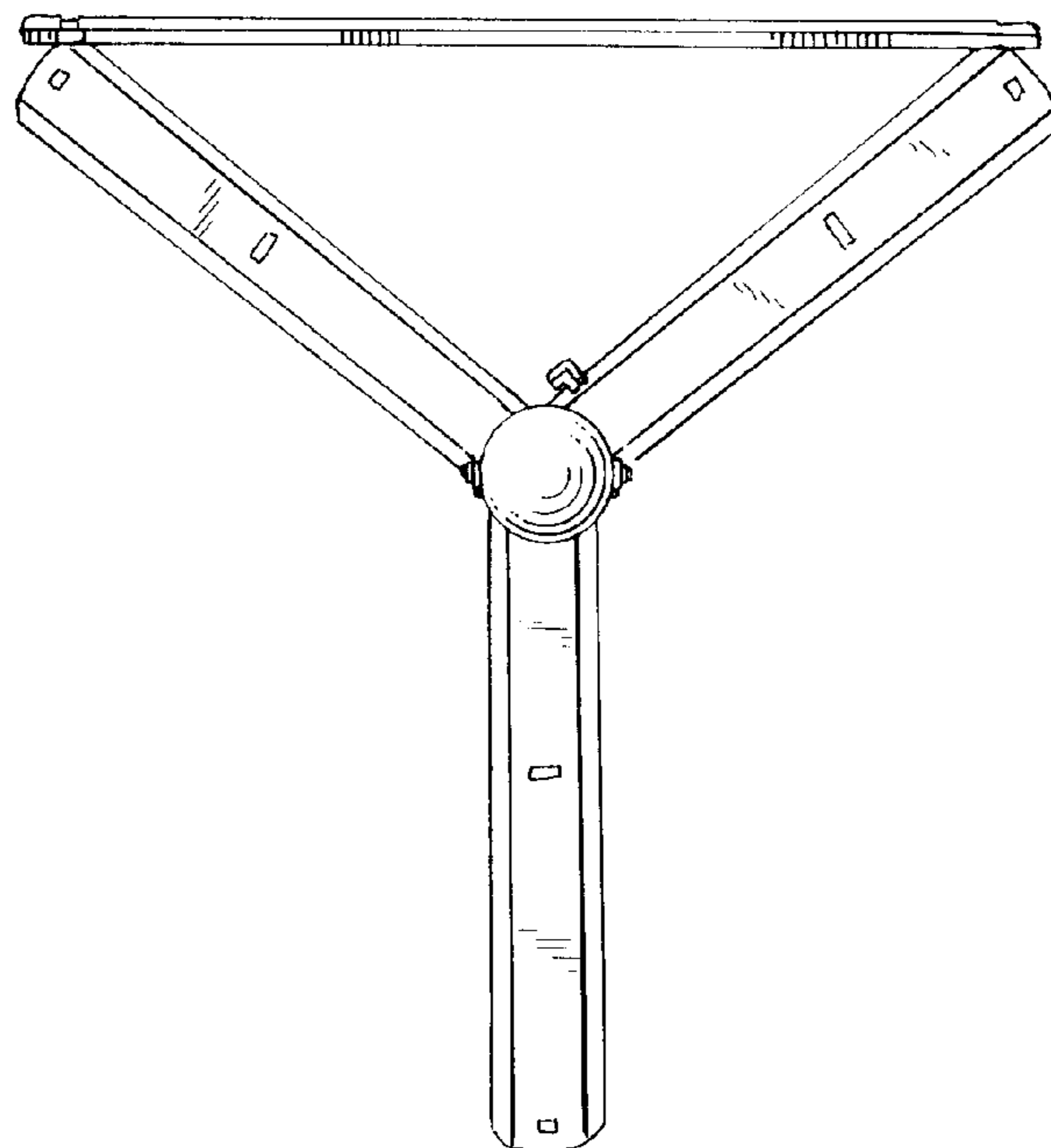


FIG. 5



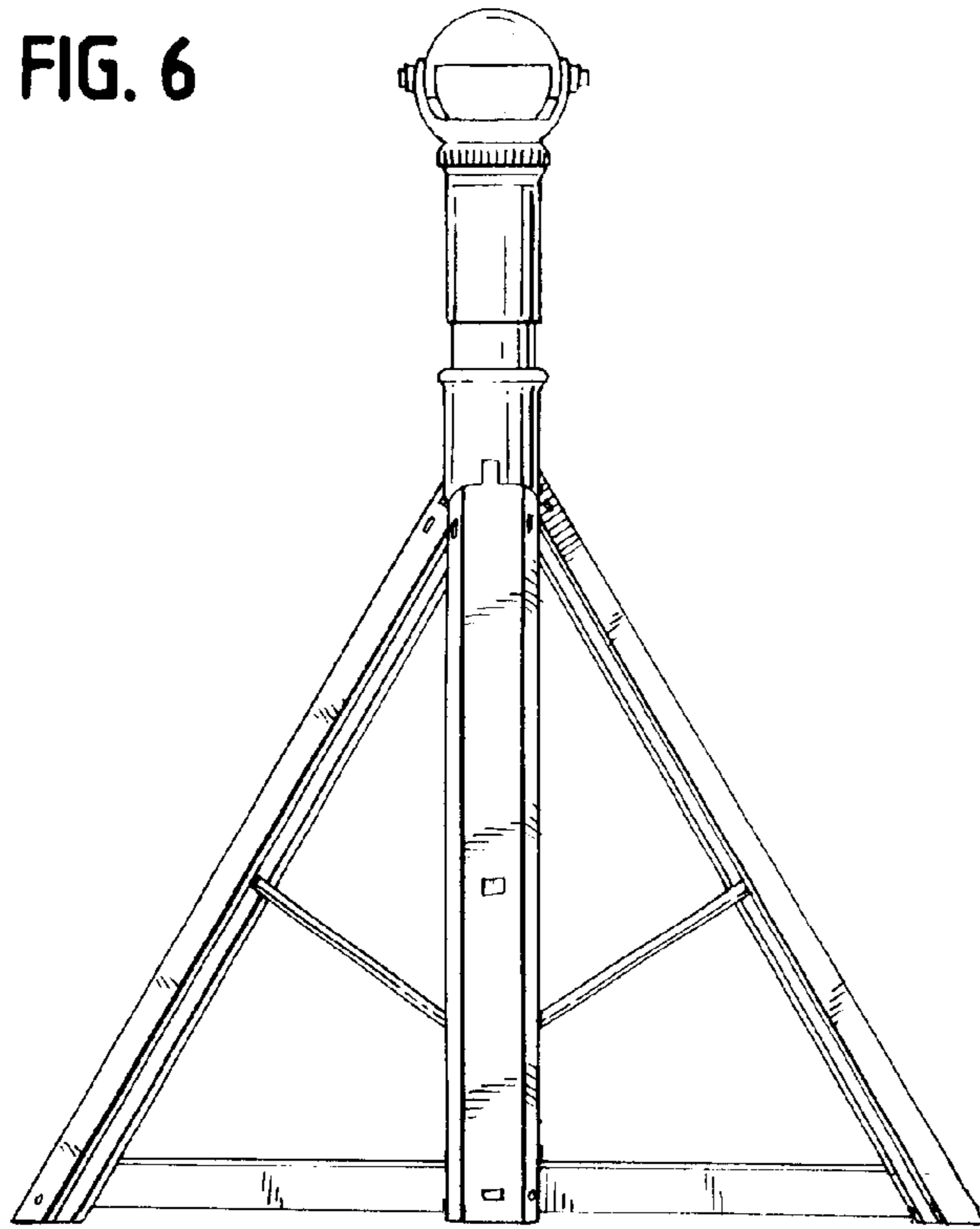


FIG. 8

