



US00D514007S

(12) **United States Design Patent**  
**Buchanan**

(10) **Patent No.:** **US D514,007 S**  
(45) **Date of Patent:** **\*\* Jan. 31, 2006**

- (54) **PRESSURE GAUGE**
- (75) Inventor: **Steven O. Buchanan**, Rolling Prairie, IN (US)
- (73) Assignee: **Dwyer Instruments, Inc.**, Michigan City, IN (US)
- (\*\*) Term: **14 Years**
- (21) Appl. No.: **29/210,235**
- (22) Filed: **Jul. 29, 2004**
- (51) **LOC (8) Cl.** ..... **10-04**
- (52) **U.S. Cl.** ..... **D10/99; D10/85**
- (58) **Field of Classification Search** ..... **D10/85, D10/99; 73/715-722, 431; 200/83, 83 B, 200/83 C, 83 L; 324/110-116, 119**  
See application file for complete search history.

- D316,975 S 5/1991 Brown
- D316,982 S 5/1991 Hestich
- D348,018 S 6/1994 Poleshuk et al.
- 6,089,098 A \* 7/2000 Tylisz et al. .... 73/722
- D429,655 S 8/2000 Cowan et al.
- D488,735 S \* 4/2004 Palmer et al. .... D10/99

\* cited by examiner

*Primary Examiner*—Antoine D. Davis  
(74) *Attorney, Agent, or Firm*—Barnes & Thornburg LLP

(57) **CLAIM**

The ornamental design for a pressure gauge, as shown and described.

**DESCRIPTION**

FIG. 1 is a perspective view of the pressure gauge; FIG. 2 is a front elevational view of the pressure gauge; FIG. 3 is a rear elevational view of the pressure gauge; FIG. 4 is a right side elevational view of the pressure gauge; FIG. 5 is a left side elevational view of the pressure gauge; FIG. 6 is a bottom view of the pressure gauge; and, FIG. 7 is a top plan view of the pressure gauge. The broken line showing is for illustrative purposes only and forms no part of the claimed design.

**1 Claim, 3 Drawing Sheets**

(56) **References Cited**

**U.S. PATENT DOCUMENTS**

- 3,645,140 A 2/1972 Phillips et al.
- 4,030,365 A 6/1977 Phillips et al.
- 4,347,744 A \* 9/1982 Buchanan ..... 73/715
- D301,018 S 5/1989 Hestich

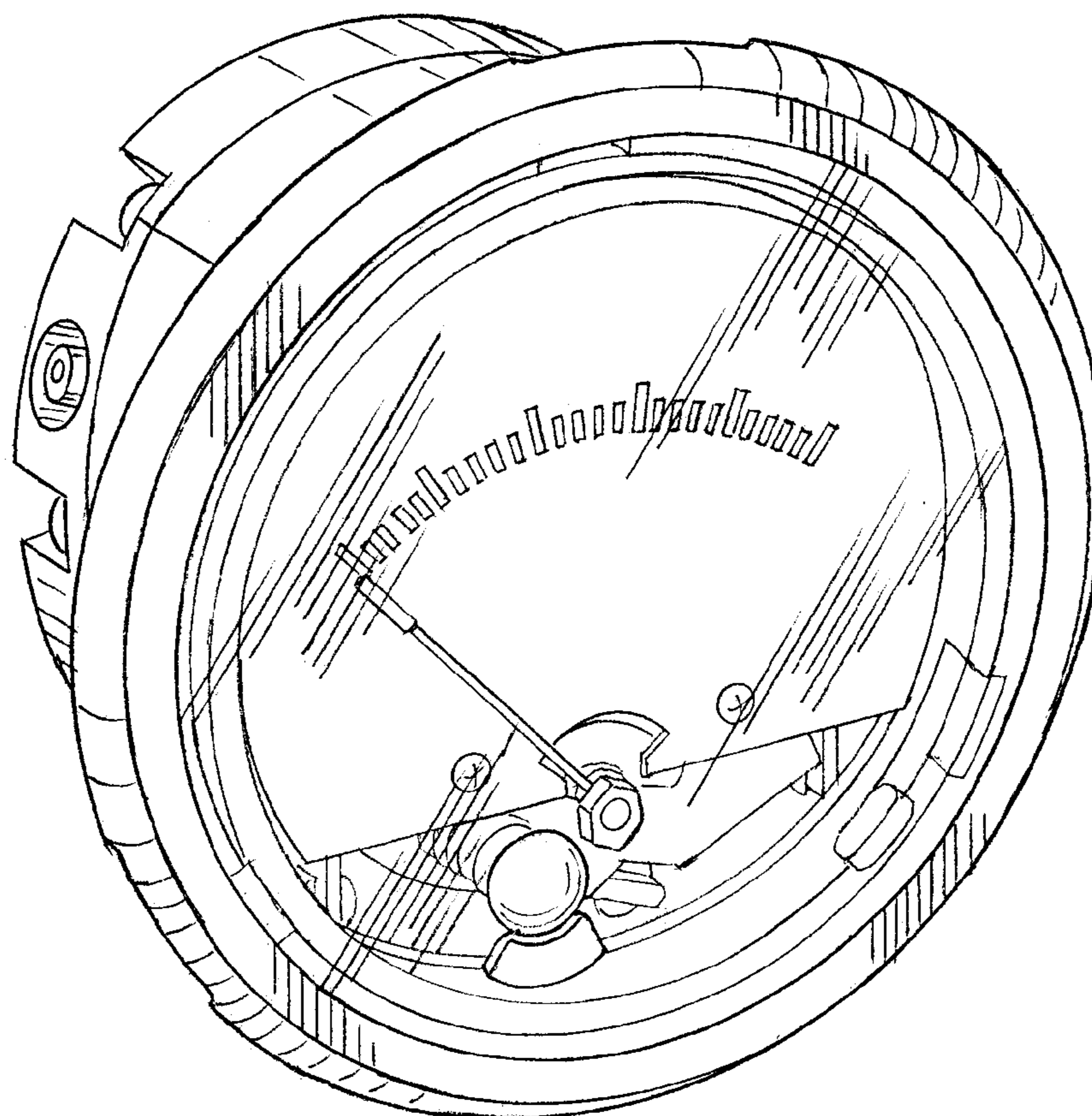


FIG. 1

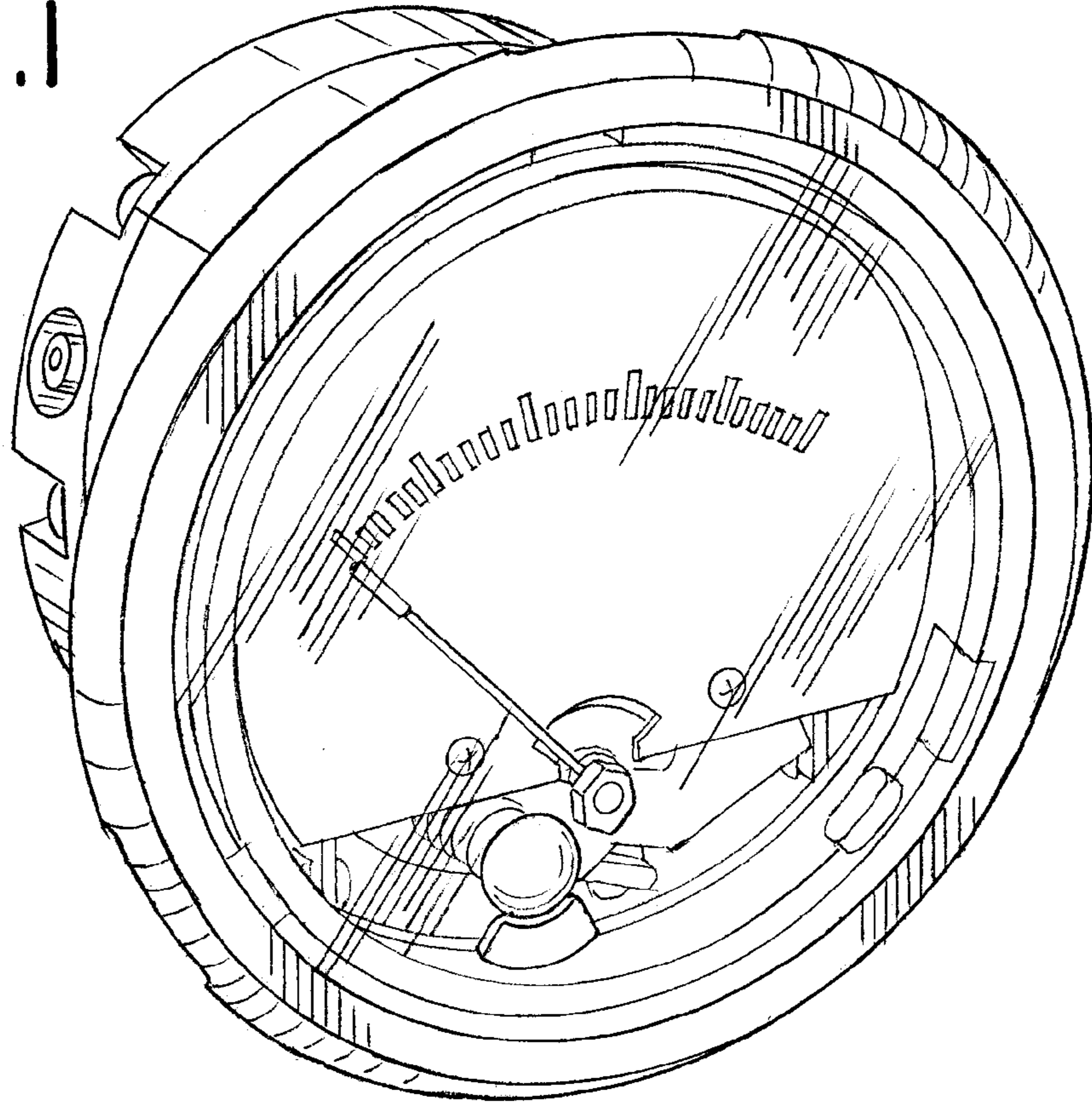


FIG. 2

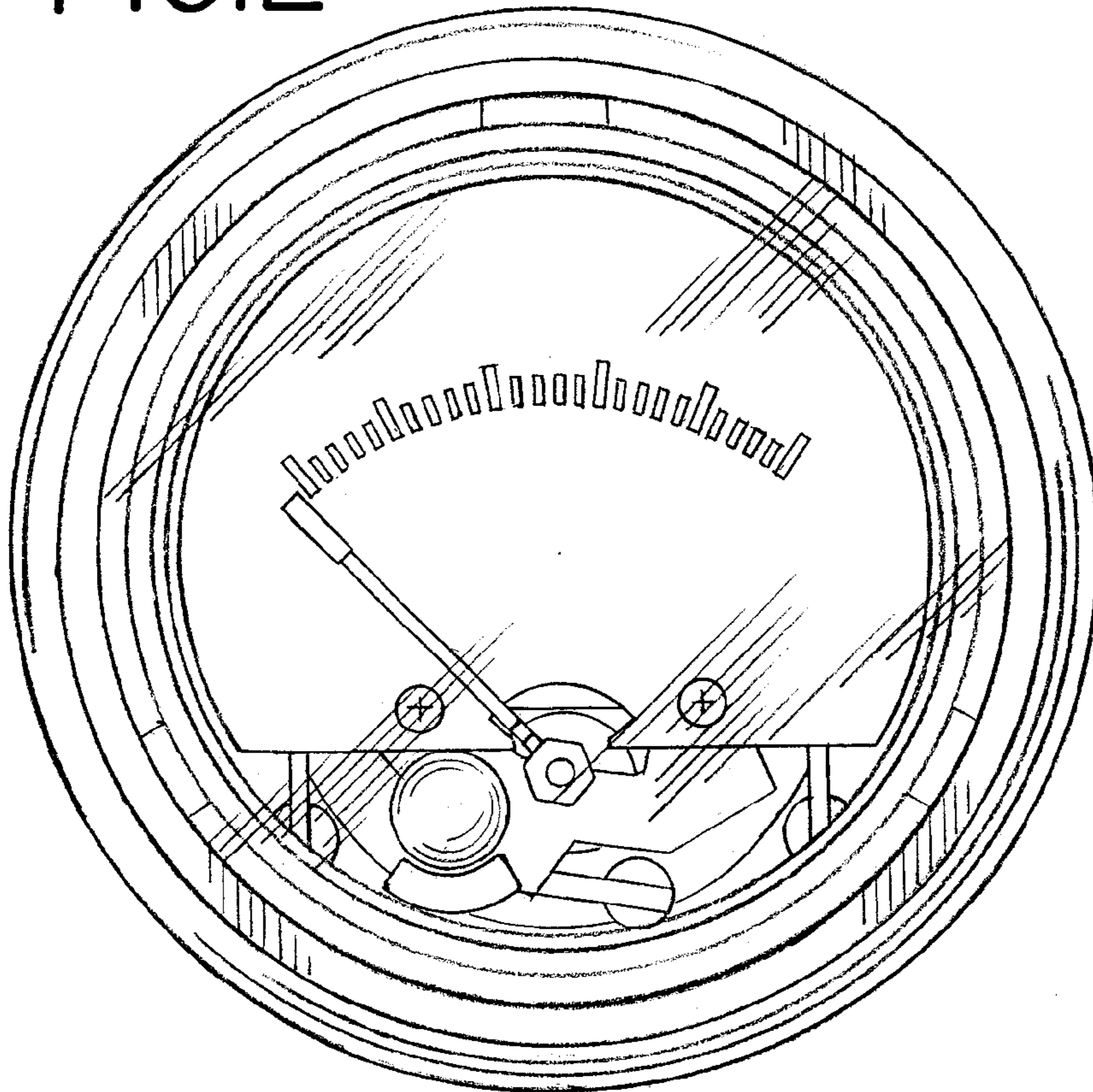


FIG.3

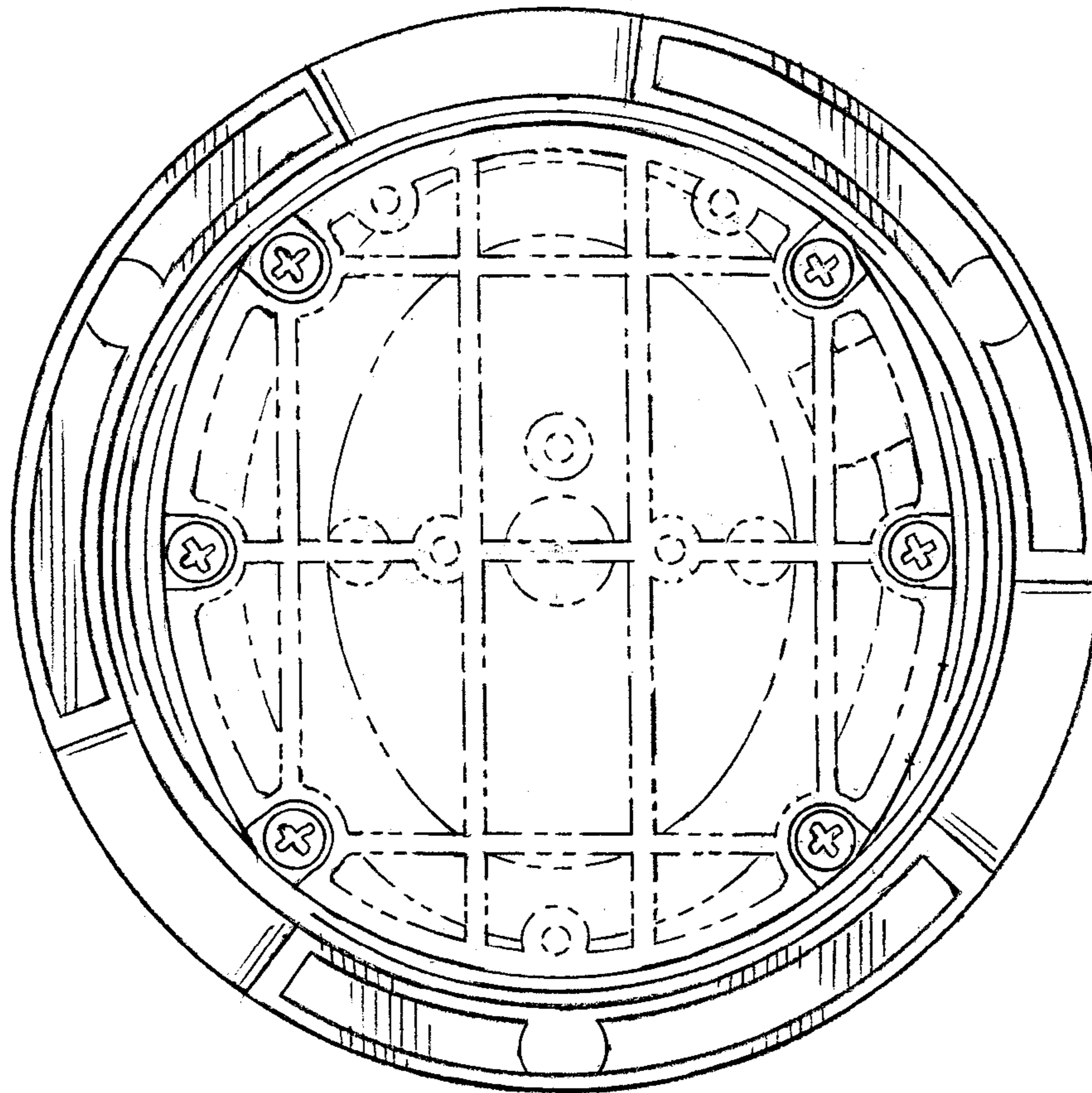


FIG.4

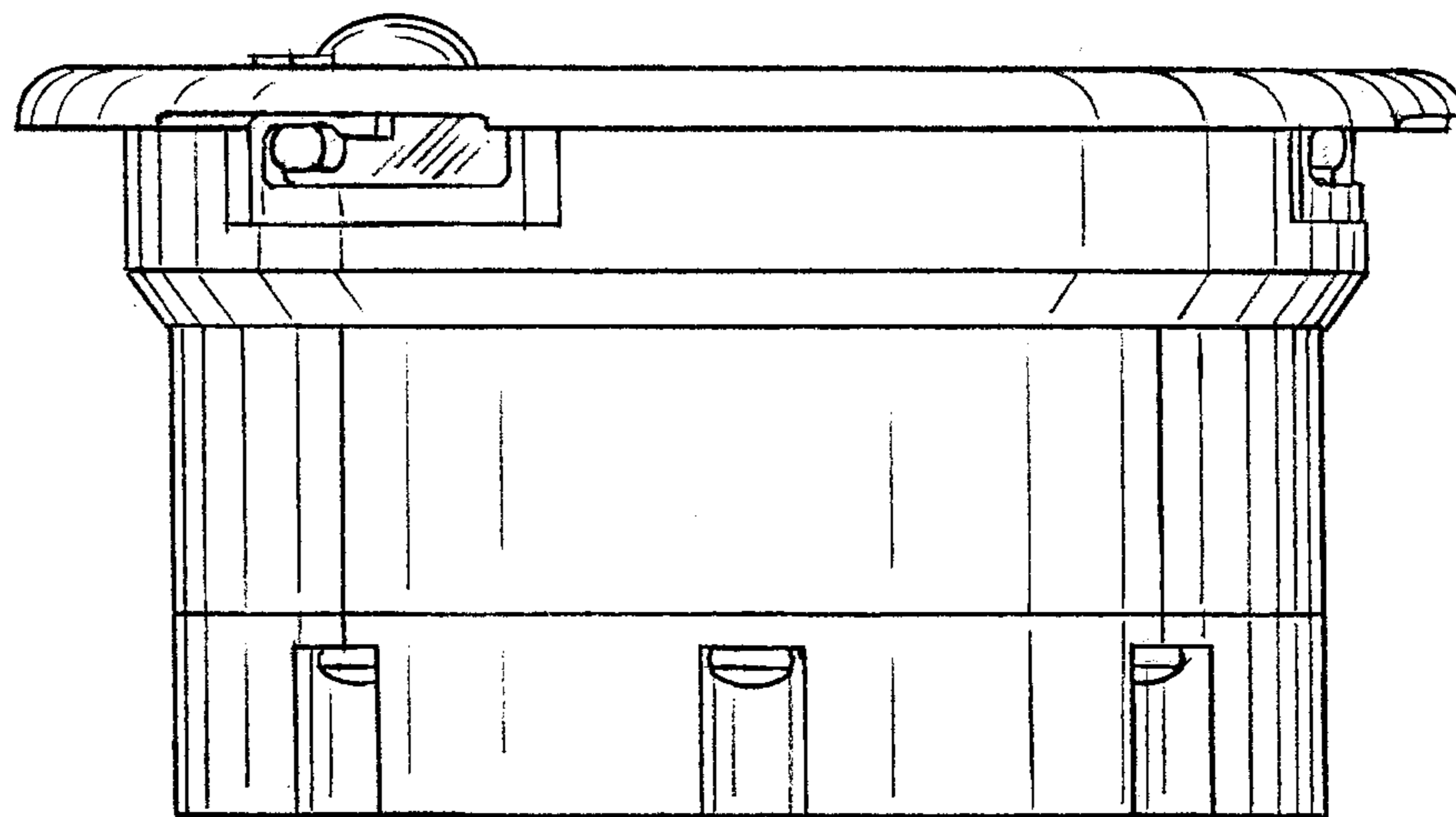


FIG.5

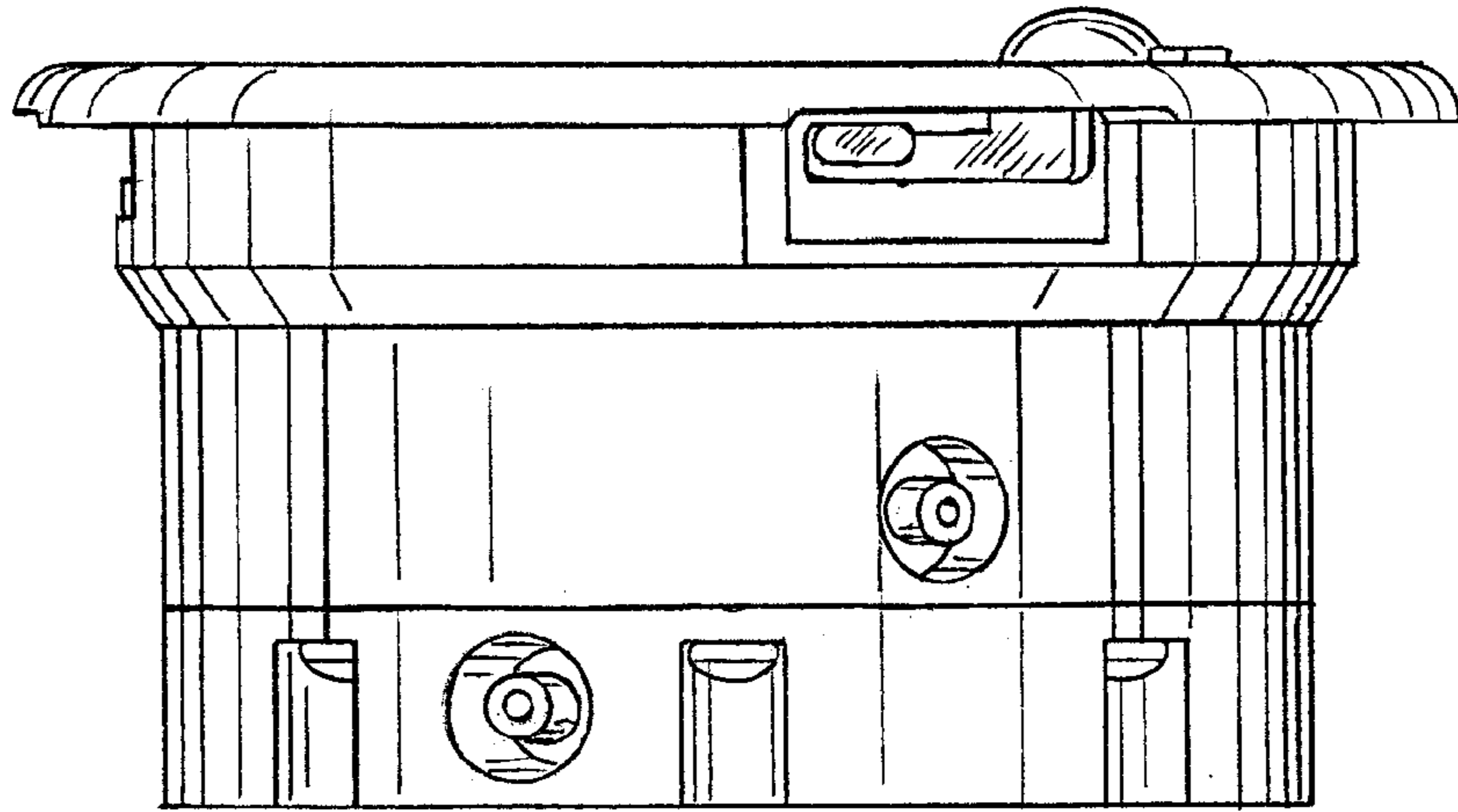


FIG.6

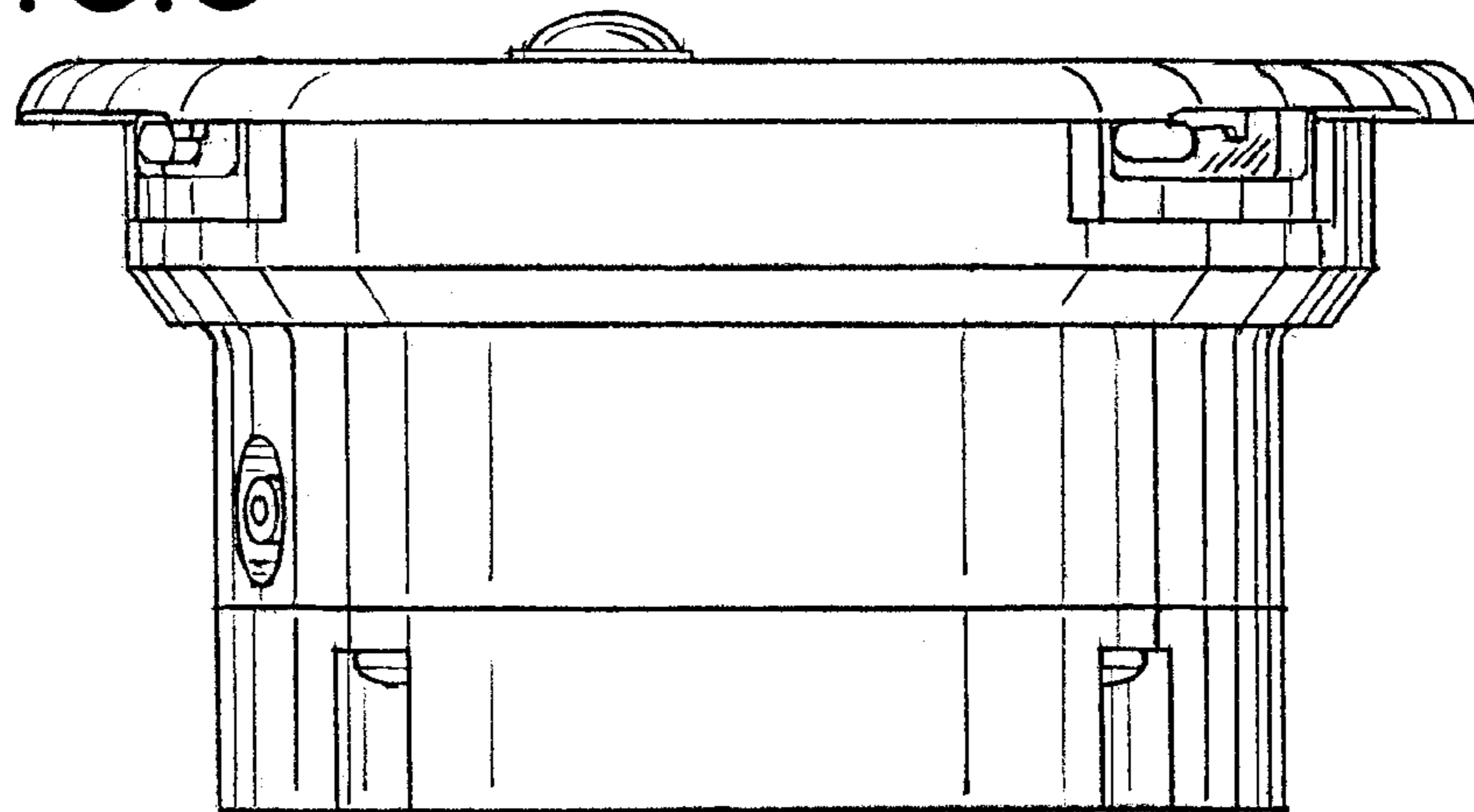


FIG.7

