



US00D514004S

(12) **United States Design Patent**
Wrisley

(10) **Patent No.:** **US D514,004 S**

(45) **Date of Patent:** **** *Jan. 31, 2006**

(54) **WAVEFORM GENERATOR**

(75) Inventor: **Jerry L. Wrisley**, Beaverton, OR (US)

(73) Assignee: **Tektronix, Inc.**, Beaverton, OR (US)

(*) Notice: This patent is subject to a terminal disclaimer.

(**) Term: **14 Years**

(21) Appl. No.: **29/204,633**

(22) Filed: **Apr. 30, 2004**

(51) **LOC (8) Cl.** **10-04**

(52) **U.S. Cl.** **D10/76**

(58) **Field of Classification Search** D10/76;
324/102, 112, 121 R; 340/734, 747, 798;
354/487

See application file for complete search history.

(56) **References Cited**

U.S. PATENT DOCUMENTS

D413,823 S	9/1999	Dobyns et al.	
D420,607 S	2/2000	Wrisley et al.	
D460,371 S	7/2002	Wrisley et al.	
D460,703 S	7/2002	Wrisley et al.	
6,437,552 B1 *	8/2002	Sekel et al.	324/121 R
D472,171 S	3/2003	Wrisley et al.	
D499,658 S *	12/2004	Wrisley	D10/76
D500,695 S *	1/2005	Wrisley et al.	D10/76
D500,957 S *	1/2005	Wrisley	D10/76

6,856,127 B1 * 2/2005 Ramesh et al. 324/102

* cited by examiner

Primary Examiner—Antoine D. Davis

(74) *Attorney, Agent, or Firm*—William K. Bucher

(57) **CLAIM**

The ornamental design of a waveform generator, as shown and described.

DESCRIPTION

The ornamental design disclosed in this application is for a waveform generator. The waveform generator has a substantially rectangular front face with a substantially rectangular display disposed in a portion thereof, side surfaces having curved top edges, a top surface having curves surfaces adjacent to the curved top edges of the side surfaces that transition to a substantially flat surface extending from the front face to the rear, and control knobs, buttons and electrical connectors arranged on the front face adjacent to the rectangular display.

FIG. 1 is a perspective view of a waveform generator;

FIG. 2 is a front elevation view of the waveform generator;

FIG. 3 is a left side elevation view of the waveform generator;

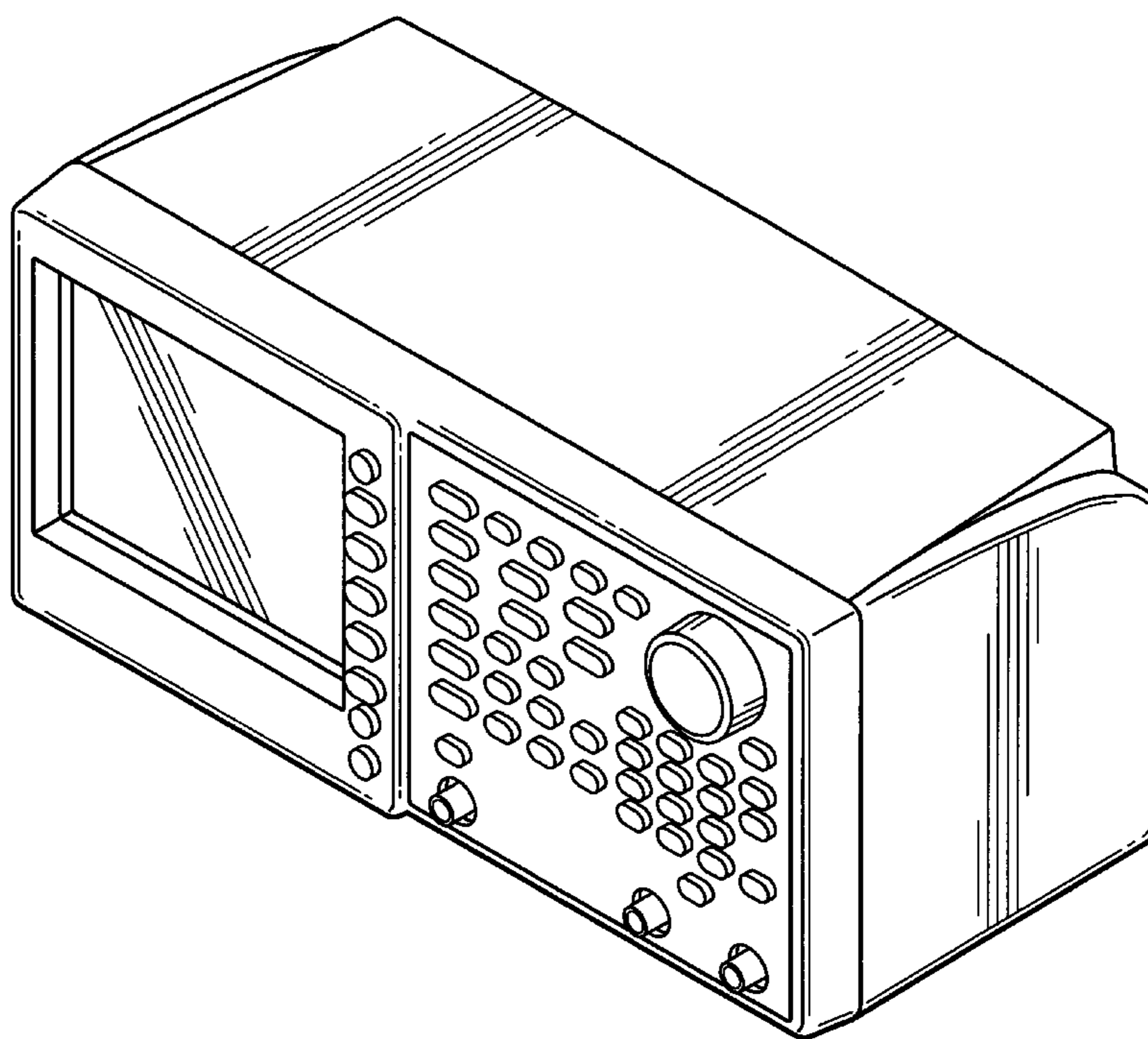
FIG. 4 is a right side elevation view of the waveform generator;

FIG. 5 is a top plan view of the waveform generator;

FIG. 6 is a bottom plan view of the waveform generator; and,

FIG. 7 is a rear elevation view of the waveform generator.

1 Claim, 6 Drawing Sheets



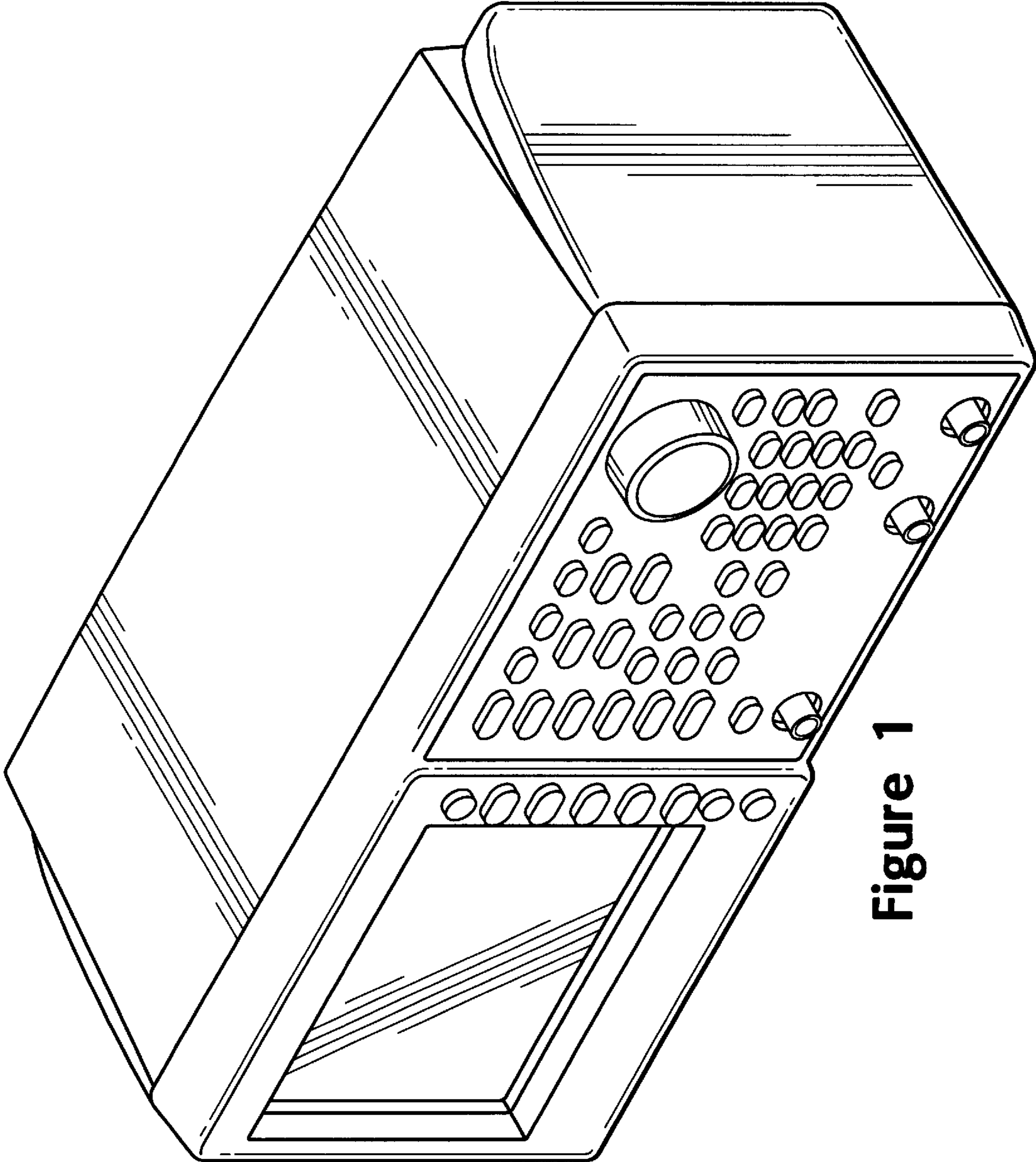


Figure 1

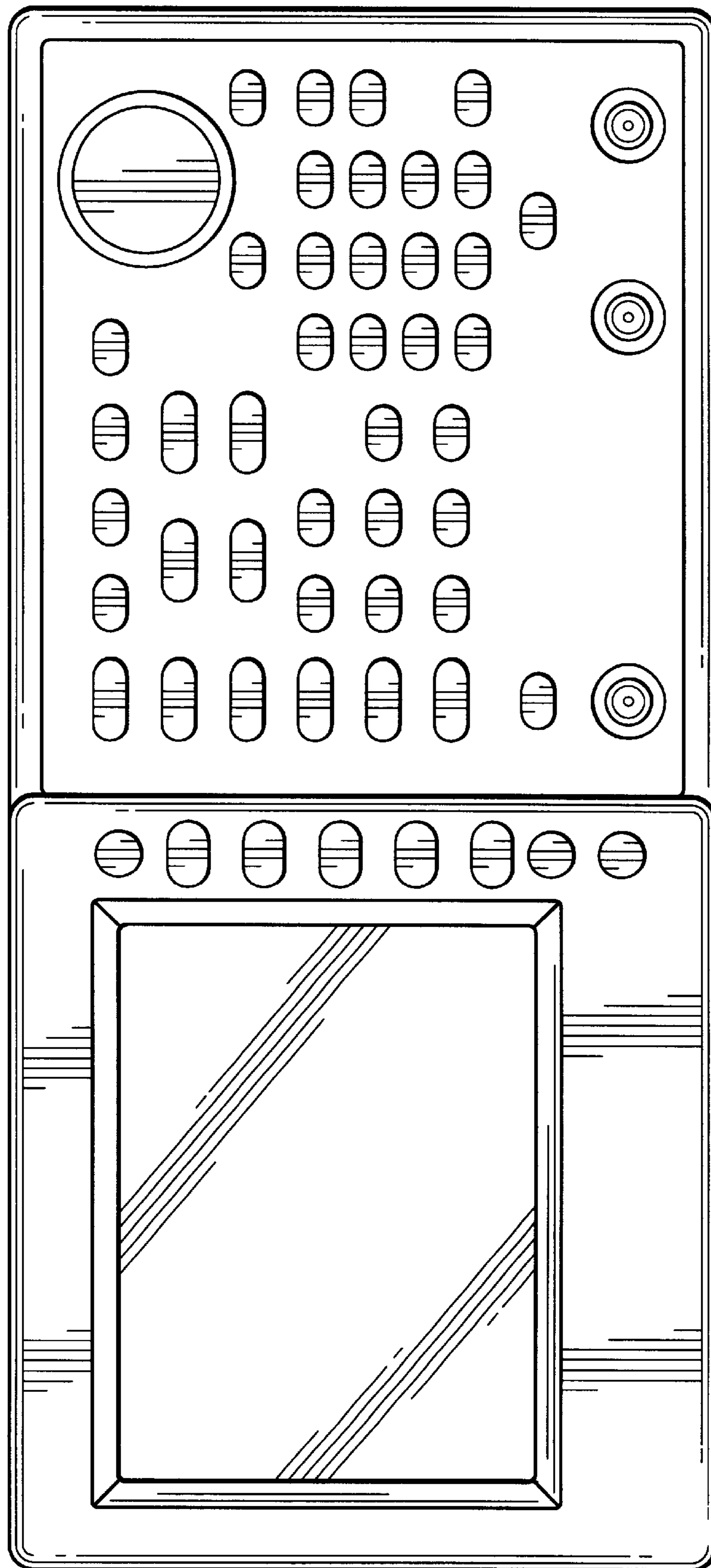


Figure 2

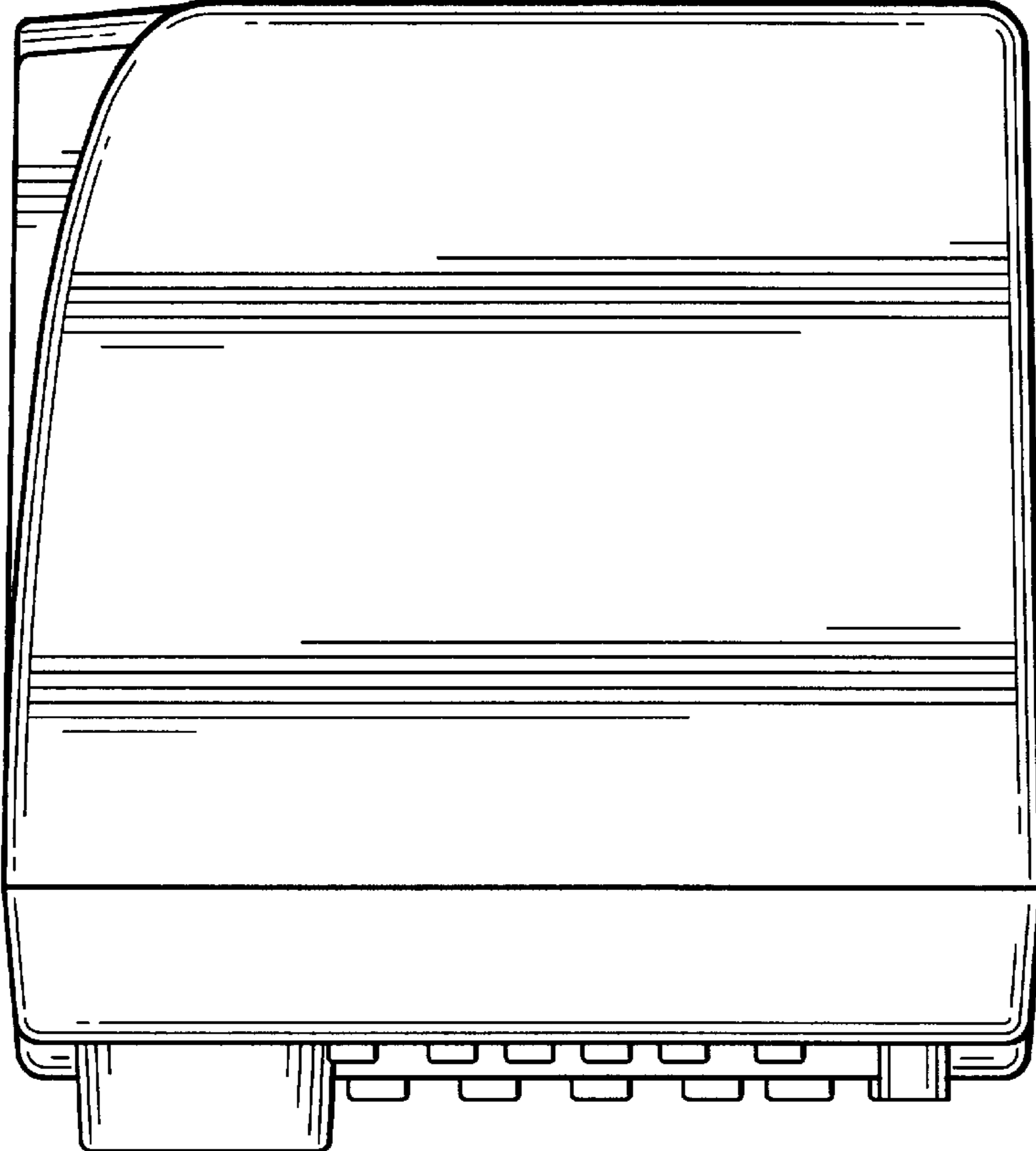


Figure 4

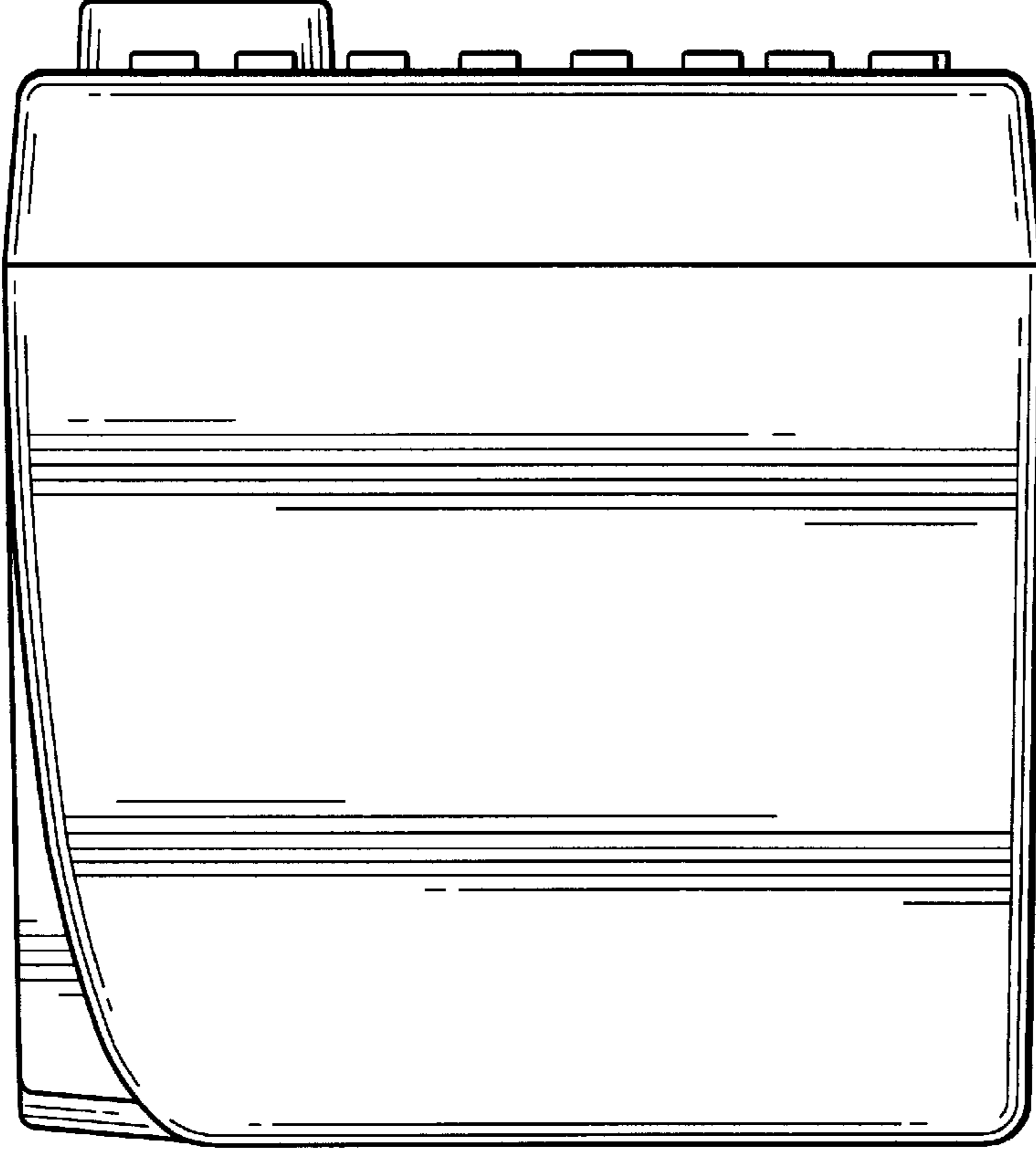


Figure 3

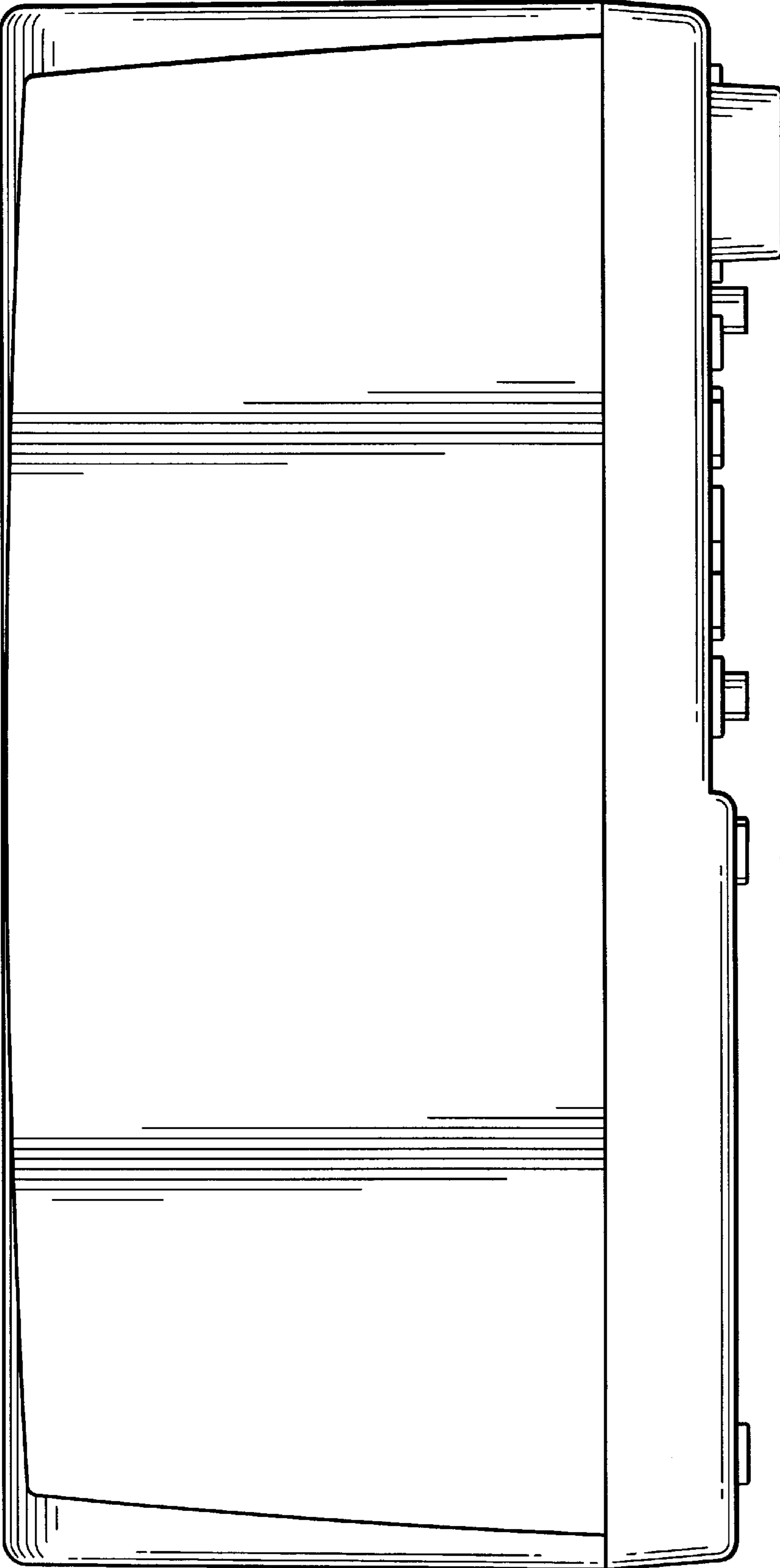


Figure 5

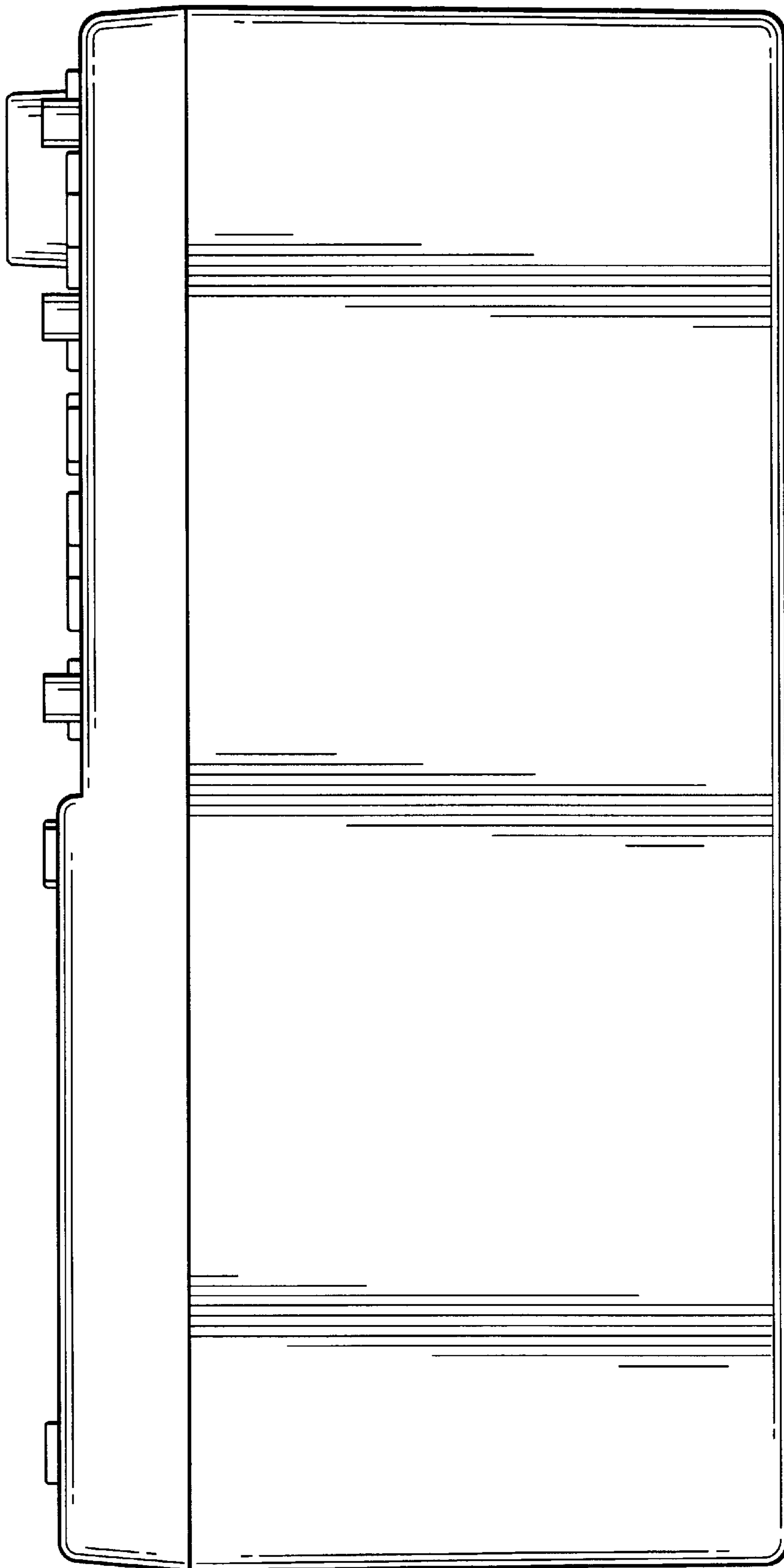


Figure 6

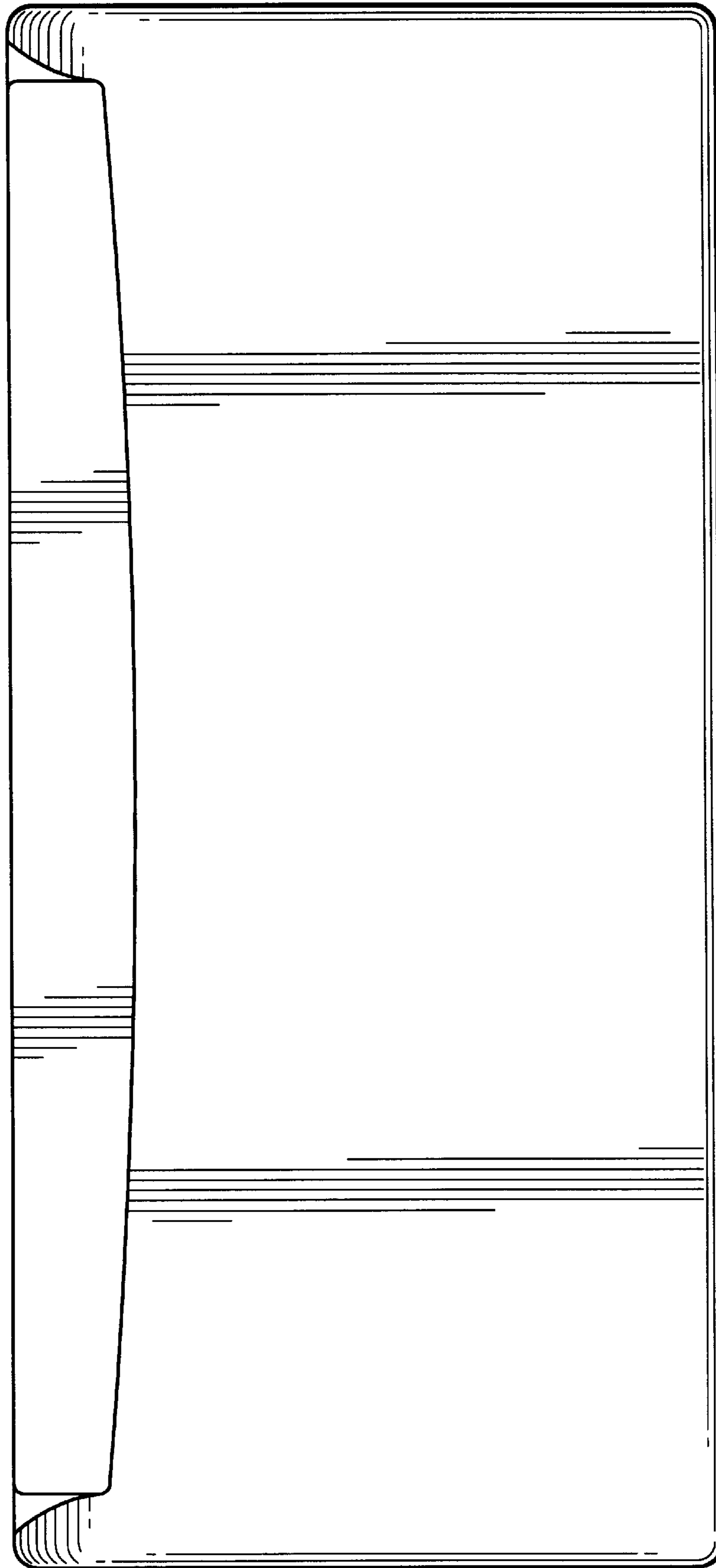


Figure 7