



US00D514002S

(12) **United States Design Patent**
Bhavnani

(10) **Patent No.:** **US D514,002 S**
(45) **Date of Patent:** **** Jan. 31, 2006**

(54) **TIMER**

D311,496 S * 10/1990 Khavari D10/31
D313,758 S * 1/1991 Klose D10/31
D313,759 S * 1/1991 Nomizu D10/31

(75) Inventor: **Dilip Bhavnani**, Beverly Hills, CA
(US)

OTHER PUBLICATIONS

(73) Assignee: **Sun Coast Merchandise Corp.**,
Commerce, CA (US)

Hong Kong Enterprise, Jun., 1994, p. 349, timer with spring
clip, item #T512W.*

(**) Term: **14 Years**

* cited by examiner

(21) Appl. No.: **29/220,448**

Primary Examiner—Lucy Lieberman

(22) Filed: **Dec. 29, 2004**

(74) *Attorney, Agent, or Firm*—Brian M. Carpenter

(51) **LOC (8) Cl.** **10-03**

(52) **U.S. Cl.** **D10/40**

(58) **Field of Classification Search** D10/40,
D10/41, 2, 30, 31, 97; 368/97-123, 10; D8/395
See application file for complete search history.

(57) **CLAIM**

The ornamental design for a timer, as shown and described.

(56) **References Cited**

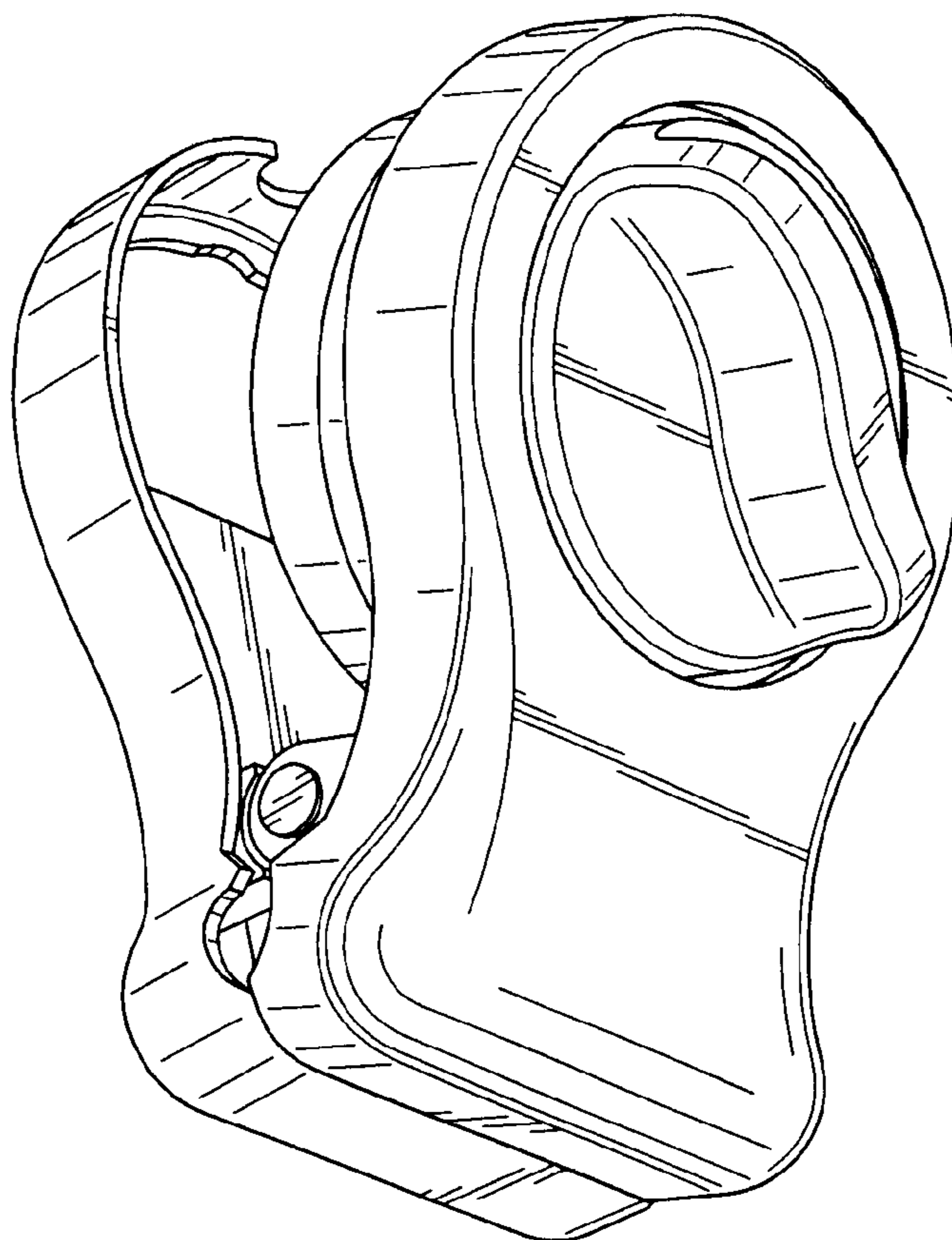
DESCRIPTION

U.S. PATENT DOCUMENTS

2,778,418 A * 1/1957 Laviana 74/3.54
D208,999 S * 10/1967 Stagler D10/40
3,501,909 A * 3/1970 Conradt 368/108
3,591,956 A * 7/1971 Draghi 368/100
D292,677 S * 11/1987 Jordi D10/31

FIG. 1 is a bottom, front and left side perspective view of a
timer showing my new design;
FIG. 2 is a front elevation view of the timer of FIG. 1;
FIG. 3 is a left side elevation view of the timer of FIG. 1;
FIG. 4 is a right side elevation view of the timer of FIG. 1;
FIG. 5 is a top plan view of the timer of FIG. 1;
FIG. 6 is a bottom plan view of the timer of FIG. 1; and,
FIG. 7 is a back elevation view of a timer of FIG. 1.

1 Claim, 3 Drawing Sheets



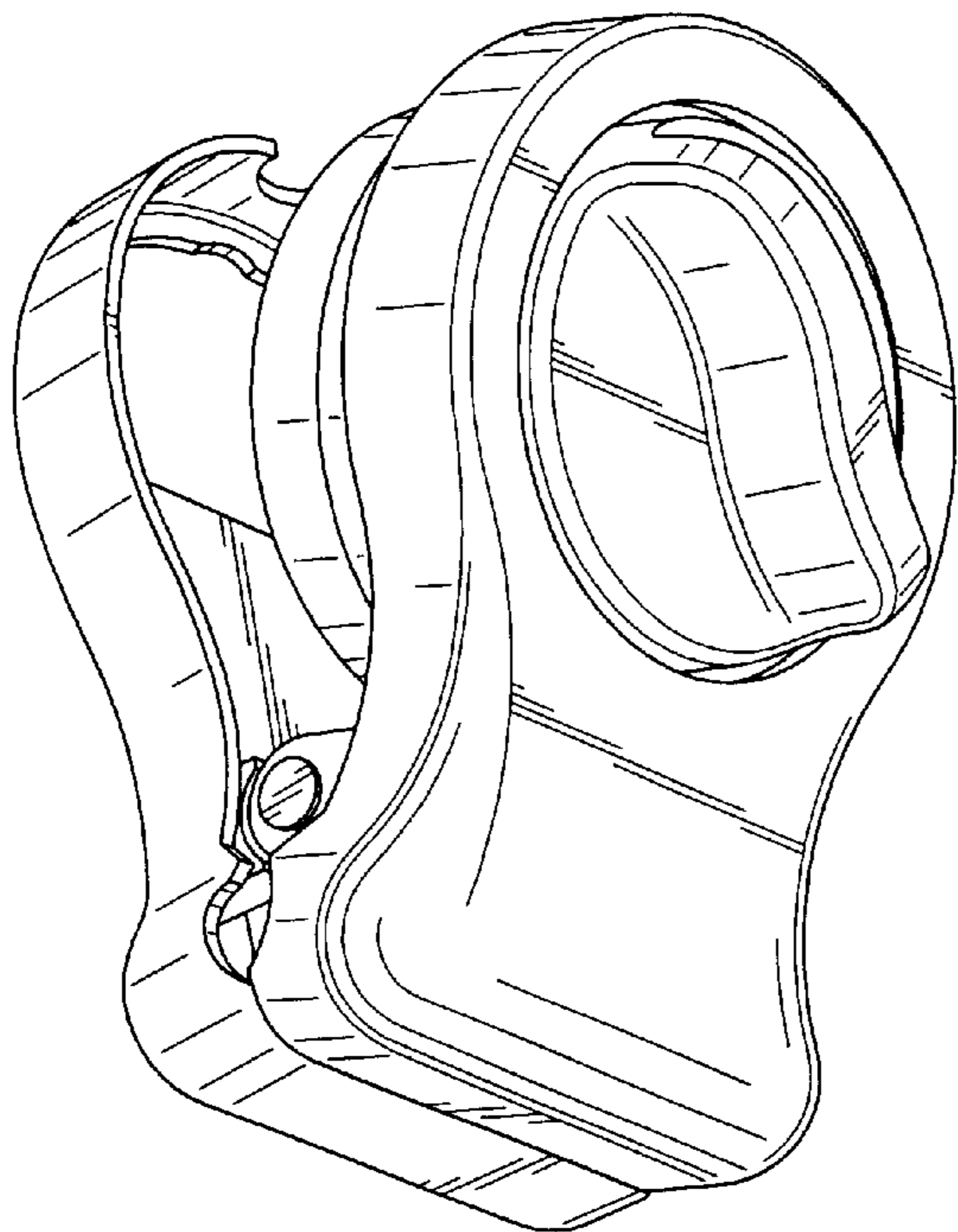


FIG. 1

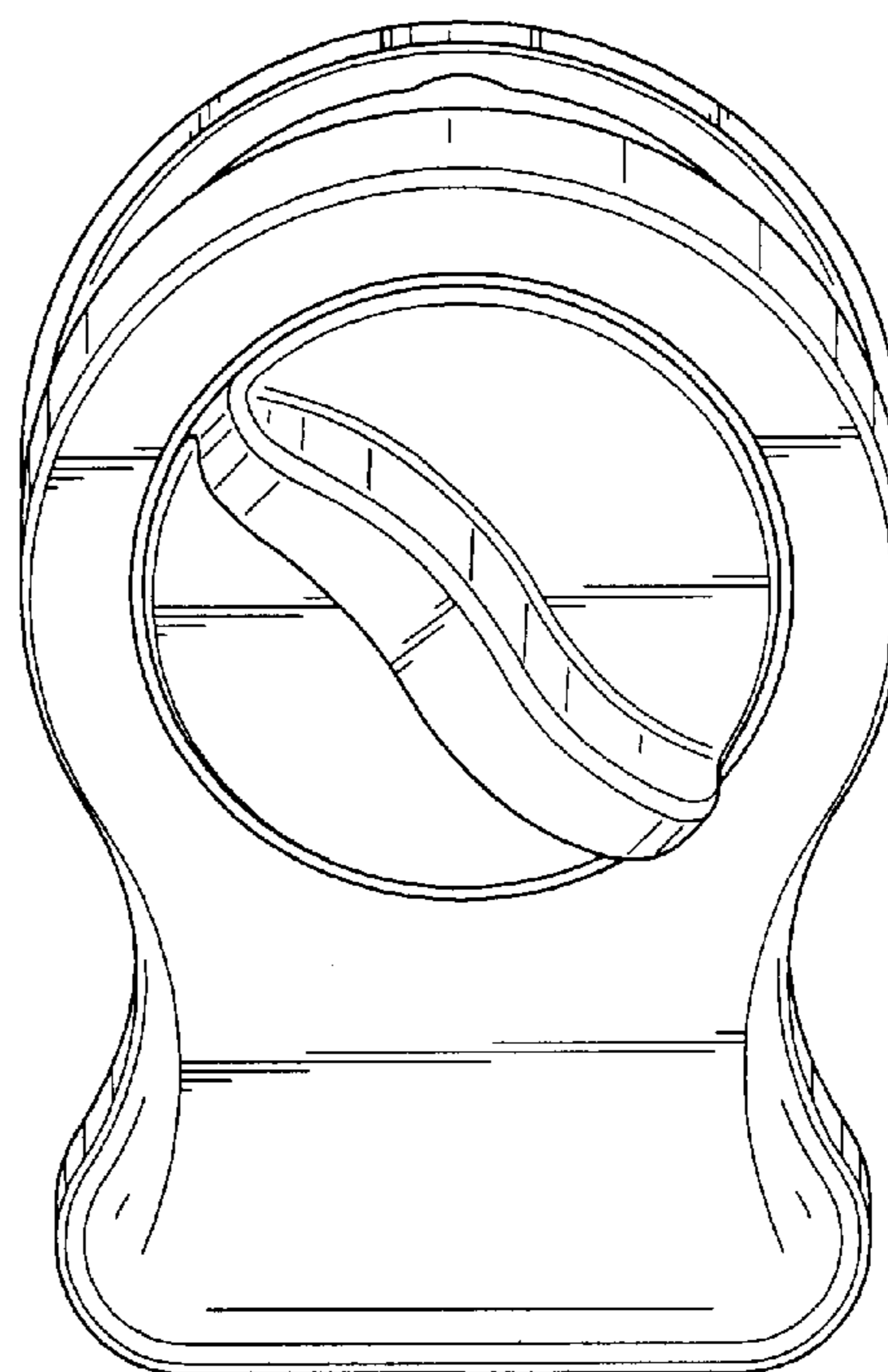


FIG. 2

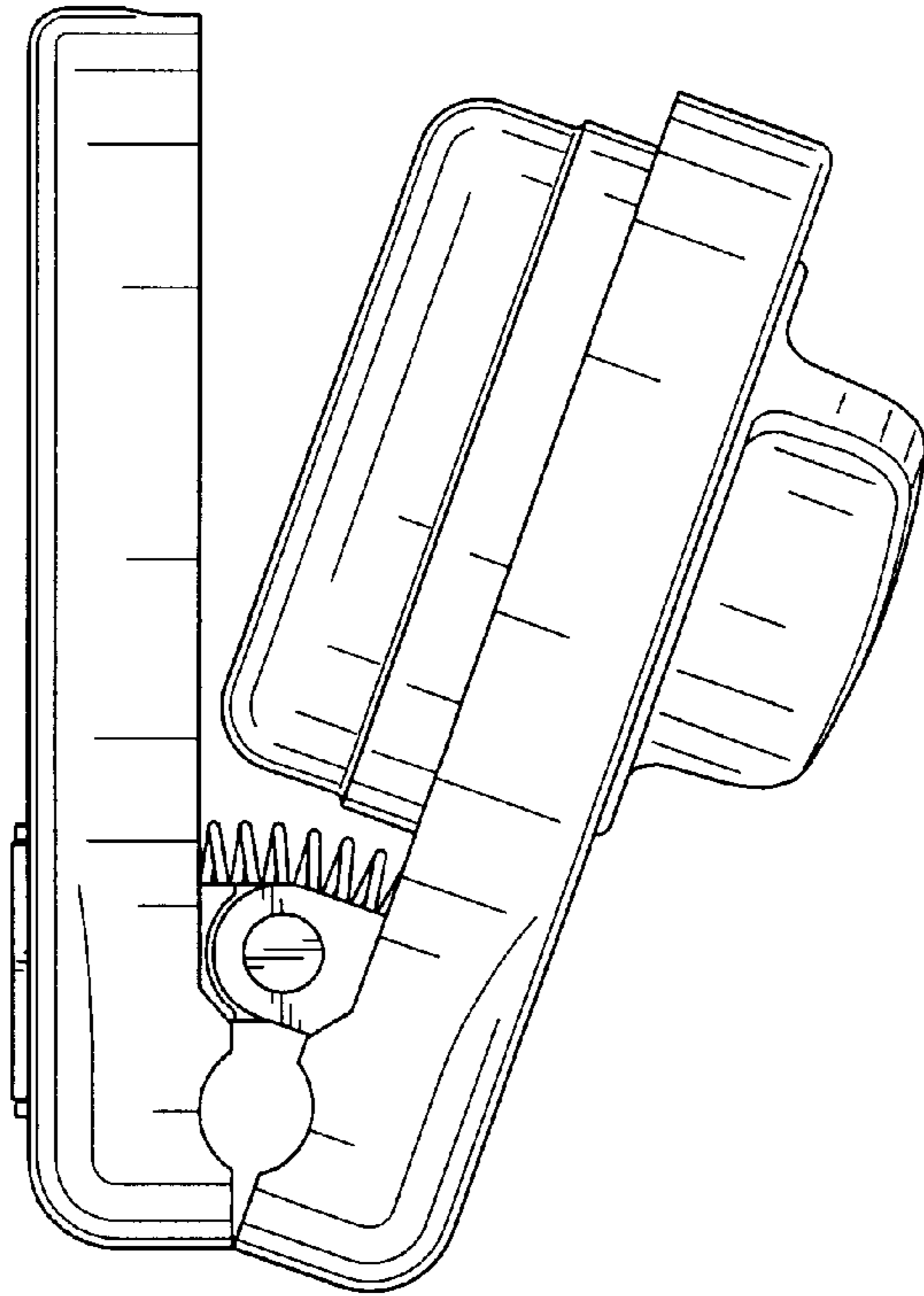


FIG. 3

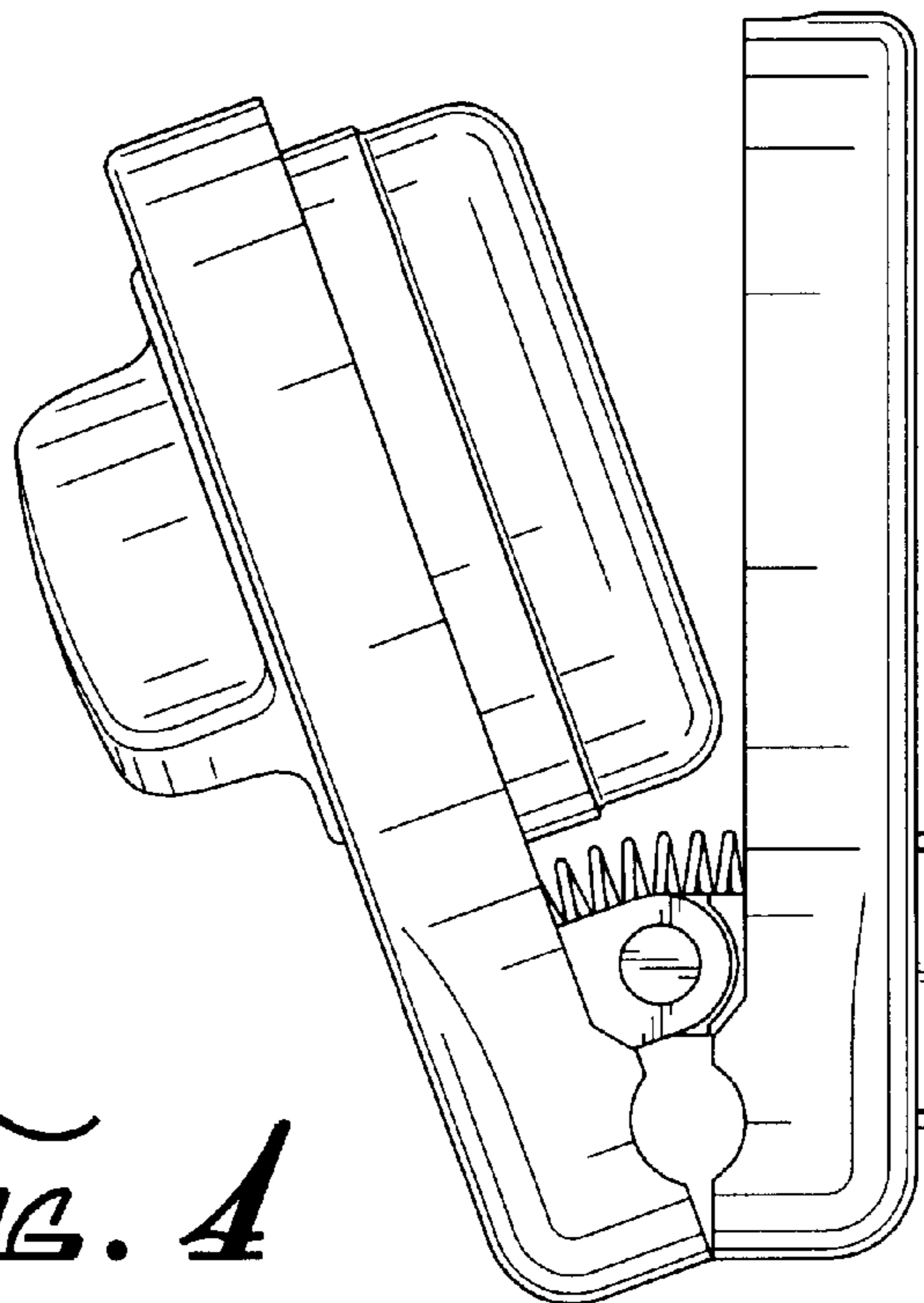


FIG. 4

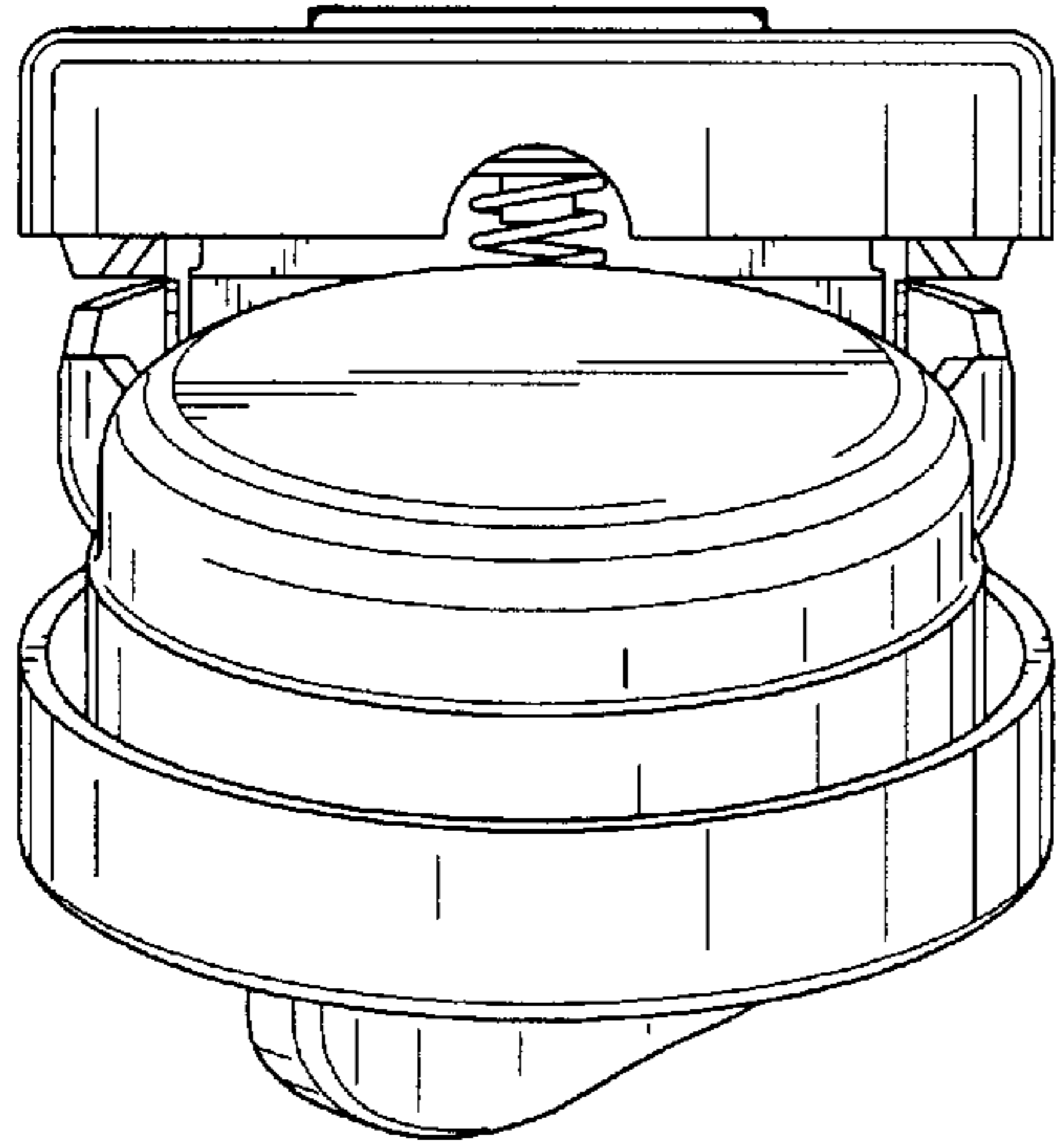


FIG. 5

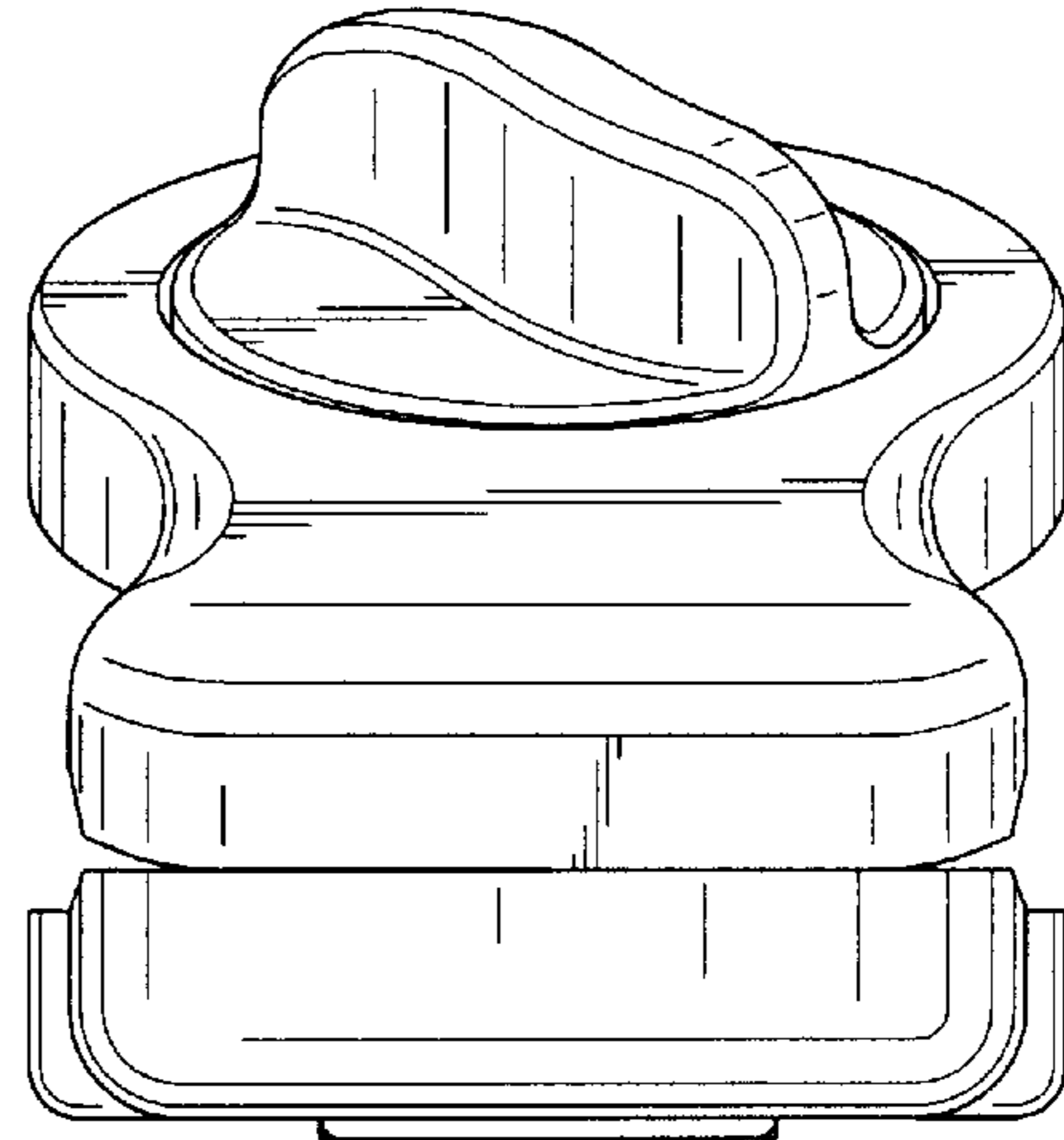


FIG. 6

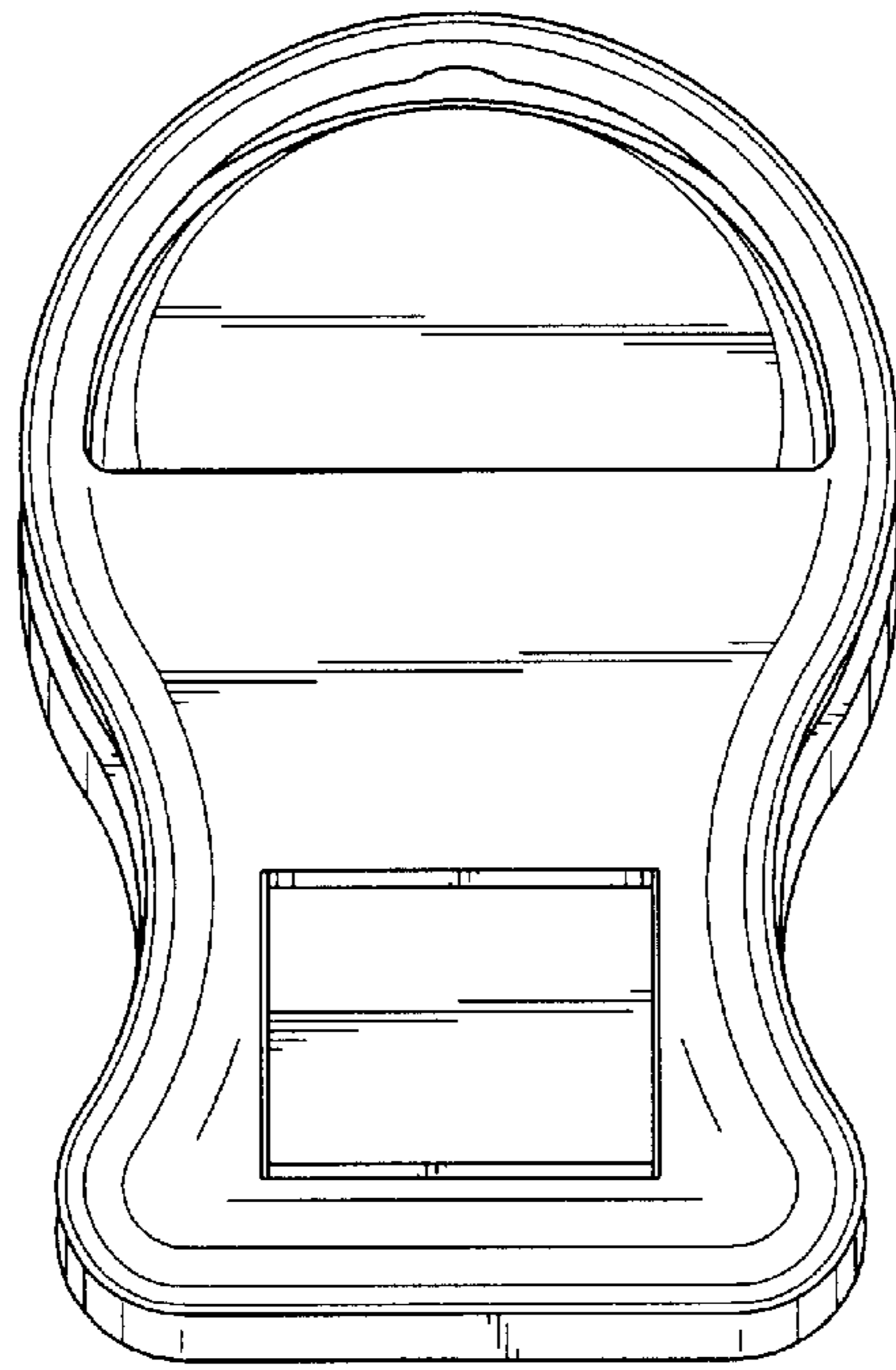


FIG. 7