



US00D513999S

(12) **United States Design Patent**
Echito et al.

(10) **Patent No.: US D513,999 S**
(45) **Date of Patent: ** Jan. 31, 2006**

(54) **TIMER**

(75) Inventors: **Cory Echito**, Mahwah, NJ (US); **Lisa Black**, White Plains, NY (US)

(73) Assignee: **American Tack & Hardware Co., Inc.**, Monsey, NY (US)

(**) Term: **14 Years**

(21) Appl. No.: **29/208,812**

(22) Filed: **Jul. 6, 2004**

(51) **LOC (8) Cl.** **10-03**

(52) **U.S. Cl.** **D10/40**

(58) **Field of Classification Search** D10/40,
D10/41, 1-5, 15, 30, 31, 97; D13/137.1,
D13/137.3; 307/141, 141.4; 368/97-123,
368/276-278, 316, 317, 285, 10; 200/33 R,
200/38 R, 38 DA, 38 D, 38 A, 38 F
See application file for complete search history.

(56) **References Cited**

U.S. PATENT DOCUMENTS

2,633,508 A * 3/1953 Miller 200/38 DA
D216,017 S * 11/1969 Podall D10/40
3,925,629 A * 12/1975 Albinger, Jr. 200/38 R
D246,159 S * 10/1977 Podall D10/40

D288,177 S * 2/1987 Yang D10/40
D291,069 S * 7/1987 Fenne D10/40
D298,418 S * 11/1988 Sund et al. D10/40
D310,063 S * 8/1990 Cheng D13/137.3
D352,667 S * 11/1994 Chen D10/40
D380,396 S * 7/1997 Svarnias et al. D10/40
D406,775 S * 3/1999 Kadono D10/40
6,625,089 B2 * 9/2003 Stekelenburg 368/107

* cited by examiner

Primary Examiner—Lucy Lieberman

(74) *Attorney, Agent, or Firm*—Hedman & Costigan, P.C.

(57) **CLAIM**

The ornamental design for a timer, as shown and described.

DESCRIPTION

FIG. 1 is a top perspective view of a timer according to our design;

FIG. 2 is a top view of our design;

FIG. 3 is a front view of our design;

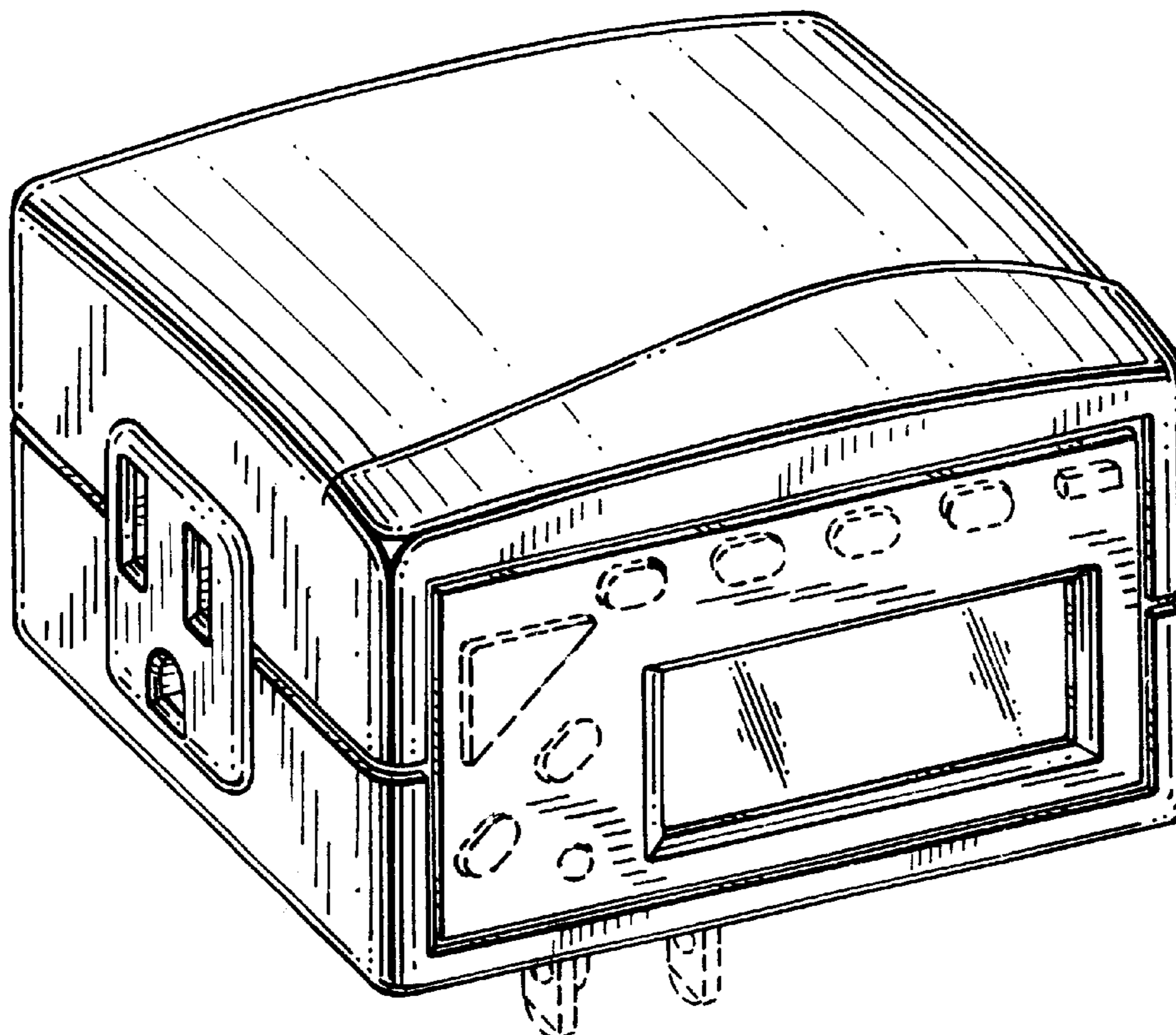
FIG. 4 is a right side view of our design;

FIG. 5 is a left side view of our design; and,

FIG. 6 is a back view of our design.

The broken lines shown in the drawings are for illustrative purposes only and form no part of the claimed design.

1 Claim, 3 Drawing Sheets



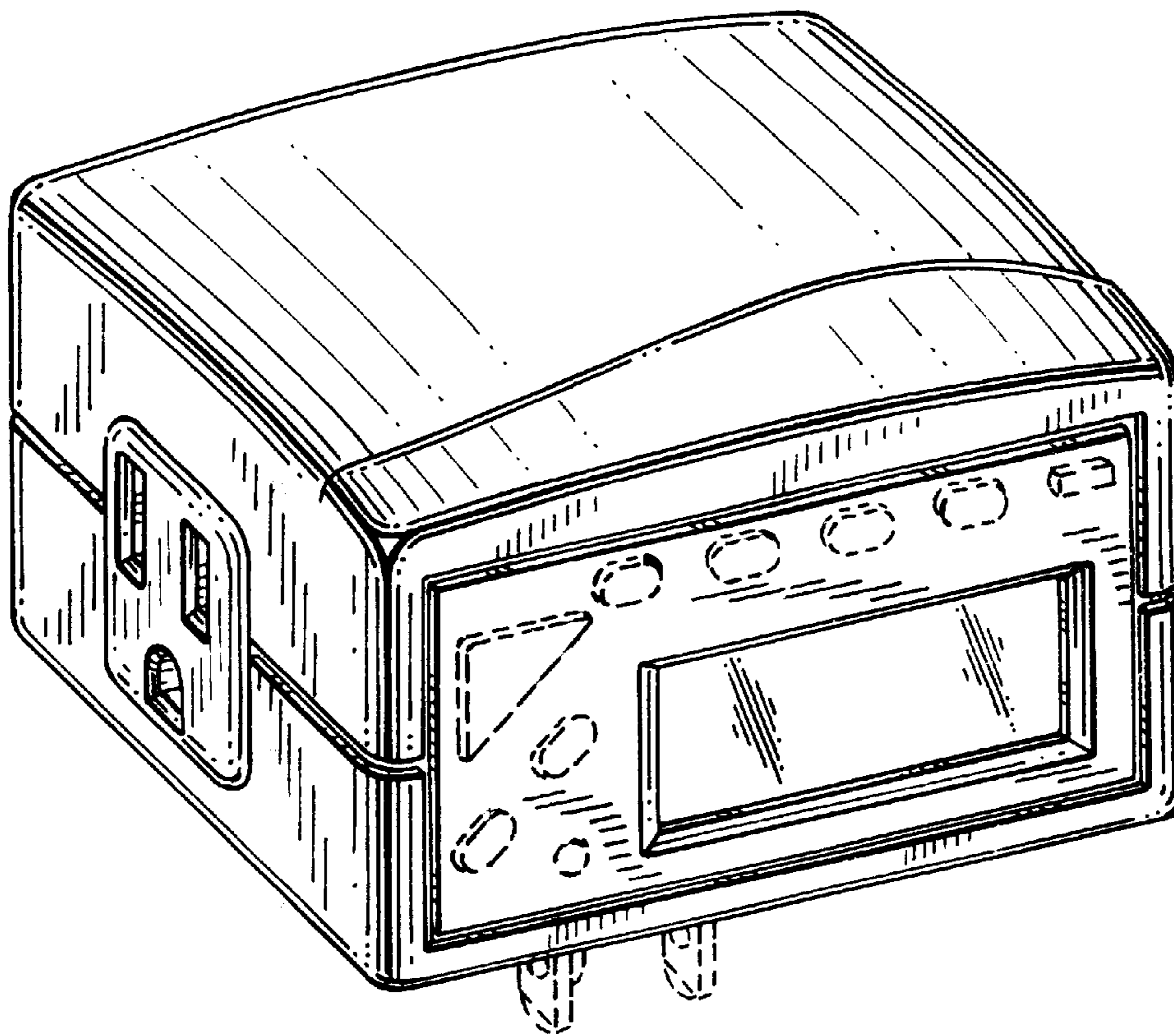


FIG. 1

FIG. 2

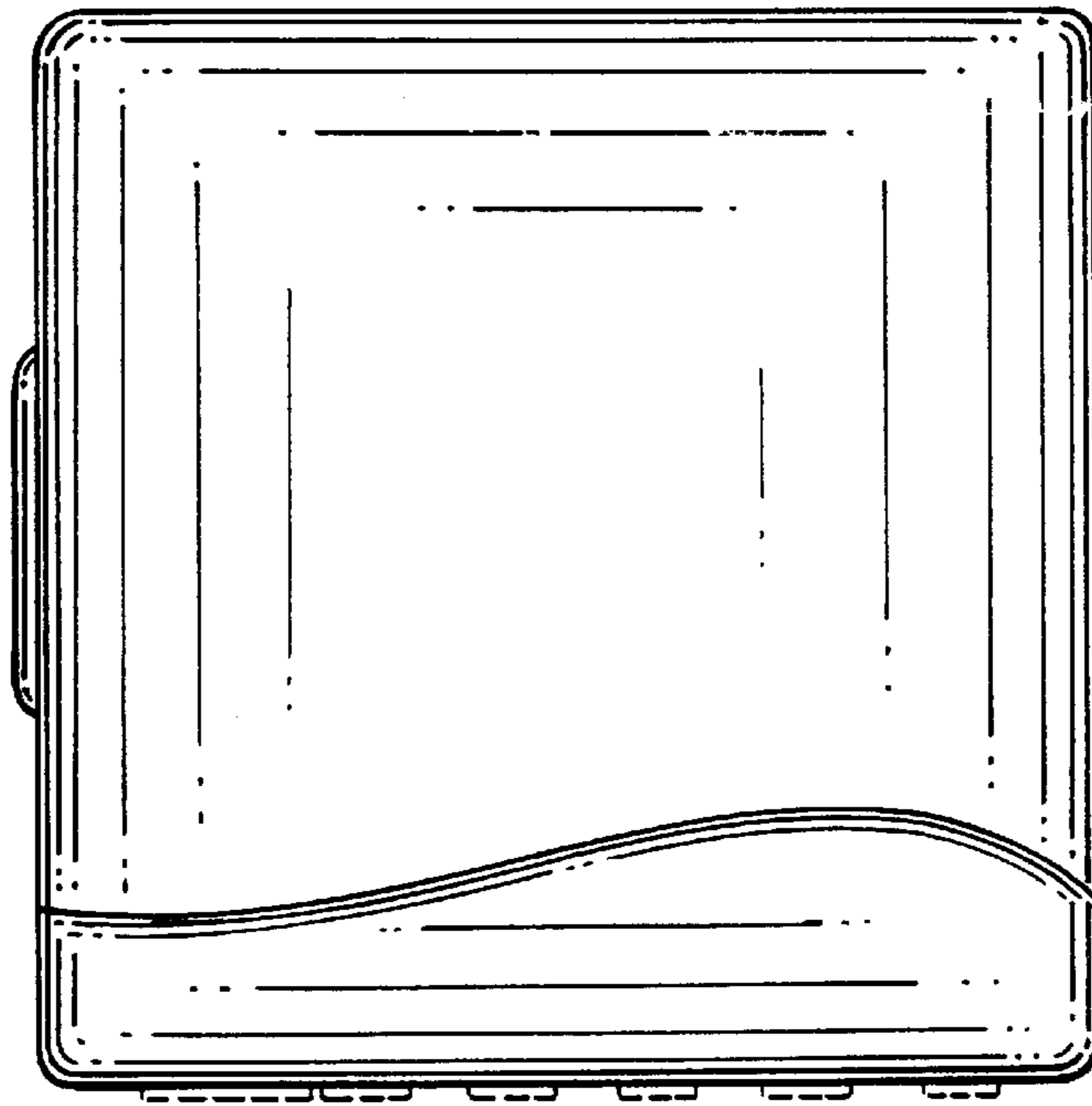


FIG. 3

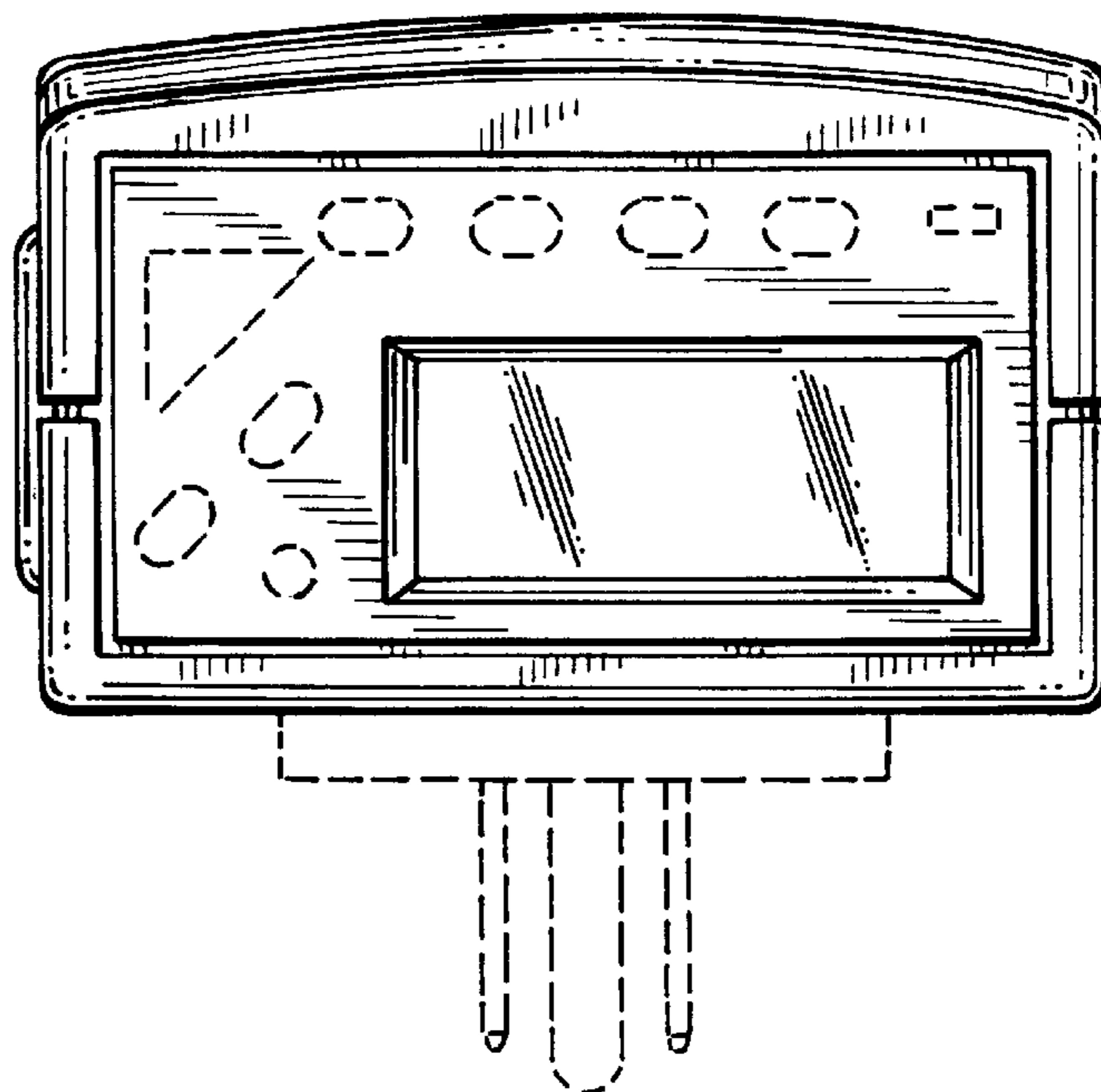


FIG. 4

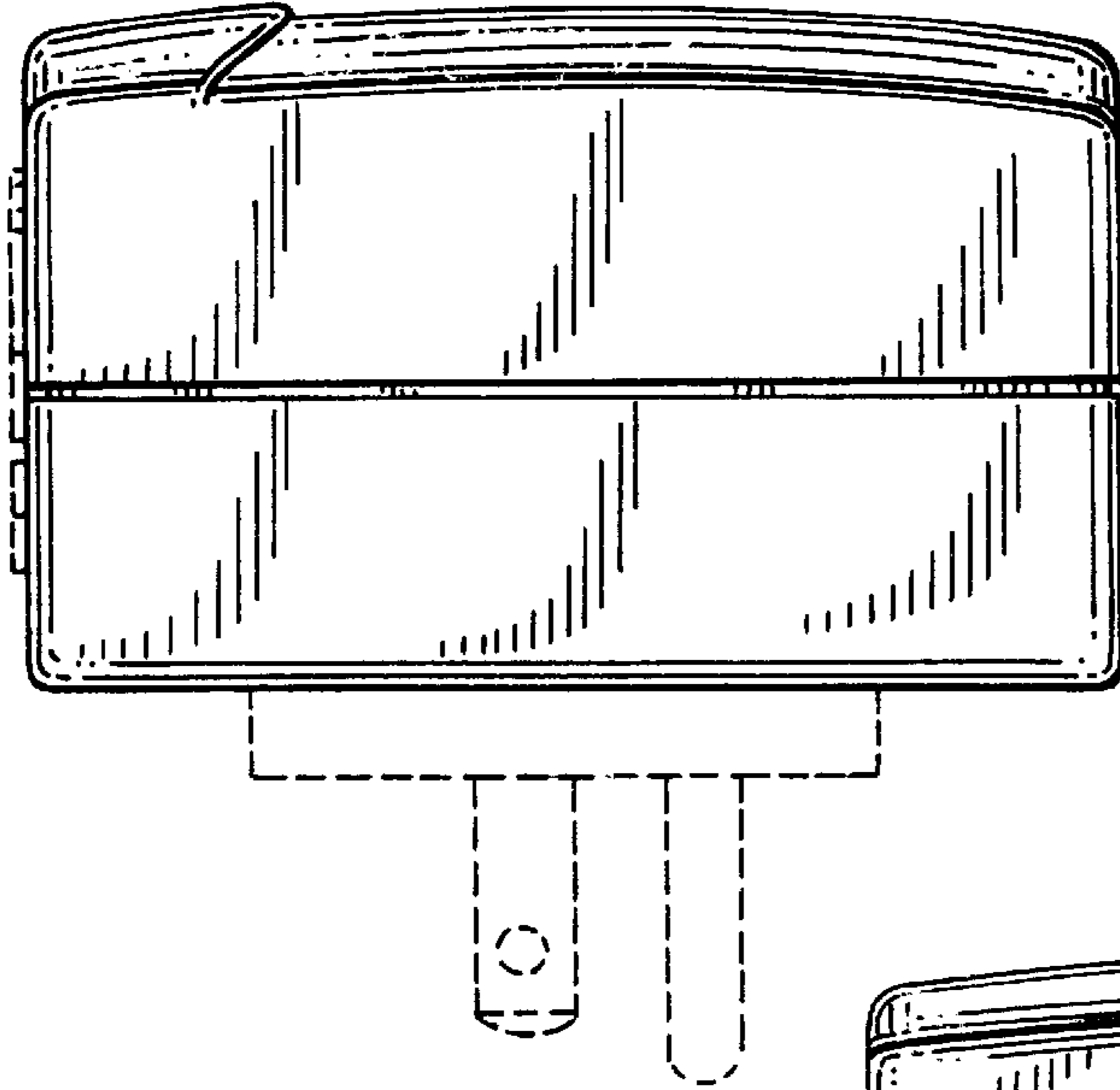


FIG. 5

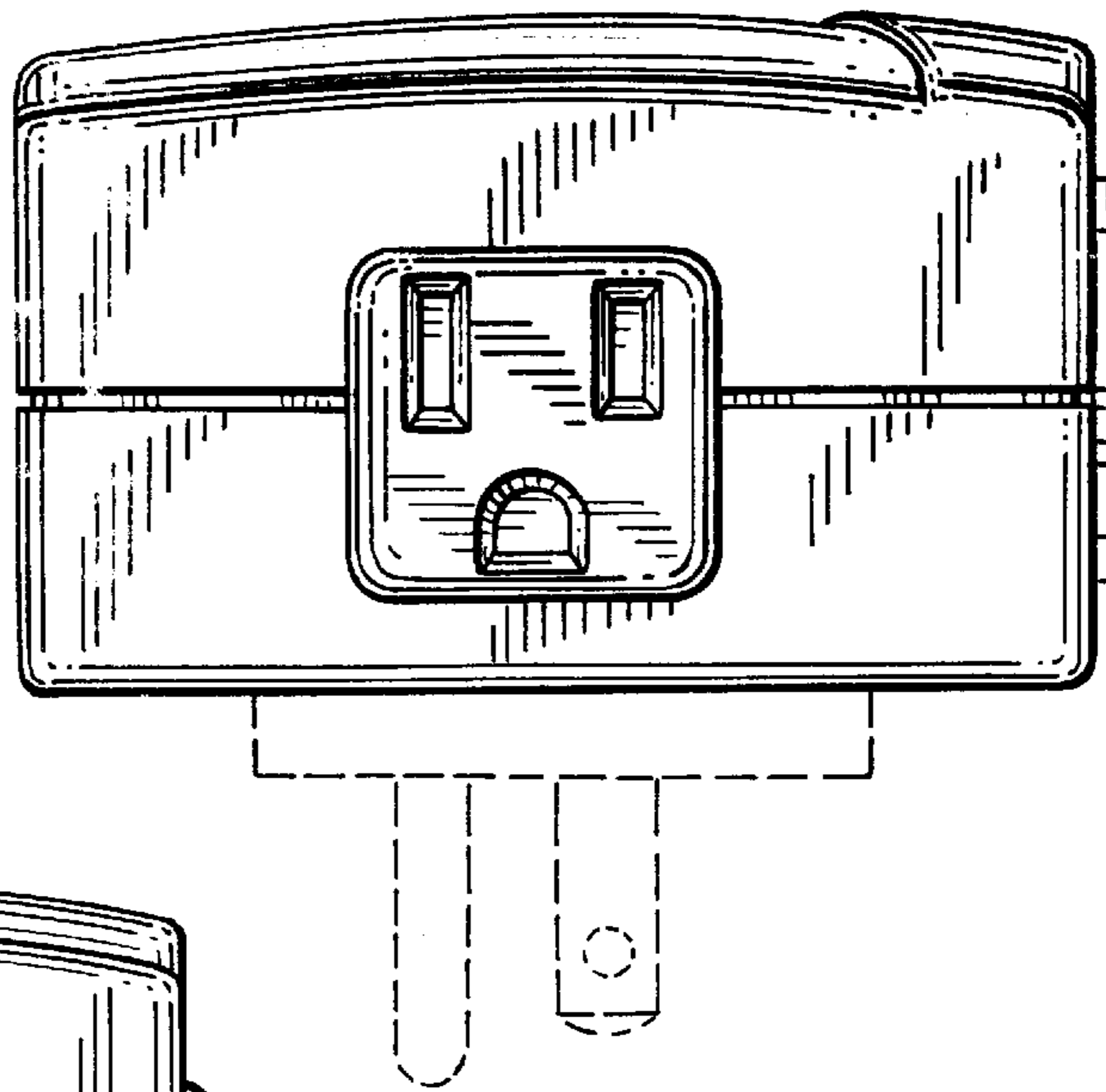


FIG. 6

