



US00D513989S

(12) **United States Design Patent**  
**De Monclin**

(10) **Patent No.:** **US D513,989 S**  
(45) **Date of Patent:** **\*\* Jan. 31, 2006**

(54) **BOTTLE**

(75) **Inventor:** **Henry De Monclin**, Levallois-Perret (FR)

(73) **Assignee:** **The Procter & Gamble Company**, Cincinnati, OH (US)

(\*\*) **Term:** **14 Years**

(21) **Appl. No.:** **29/214,891**

(22) **Filed:** **Oct. 8, 2004**

(30) **Foreign Application Priority Data**

Apr. 8, 2004 (EP) ..... 1 000159215

(51) **LOC (8) Cl.** ..... **09-01**

(52) **U.S. Cl.** ..... **D9/522; D9/526**

(58) **Field of Classification Search** ..... D9/682, D9/685, 687, 693-694, 506-509, 514, 516, D9/521-522, 526, 530, 542-543, 544, 560, D9/571-575, 444-445, 454; 215/381-385, 215/396, 398, 400; D4/16; D28/4, 76; D19/93  
See application file for complete search history.

(56) **References Cited**

**U.S. PATENT DOCUMENTS**

1,943,804 A \* 1/1934 Rummler ..... 401/119  
D99,010 S \* 3/1936 Garwood ..... D9/526  
D99,011 S \* 3/1936 Garwood ..... D9/526  
D99,012 S \* 3/1936 Garwood ..... D9/526

2,135,239 A \* 11/1938 Patterson ..... 215/380  
D124,054 S \* 12/1940 Ansell ..... D9/526  
D147,265 S \* 8/1947 Gardiner ..... D9/522  
D156,091 S \* 11/1949 Gardiner ..... D9/522  
D194,711 S \* 2/1963 Bateman ..... D9/526  
D220,748 S \* 5/1971 Gould ..... D9/526  
3,698,543 A \* 10/1972 Trotta ..... 206/540  
4,881,648 A \* 11/1989 Hagerty ..... 215/382 X  
D312,777 S \* 12/1990 Courreges ..... D9/523  
D319,699 S \* 9/1991 Dunning ..... D24/115  
D358,332 S \* 5/1995 Schneider et al. .... D9/526

\* cited by examiner

*Primary Examiner*—Carol Rademaker

(74) *Attorney, Agent, or Firm*—Kenya T. Pierre; Tara M. Rosnell

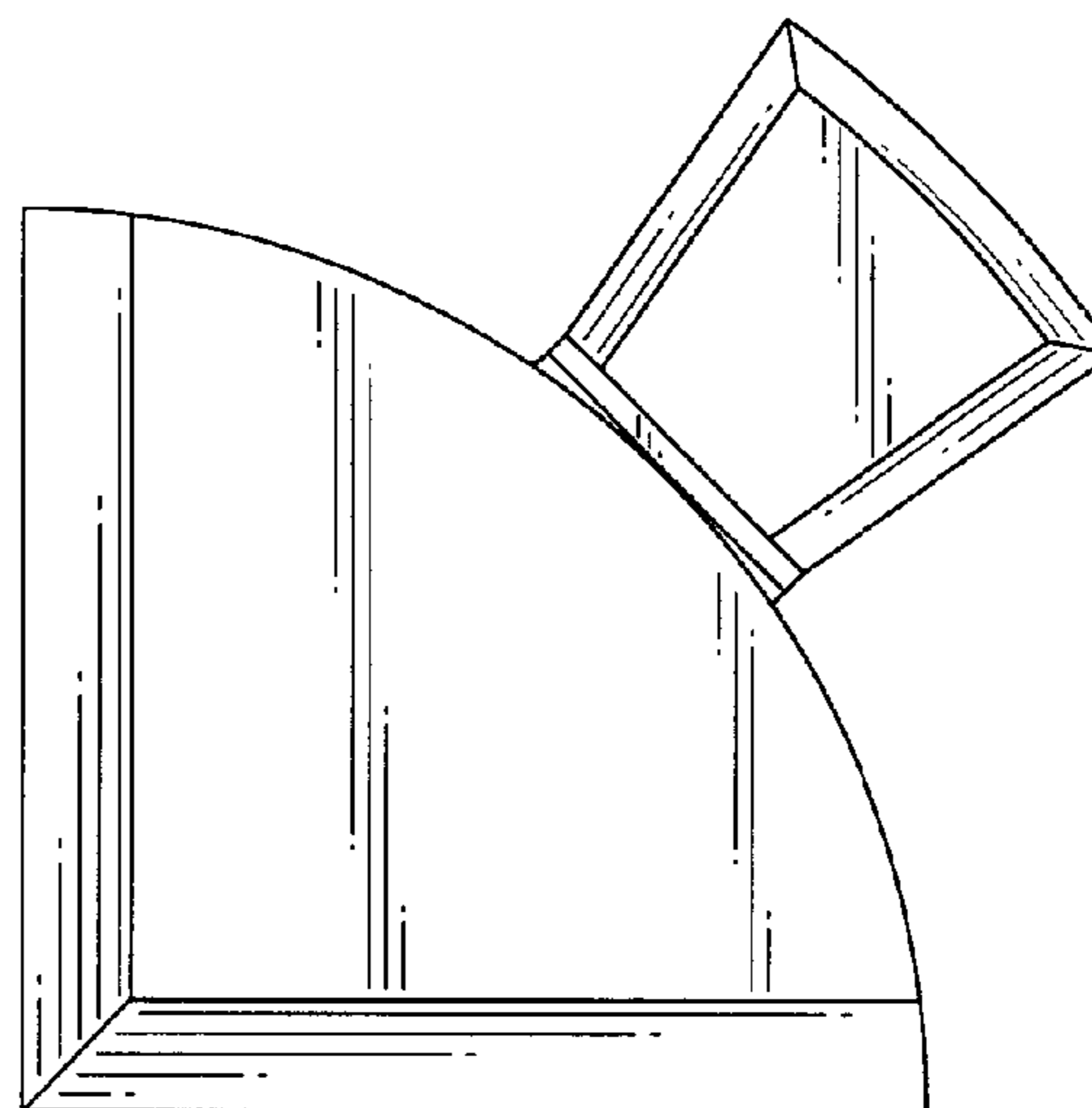
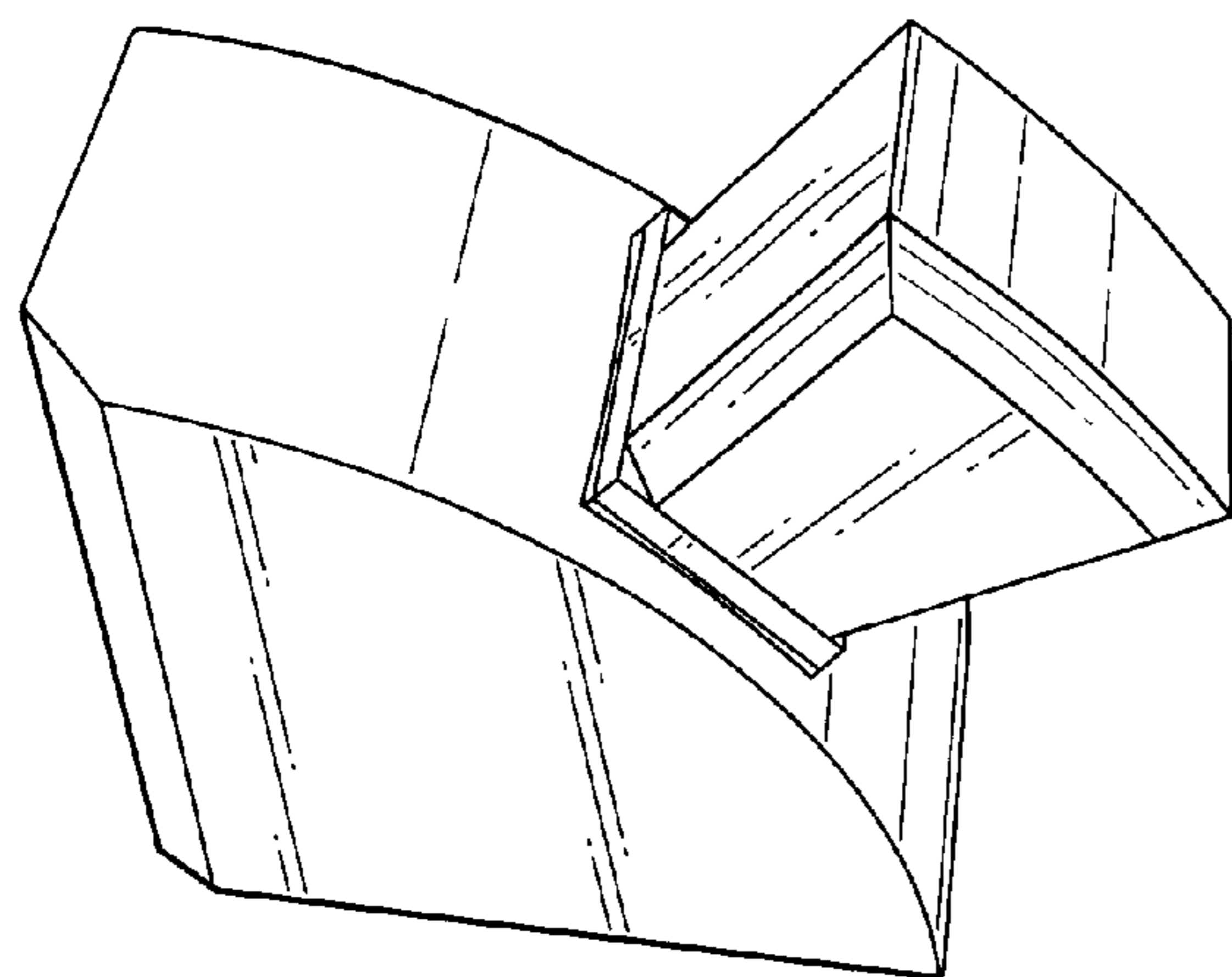
(57) **CLAIM**

The ornamental design for a bottle, or the like, as shown and described.

**DESCRIPTION**

FIG. 1 is a front perspective view of a bottle;  
FIG. 2 is a front elevational view of the bottle of FIG. 1;  
FIG. 3 is a rear elevational view of the bottle of FIG. 1;  
FIG. 4 is a left side elevational view of the bottle of FIG. 1;  
FIG. 5 is a right side elevational view of the bottle of FIG. 1;  
FIG. 6 is a top plan view of the bottle of FIG. 1; and,  
FIG. 7 is a bottom plan of the bottle of FIG. 1.

**1 Claim, 2 Drawing Sheets**



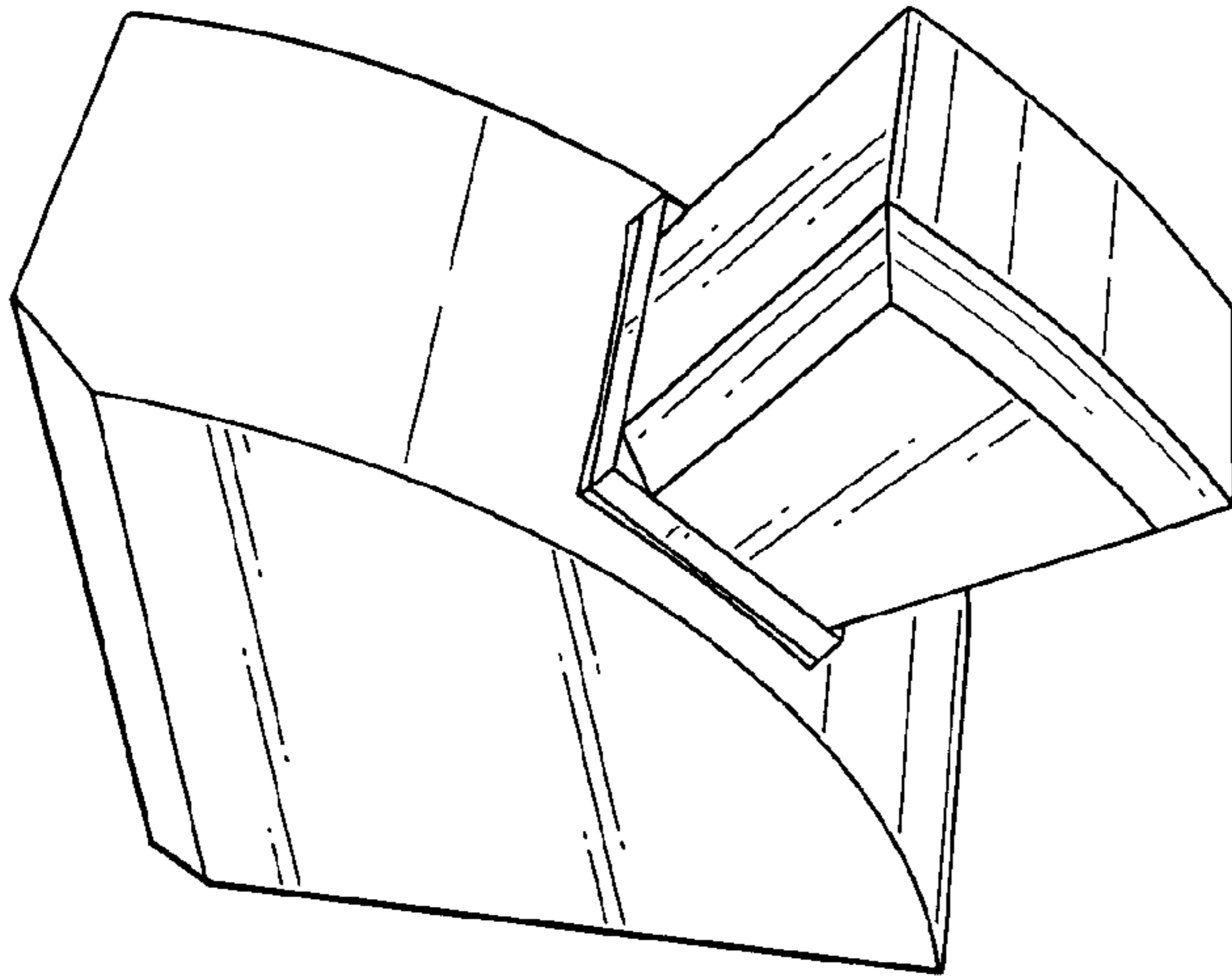


Fig.1.

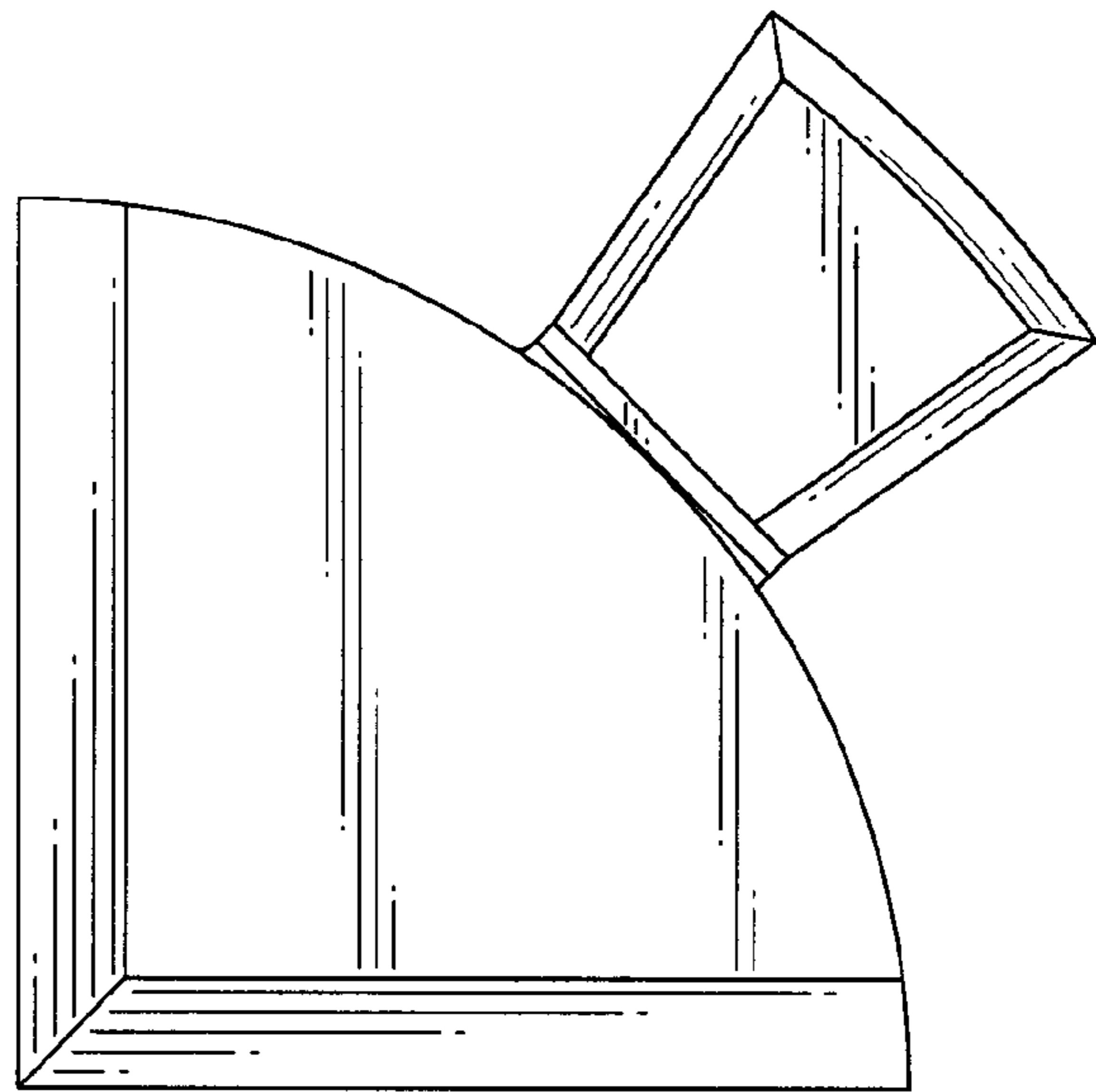


Fig.2.

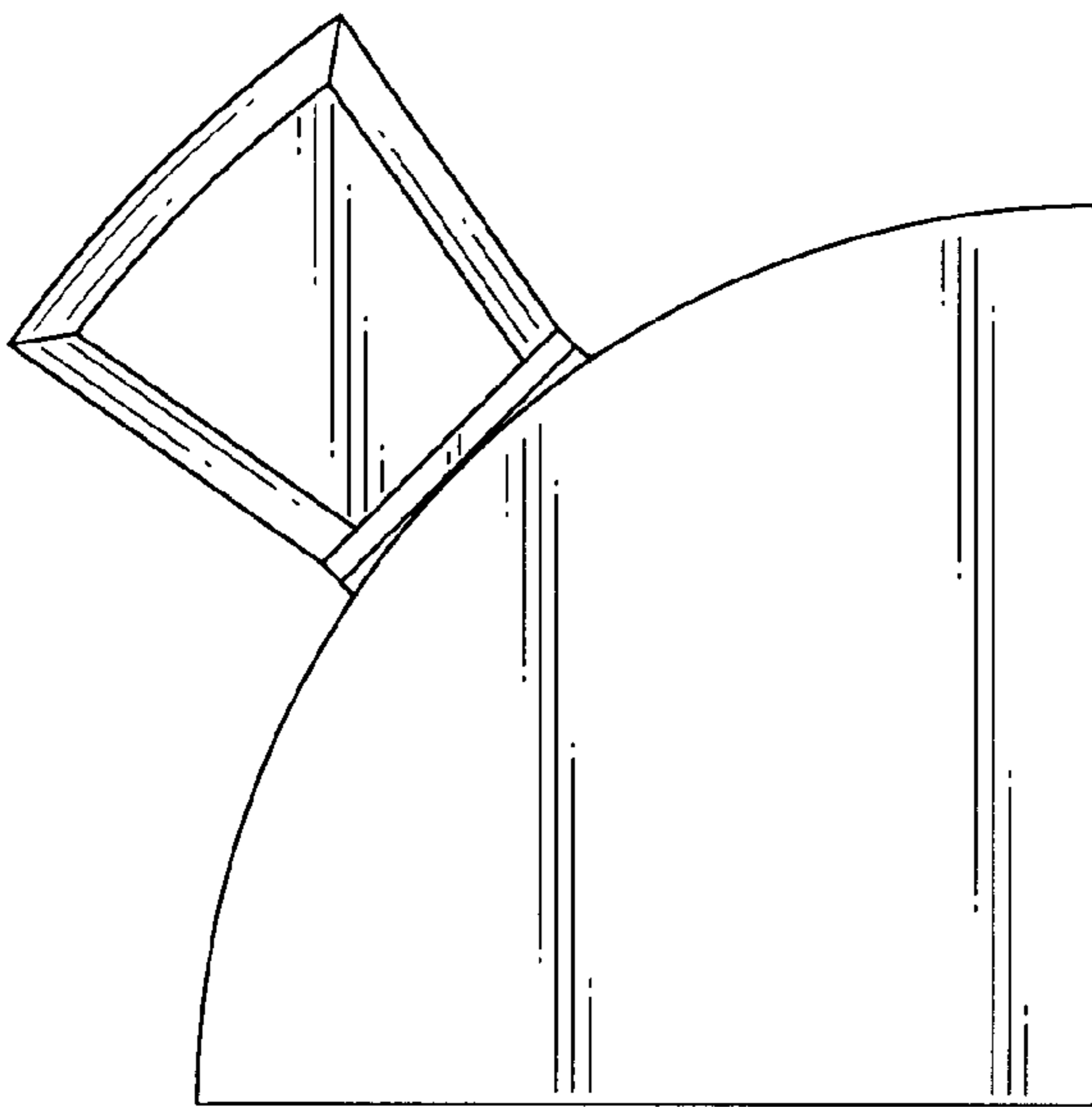


Fig.3.

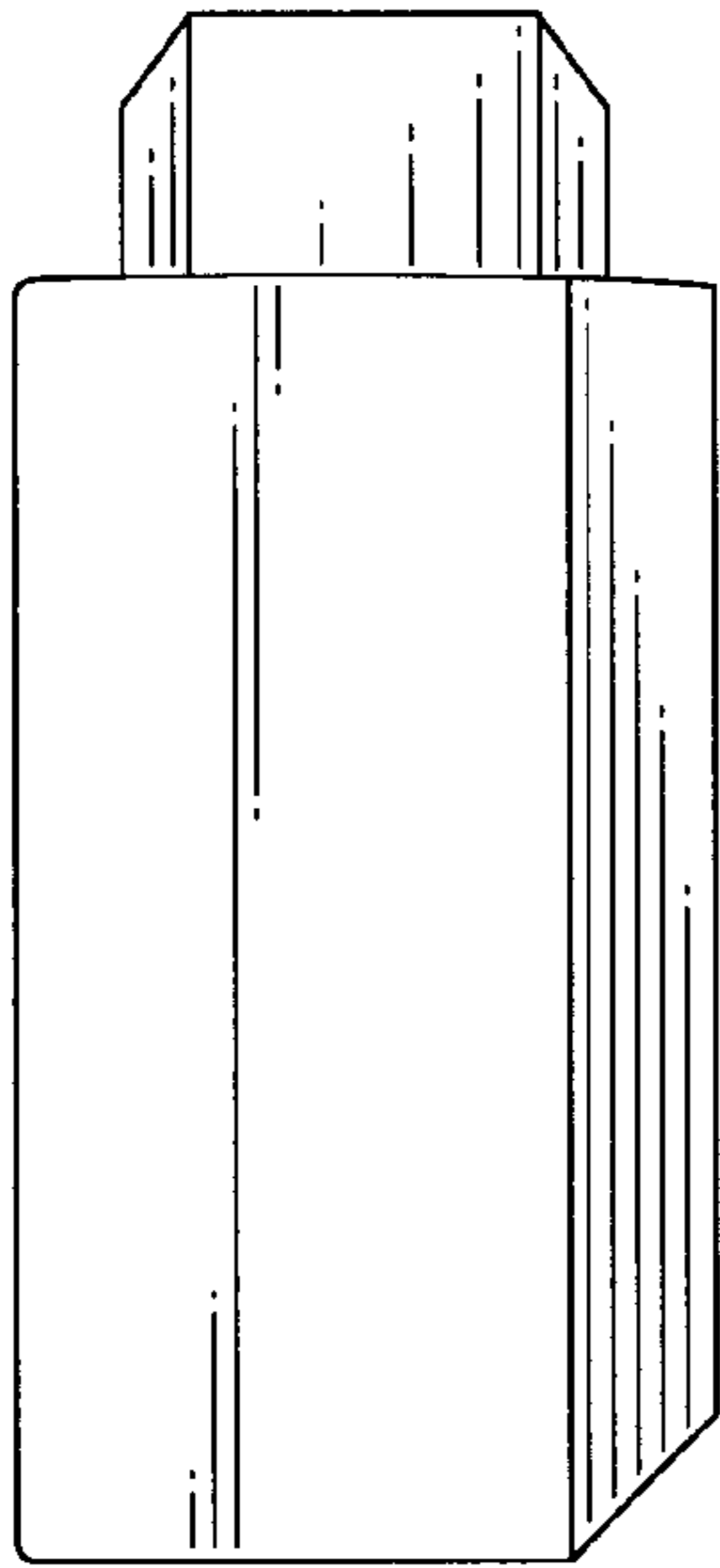


Fig.4.

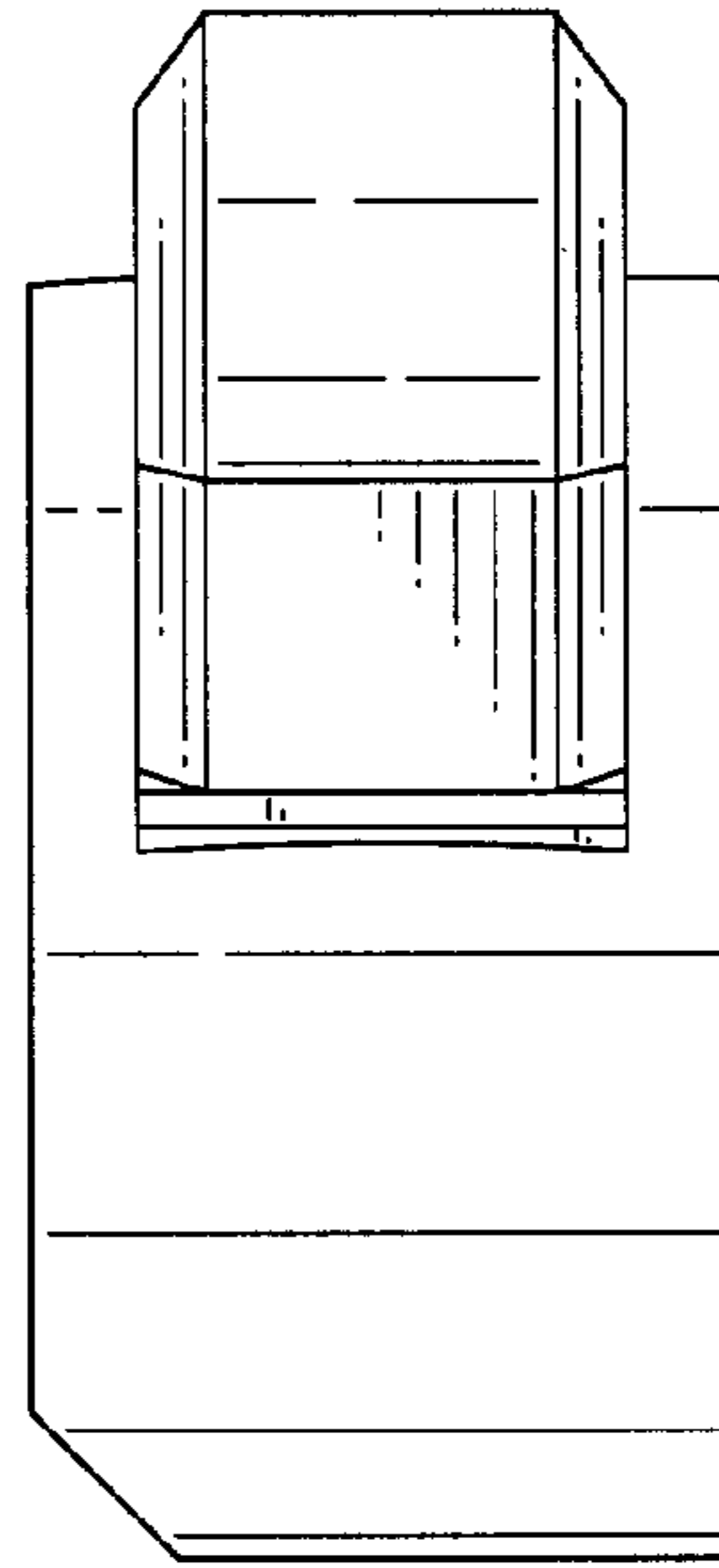


Fig.5.

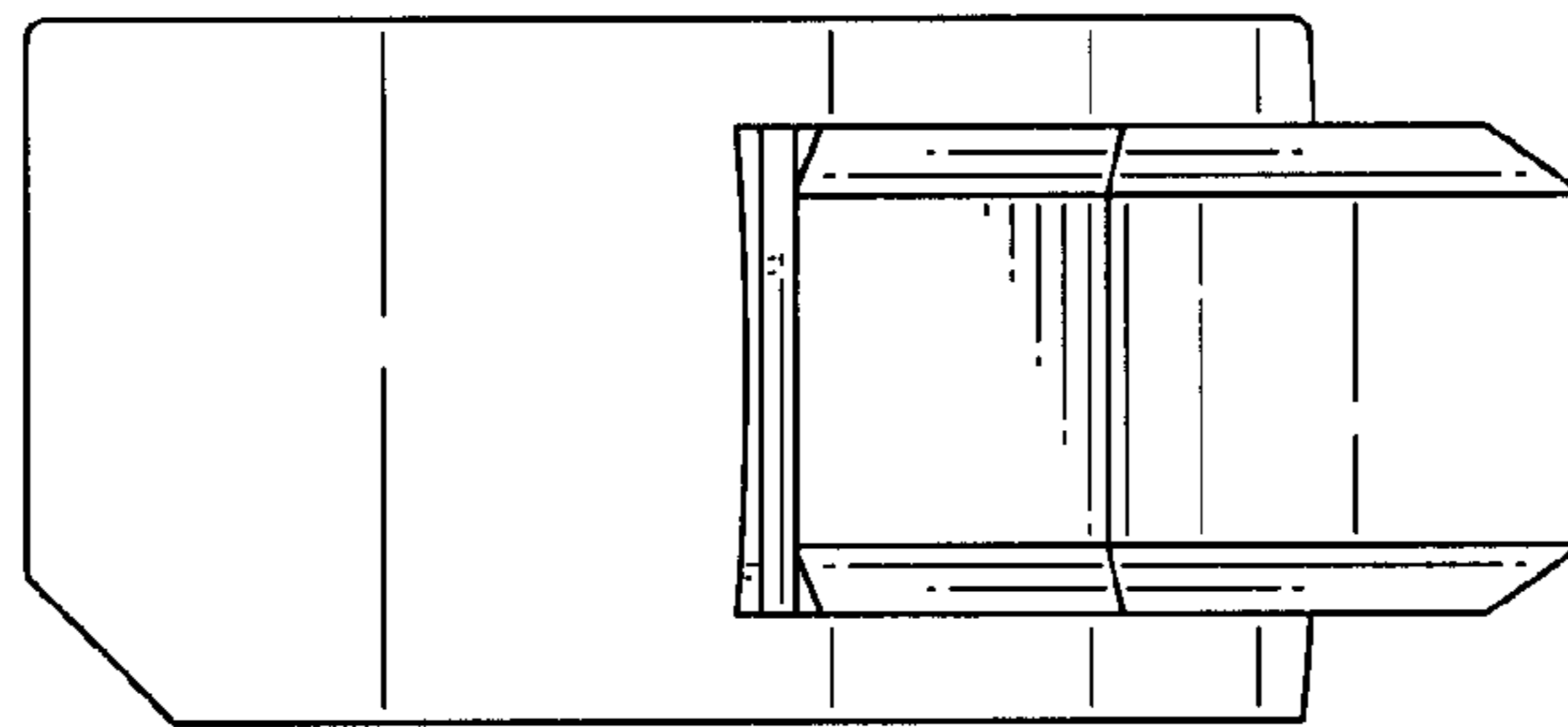


Fig.6.

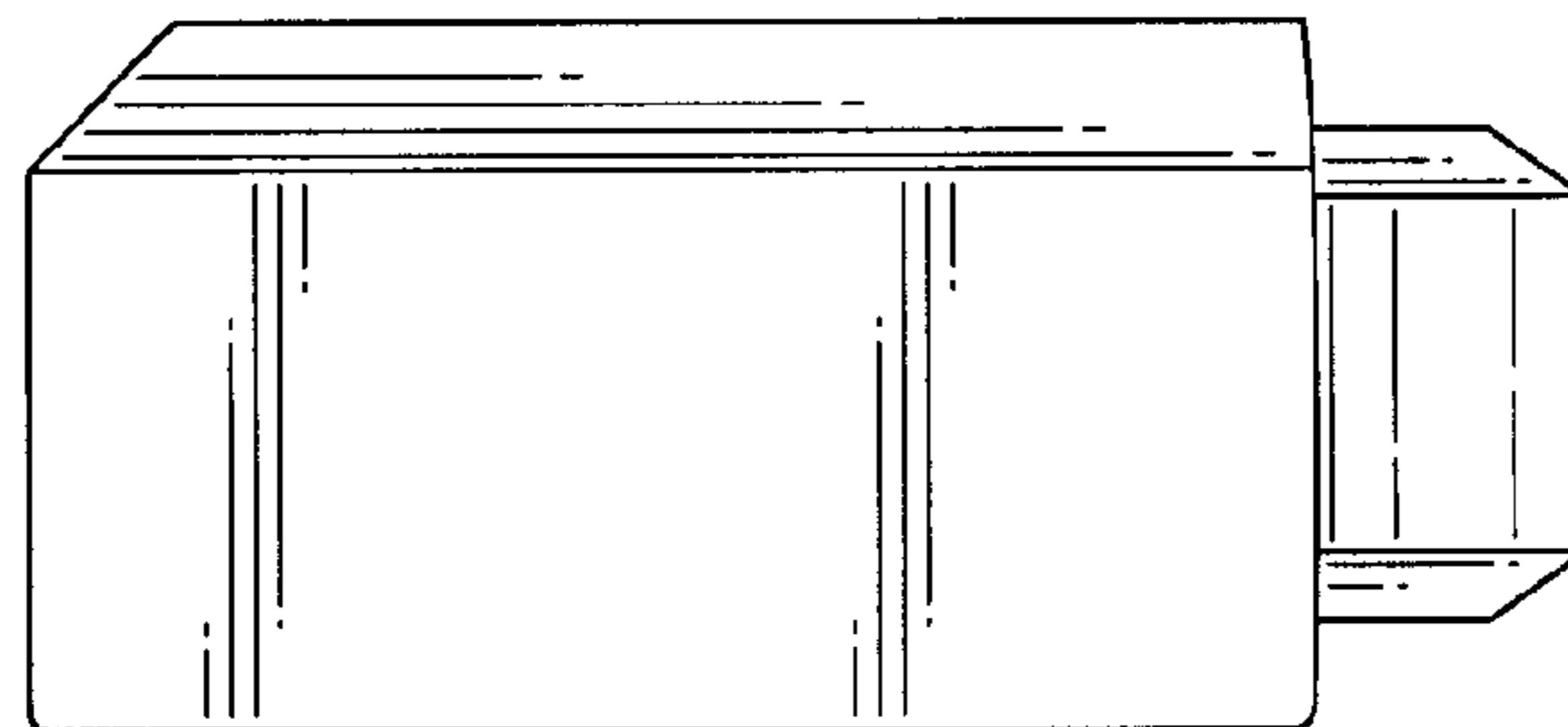


Fig.7.