



US00D513988S

(12) **United States Design Patent**
Malik

(10) **Patent No.:** **US D513,988 S**
(45) **Date of Patent:** **** Jan. 31, 2006**

(54) **ORNAMENTAL COVER FOR A BEVERAGE CONTAINER**

(76) Inventor: **Neil K. Malik**, 55 Chestnut St. #1,
Cambridge, MA (US) 02139

(**) Term: **14 Years**

(21) Appl. No.: **29/202,256**

(22) Filed: **Mar. 29, 2004**

(51) **LOC (8) Cl.** **09-07**

(52) **U.S. Cl.** **D9/451**

(58) **Field of Classification Search** 215/200,
215/228, 229, 388; D2/866, 873, 887; D9/434-436,
D9/441, 445, 451, 517, 618, 631, 632; D3/271.4;
D12/199, 83; 54/80.2

See application file for complete search history.

(56) **References Cited**

U.S. PATENT DOCUMENTS

D153,538 S	*	4/1949	Moore	D2/887
D175,451 S	*	8/1955	Young	D2/887
4,969,317 A	*	11/1990	Ode	54/80.2
D350,427 S	*	9/1994	Vig et al.	D2/887
D359,383 S	*	6/1995	Hutchinson et al.	D2/866
D386,305 S	*	11/1997	Lau	D3/271.4
D392,926 S	*	3/1998	Adelaar	D12/162

* cited by examiner

Primary Examiner—Robert M. Spear
Assistant Examiner—Susan Bennett-Hattan
(74) *Attorney, Agent, or Firm*—Salter & Michaelson

(57) **CLAIM**

The ornamental design for an ornamental cover for a beverage container, as shown and described.

DESCRIPTION

FIG. 1 is a perspective view of an ornamental cover for a beverage container showing my new design in an installed position on a beverage can;

FIG. 2 is a sectional view thereof;

FIG. 3 is an exploded perspective view thereof;

FIG. 4 is a left side elevational view thereof;

FIG. 5 is a right side elevational view thereof;

FIG. 6 is a top plan view thereof;

FIG. 7 is a bottom plan view thereof;

FIG. 8 is a front elevational view thereof;

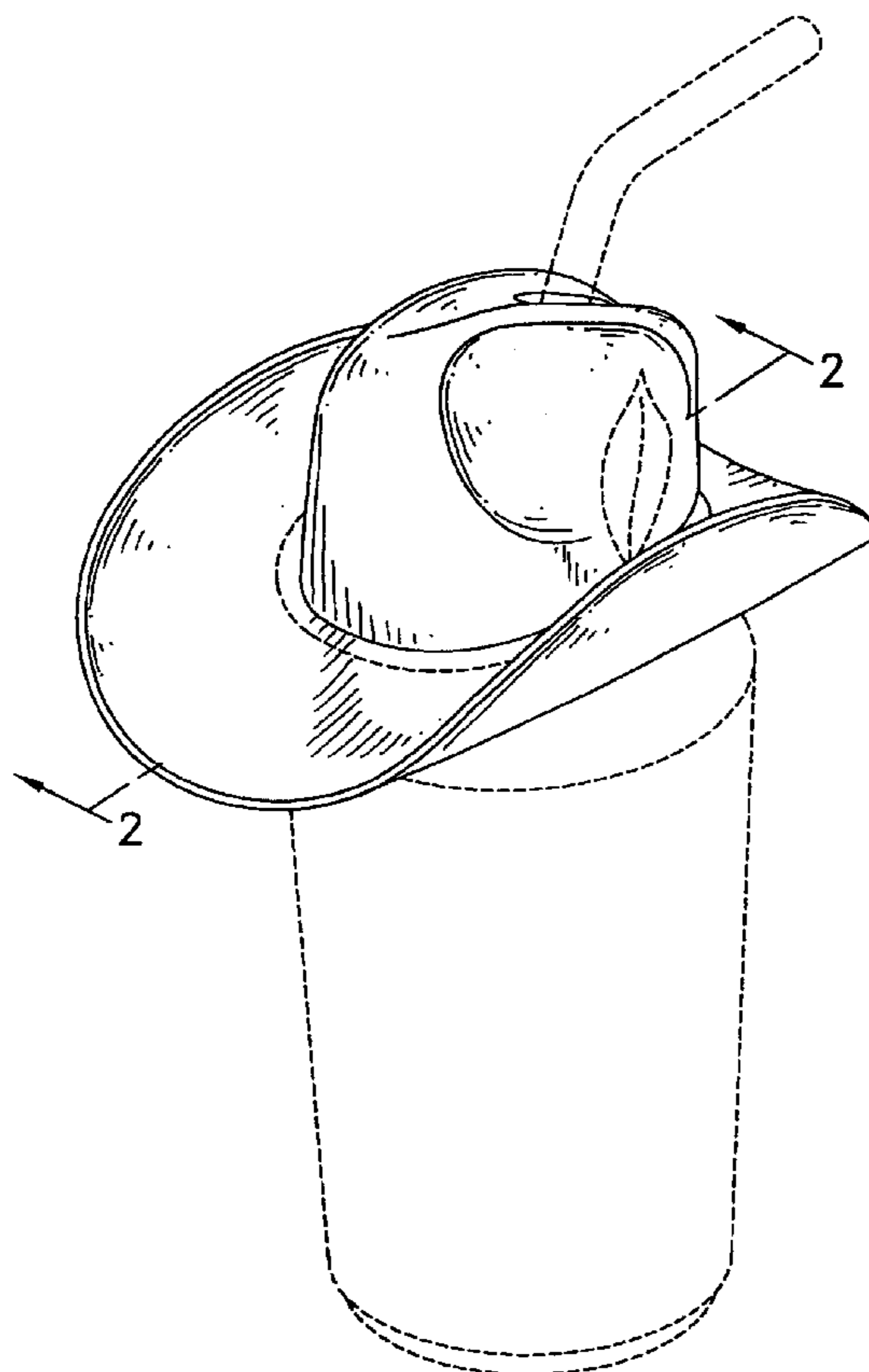
FIG. 9 is a back elevational view thereof;

FIG. 10 is an exploded perspective view thereof, shown in an alternate environment; and,

FIG. 11 is a perspective view thereof showing my new design in an installed position on a beverage cup.

The portions shown in broken lines are included for illustrative purpose only and form no part of the claimed design.

1 Claim, 8 Drawing Sheets



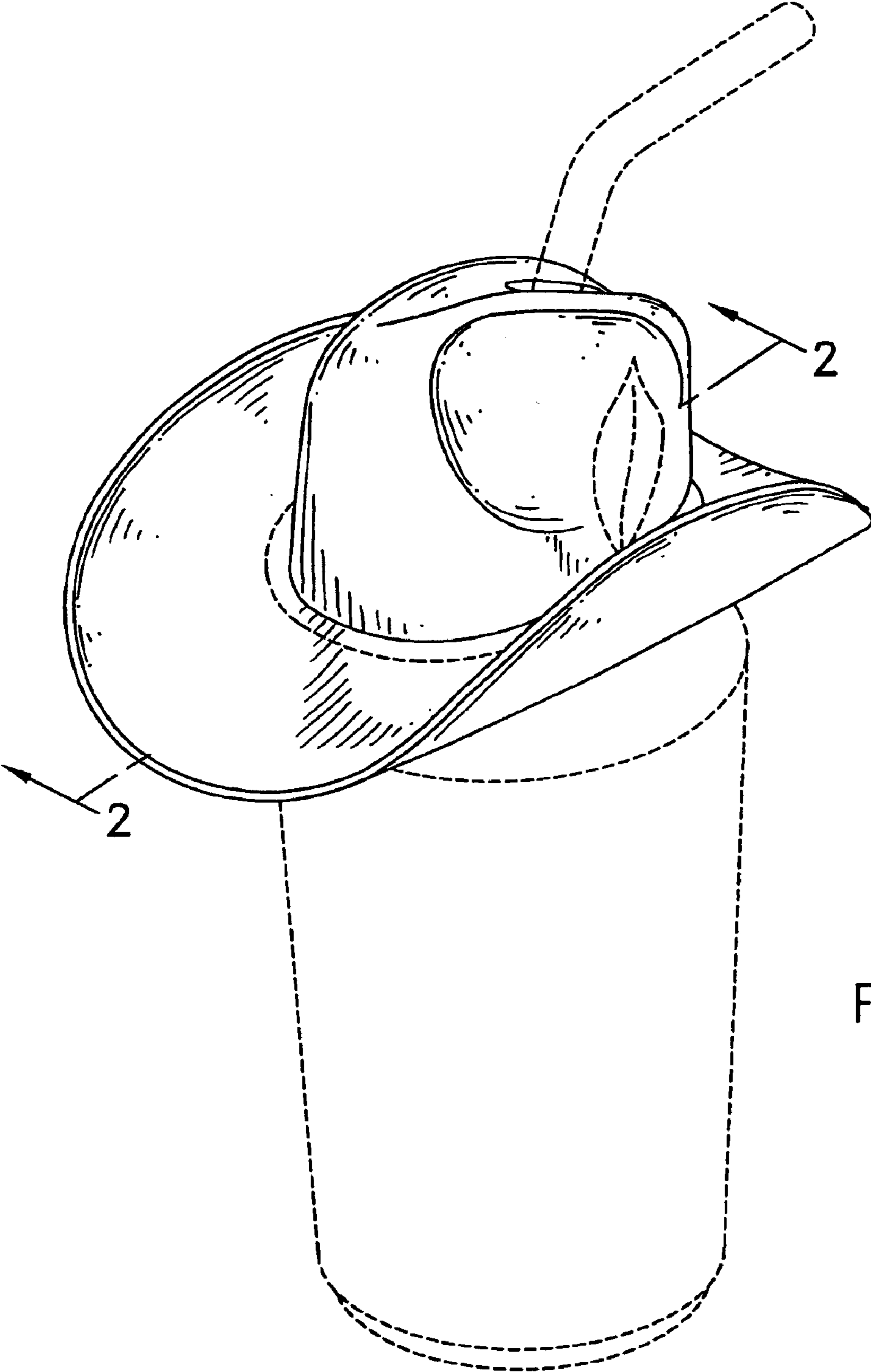


FIG. 1

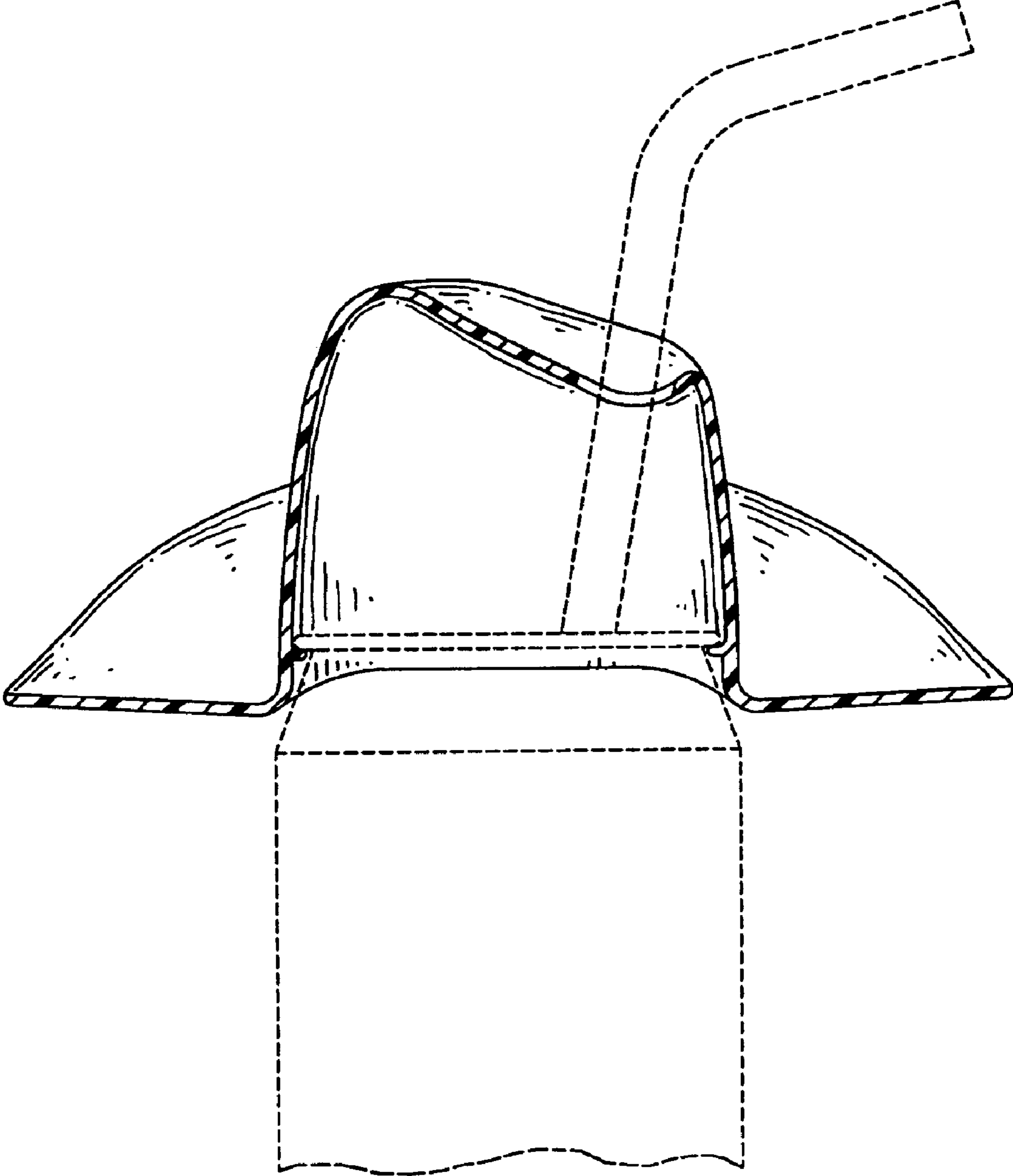


FIG. 2

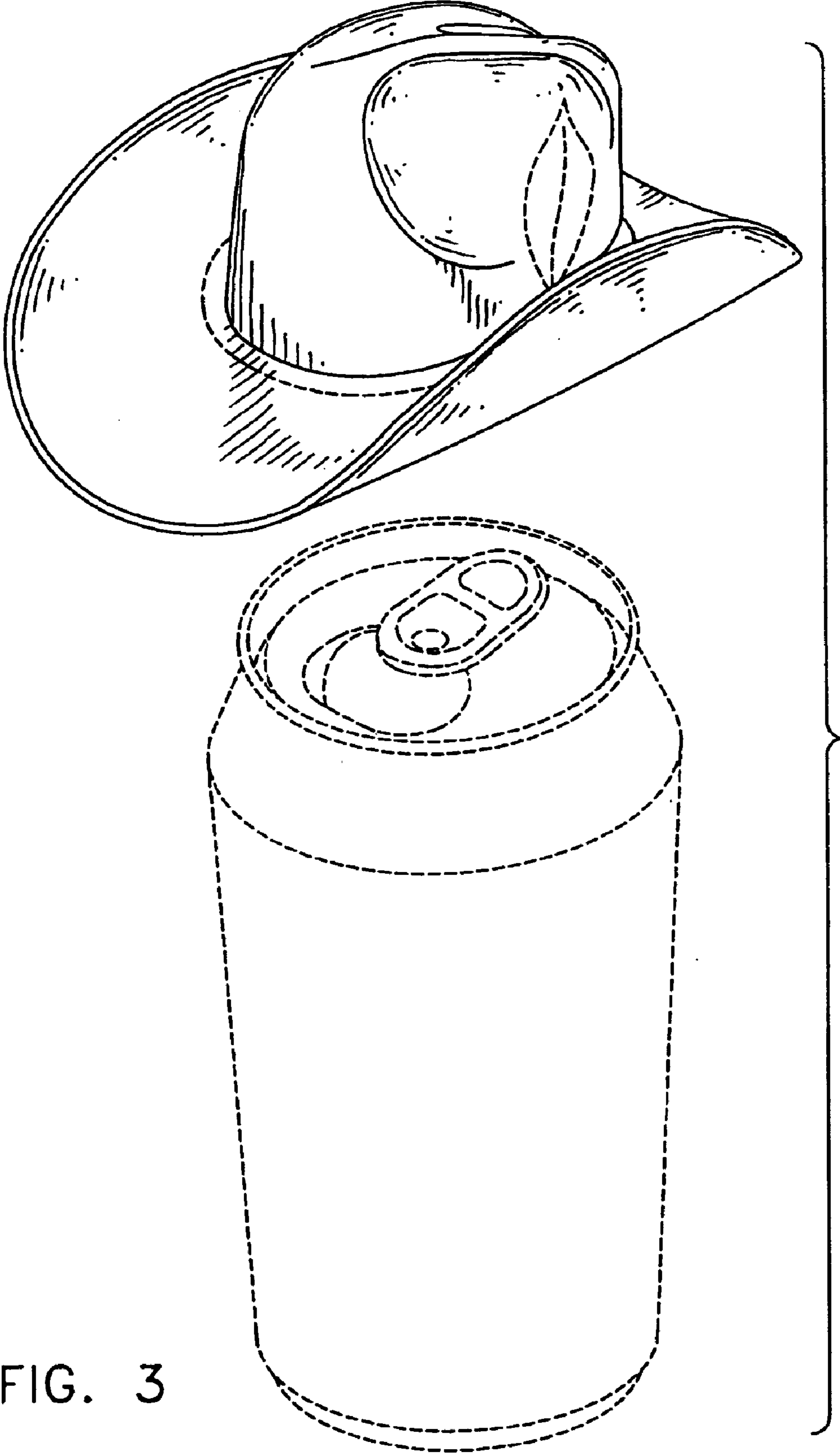


FIG. 3



FIG. 4

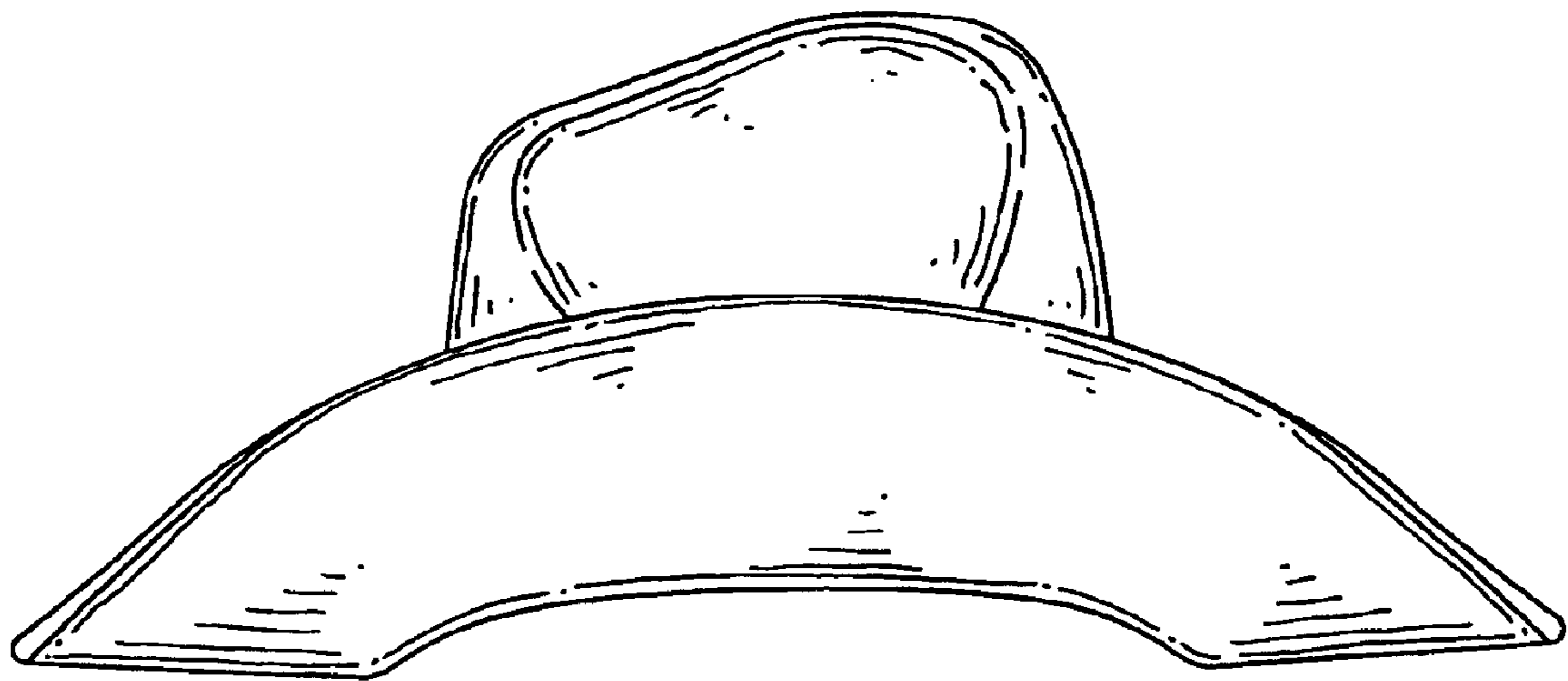


FIG. 5

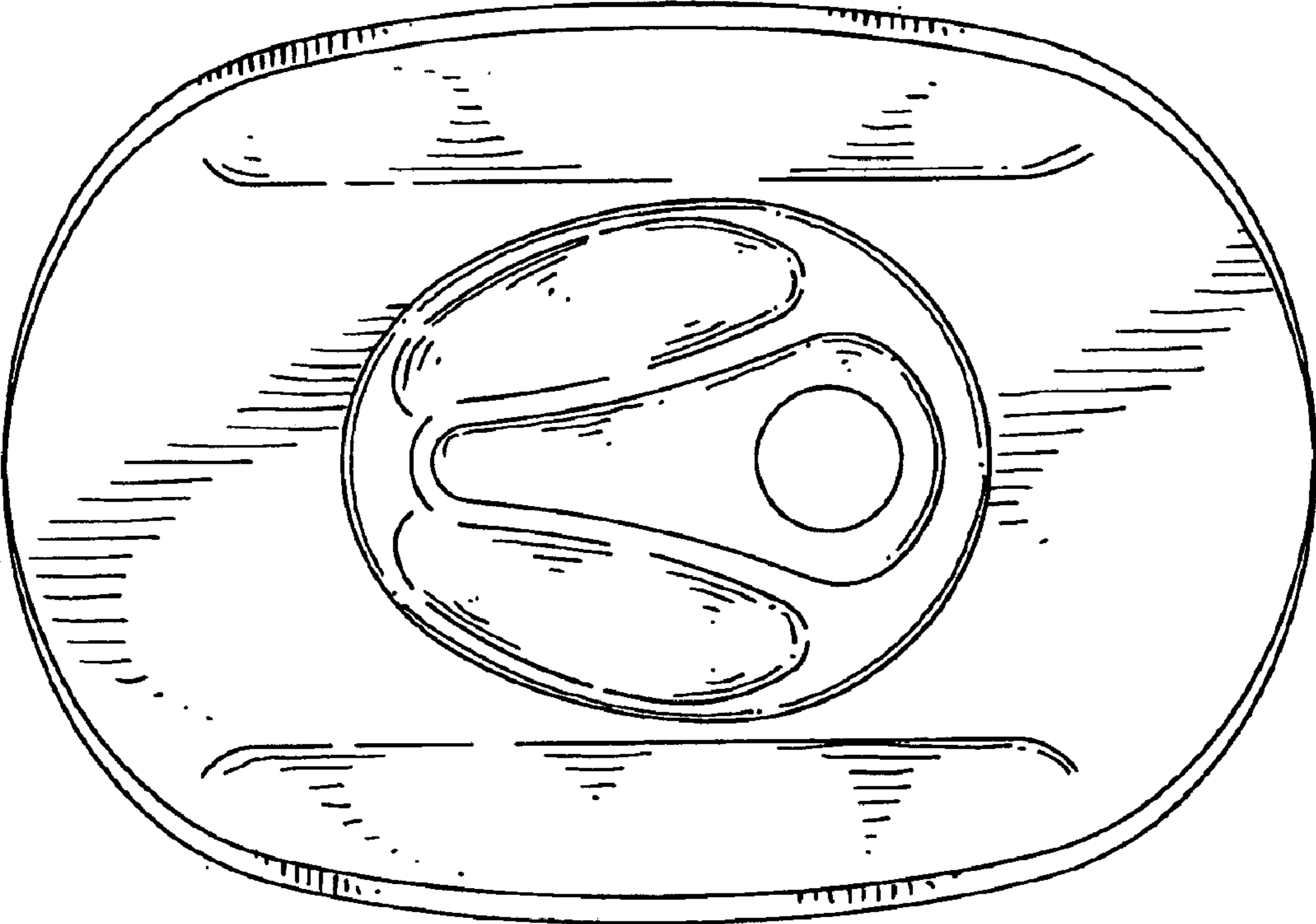


FIG. 6

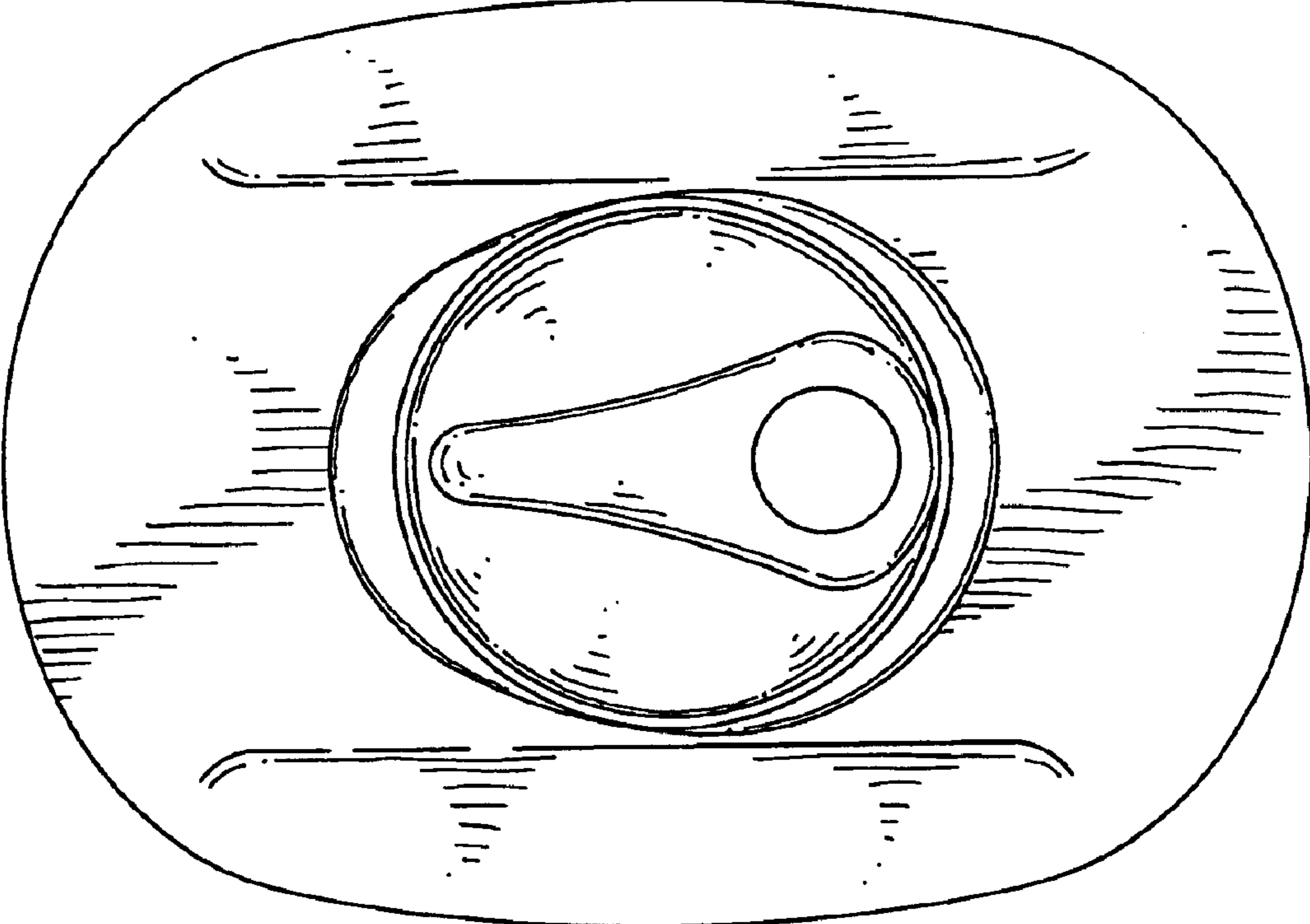


FIG. 7

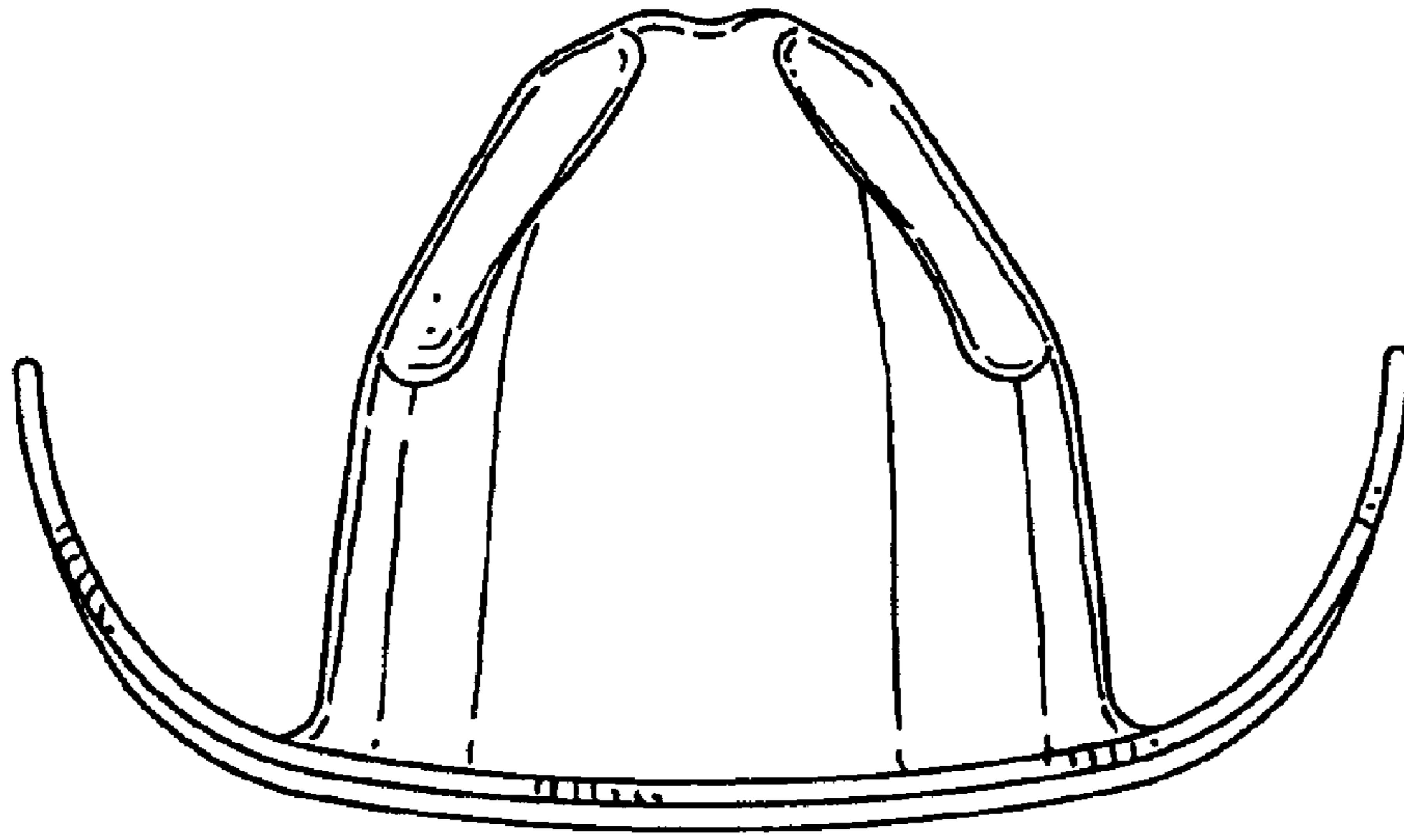


FIG. 8

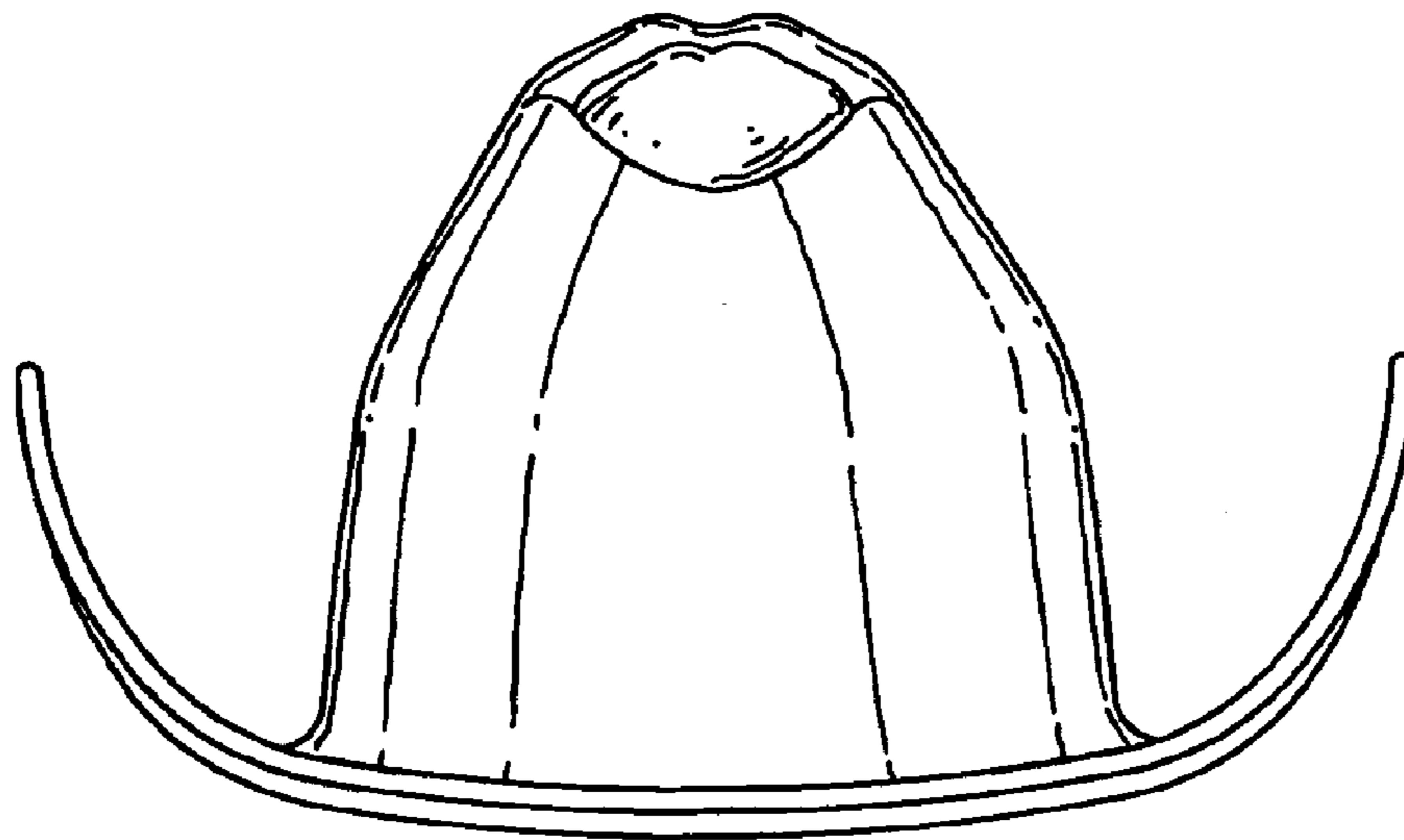


FIG. 9

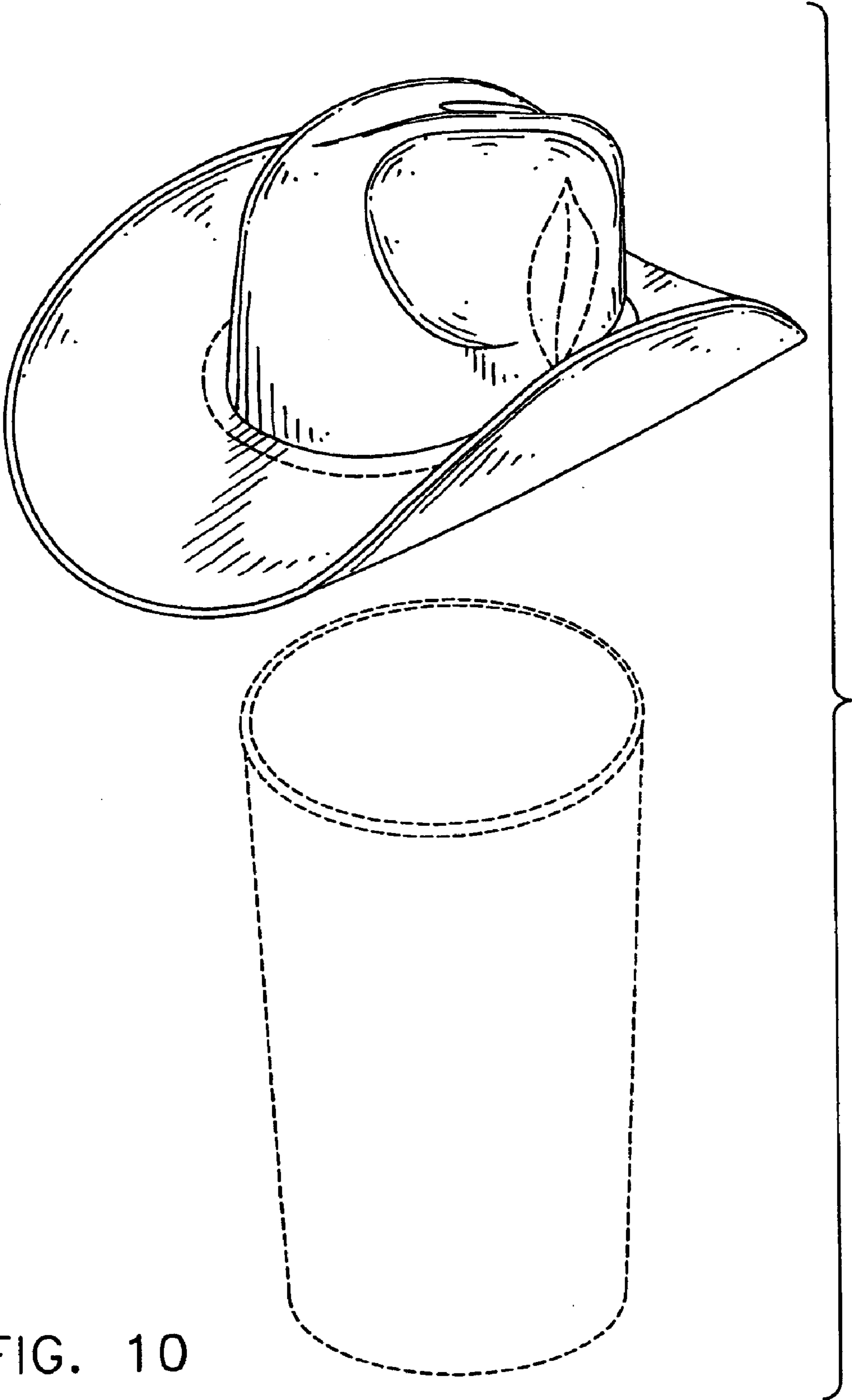


FIG. 10

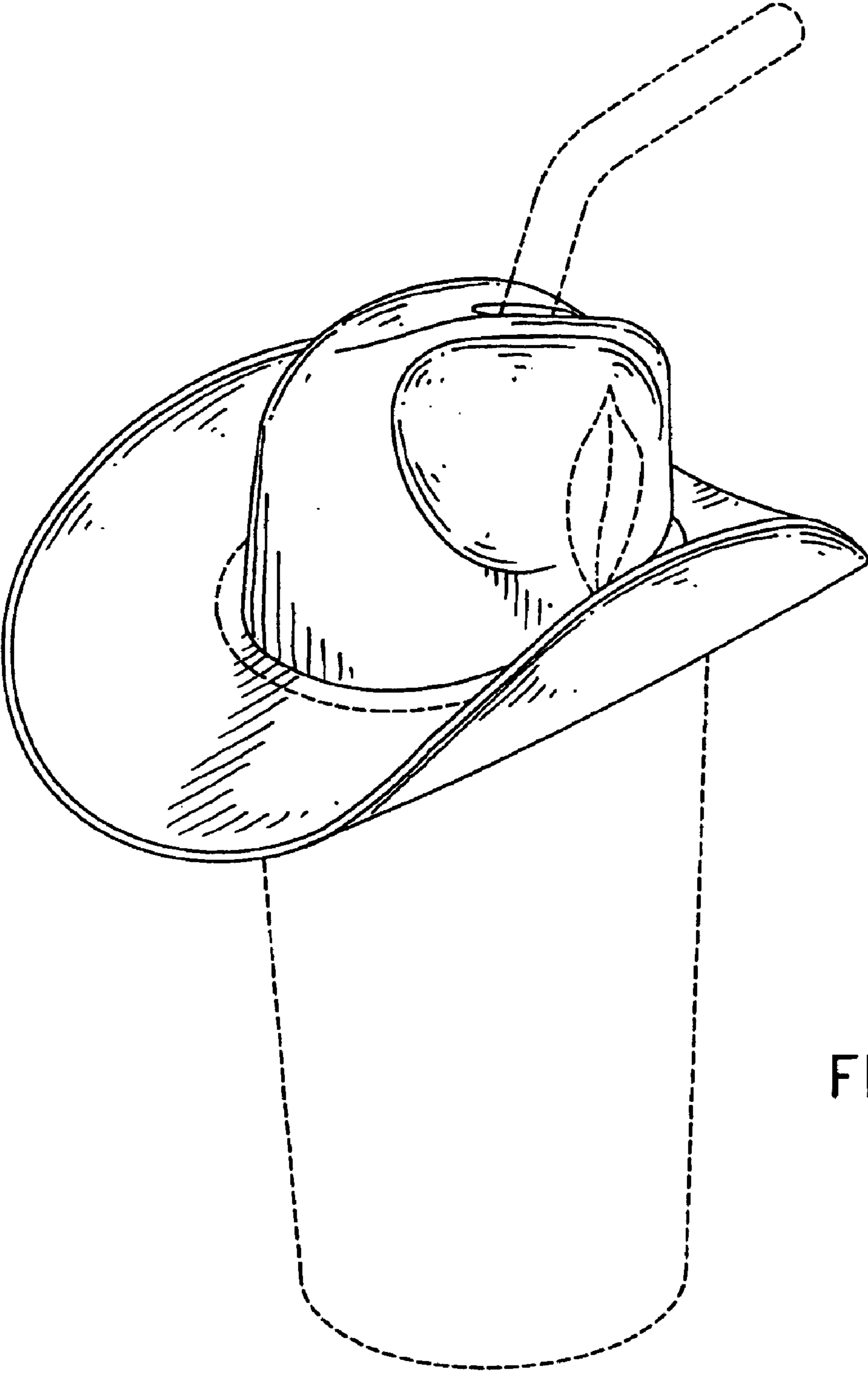


FIG. 11