

US00D513985S

(12) **United States Design Patent**  
**Erdie**

(10) **Patent No.:** **US D513,985 S**  
(45) **Date of Patent:** **\*\* Jan. 31, 2006**

- (54) **END CAP FOR A PAPER TUBE**
- (76) **Inventor:** **Jason S. Erdie**, 4181 Humphrey Rd.,  
Richfield, OH (US) 44286
- (\*\*) **Term:** **14 Years**
- (21) **Appl. No.:** **29/225,306**
- (22) **Filed:** **Mar. 14, 2005**

- D351,458 S \* 10/1994 Linner ..... D23/260
- D351,793 S \* 10/1994 Stoller ..... D9/443
- D379,403 S \* 5/1997 Jones ..... D23/261
- D394,184 S \* 5/1998 Demore ..... D9/443
- D463,283 S \* 9/2002 Haynes ..... D9/516

\* cited by examiner

*Primary Examiner*—Robert M. Spear  
*Assistant Examiner*—Susan Bennett Hattan  
(74) *Attorney, Agent, or Firm*—Rankin, Hill, Porter & Clark LLP

**Related U.S. Application Data**

- (63) Continuation of application No. 10/801,786, filed on Mar. 16, 2004.
  - (51) **LOC (8) Cl.** ..... **09-07**
  - (52) **U.S. Cl.** ..... **D9/439**
  - (58) **Field of Classification Search** ..... D9/711,  
D9/708, 545, 544, 537, 530, 524, 522, 516,  
D9/499, 454, 449, 446, 443, 439, 435, 434,  
D9/424; D23/260, 261; 285/901; 215/323,  
215/200, 355; 220/698, 702, 298, 233, 253,  
220/293, 300
- See application file for complete search history.

(57) **CLAIM**

The ornamental design for an end cap for a paper tube, as shown and described.

**DESCRIPTION**

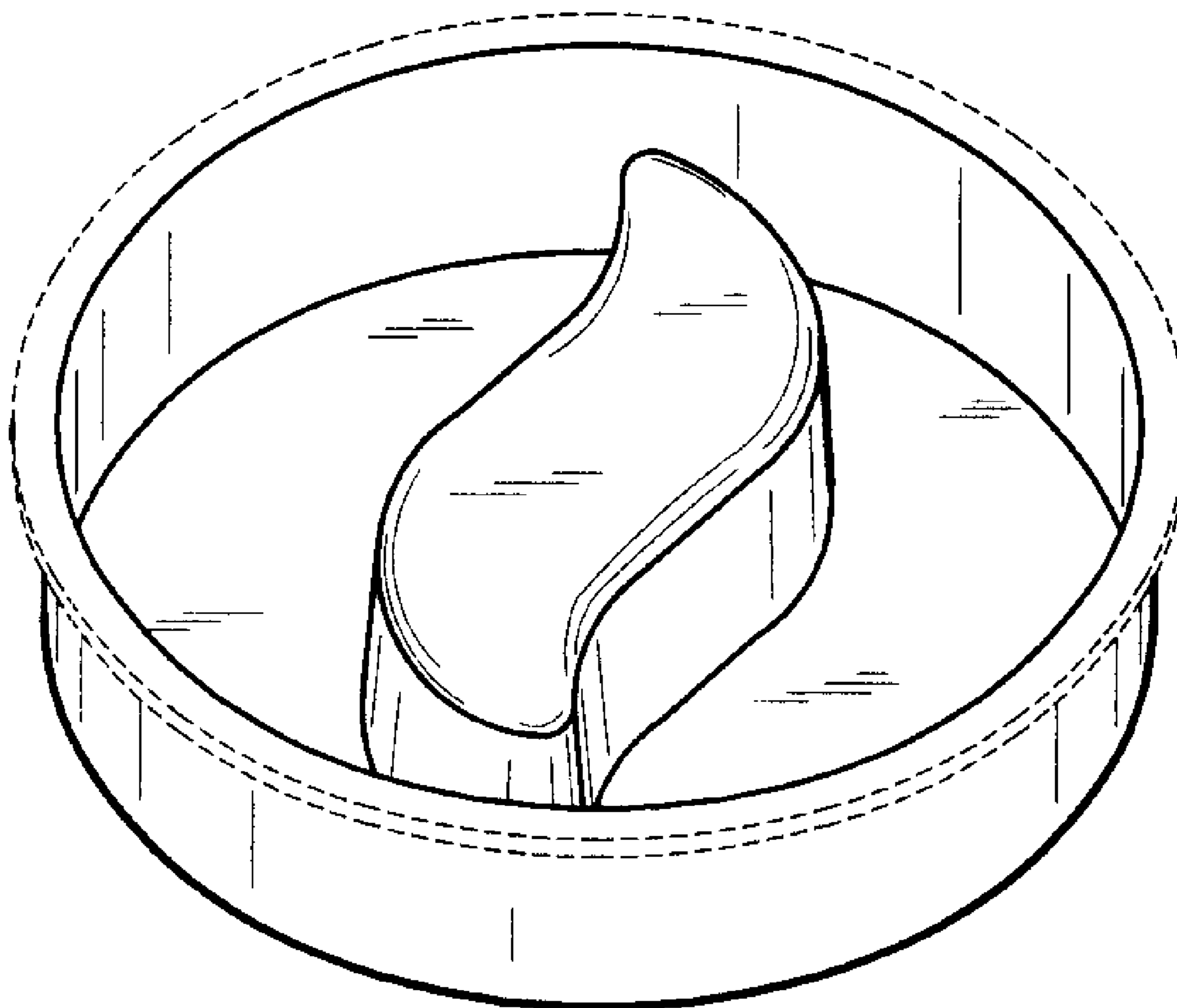
FIG. 1 is a perspective view of an end cap for a paper tube showing my new design.  
FIG. 2 is a top view of the end cap of FIG. 1.  
FIG. 3 is a front side view of the end cap of FIG. 1, with the right, back and left side views being identical to the front side view; and,  
FIG. 4 is a bottom view of the end cap of FIG. 1.  
The matter shown in broken lines in the figures is present solely to indicate an exemplary perimeter rim of the end cap, and does not form part of the design.

(56) **References Cited**

**U.S. PATENT DOCUMENTS**

- D228,345 S \* 9/1973 Kleinman ..... D9/439

**1 Claim, 1 Drawing Sheet**



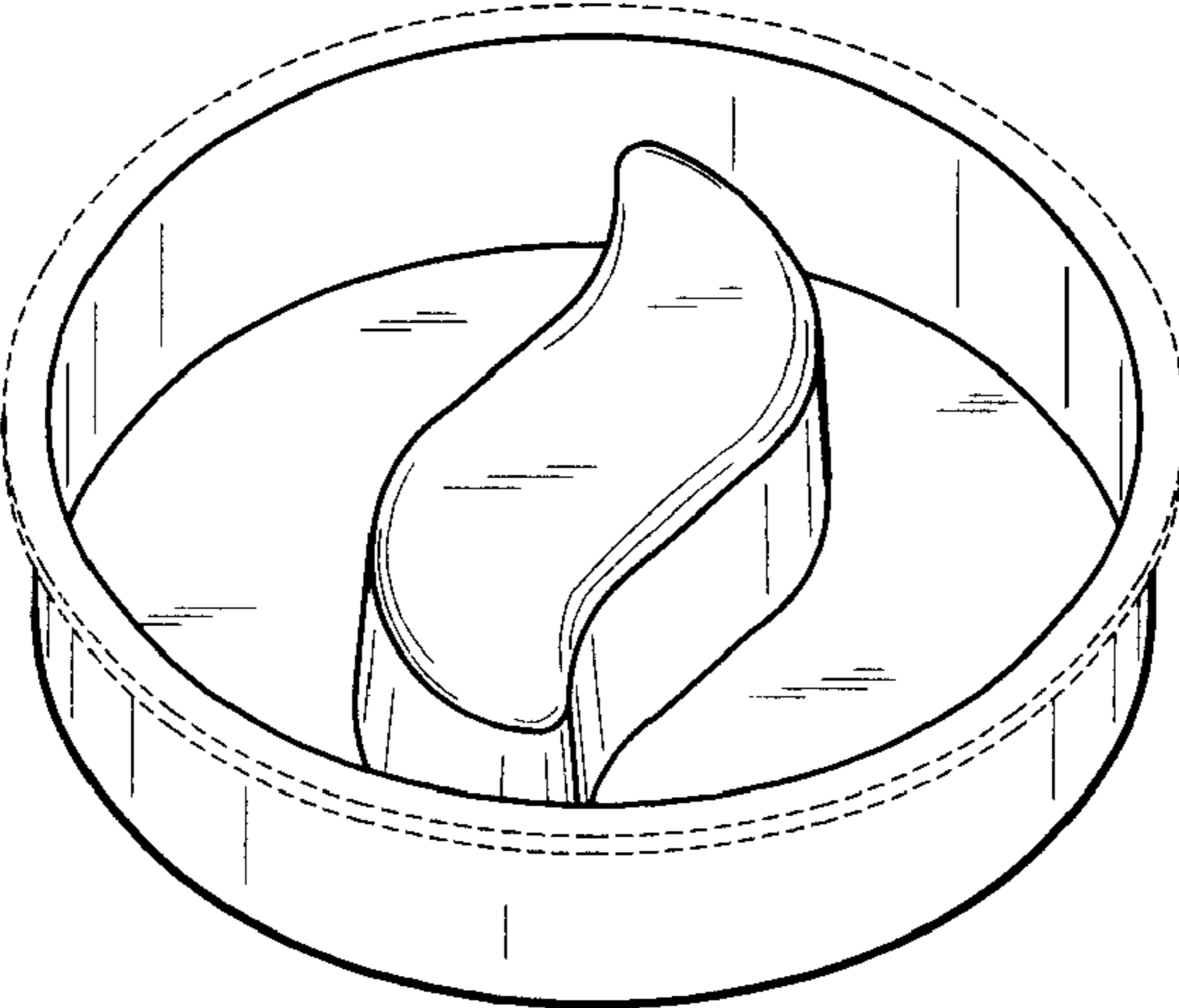


FIG. 1

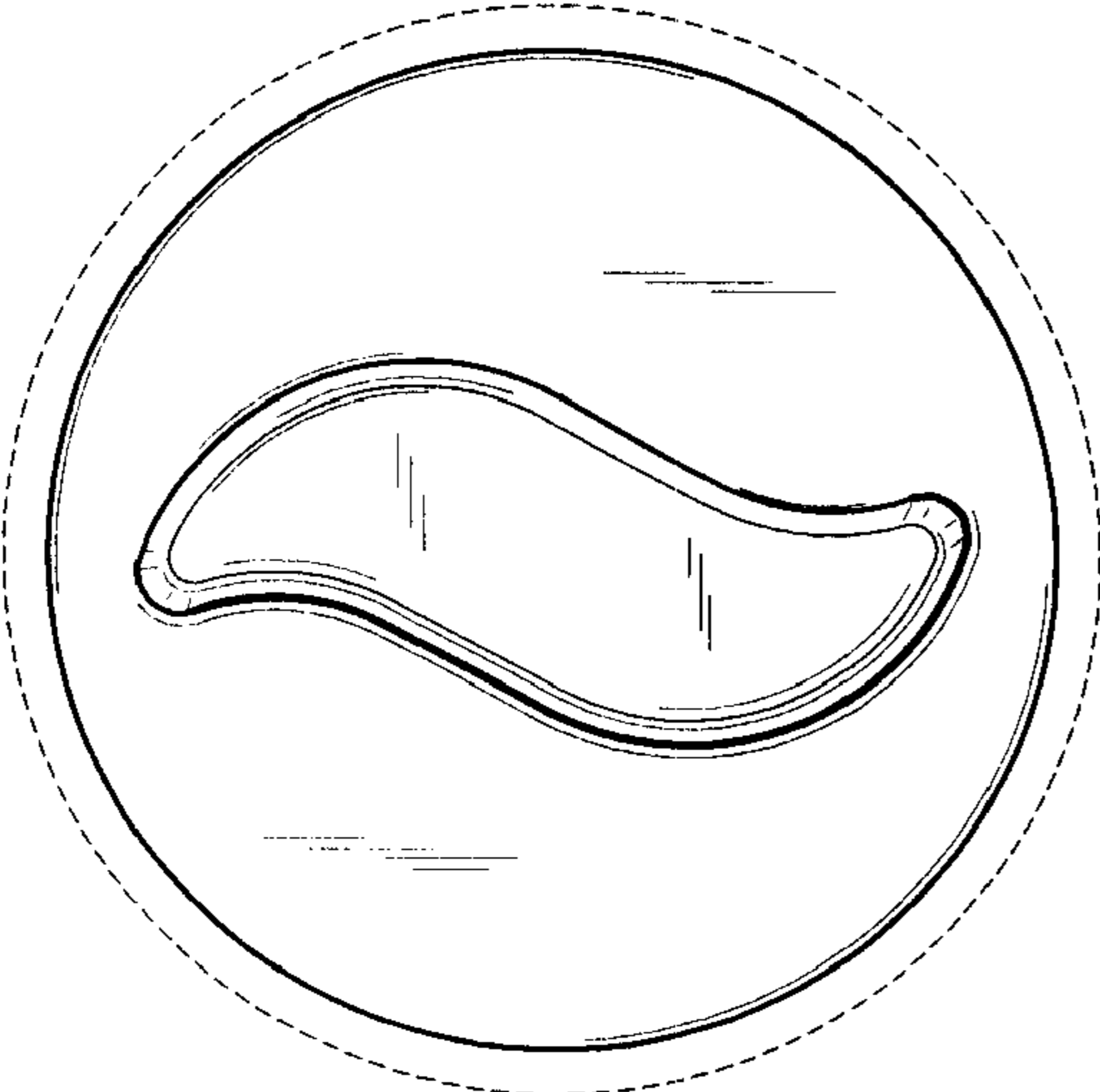


FIG. 2

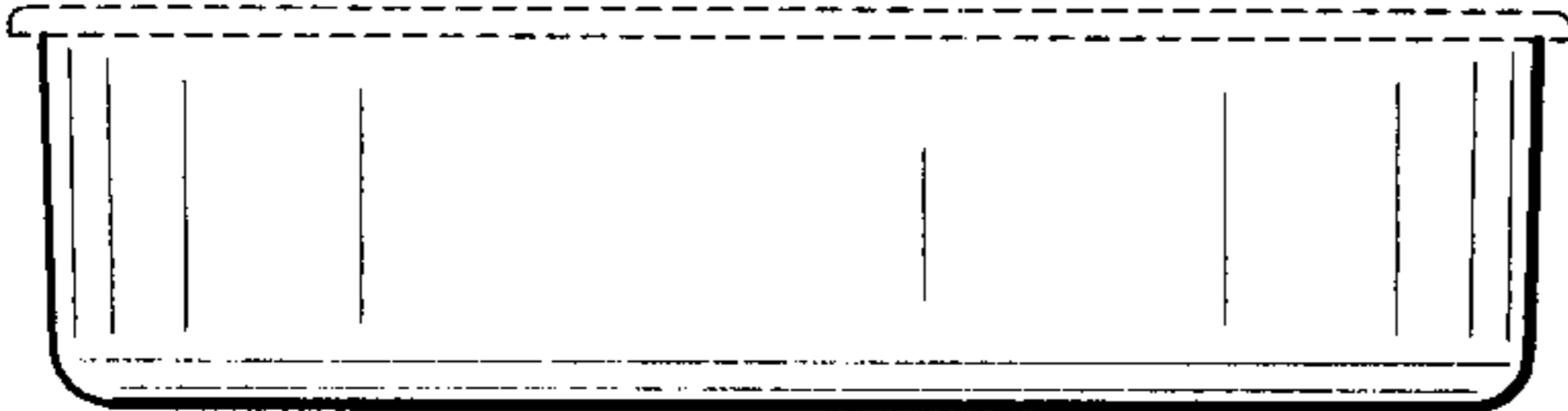


FIG. 3

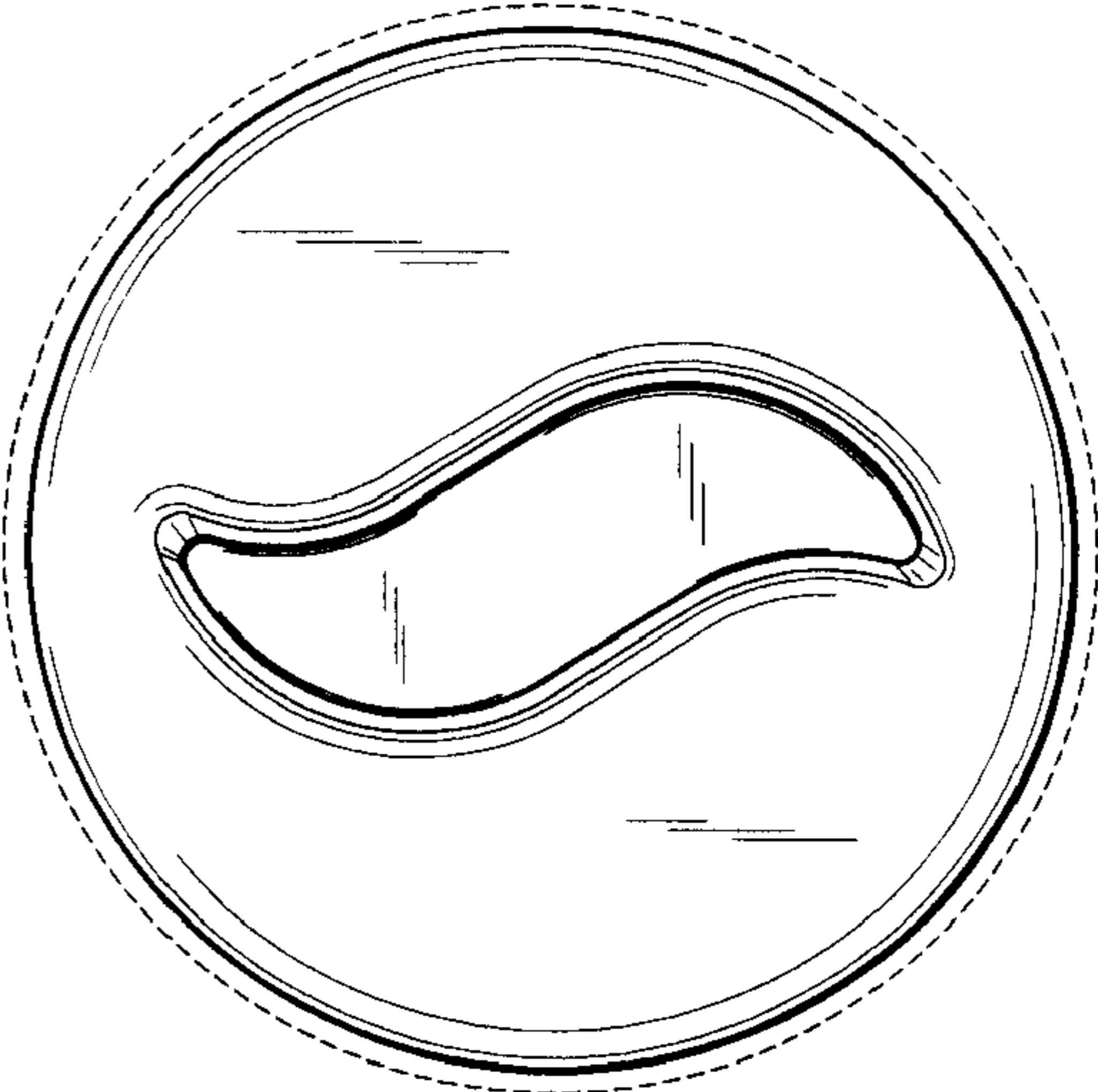


FIG. 4