

US00D513984S

(12) **United States Design Patent**  
**Erdie**

(10) **Patent No.:** **US D513,984 S**  
(45) **Date of Patent:** **\*\* Jan. 31, 2006**

(54) **END CAP FOR A PAPER TUBE**

D374,623 S \* 10/1996 Rafferty ..... D9/443

(76) **Inventor:** **Jason S. Erdie**, 4181 Humphrey Rd.,  
Richfield, OH (US) 44286

\* cited by examiner

(\*\*) **Term:** **14 Years**

*Primary Examiner*—Robert M. Spear  
*Assistant Examiner*—Susan Bennett Hattan  
(74) *Attorney, Agent, or Firm*—Rankin, Hill, Porter &  
Clark LLP

(21) **Appl. No.:** **29/225,302**

(22) **Filed:** **Mar. 14, 2005**

(57) **CLAIM**

(51) **LOC (8) Cl.** ..... **09-07**

The ornamental design for an end cap for a paper tube, as shown and described.

(52) **U.S. Cl.** ..... **D9/439**

(58) **Field of Classification Search** ..... D9/711,  
D9/708, 545, 544, 537, 530, 524, 522, 516,  
D9/499, 454, 449, 446, 443, 439, 435, 434,  
D9/424; D23/260, 261; 285/901; 215/323,  
215/200, 355; 220/698, 702, 298, 233, 253,  
220/293, 300

**DESCRIPTION**

See application file for complete search history.

FIG. 1 is a perspective view of an end cap for a paper tube showing my new design.

FIG. 2 is a top view of the end cap of FIG. 1.

FIG. 3 is a front side view of the end cap of FIG. 1, with the right, back and left side views being identical to the front side view; and,

FIG. 4 is a bottom view of the end cap of FIG. 1.

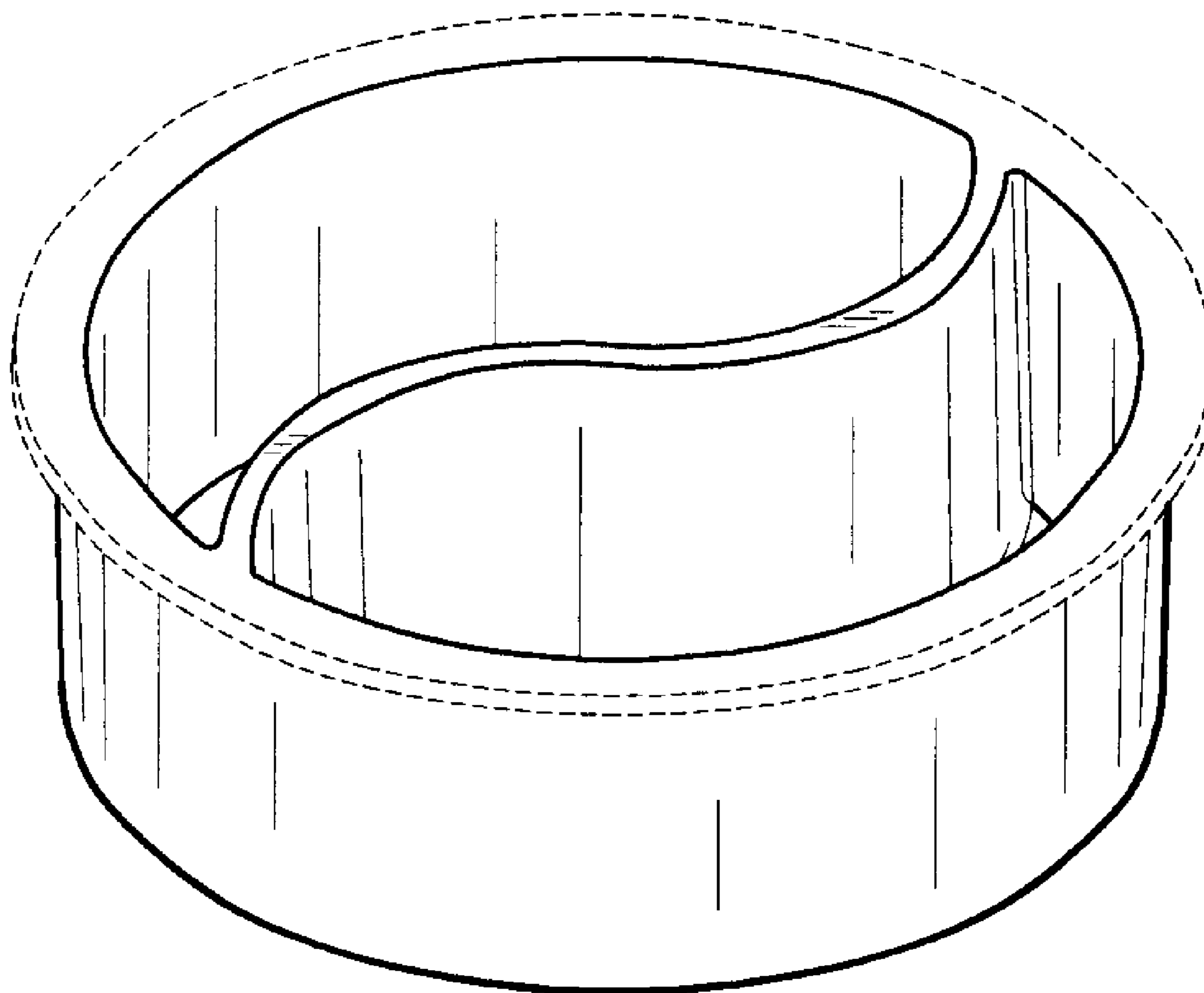
The matter shown in broken lines in the figures is present solely to indicate an exemplary perimeter rim of the end cap, and does not form part of the design.

(56) **References Cited**

**U.S. PATENT DOCUMENTS**

165,962 A \* 7/1875 Stevens et al. .... 215/200  
680,125 A \* 8/1901 Colorem ..... 285/901

**1 Claim, 1 Drawing Sheet**



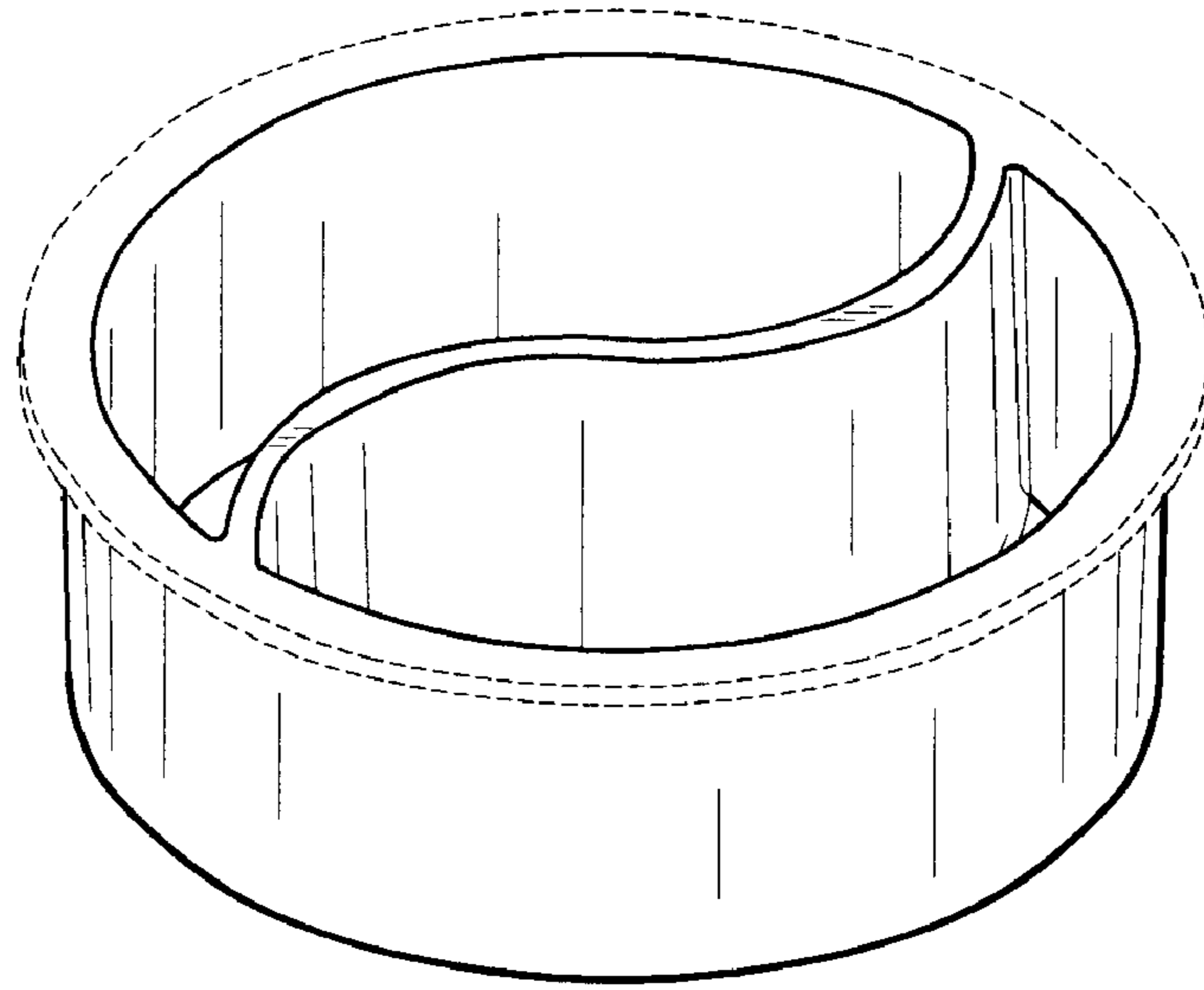


FIG. 1

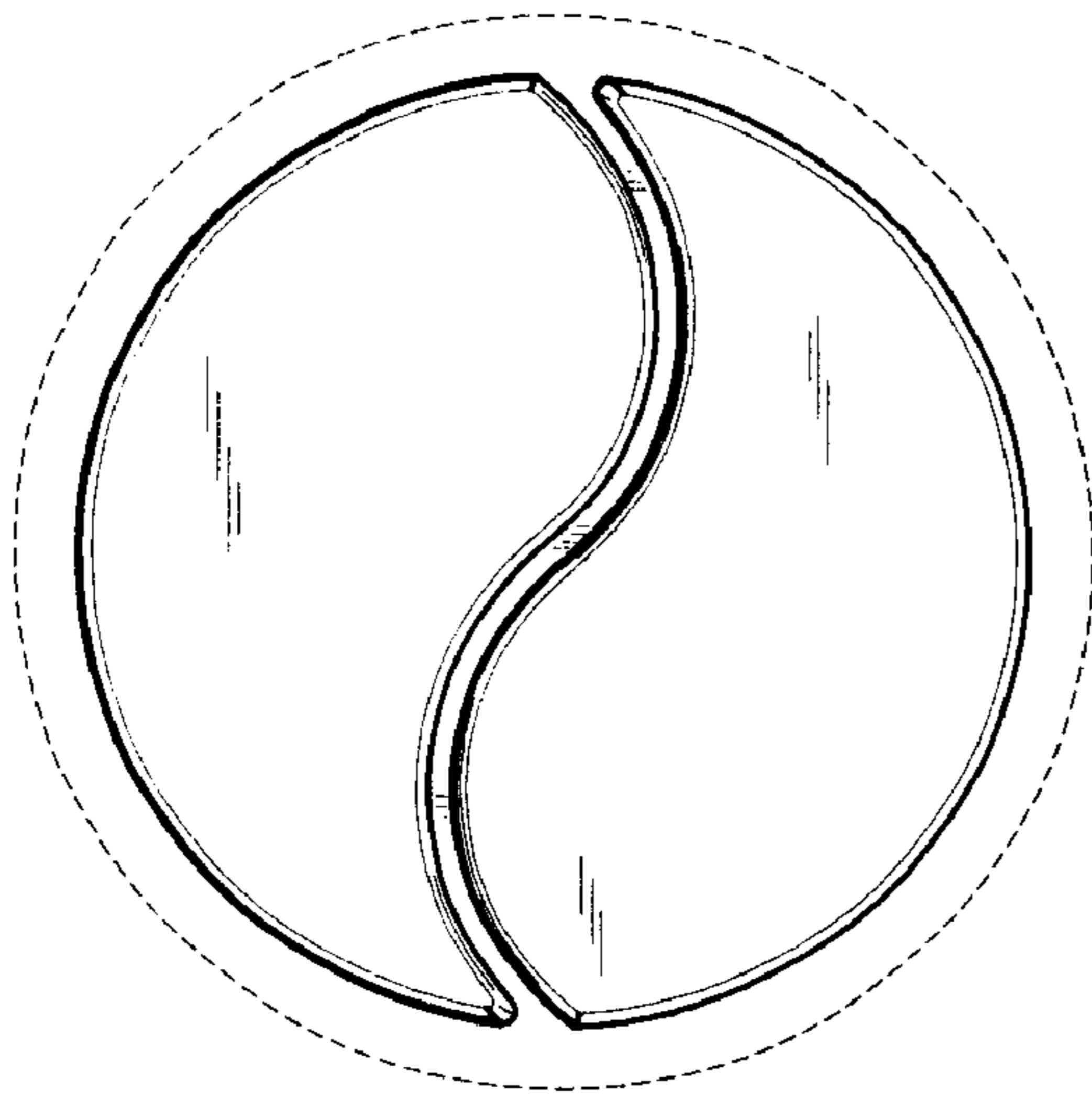


FIG. 2

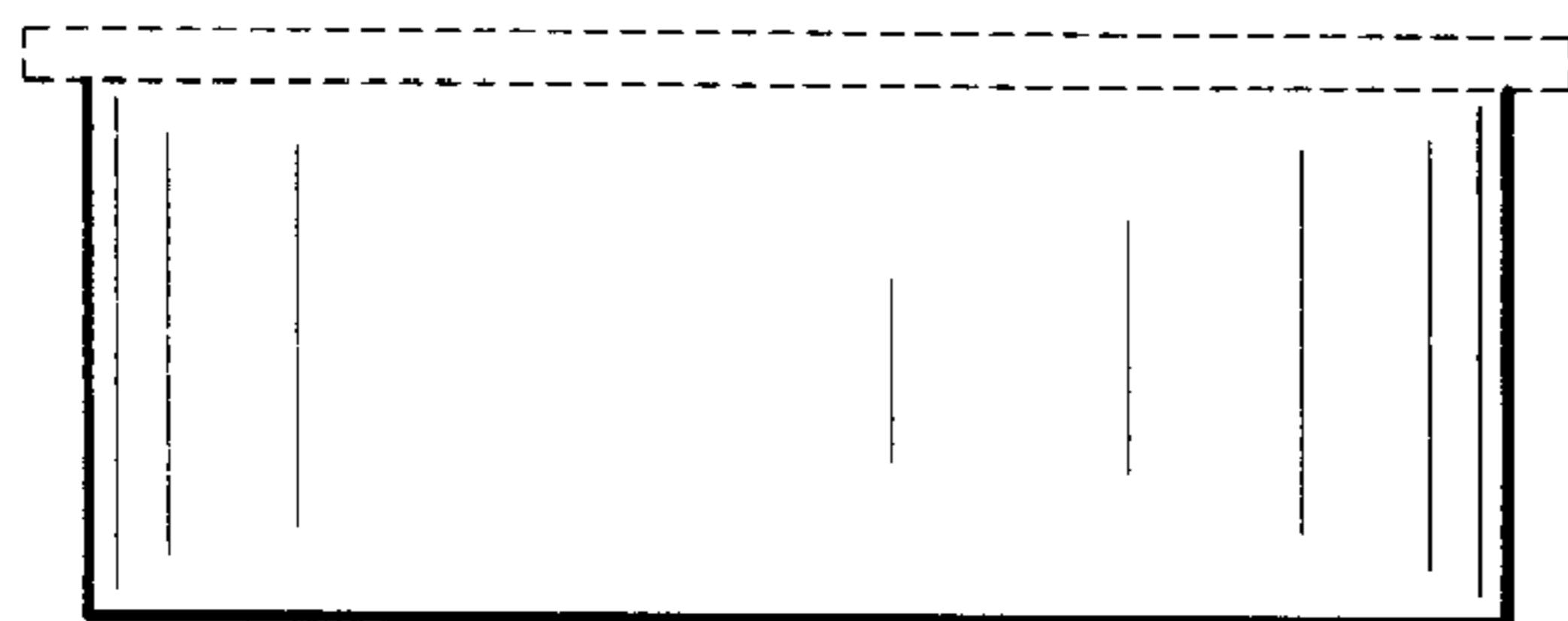


FIG. 3

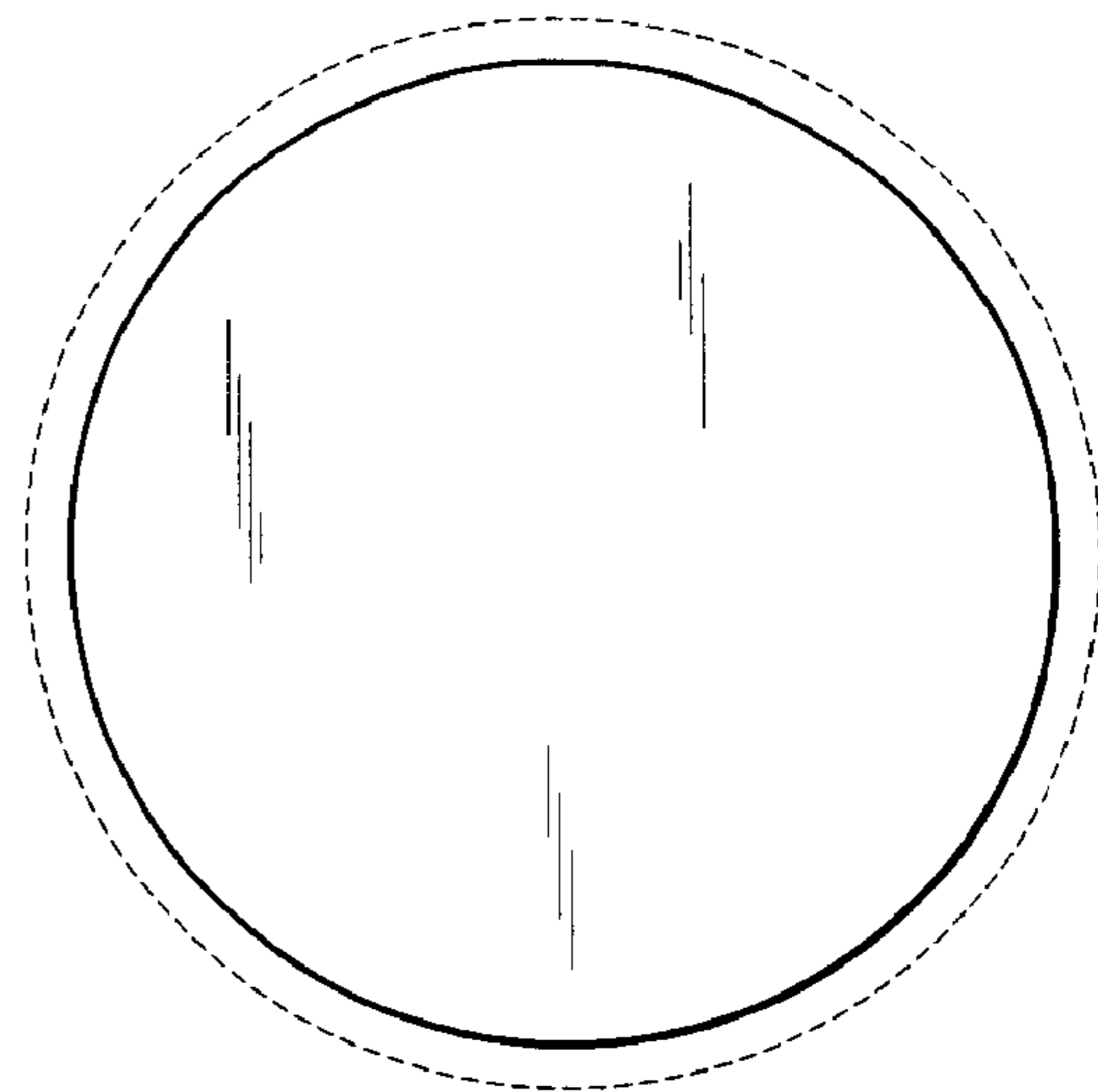


FIG. 4