



US00D513983S

(12) **United States Design Patent**
Erdie

(10) **Patent No.:** **US D513,983 S**
(45) **Date of Patent:** **** Jan. 31, 2006**

(54) **END CAP FOR A PAPER TUBE**

D320,942 S * 10/1991 Lillelund et al. D9/434
6,820,767 B2 * 11/2004 Nicholas 222/132

(76) **Inventor:** **Jason S. Erdie**, 4181 Humphrey Rd.,
Richfield, OH (US) 44286

* cited by examiner

(**) **Term:** **14 Years**

Primary Examiner—Robert M. Spear
Assistant Examiner—Susan Bennett Hattan

(21) **Appl. No.:** **29/225,301**

(74) *Attorney, Agent, or Firm*—Rankin, Hill, Porter &
Clark LLP

(22) **Filed:** **Mar. 14, 2005**

(57) **CLAIM**

(51) **LOC (8) Cl.** **09-07**

The ornamental design for an end cap for a paper tube, as
shown and described.

(52) **U.S. Cl.** **D9/439**

(58) **Field of Classification Search** D9/711,
D9/708, 545, 544, 537, 530, 524, 522, 516,
D9/499, 454, 449, 446, 443, 439, 435, 434,
D9/424; D23/260, 261; 285/901; 215/323,
215/200, 355; 220/698, 702, 298, 233, 253,
220/293, 300; D28/76; 222/132

DESCRIPTION

See application file for complete search history.

FIG. 1 is a perspective view of an end cap for a paper tube
showing my new design.

FIG. 2 is a top view of the end cap of FIG. 1.

FIG. 3 is a front side view of the end cap of FIG. 1, with the
right, back and left side views being identical to the front
side view; and,

FIG. 4 is a bottom view of the end cap of FIG. 1.

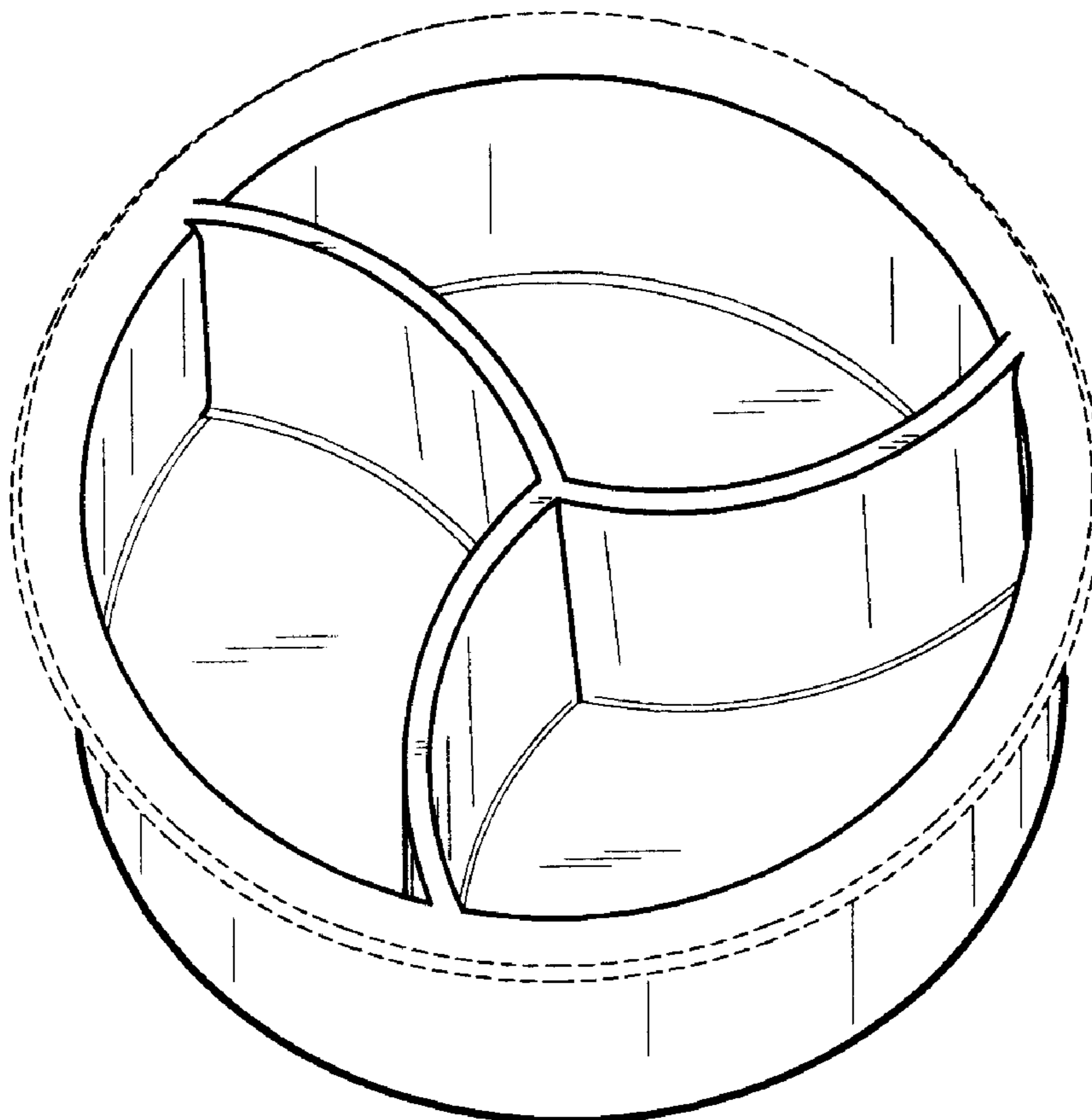
The matter shown in broken lines in the figures is present
solely to indicate an exemplary perimeter rim of the end cap,
and does not form part of the design.

(56) **References Cited**

U.S. PATENT DOCUMENTS

D72,249 S * 3/1927 Orzo D28/76
1,776,813 A * 9/1930 Luchs 215/200
D257,057 S * 9/1980 Logsdon D23/260
D277,458 S * 2/1985 Neggers D9/443

1 Claim, 1 Drawing Sheet



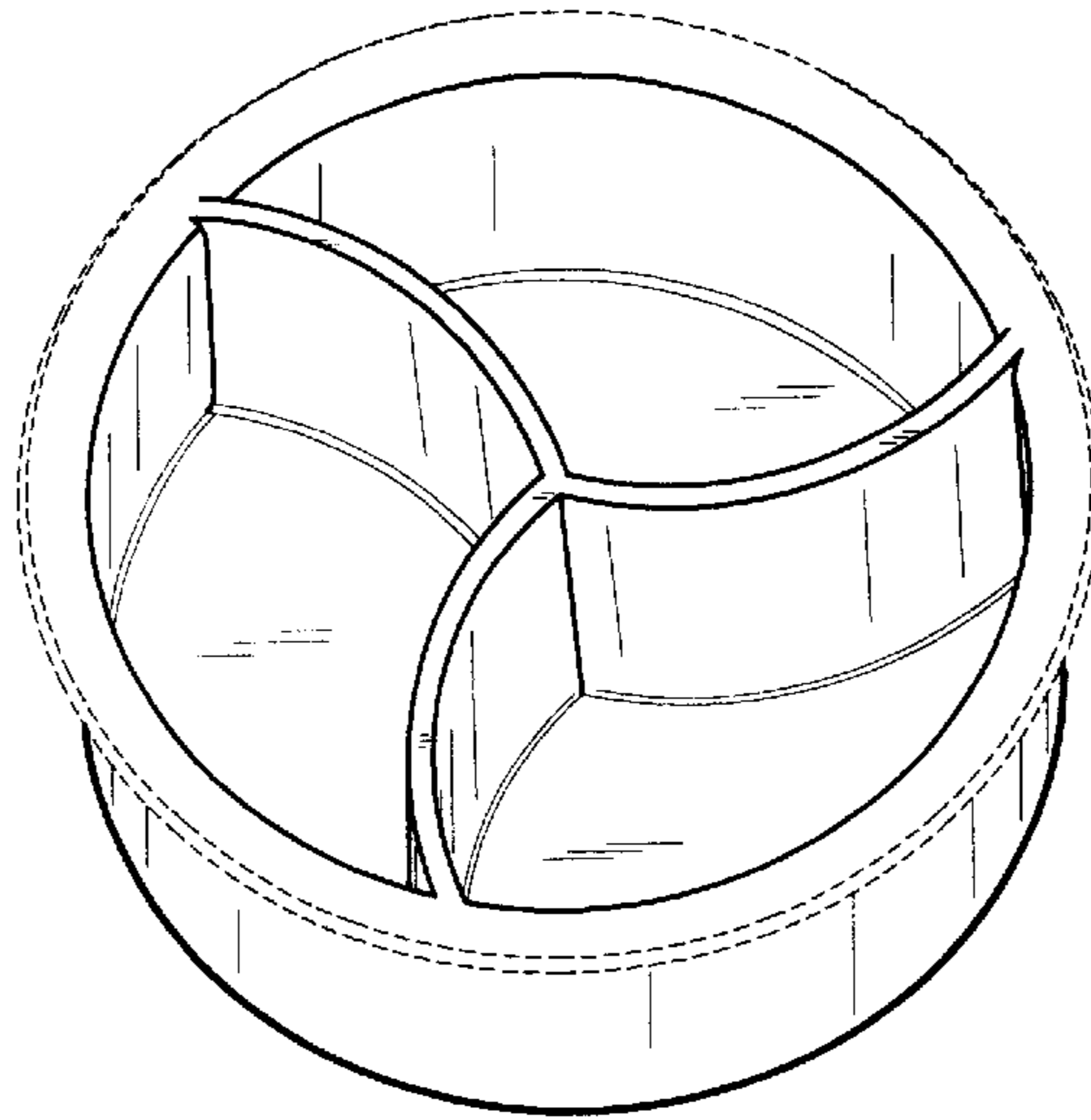


FIG. 1

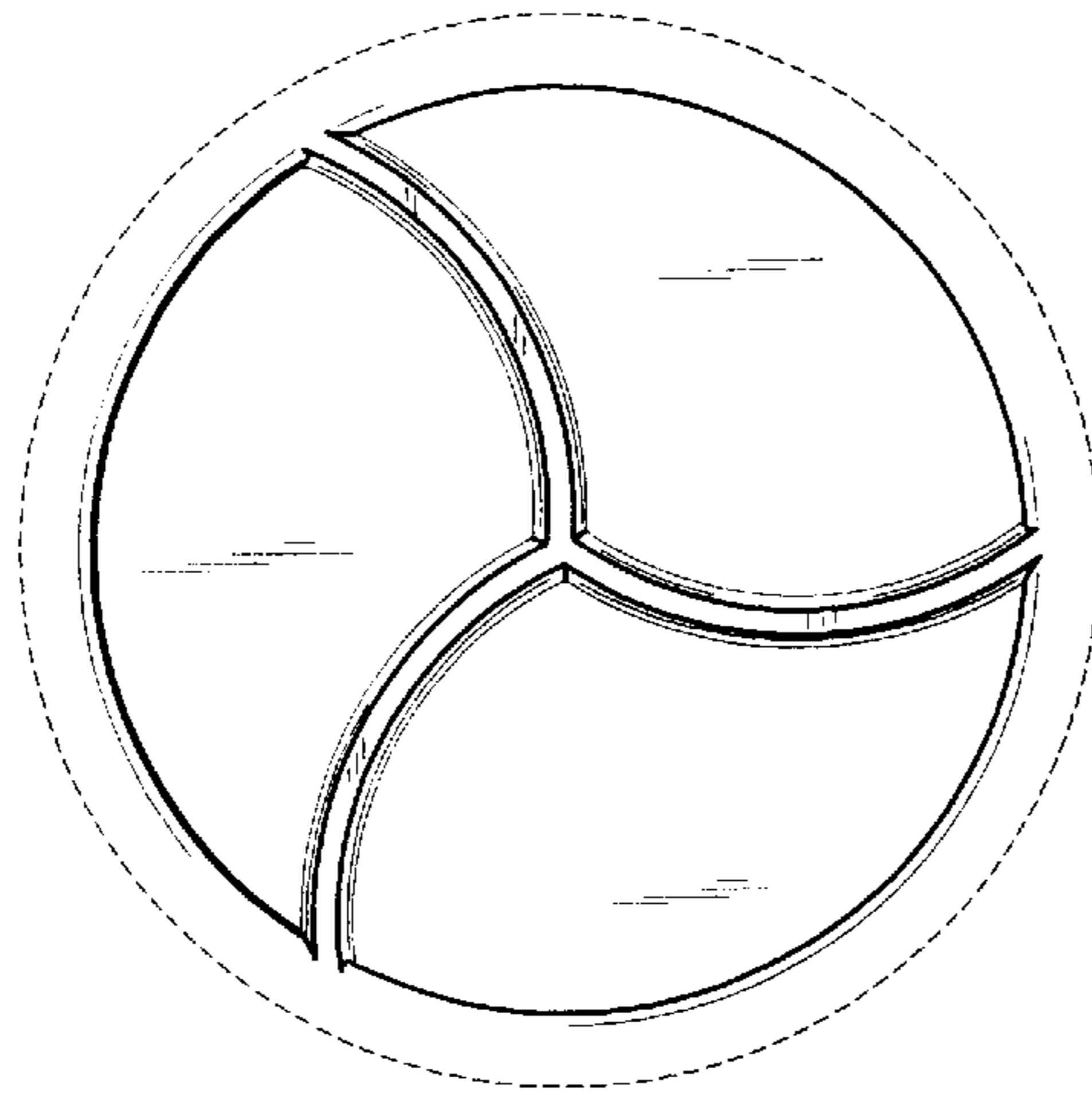


FIG. 2

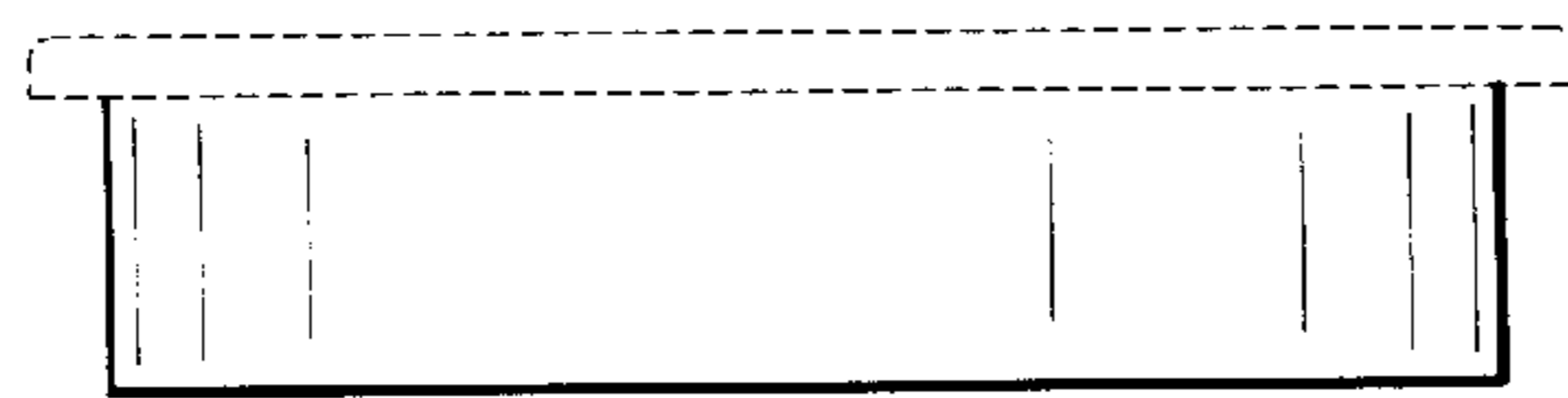


FIG. 3

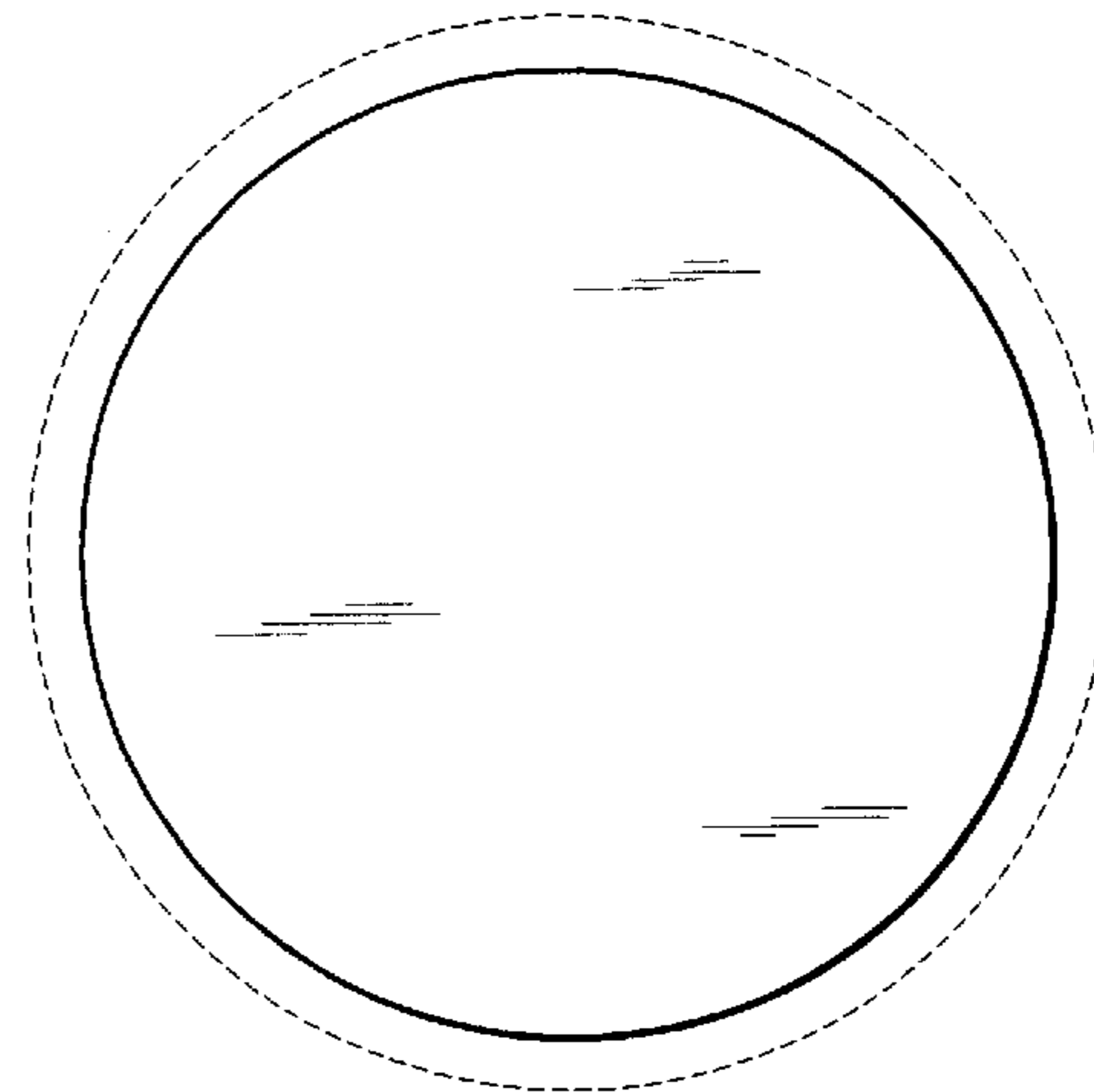


FIG. 4