



US00D513976S

(12) **United States Design Patent**
Milan

(10) **Patent No.:** **US D513,976 S**
(45) **Date of Patent:** **** Jan. 31, 2006**

- (54) **PACKAGE FOR COMPUTER CABLE**
- (76) Inventor: **Henry Milan**, 1709 Apple Ridge Ct.,
Rochester Hills, MI (US) 48306
- (**) Term: **14 Years**
- (21) Appl. No.: **29/189,066**
- (22) Filed: **Aug. 28, 2003**
- (51) **LOC (8) Cl.** **09-03**
- (52) **U.S. Cl.** **D9/415; D9/418**
- (58) **Field of Classification Search** D9/414-416,
D9/418, 424, 425, 457, 347, 750, 751, 756-762;
D10/113, 114; 206/461-471, 806, 701, 702,
206/710, 711, 495
See application file for complete search history.

- D406,753 S 3/1999 Lee
- D408,280 S 4/1999 Manley et al.
- D412,843 S 8/1999 Melzer
- D414,410 S 9/1999 Klein et al.
- D418,408 S 1/2000 Humphrey
- 6,026,961 A 2/2000 McCarthy et al.
- D427,061 S 6/2000 Nicksich
- D429,149 S 8/2000 Humphrey
- D431,459 S 10/2000 Lee
- D433,325 S 11/2000 Humphrey
- D434,316 S * 11/2000 Simmers D9/415
- D447,408 S 9/2001 Humphrey
- D462,612 S 9/2002 Milan
- D468,635 S 1/2003 Milan
- D478,000 S * 8/2003 Milan D9/415
- D478,001 S * 8/2003 Milan D9/415
- D481,628 S * 11/2003 Milan D9/415
- D481,629 S * 11/2003 Milan D9/415
- D484,044 S * 12/2003 Milan D9/415

(56) **References Cited**

U.S. PATENT DOCUMENTS

- 3,434,591 A 3/1969 Hanscom
- D234,122 S * 1/1975 Horblitt D9/415
- 4,285,157 A 8/1981 Lambert
- D261,988 S 11/1981 Nichols et al.
- D285,905 S 9/1986 Segal
- 4,613,038 A 9/1986 Kirk
- 4,637,516 A 1/1987 de Roure
- D306,561 S 3/1990 Lee
- D328,249 S 7/1992 Lee
- D332,216 S 1/1993 Lee et al.
- D332,398 S 1/1993 Lee et al.
- D349,239 S 8/1994 Steenland
- D351,342 S 10/1994 Lee et al.
- D370,626 S 6/1996 Pass et al.
- D372,193 S 7/1996 Lee
- D380,963 S 7/1997 Lee
- D384,579 S 10/1997 Lee
- D389,402 S 1/1998 Lee
- 5,738,209 A 4/1998 Burr et al.
- D396,632 S 8/1998 Lee
- D400,096 S 10/1998 Lee
- D405,367 S 2/1999 Lee et al.
- D405,368 S 2/1999 Lee
- D405,688 S 2/1999 Lee et al.

* cited by examiner

Primary Examiner—Stella Reid
Assistant Examiner—Mark A. Goodwin
(74) *Attorney, Agent, or Firm*—Butzel Long

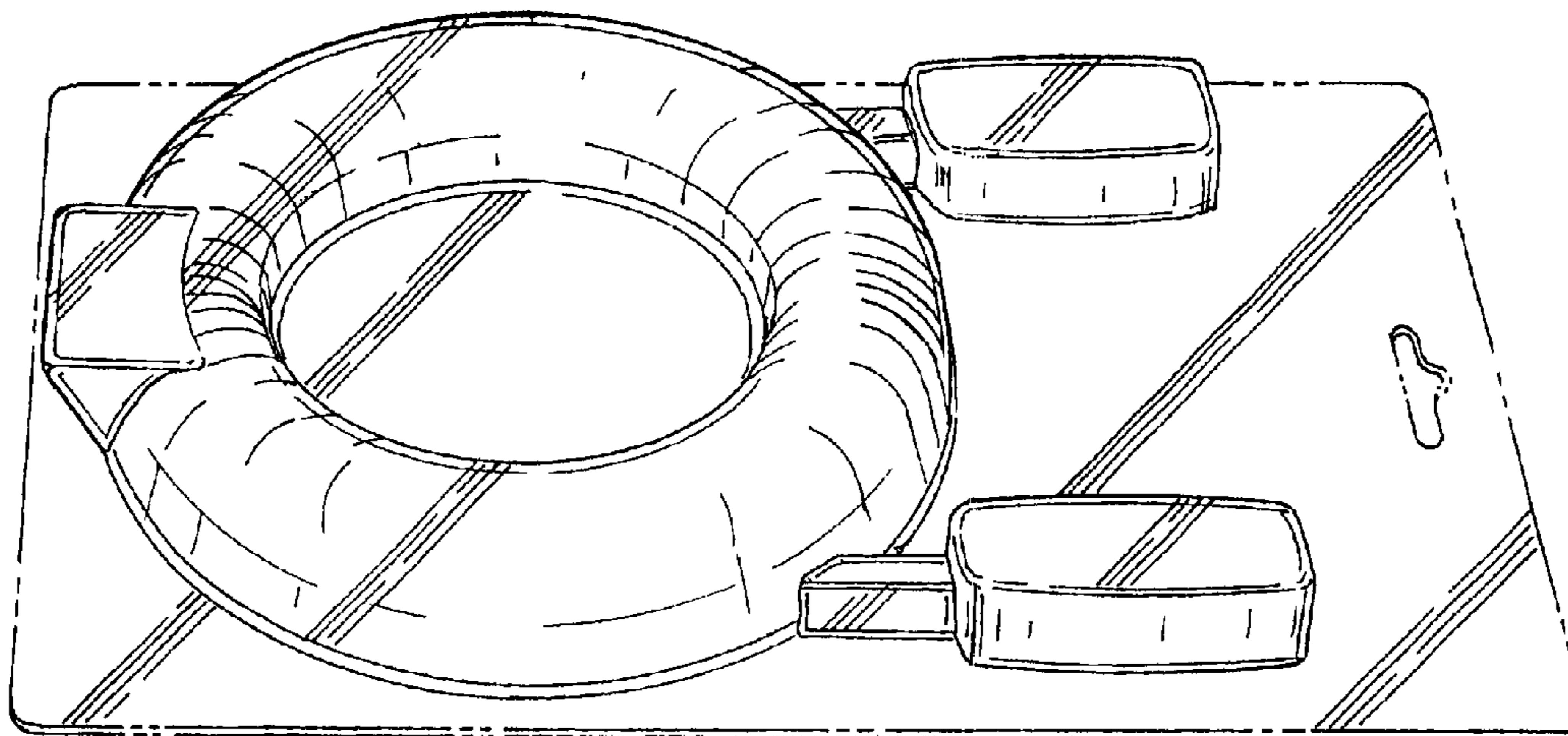
(57) **CLAIM**

The ornamental design for a package for computer cable, as shown and described.

DESCRIPTION

FIG. 1 is a perspective view disclosing an embodiment of a blister package for a computer cable incorporating my new design;
FIG. 2 is a top plan view thereof;
FIG. 3 is a left side elevational view thereof;
FIG. 4 is a right side elevational view thereof;
FIG. 5 is a front elevational view thereof;
FIG. 6 is a rear elevational view thereof; and,
FIG. 7 is a top plan view of an alternate embodiment of my design as illustrated in FIGS. 1-6.
The broken line showing in the views is for illustrative purposes only and forms no part of the claimed design.

1 Claim, 4 Drawing Sheets



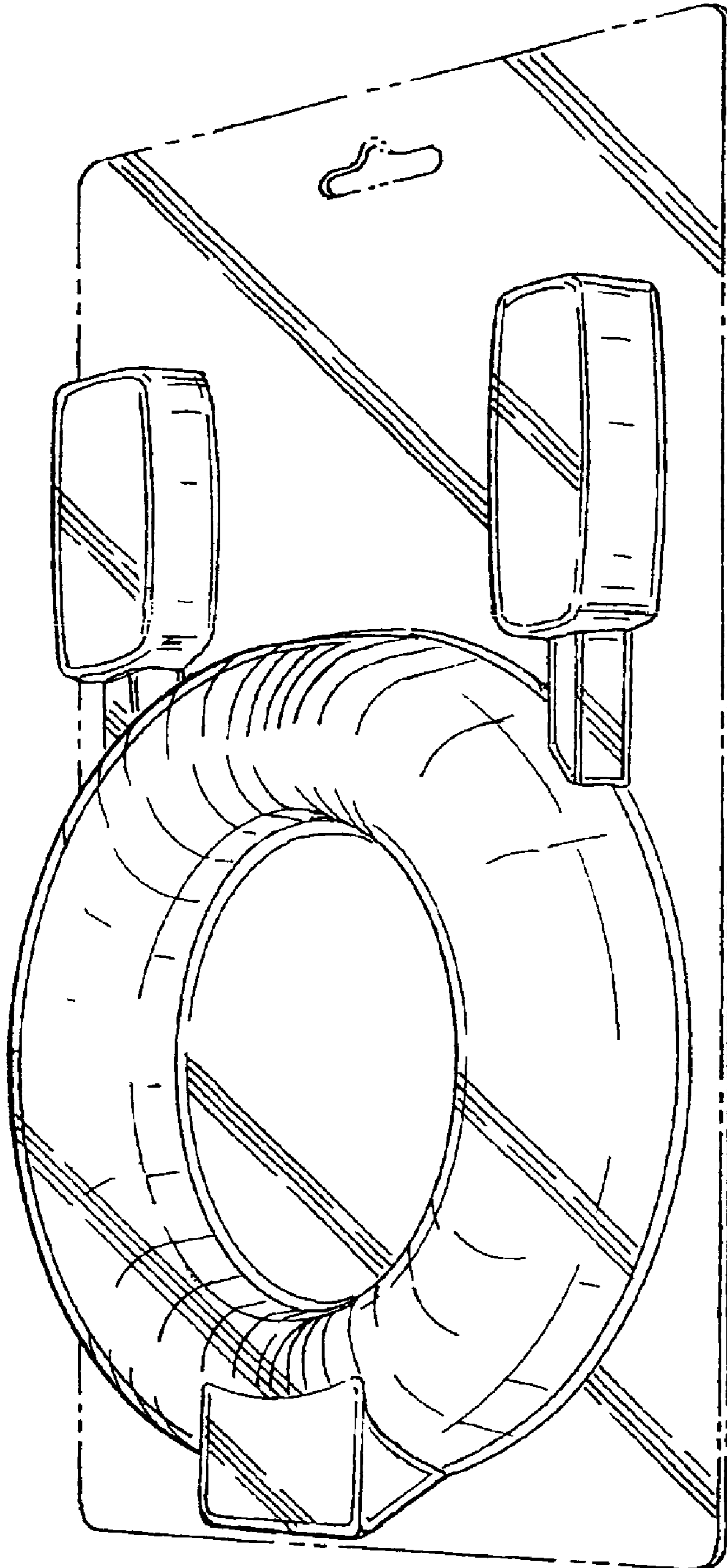


FIG. 1

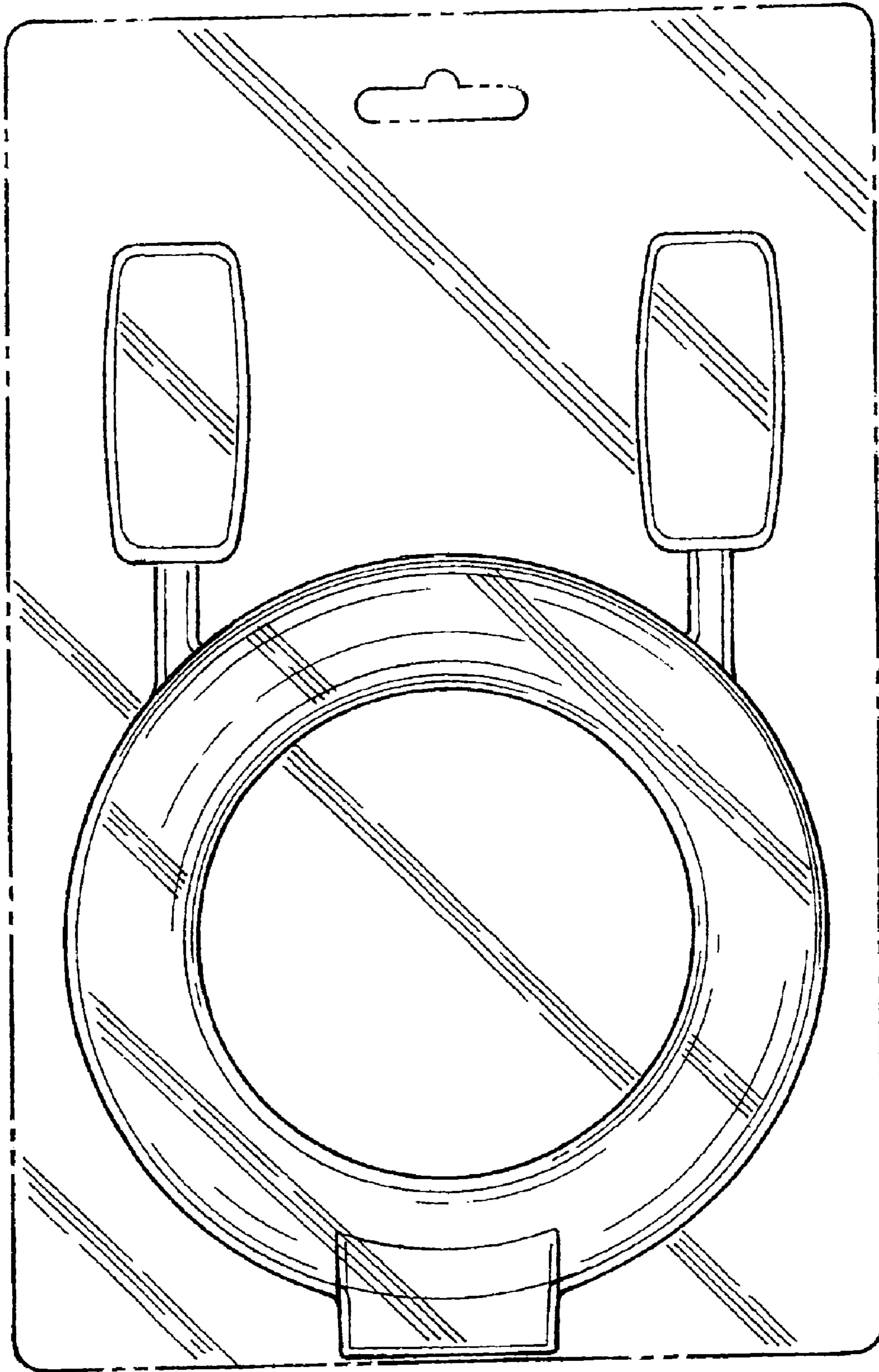


FIG. 2

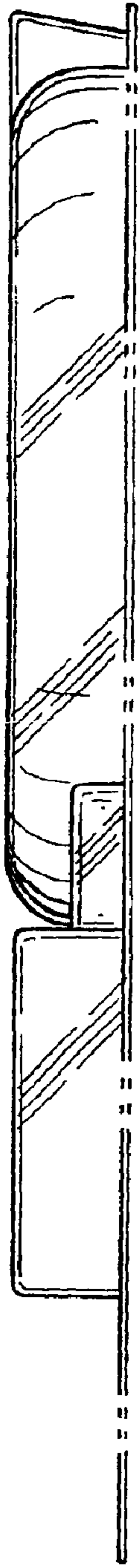


FIG. 3

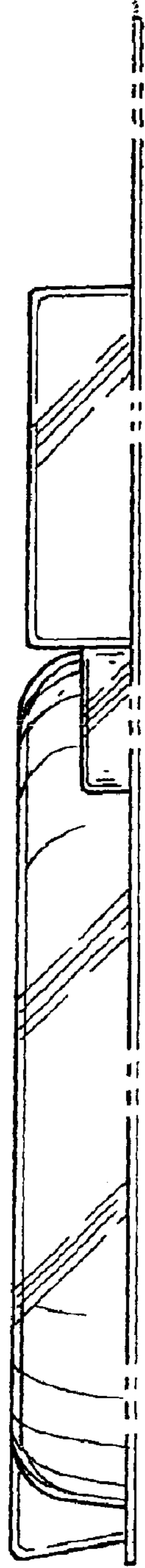


FIG. 4

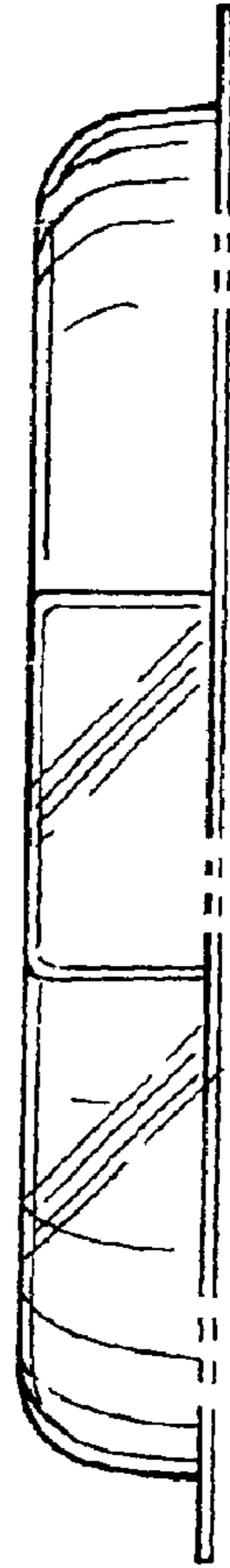


FIG. 5



FIG. 6

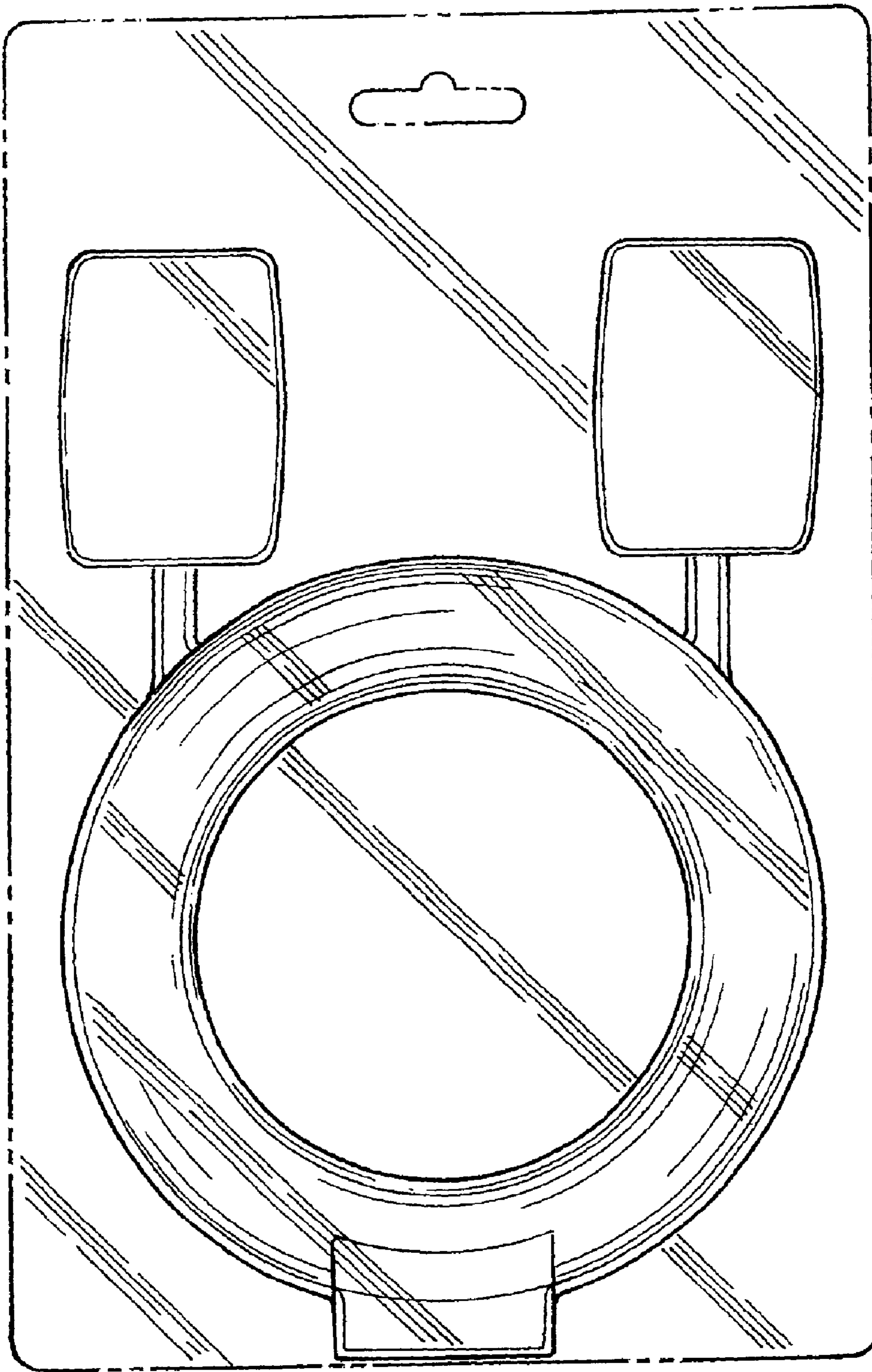


FIG. 7