



US00D513973S

(12) **United States Design Patent**
Cheung

(10) **Patent No.:** **US D513,973 S**

(45) **Date of Patent:** **** Jan. 31, 2006**

(54) **BINDING STRAP**

(76) **Inventor:** **Yingfai Cheung**, 1930 New Ave., #G,
San Gabriel, CA (US) 91776

(**) **Term:** **14 Years**

(21) **Appl. No.:** **29/200,827**

(22) **Filed:** **Mar. 5, 2004**

(51) **LOC (8) Cl.** **08-08**

(52) **U.S. Cl.** **D8/394; D8/396**

(58) **Field of Classification Search** D8/356,
D8/383, 394, 396; 24/16 PB, 17 AP, 30.5 P,
24/30.5 S, 300-302, 339, DIG. 16; 248/58,
248/60, 74.3

See application file for complete search history.

(56) **References Cited**

U.S. PATENT DOCUMENTS

3,979,094 A * 9/1976 DeWitt 248/60

4,342,438 A * 8/1982 Speedie 248/73
D383,379 S * 9/1997 Keegan D8/394
D477,212 S * 7/2003 Ellery D8/380

* cited by examiner

Primary Examiner—Louis S. Zarfaz

Assistant Examiner—John Windmuller

(74) *Attorney, Agent, or Firm*—Raymond Y. Chan; David &
Raymond

(57) **CLAIM**

The ornamental design for a binding strap, as shown.

DESCRIPTION

FIG. 1 is a perspective view showing my new design.

FIG. 2 is a left end view thereof.

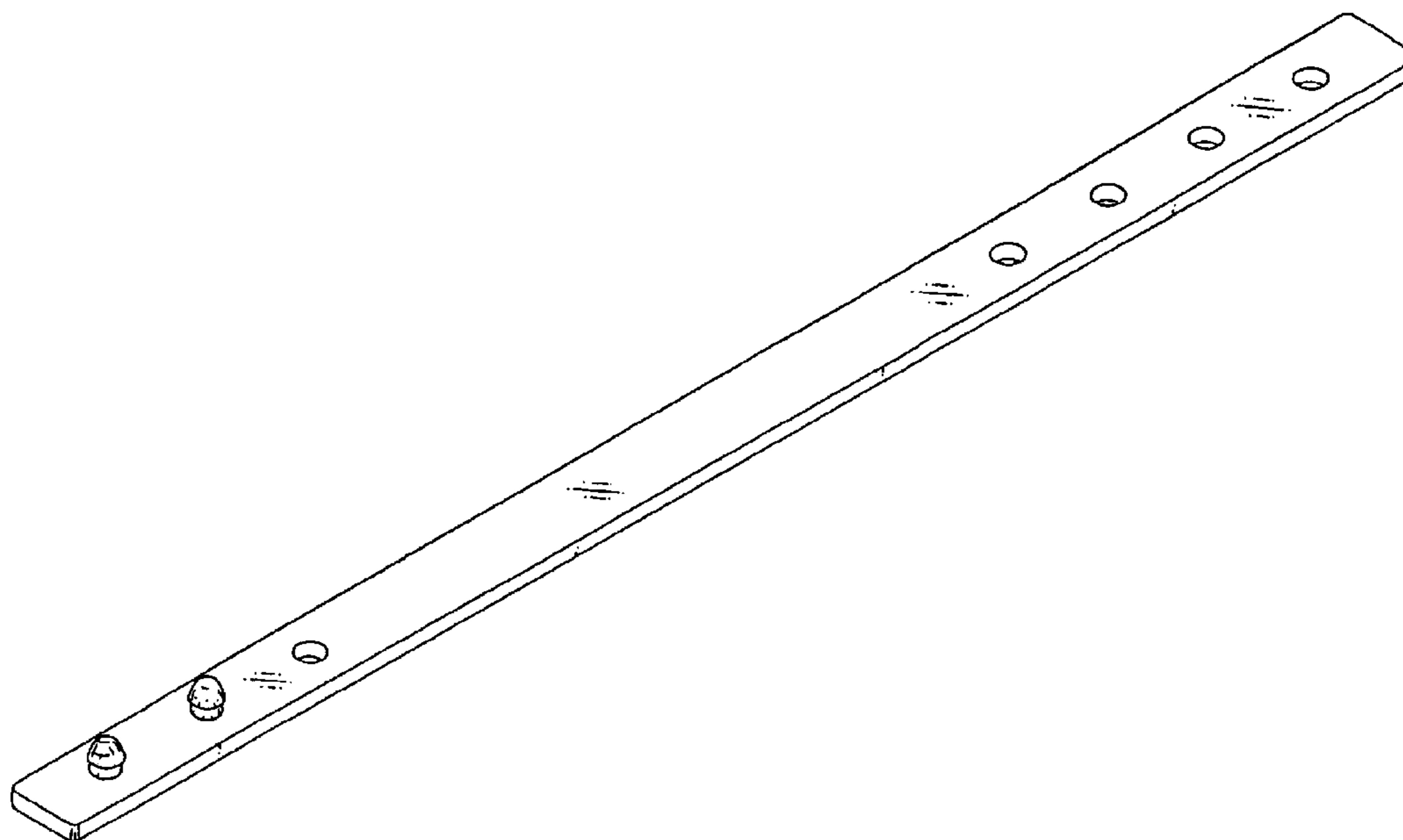
FIG. 3 is a right end view thereof.

FIG. 4 is a front view thereof.

FIG. 5 is a top view thereof; and,

FIG. 6 is a bottom view thereof.

1 Claim, 6 Drawing Sheets



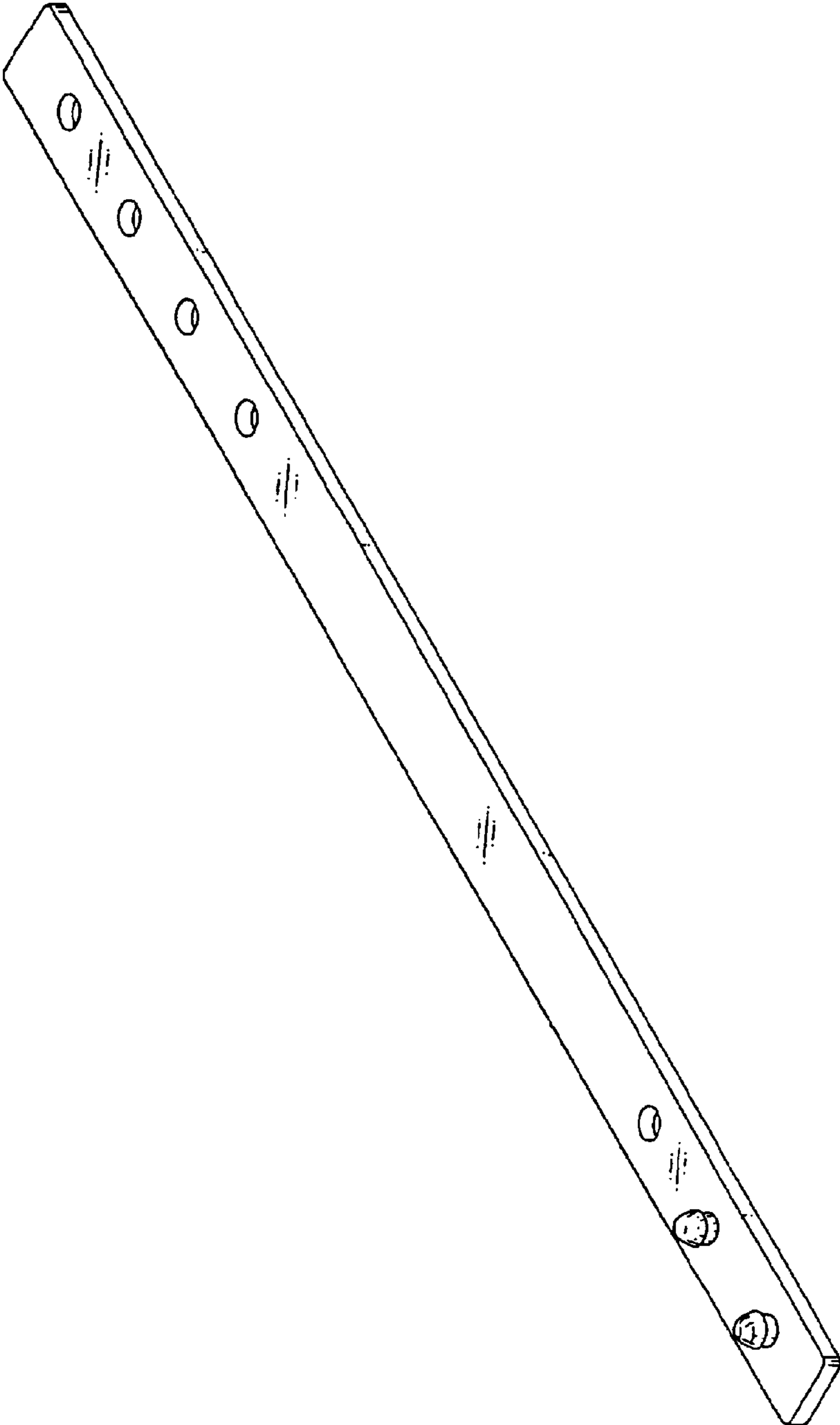


FIG. 1



FIG. 2



FIG. 3



FIG. 4

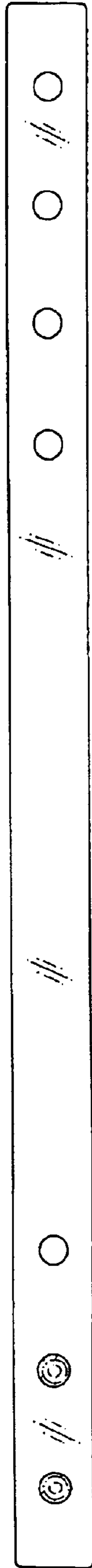


FIG. 5



FIG. 6