



US00D513972S

(12) **United States Design Patent**
Goldberg

(10) **Patent No.:** **US D513,972 S**
(45) **Date of Patent:** **** Jan. 31, 2006**

(54) **HEART SHAPED COBRA CLIP**

Primary Examiner—Holly H. Baynham

(75) Inventor: **Edward Goldberg**, Teaneck, NJ (US)

(74) *Attorney, Agent, or Firm*—Kaplan & Gilman, LLP;
Michael R. Gilman

(73) Assignee: **Forever Green Holdings LLC**,
Woodbridge, NJ (US)

(**) Term: **14 Years**

(57) **CLAIM**

The ornamental design for a heart shaped cobra clip, as shown and described.

(21) Appl. No.: **29/196,004**

(22) Filed: **Dec. 19, 2003**

DESCRIPTION

(51) **LOC (8) Cl.** **08-08**

FIG. 1 is a perspective view of the heart shaped cobra clip according to my design;

(52) **U.S. Cl.** **D8/383**

FIG. 2 is a front elevational view of my design;

(58) **Field of Classification Search** D8/383,

FIG. 3 is a rear elevational view of my design;

D8/394–395; D19/65; D3/211, 219; D11/14,

FIG. 4 is a left side view of my design;

D11/56, 81, 111, 178, 157, 70; D21/380,

FIG. 5 is a right side view of my design;

D21/506

FIG. 6 is a top plan view of my design;

See application file for complete search history.

FIG. 7 is a bottom view of my design; and,

(56) **References Cited**

FIG. 8 is a perspective view of a second embodiment of my design, wherein the left, right, top and bottom views are the same as shown in FIGS. 4–7 of the above first embodiment and the front and rear elevational views will be identical, except opposite.

U.S. PATENT DOCUMENTS

The broken lines shown on the drawings are for illustrative purposes only and form no part of the claimed design.

D302,831 S * 8/1989 Lau D19/65

D475,743 S * 6/2003 Huang D19/65

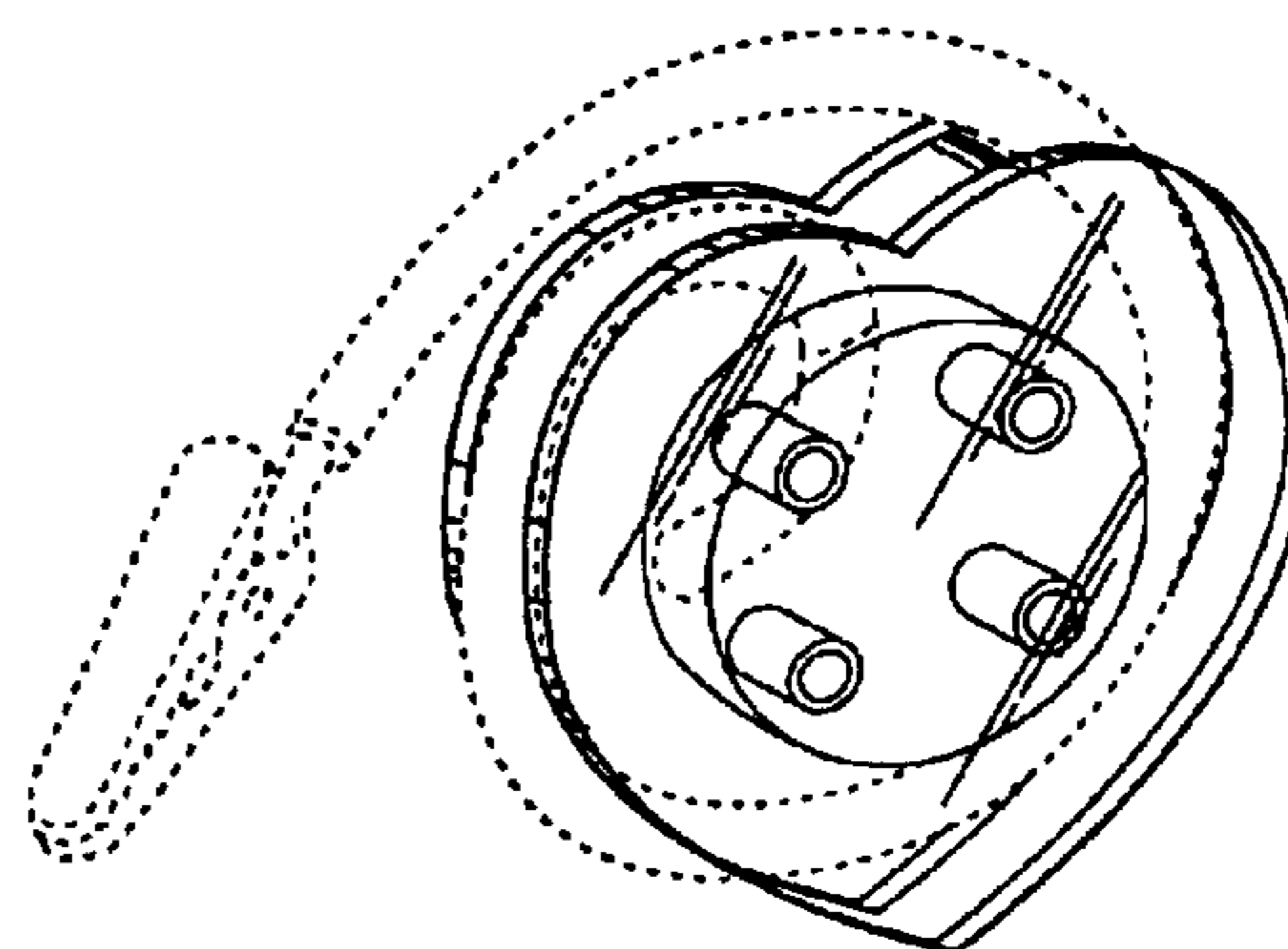
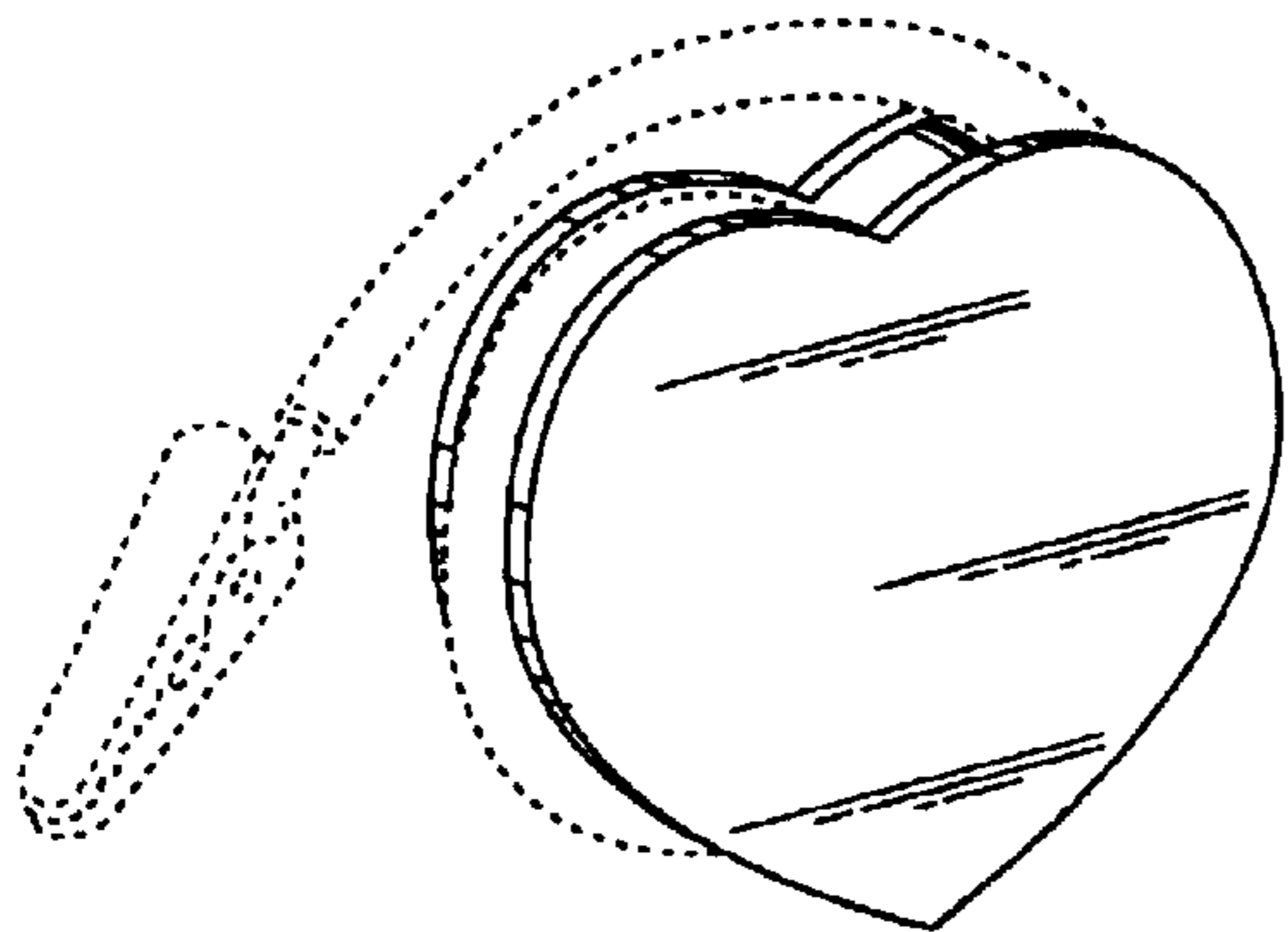
D477,775 S * 7/2003 Adams et al. D8/395

D477,987 S * 8/2003 Adams et al. D8/395

D482,268 S * 11/2003 Kushner D8/394

* cited by examiner

1 Claim, 2 Drawing Sheets



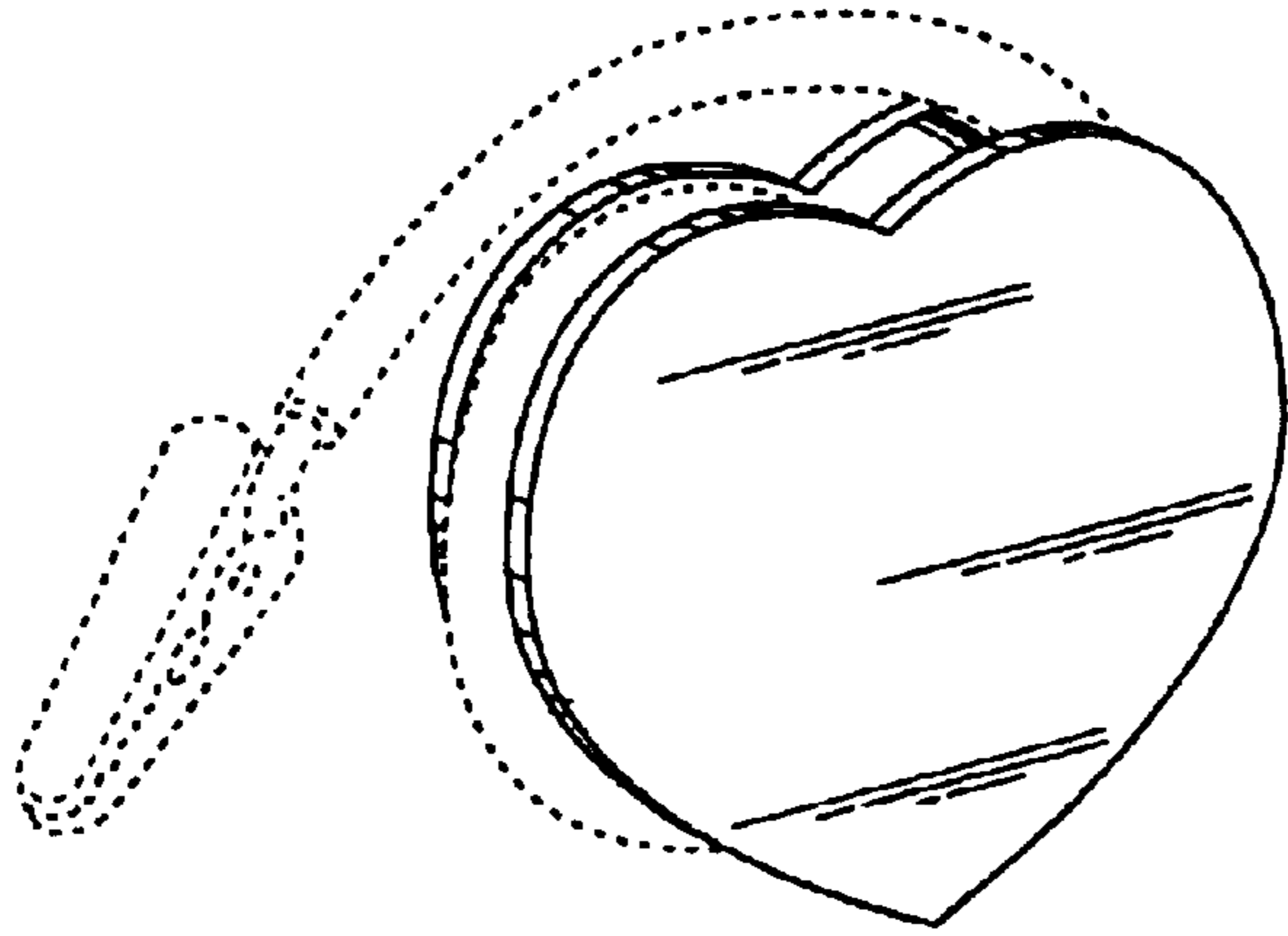


FIG. 1

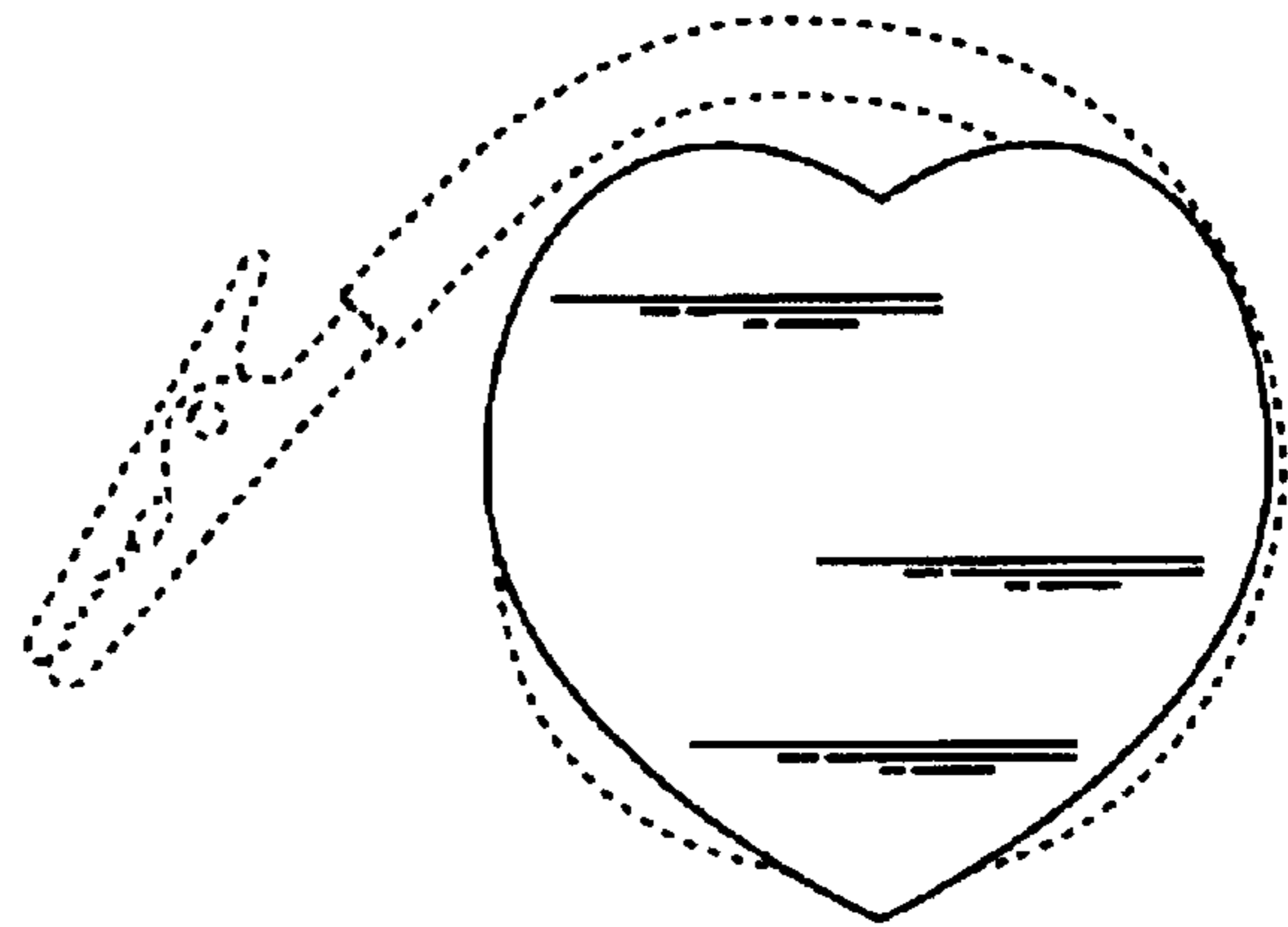


FIG. 2

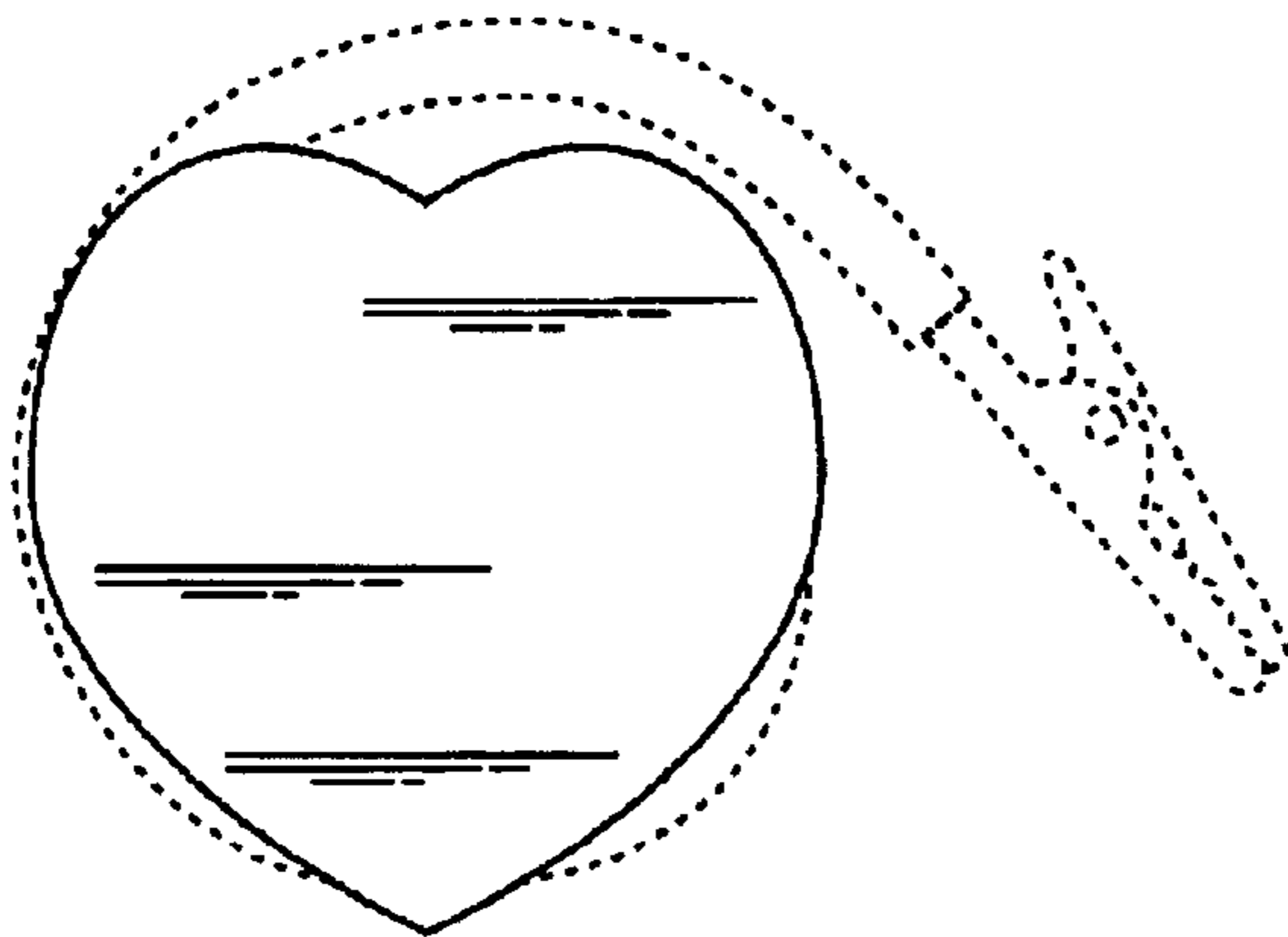


FIG. 3

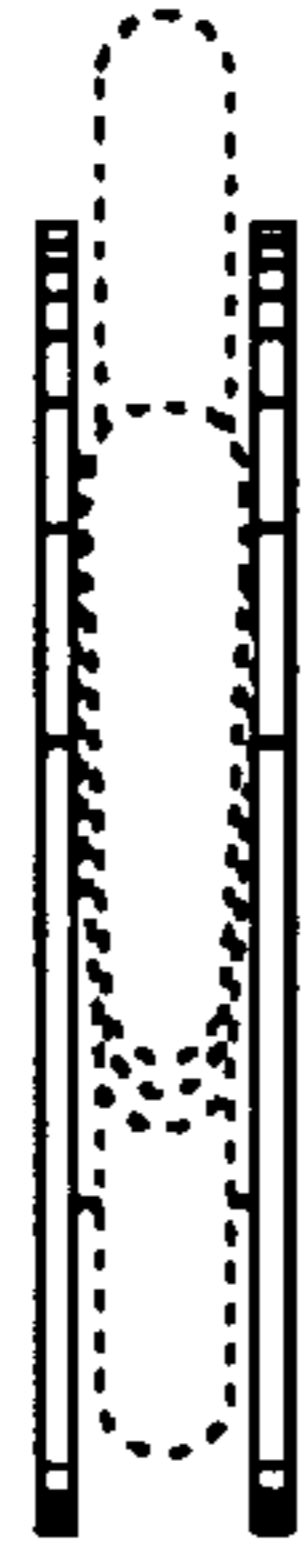


FIG. 4

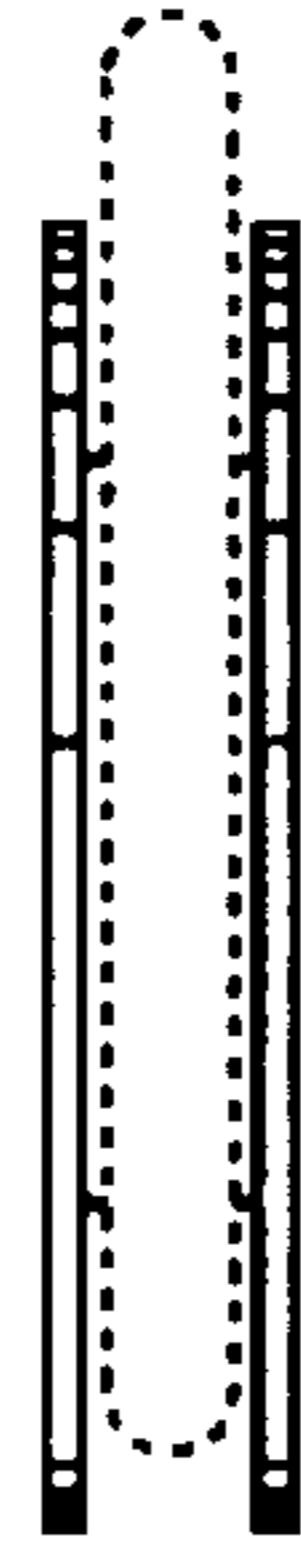


FIG. 5



FIG. 6

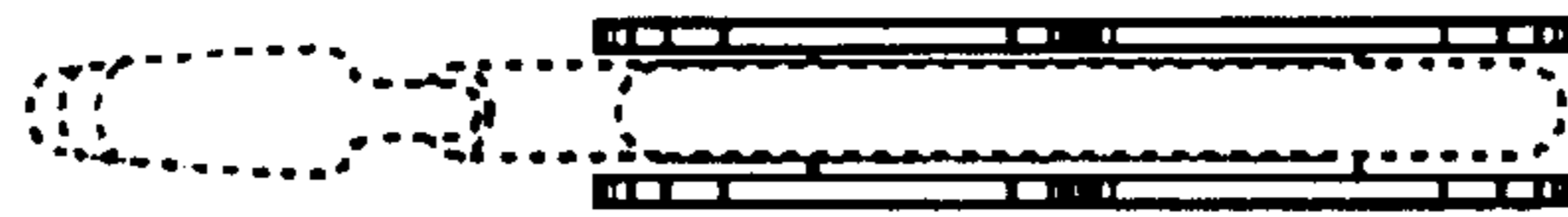


FIG. 7

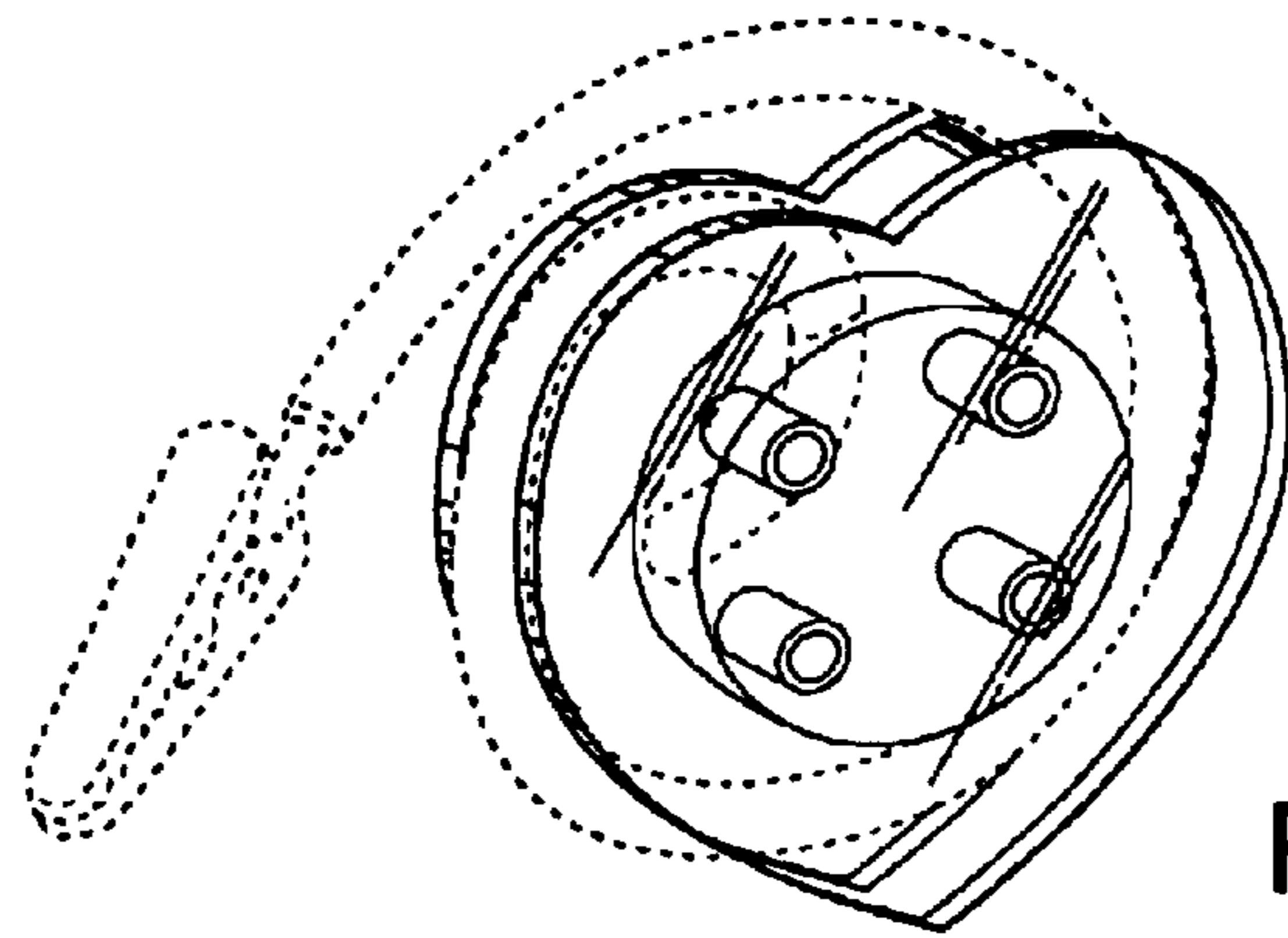


FIG. 8