



US00D513971S

(12) **United States Design Patent**  
**Gaster**

(10) **Patent No.:** **US D513,971 S**

(45) **Date of Patent:** **\*\* Jan. 31, 2006**

(54) **PIVOTAL STRAP CLAMP FOR  
RESTRAINING A VEHICLE WHEEL**

D328,840 S \* 8/1992 Jensen ..... D8/58  
6,171,037 B1 1/2001 Andre  
D491,434 S \* 6/2004 Noniewicz ..... D8/58

(76) Inventor: **Ivan Gaster**, 201 Richard Ct., Union,  
OH (US) 45322

\* cited by examiner

(\*\*) Term: **14 Years**

*Primary Examiner*—Louis S. Zarfes

*Assistant Examiner*—John Windmuller

(21) Appl. No.: **29/188,912**

(74) *Attorney, Agent, or Firm*—Jacox, Meckstroth &  
Jenkins

(22) Filed: **Aug. 27, 2003**

(51) **LOC (8) Cl.** ..... **08-08**

(52) **U.S. Cl.** ..... **D8/383; D8/395**

(58) **Field of Classification Search** ..... D8/44,  
D8/52, 54, 383, 394, 395; D12/51; 24/327,  
24/331, 338, 350, 459; 248/49, 62, 74.1-74.4  
See application file for complete search history.

(57) **CLAIM**

The ornamental design of a pivotal strap clamp for restrain-  
ing a vehicle wheel, as shown and described.

**DESCRIPTION**

FIG. 1 is a perspective view of a pivotal strap clamp for  
restraining a vehicle wheel showing my new design;  
FIG. 2 is a front elevational view thereof;  
FIG. 3 is a top plan view thereof;  
FIG. 4 is a bottom plan view thereof;  
FIG. 5 is a rear elevational view thereof;  
FIG. 6 is a left side elevational view thereof; and,  
FIG. 7 is a right side elevational view thereof.

(56) **References Cited**

**U.S. PATENT DOCUMENTS**

697,127 A \* 4/1902 Bogendoerfer ..... 431/35  
900,034 A \* 9/1908 Newton ..... 24/507  
D163,469 S \* 5/1951 Moody ..... D8/383  
3,705,442 A \* 12/1972 Sygnator ..... 24/573.09  
4,960,353 A 10/1990 Thorndyke  
D319,958 S \* 9/1991 Fletcher ..... D8/52

**1 Claim, 2 Drawing Sheets**

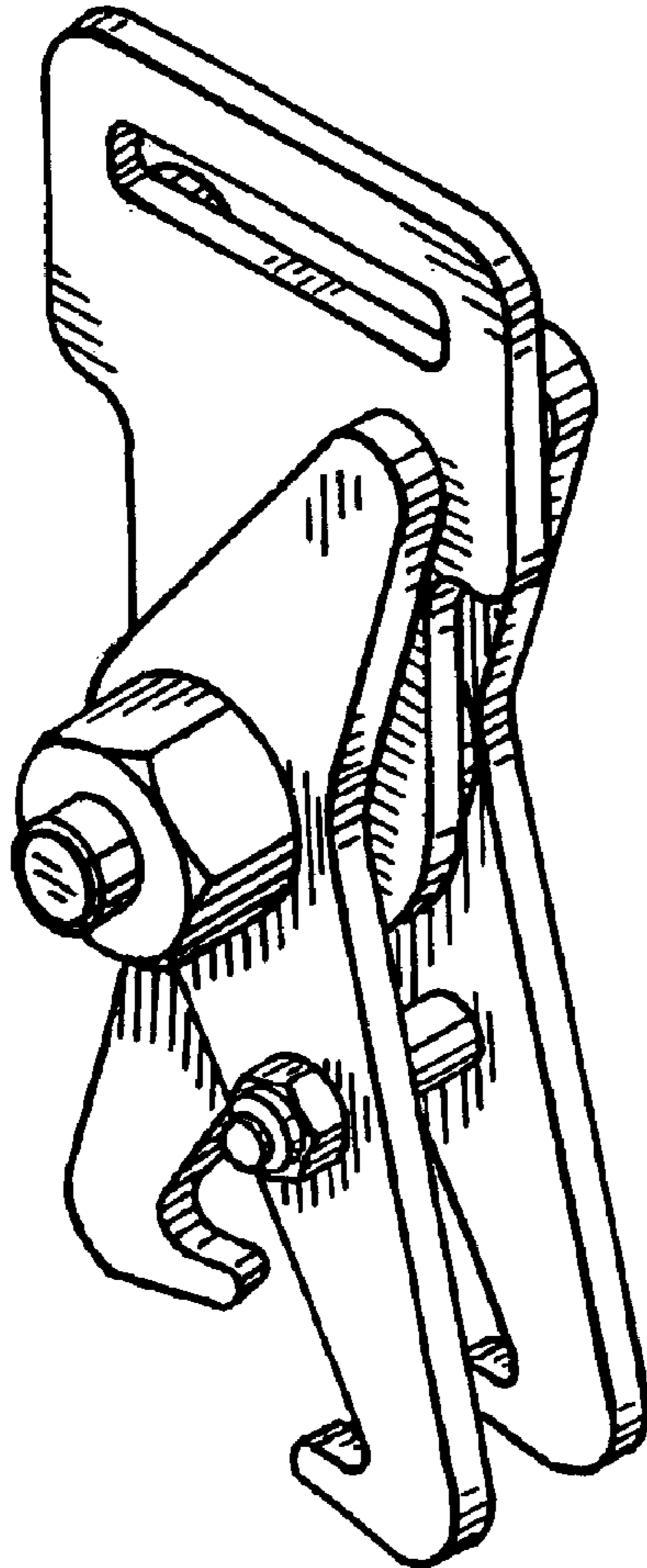


FIG-1

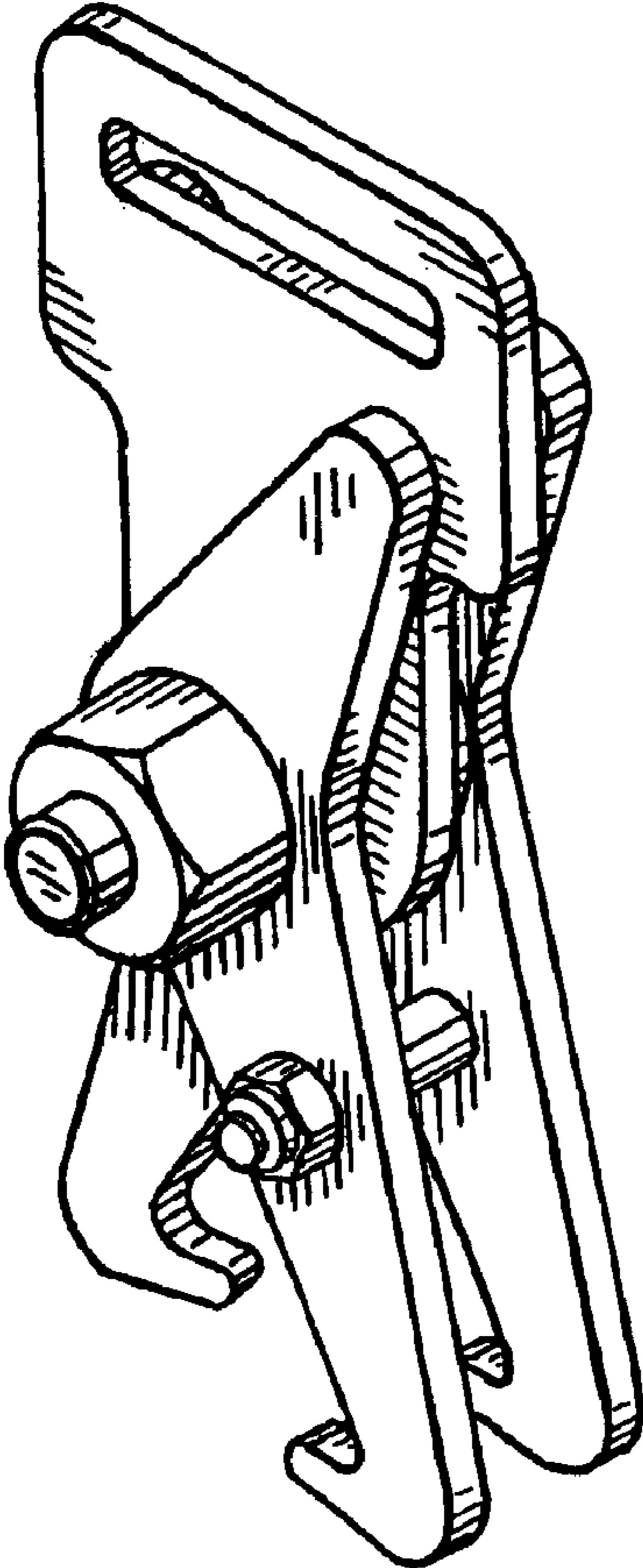


FIG-2

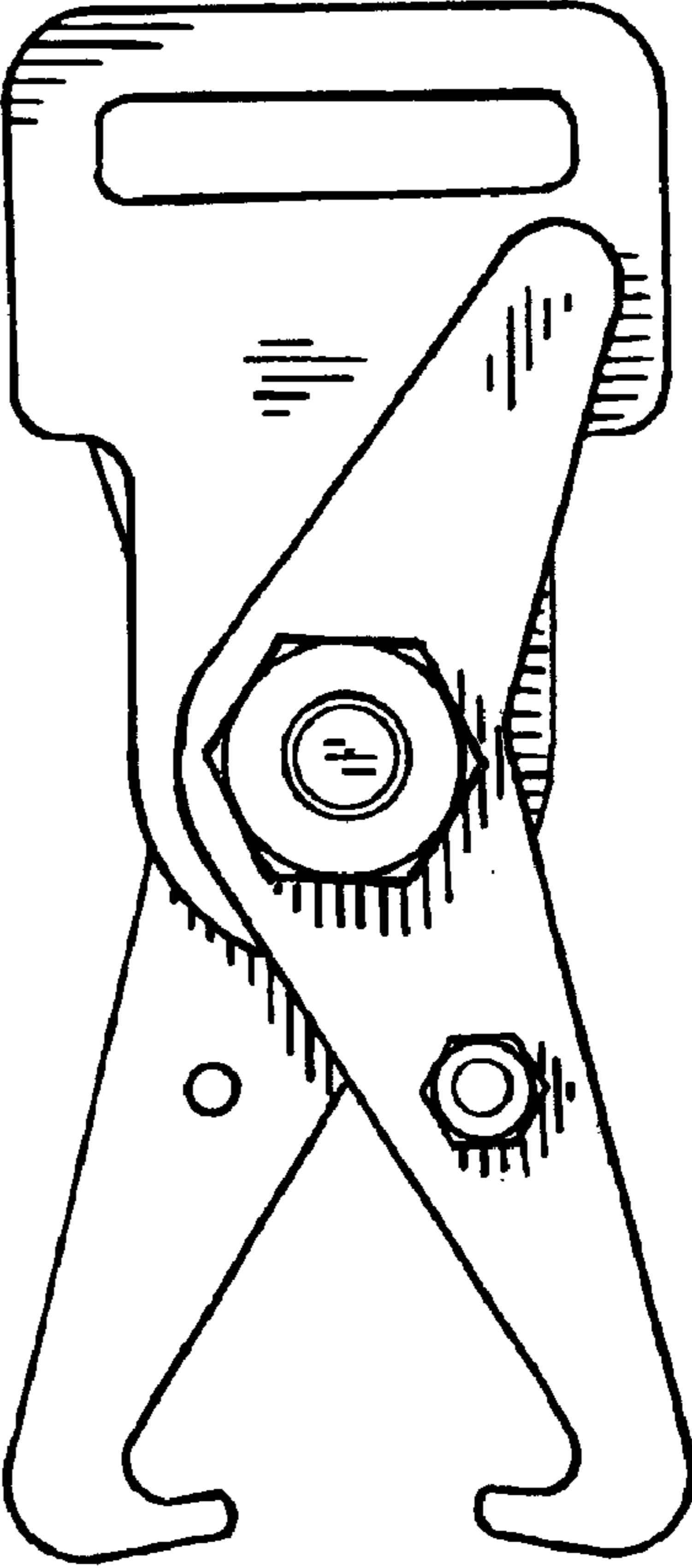


FIG-3

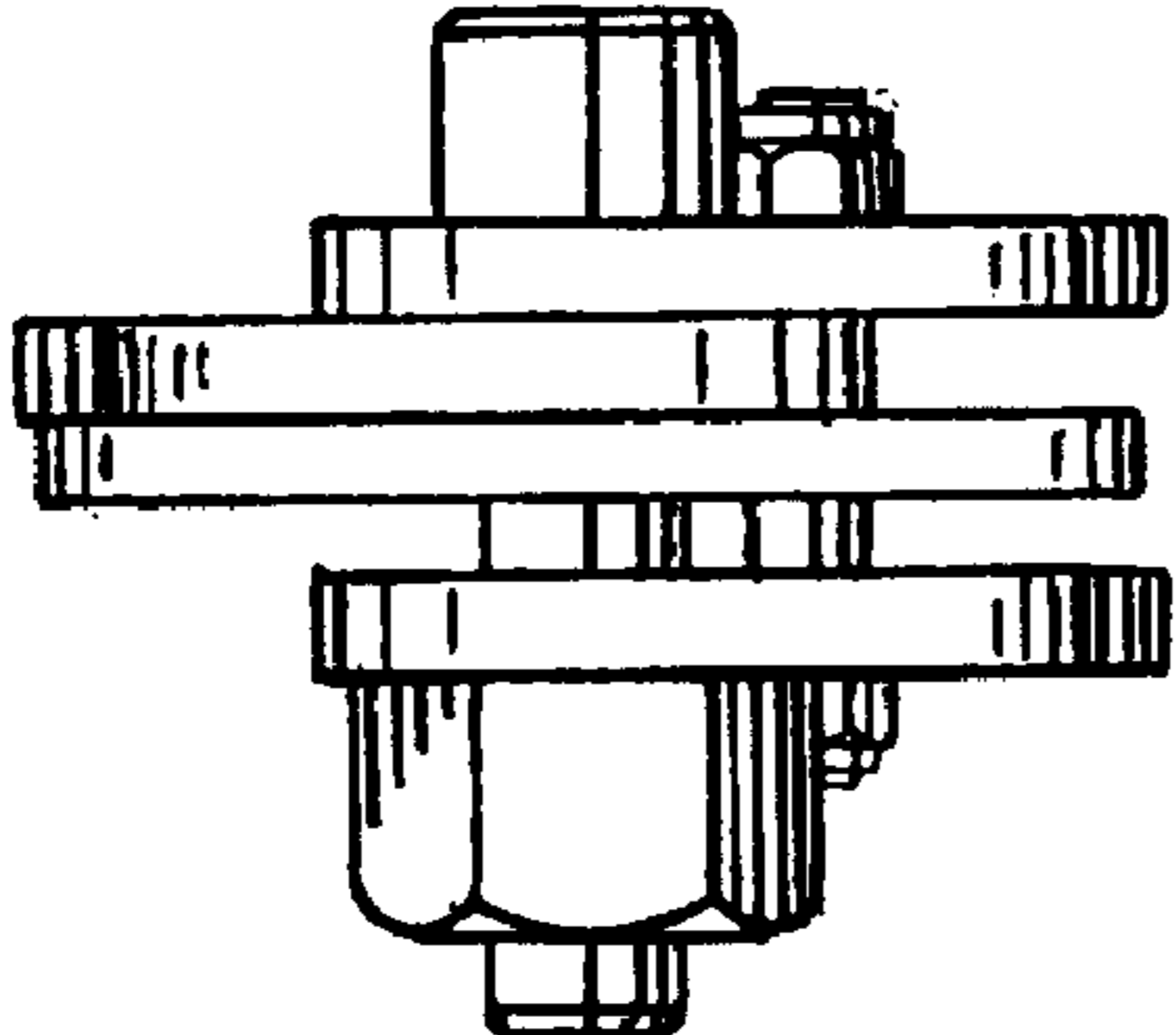


FIG-4

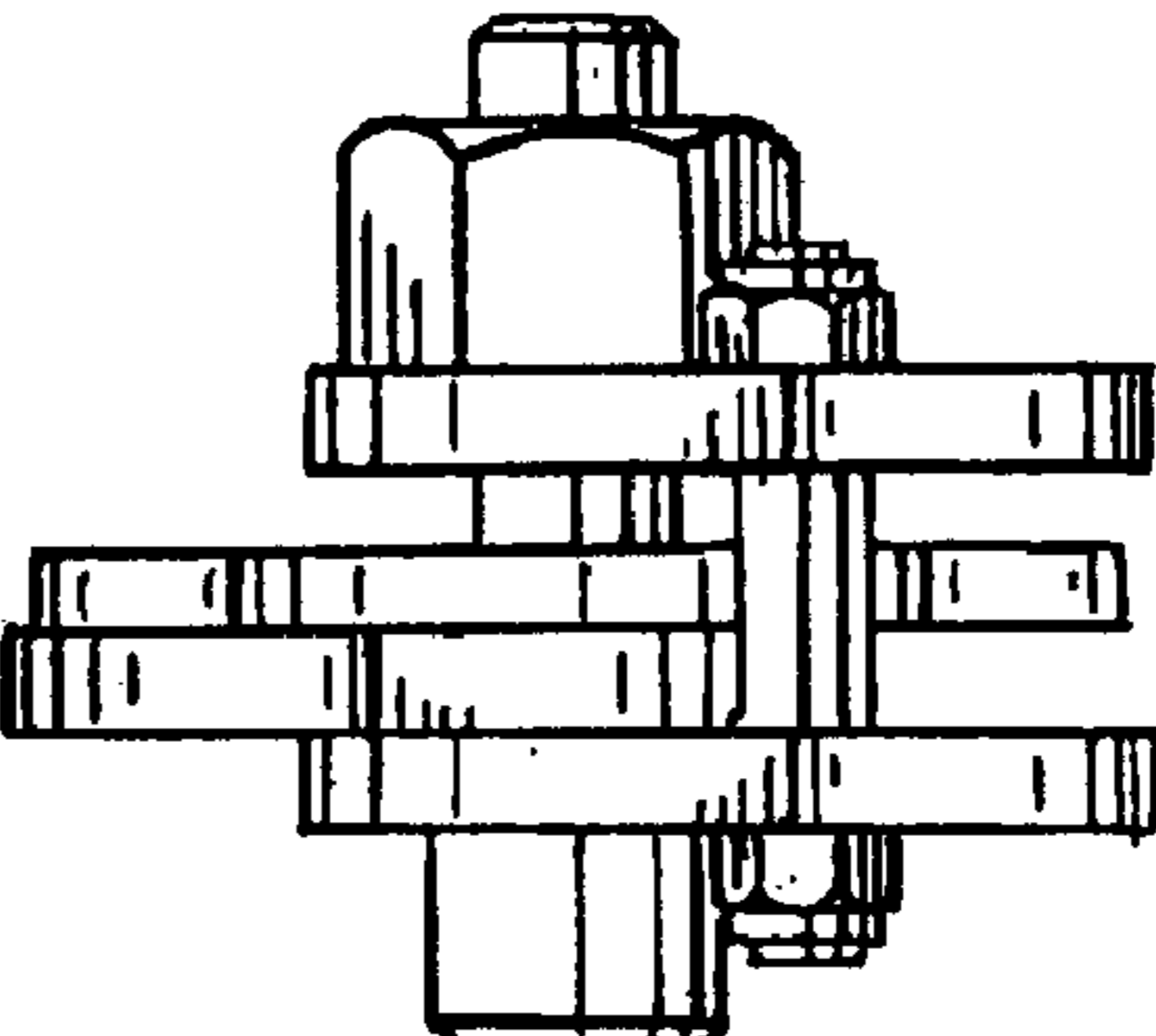


FIG-5

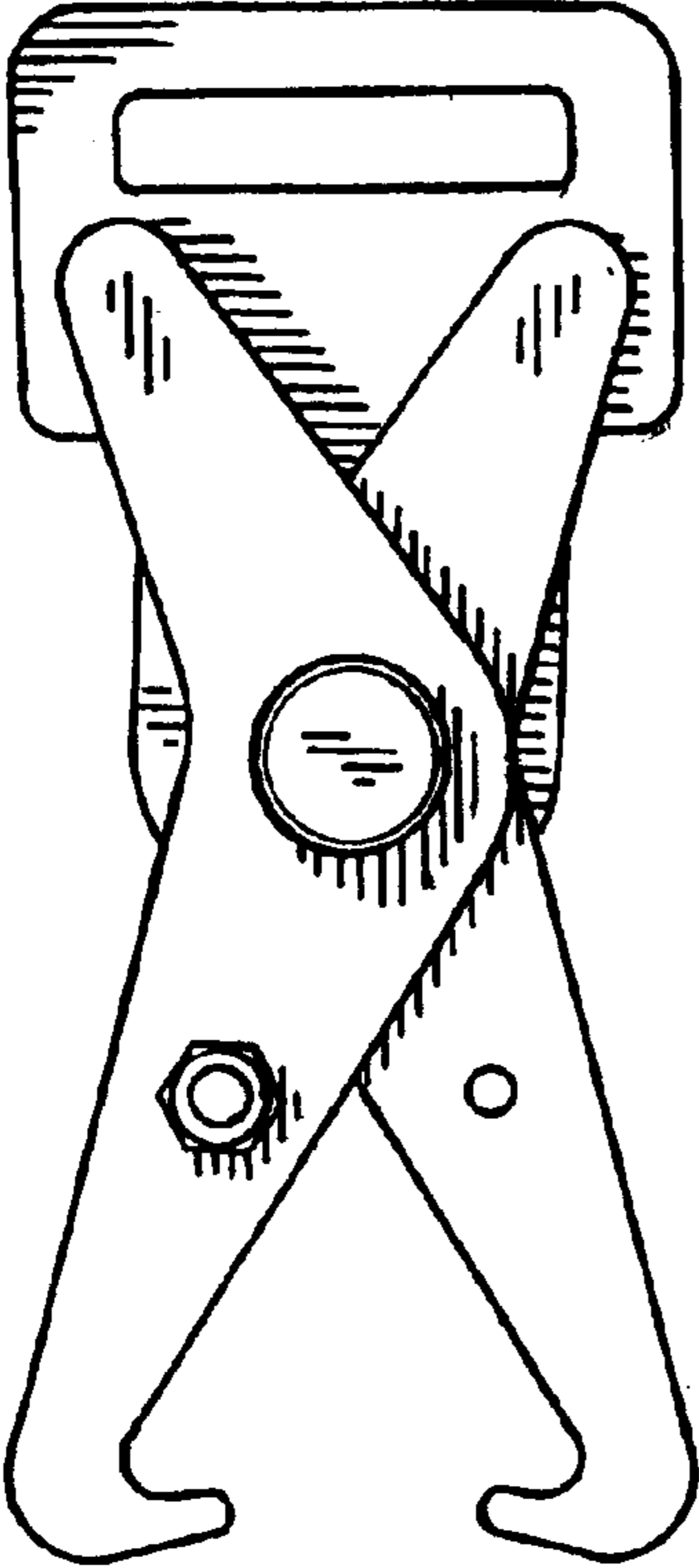


FIG-6

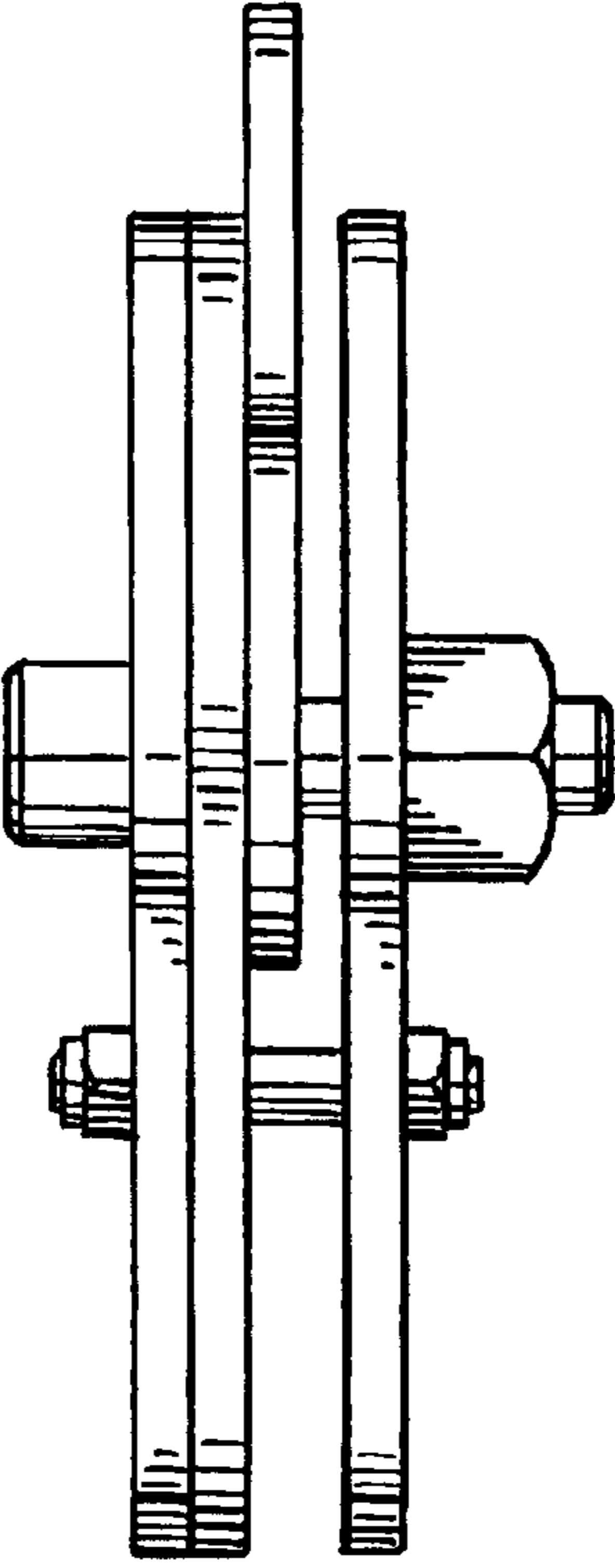


FIG-7

