



US00D513968S

(12) **United States Design Patent**
Winig et al.

(10) **Patent No.:** **US D513,968 S**
(45) **Date of Patent:** **** Jan. 31, 2006**

- (54) **HOOK TIP**
- (75) Inventors: **Alan Winig**, Wynewood, PA (US);
Richard Winig, Villanova, PA (US);
James Eldon, Barto, PA (US)
- (73) Assignee: **SS3 Storage Systems, L.L.C.**,
Wilmington, DE (US)
- (**) Term: **14 Years**
- (21) Appl. No.: **29/185,962**
- (22) Filed: **Jul. 7, 2003**
- (51) **LOC (8) Cl.** **08-05**
- (52) **U.S. Cl.** **D8/367**
- (58) **Field of Classification Search** D8/367,
D8/373; 16/441; 248/301, 304
See application file for complete search history.

- D478,499 S 8/2003 Winig et al.
- D478,500 S 8/2003 Winig et al.
- D478,805 S 8/2003 Winig et al.
- D480,945 S * 10/2003 Snell D8/367
- D495,589 S * 9/2004 Goodman et al. D8/367
- D496,258 S * 9/2004 Fields D8/367

* cited by examiner

Primary Examiner—Holly H. Baynham

(57) **CLAIM**

The ornamental design for a hook tip, as shown and described.

DESCRIPTION

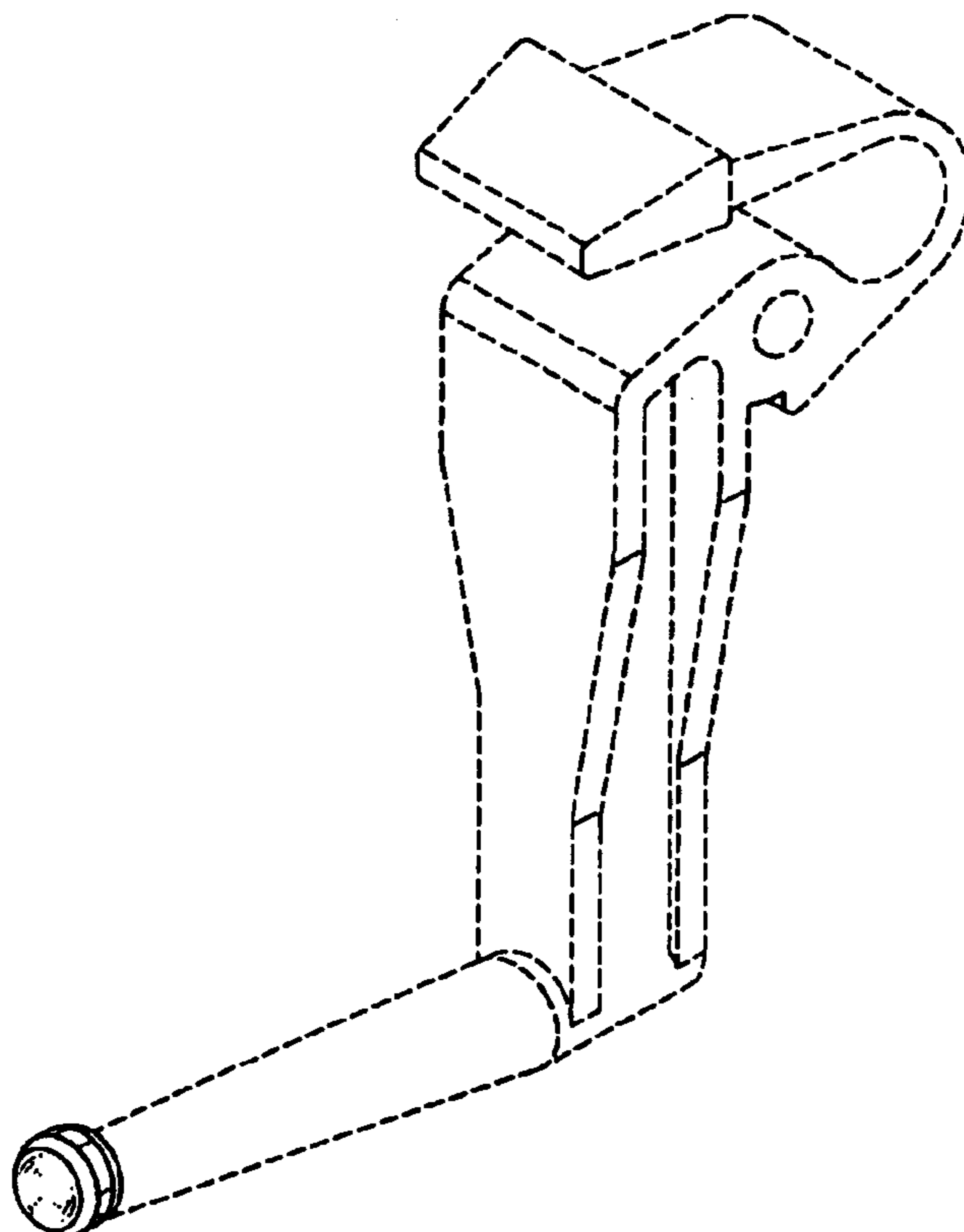
FIG. 1 is a perspective view of the hook tip according to the invention;
 FIG. 2 is a right side view of the hook tip;
 FIG. 3 is a left side view of the hook tip;
 FIG. 4 is a front view of the hook tip;
 FIG. 5 is a rear view of the hook tip;
 FIG. 6 is a top view of the hook tip; and,
 FIG. 7 is a bottom view of a the hook tip.
 The broken line showing of portion of a hook is for illustrative purposes only and forms no part of the claimed design.

(56) **References Cited**

U.S. PATENT DOCUMENTS

- 239,465 A * 3/1881 Delany 248/304
- 4,025,018 A * 5/1977 Thalenfeld 248/303
- D383,052 S * 9/1997 Sheftel D8/367
- D416,043 S * 11/1999 Arthur et al. D19/55
- D427,505 S * 7/2000 Laga et al. D8/367
- D446,444 S * 8/2001 Sterling et al. D8/367

1 Claim, 3 Drawing Sheets



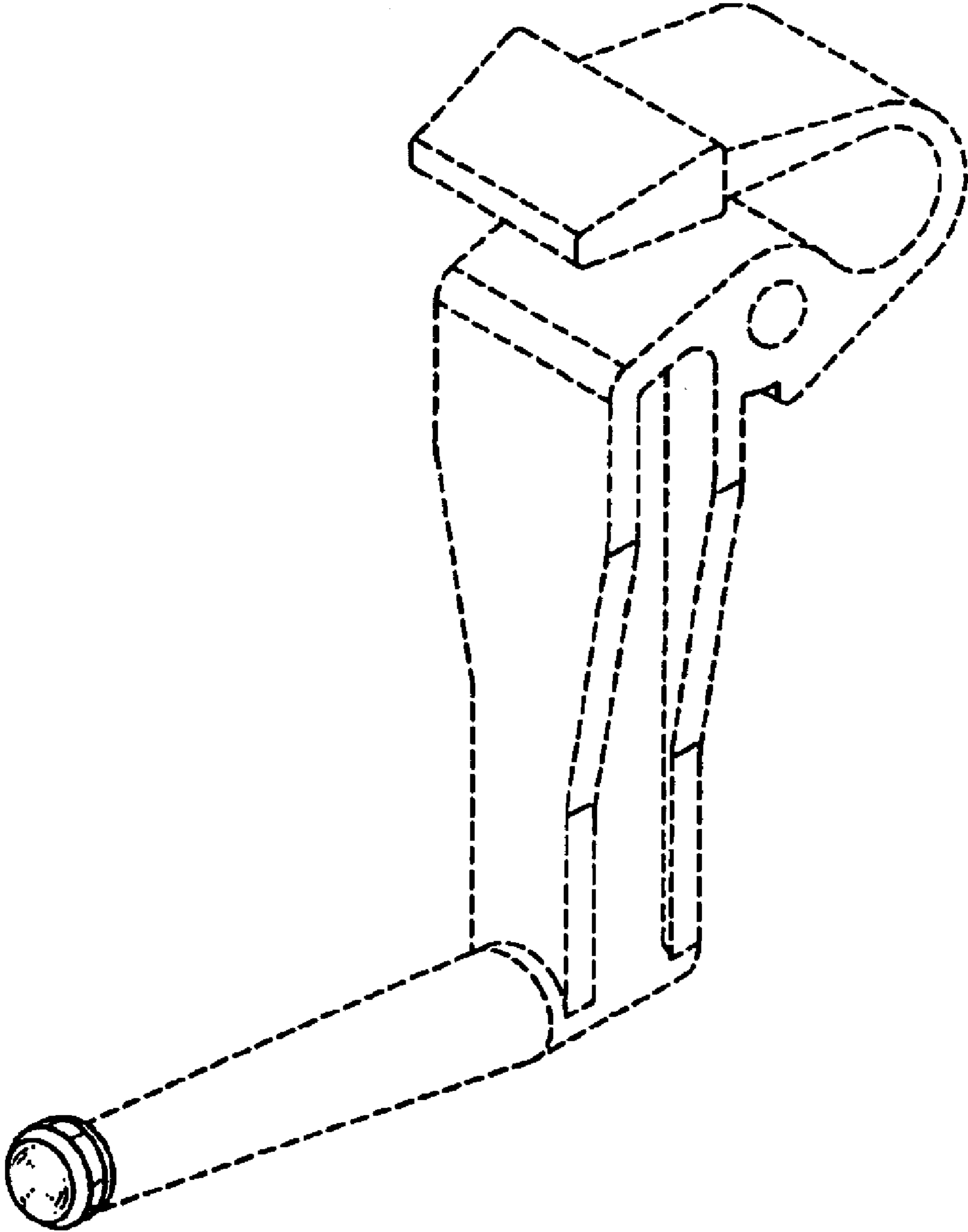


FIG. 1

FIG. 2

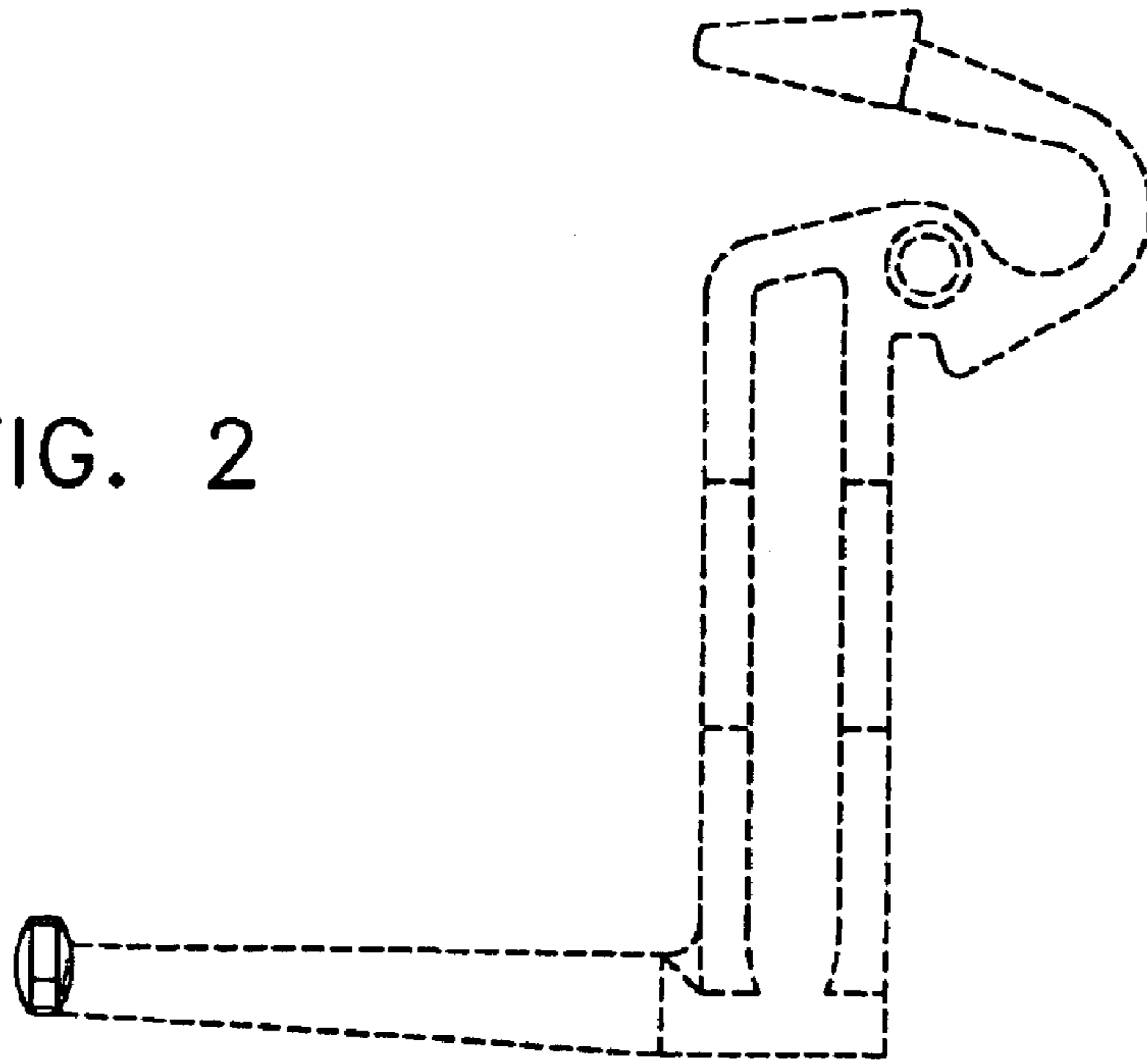
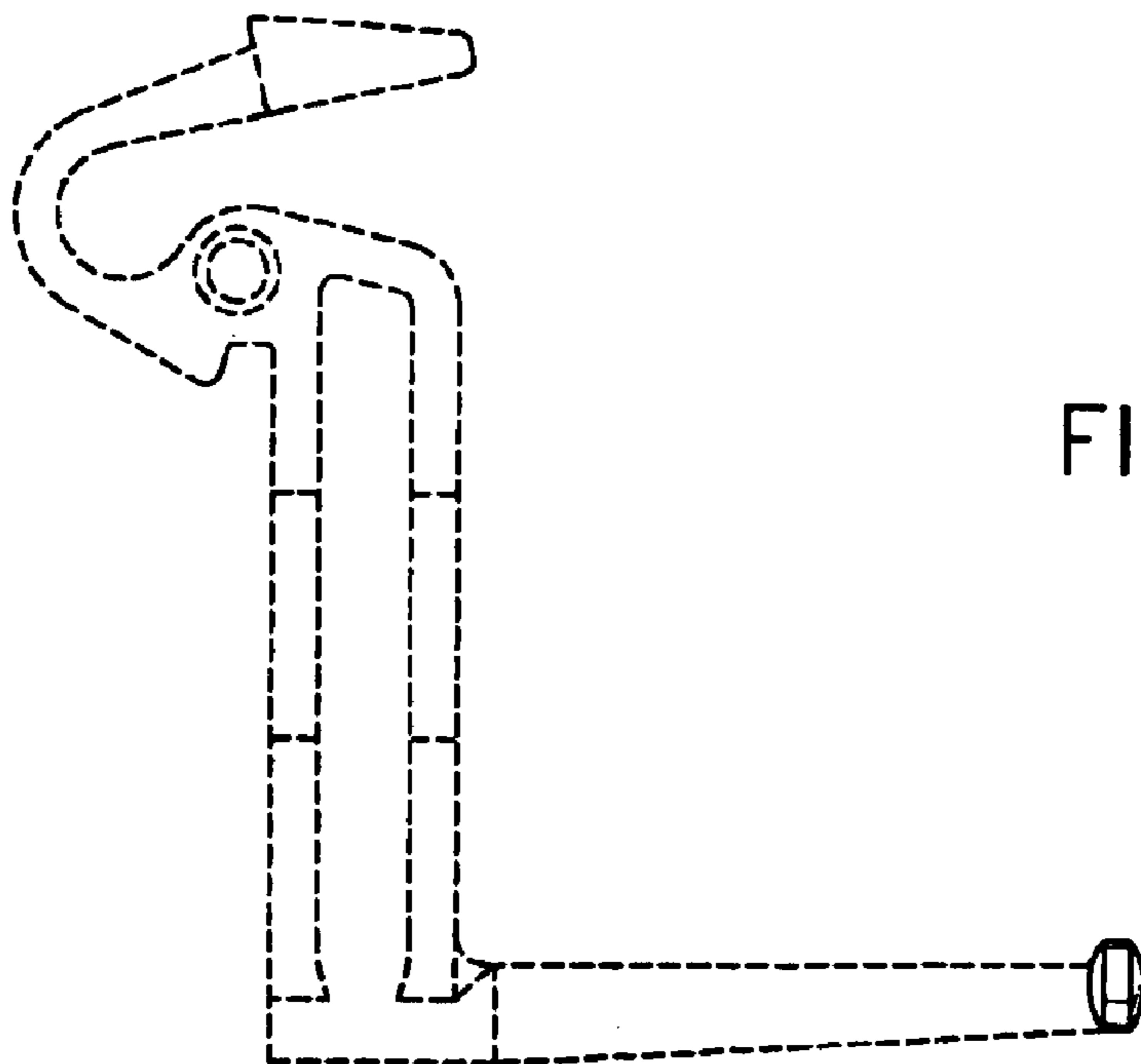


FIG. 3



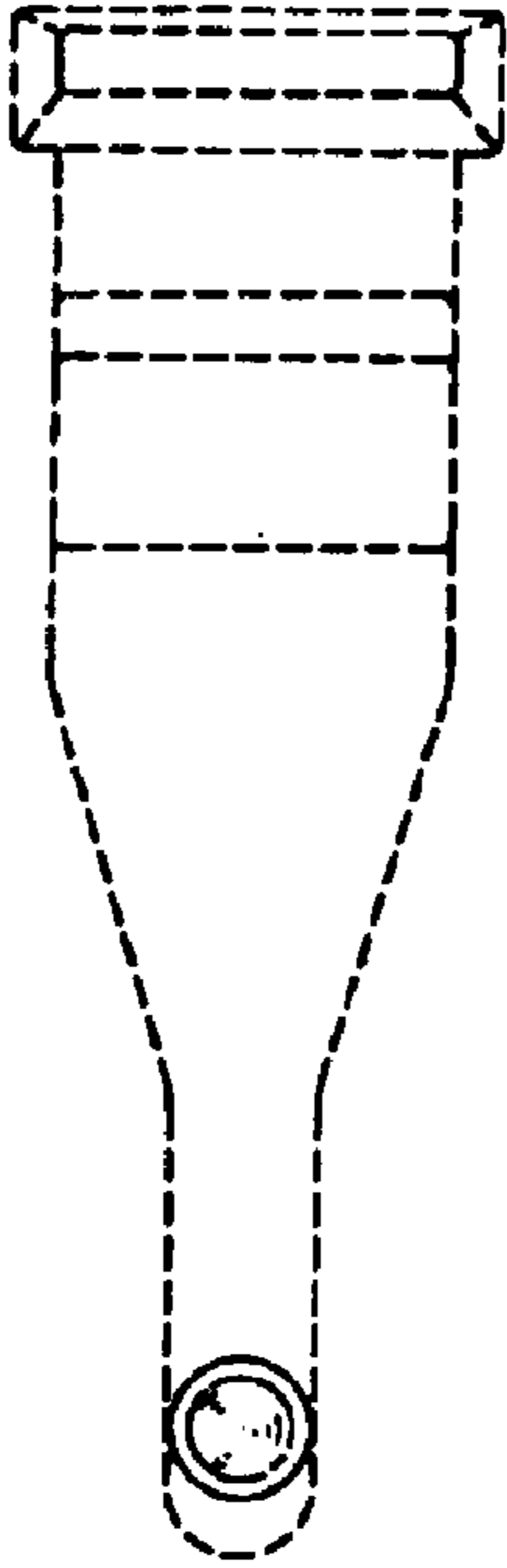


FIG. 4

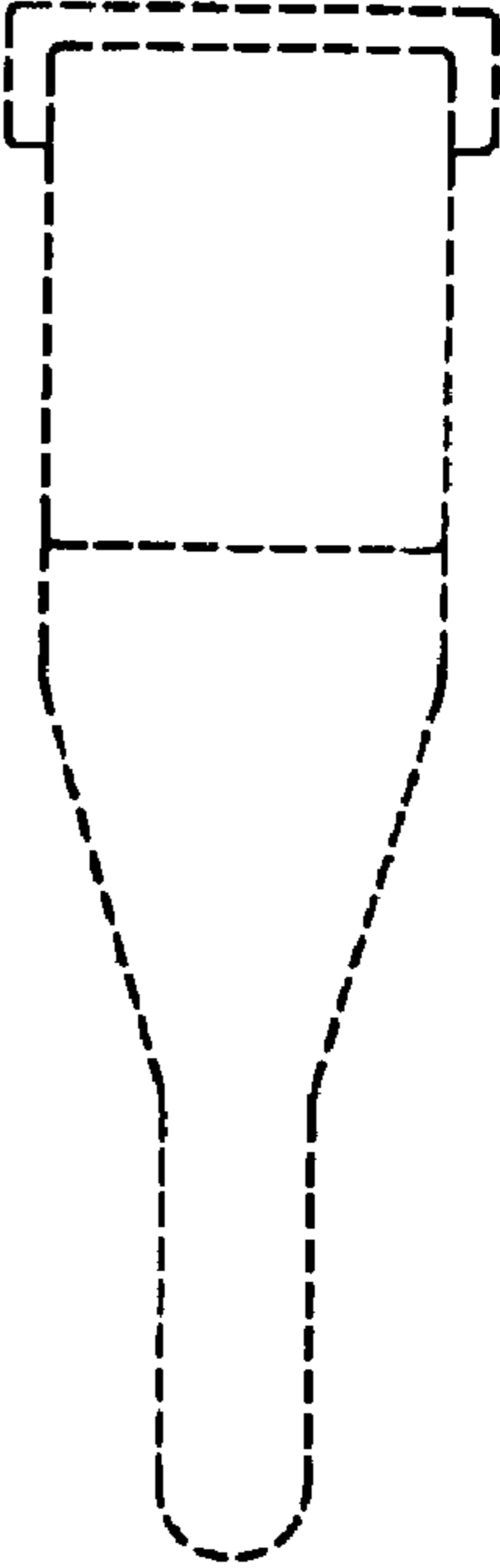


FIG. 5

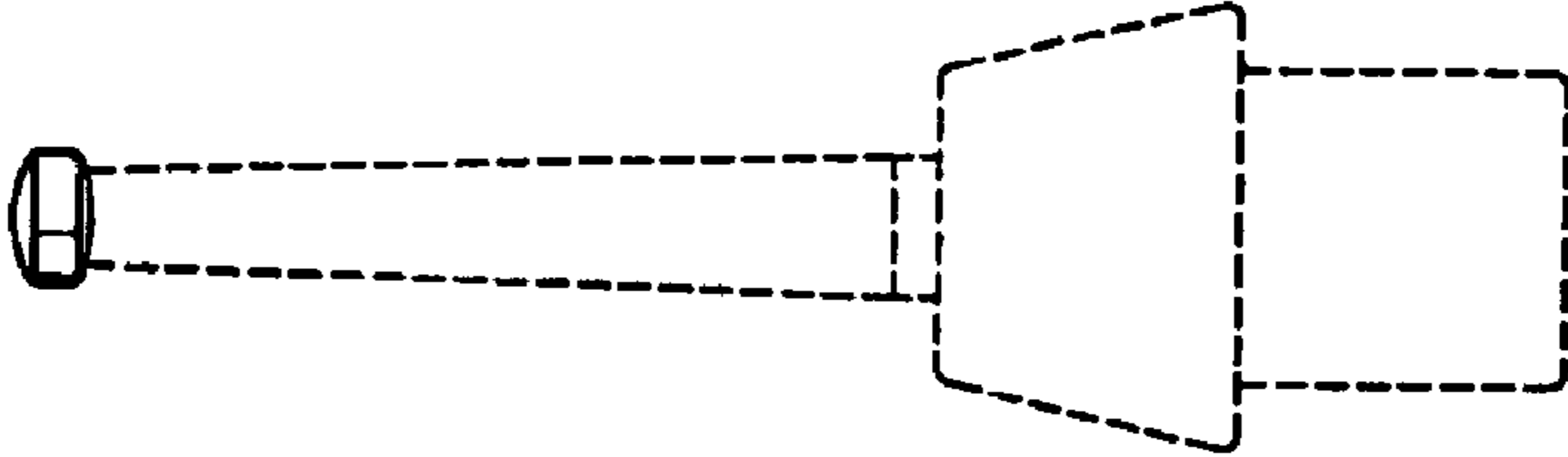


FIG. 6

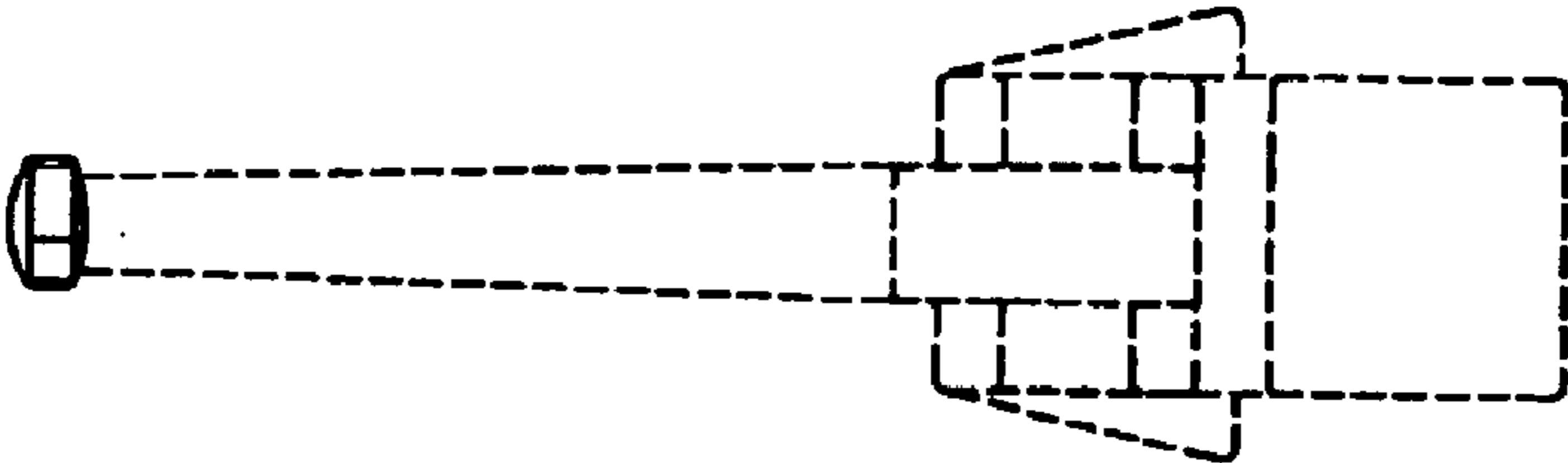


FIG. 7