



US00D513966S

(12) **United States Design Patent**
Wright

(10) **Patent No.:** **US D513,966 S**
(45) **Date of Patent:** **** Jan. 31, 2006**

(54) **GLASS BLOCK SPACER**

(76) Inventor: **Brian C. Wright**, 13433 228th St.
Southeast, Snohomish, WA (US) 98295
(**) Term: **14 Years**

(21) Appl. No.: **29/207,525**

(22) Filed: **Jun. 15, 2004**

Related U.S. Application Data

(63) Continuation-in-part of application No. 29/180,831, filed on Apr. 30, 2003, now Pat. No. Des. 494,042.

(51) **LOC (8) Cl.** **08-05**

(52) **U.S. Cl.** **D8/354**

(58) **Field of Classification Search** D8/354,
D8/377, 349, 373, 380; 52/308, 306, 100,
52/474; D25/122, 119, 103

See application file for complete search history.

(56) **References Cited**

U.S. PATENT DOCUMENTS

D118,248 S	12/1939	Roseman	
2,742,777 A	4/1956	Corneil et al.	
2,972,783 A	2/1961	Russell et al.	
2,983,993 A *	5/1961	Johnson	D25/122
D211,457 S	6/1968	Anderson et al.	
D217,660 S	5/1970	Blum	
D223,487 S	4/1972	Brashear	
3,987,597 A	10/1976	Smart	
D248,242 S	6/1978	Huelsekopf	
D251,741 S	5/1979	Smallwood et al.	
D267,436 S	12/1982	Thorne	
4,791,762 A	12/1988	Hwang	
5,031,372 A	7/1991	McCluer	
5,042,210 A	8/1991	Taylor	
D323,896 S *	2/1992	Alcazar	D25/103
D325,640 S *	4/1992	Ballstadt	D25/119
D326,329 S *	5/1992	Ballstadt	D25/122
D331,469 S *	12/1992	McMarlin	D25/119
5,259,161 A	11/1993	Carter	
5,297,371 A	3/1994	Borghetto	
5,430,985 A *	7/1995	Coleman	52/308

(Continued)

FOREIGN PATENT DOCUMENTS

CA	2063783	9/1992
DE	1125633	3/1962
FR	1415772	9/1965
GB	682619	11/1952
IT	623209	7/1961

OTHER PUBLICATIONS

Vinyl Wrap Brochure pp. 1-10.
Vinyl Wrap, Real Glass Block Windows, The State of the Art In Thermal Glass Block Windows, 1 pg.

Primary Examiner—Ruth McInroy
Assistant Examiner—Terrence Huang
(74) *Attorney, Agent, or Firm*—John M. Johnson, Esq.;
Carter Ledyard & Milburn LLP

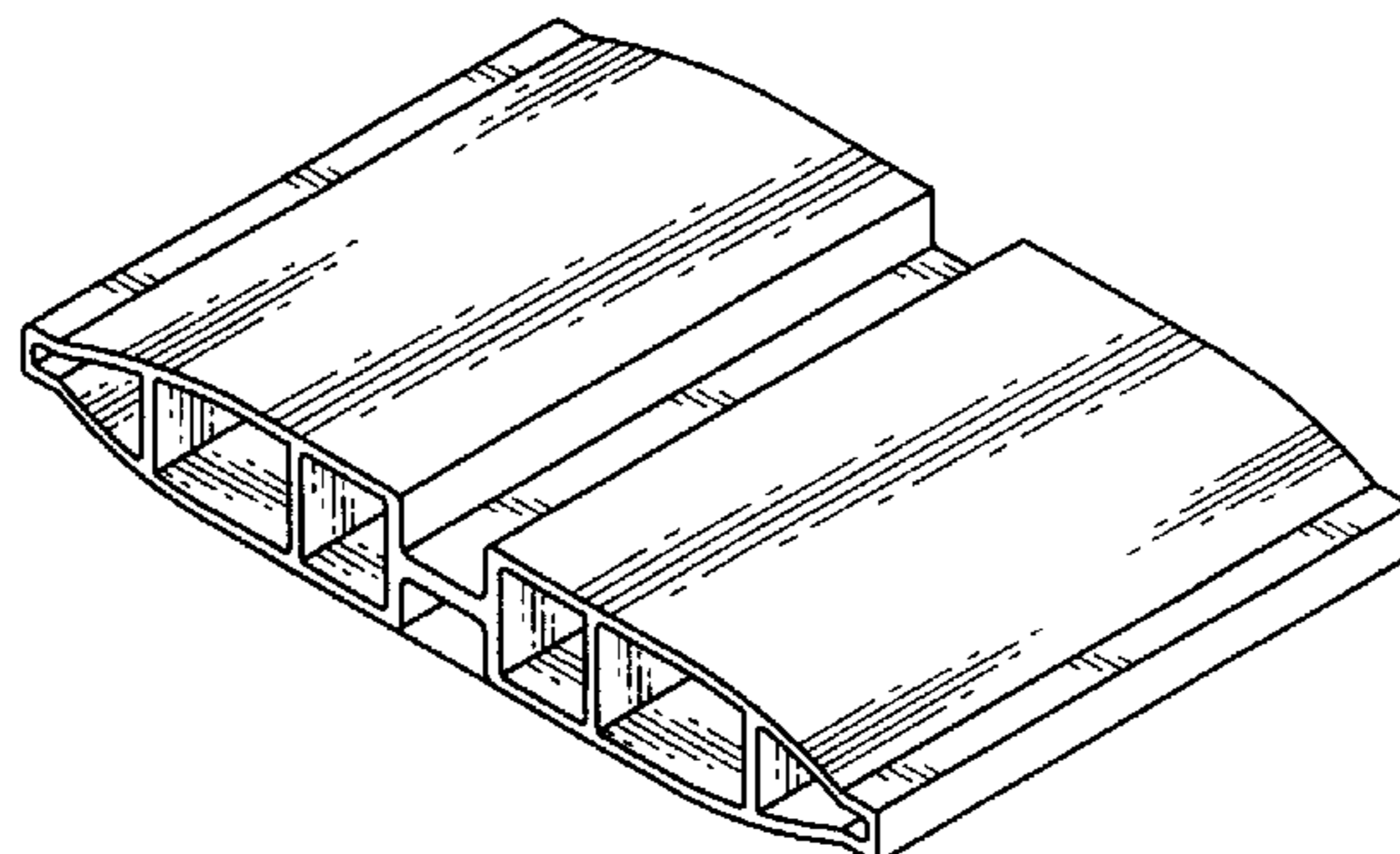
(57) **CLAIM**

The ornamental design for a glass block spacer, substantially as shown and described.

DESCRIPTION

FIG. 1 is a front perspective view of the glass block spacer showing my new design, depicting in a preferred position when in use;
FIG. 2 is an enlarged fragmentary perspective view thereof;
FIG. 3 is an enlarged front elevational view thereof;
FIG. 4 is an enlarged rear elevational view thereof;
FIG. 5 is an enlarged fragmentary right side elevational view thereof;
FIG. 6 is an enlarged fragmentary left side elevational view thereof;
FIG. 7 is an enlarged fragmentary top plan view thereof; and,
FIG. 8 is an enlarged fragmentary bottom plan view thereof. The broken lines showing environment in the drawings are for illustrative purposes only and form no part of the claimed design.
The fragmented views are understood to represent indeterminate length.

1 Claim, 2 Drawing Sheets



US D513,966 S

Page 2

U.S. PATENT DOCUMENTS			
D368,533 S	4/1996	Wright	
D379,233 S	5/1997	Wright	
D392,822 S	* 3/1998	Gilmore D8/377
D402,535 S	12/1998	Wright	
5,845,443 A	* 12/1998	Wirkus et al. 52/308
5,890,335 A	* 4/1999	Fox 52/306
5,907,937 A	* 6/1999	Loftus et al. 52/308
D494,042 S	* 8/2004	Wright D8/354

* cited by examiner

FIG. 1

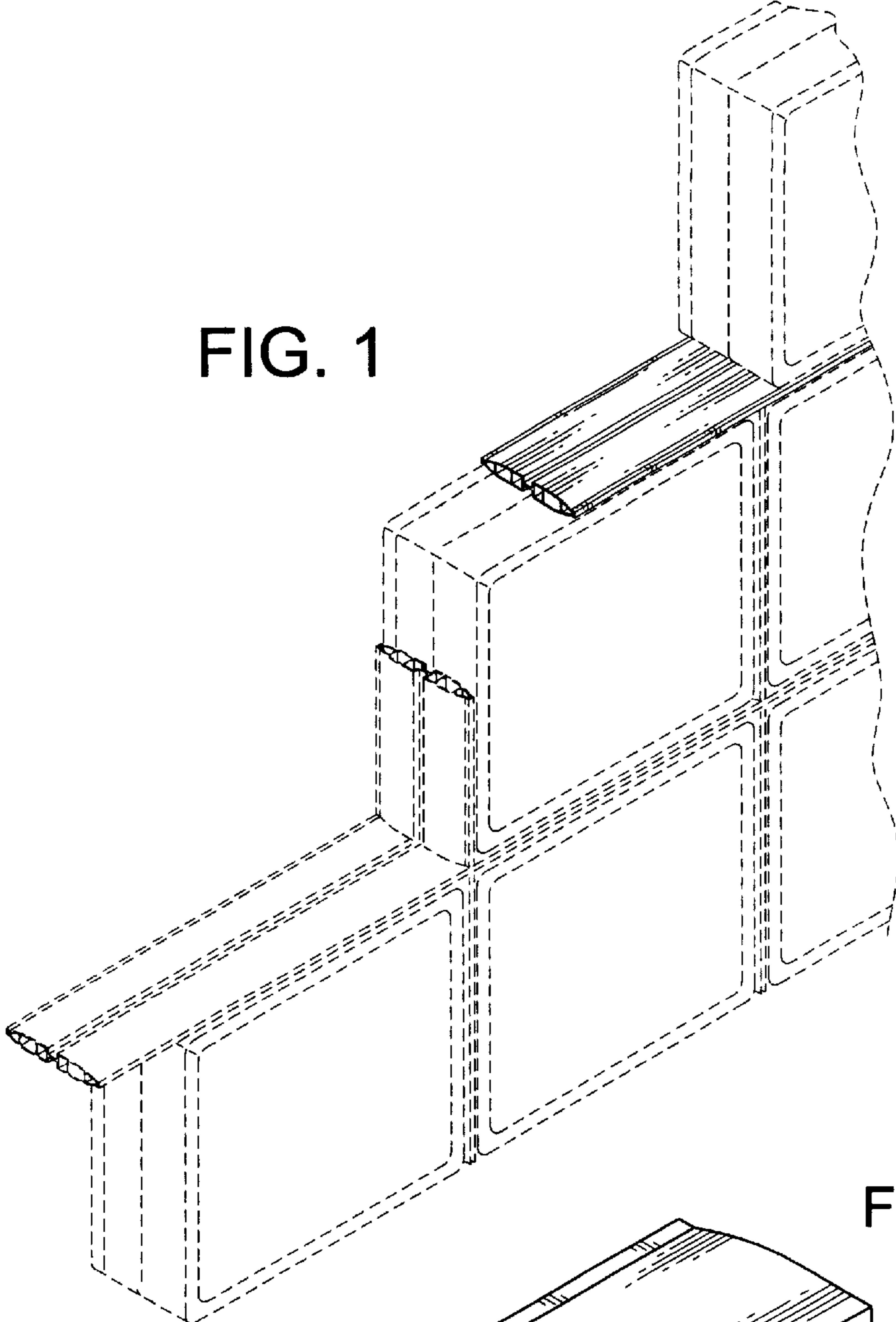


FIG. 2

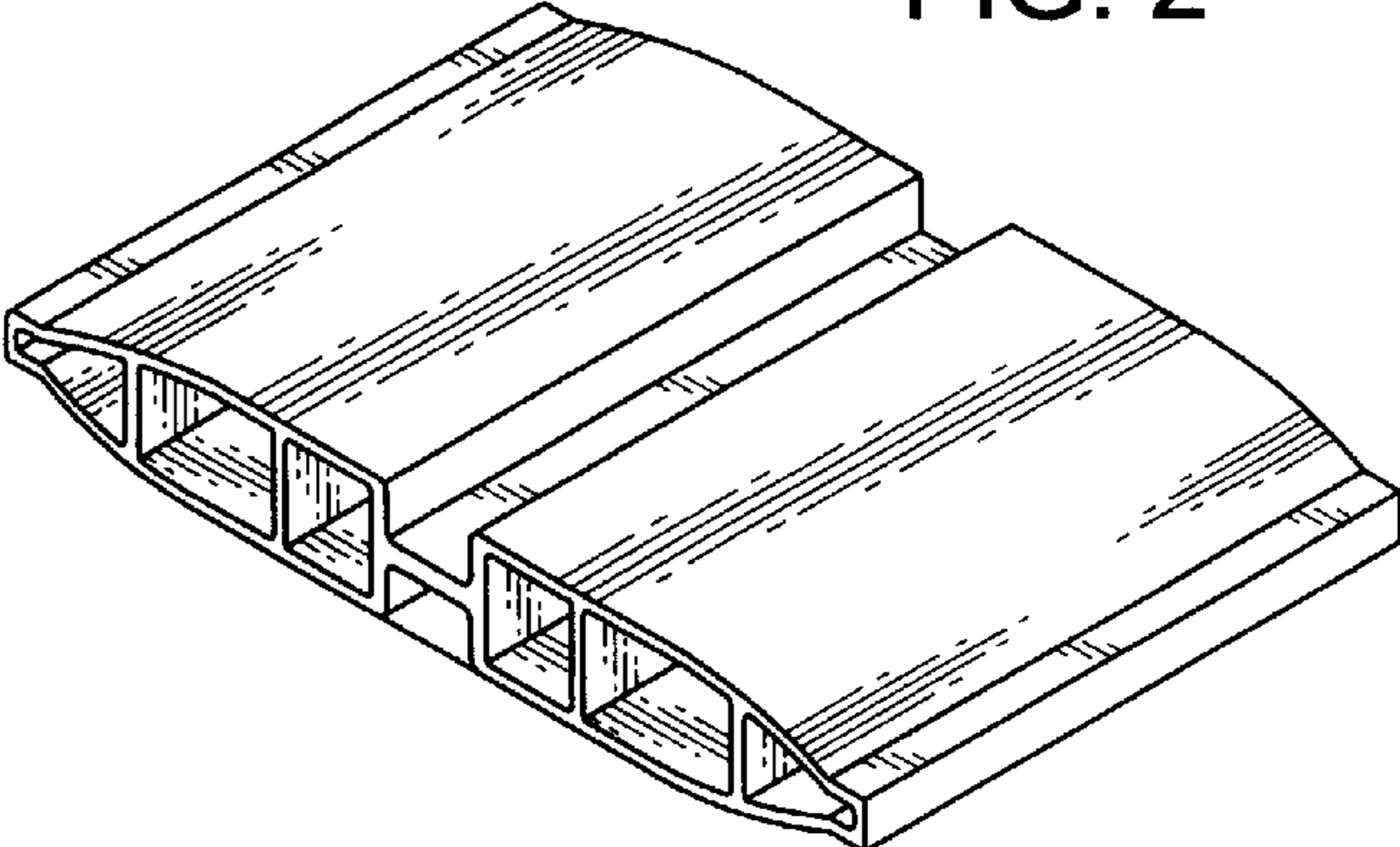


FIG. 3

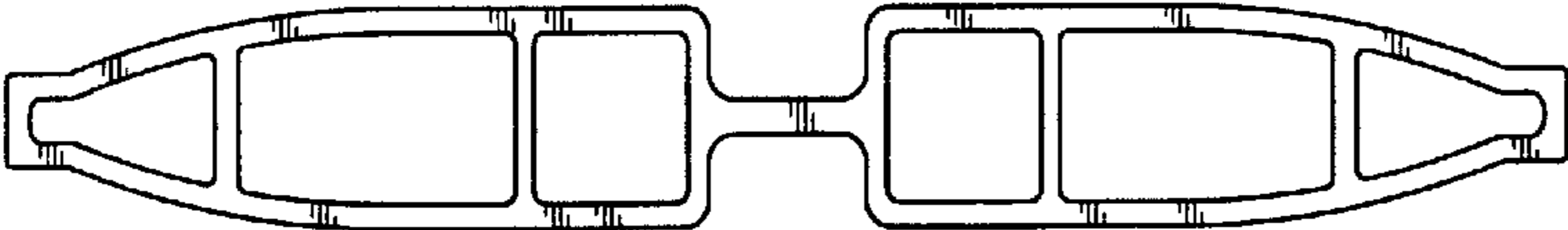


FIG. 4

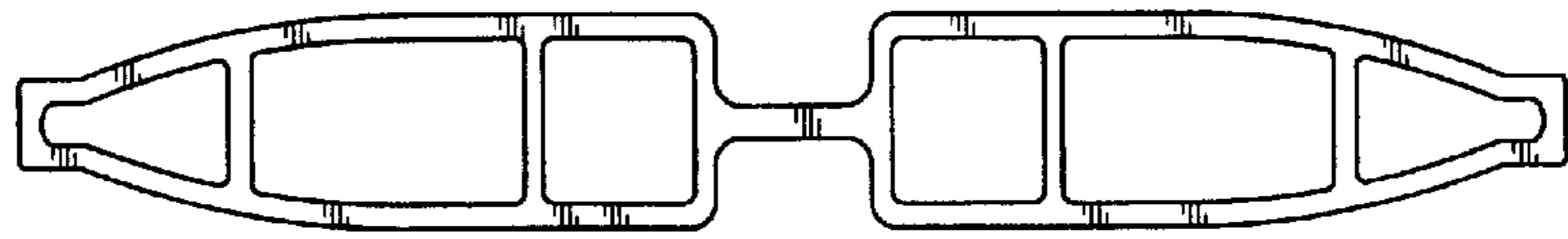


FIG. 5

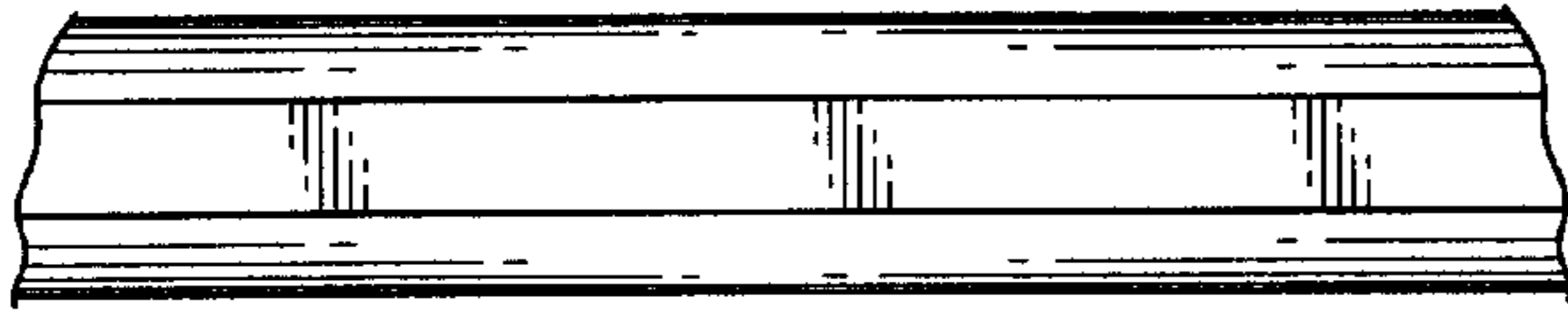


FIG. 6



FIG. 7

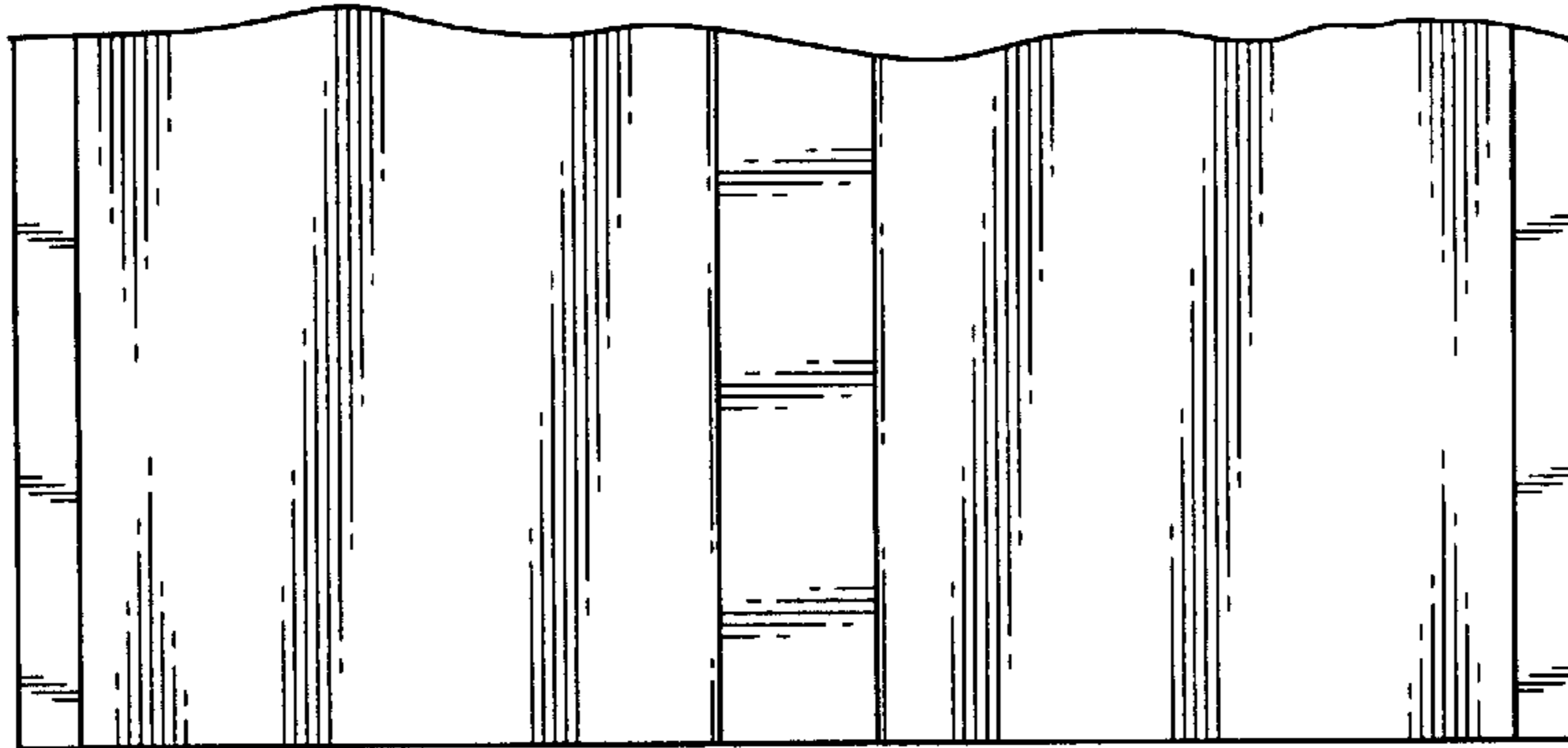


FIG. 8

