



US00D513960S

(12) **United States Design Patent**
Witte

(10) **Patent No.: US D513,960 S**
(45) **Date of Patent: ** Jan. 31, 2006**

(54) **DOOR HANDLE**

(75) Inventor: **Kay-Uwe Witte**, Bad Homburg (DE)

(73) Assignee: **Rittal GmbH & Co. KG**, Herborn (DE)

(**) Term: **14 Years**

(21) Appl. No.: **29/207,662**

(22) Filed: **Jun. 16, 2004**

(30) **Foreign Application Priority Data**

Dec. 20, 2003 (DE) 4 03 08 171

(51) **LOC (8) Cl. 08-06**

(52) **U.S. Cl. D8/313**

(58) **Field of Classification Search** D8/303,
D8/306, 311-314, 316, 333, DIG. 1; D12/190,
D12/195, 404, 405; 16/11 R, 111 R, 124,
16/412, 413-416, DIG. 12, DIG. 18; 49/501,
49/502; 292/207, 223, 55, 336.3, DIG. 31;
296/37.1, 153, 37.13, 149

See application file for complete search history.

(56) **References Cited**

U.S. PATENT DOCUMENTS

D97,148 S * 10/1935 Segar D8/302
2,029,199 A * 1/1936 Segar 292/173
2,683,889 A * 7/1954 Kanocz 16/402
D201,987 S * 8/1965 Webster D8/302

D380,955 S * 7/1997 Landry et al. D8/306
D385,474 S * 10/1997 Rechberg D8/313
D391,137 S * 2/1998 Moebius D8/313
D441,576 S * 5/2001 Foster D6/509
6,406,075 B1 * 6/2002 Rice et al. 292/336.3
D490,612 S * 6/2004 Fenton D3/318
D496,579 S * 9/2004 Pfeiffer et al. D8/343
D499,951 S * 12/2004 Hattori D8/308

* cited by examiner

Primary Examiner—Prabhakar Deshmukh

Assistant Examiner—Jean E. McCormick

(74) *Attorney, Agent, or Firm*—Pauley Petersen & Erickson

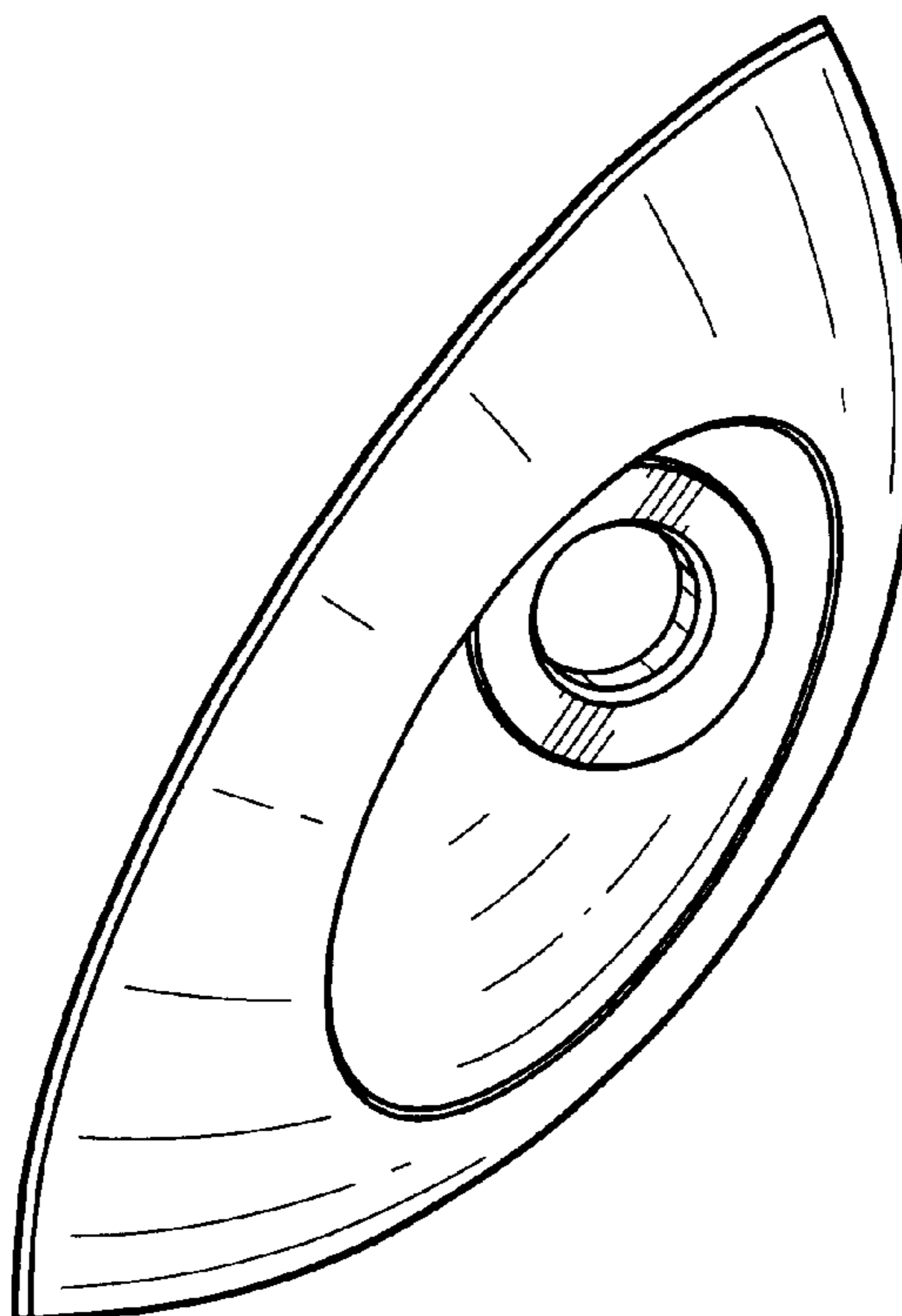
(57) **CLAIM**

The ornamental design for a door handle, as shown and described.

DESCRIPTION

FIG. 1 is a perspective view of a door handle showing my new design;
FIG. 2 is a front view thereof;
FIG. 3 is a rear perspective view thereof;
FIG. 4 is a rear view thereof;
FIG. 5 is a top view thereof;
FIG. 6 is a bottom view thereof;
FIG. 7 is a side view thereof; and,
FIG. 8 is a side view, opposite the side view shown in FIG. 7.

1 Claim, 3 Drawing Sheets



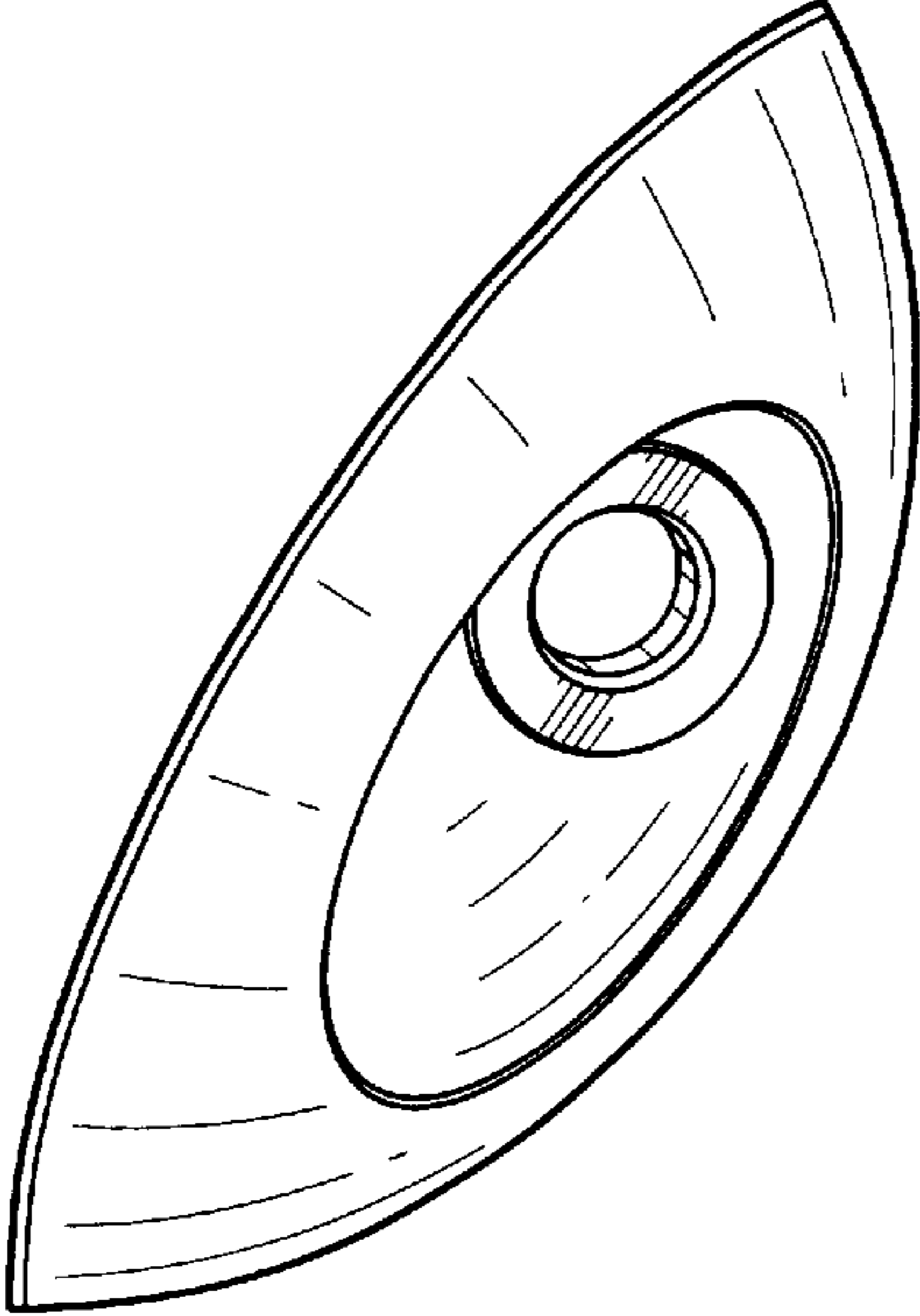


FIG. 1

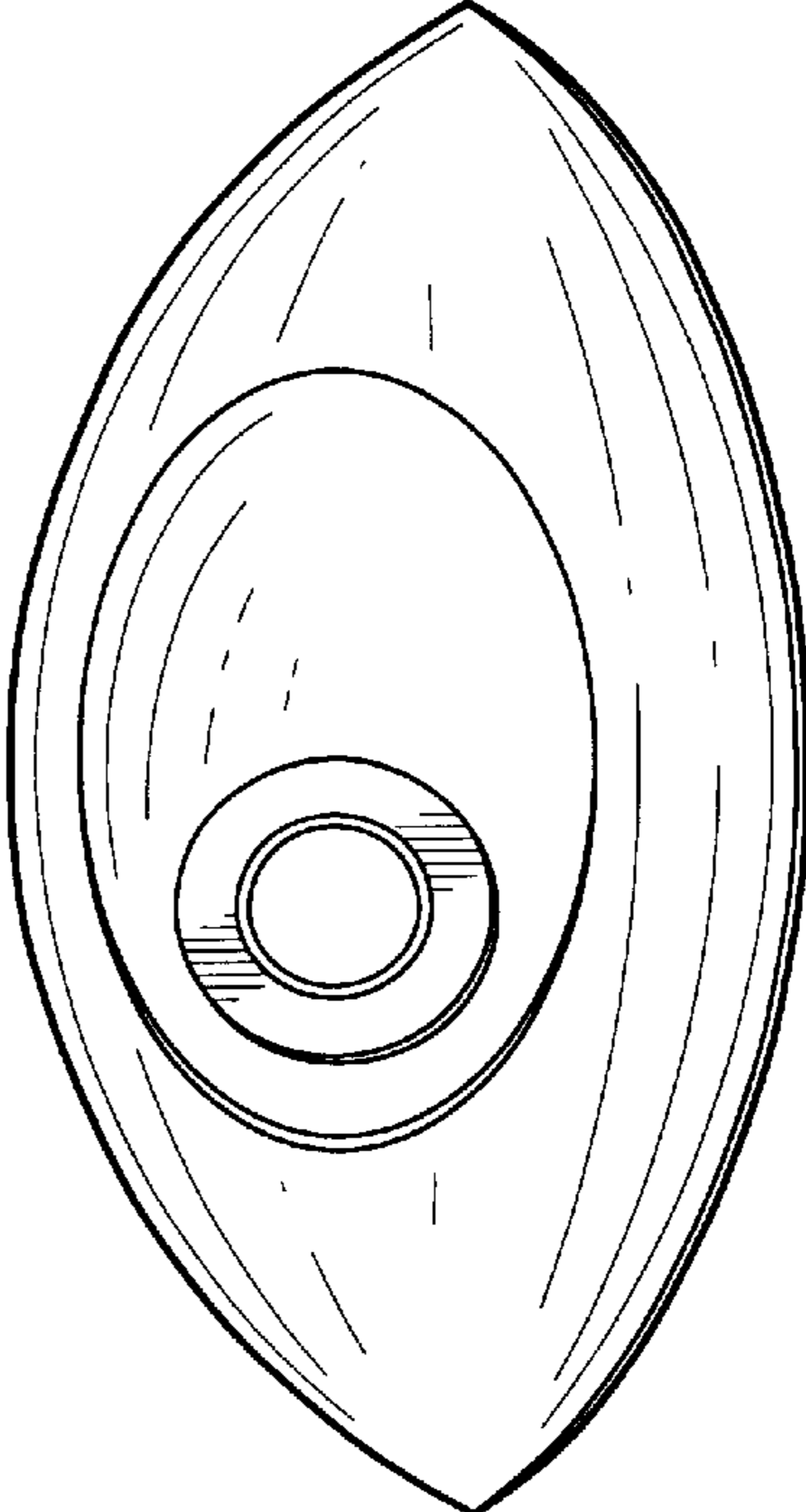


FIG. 2

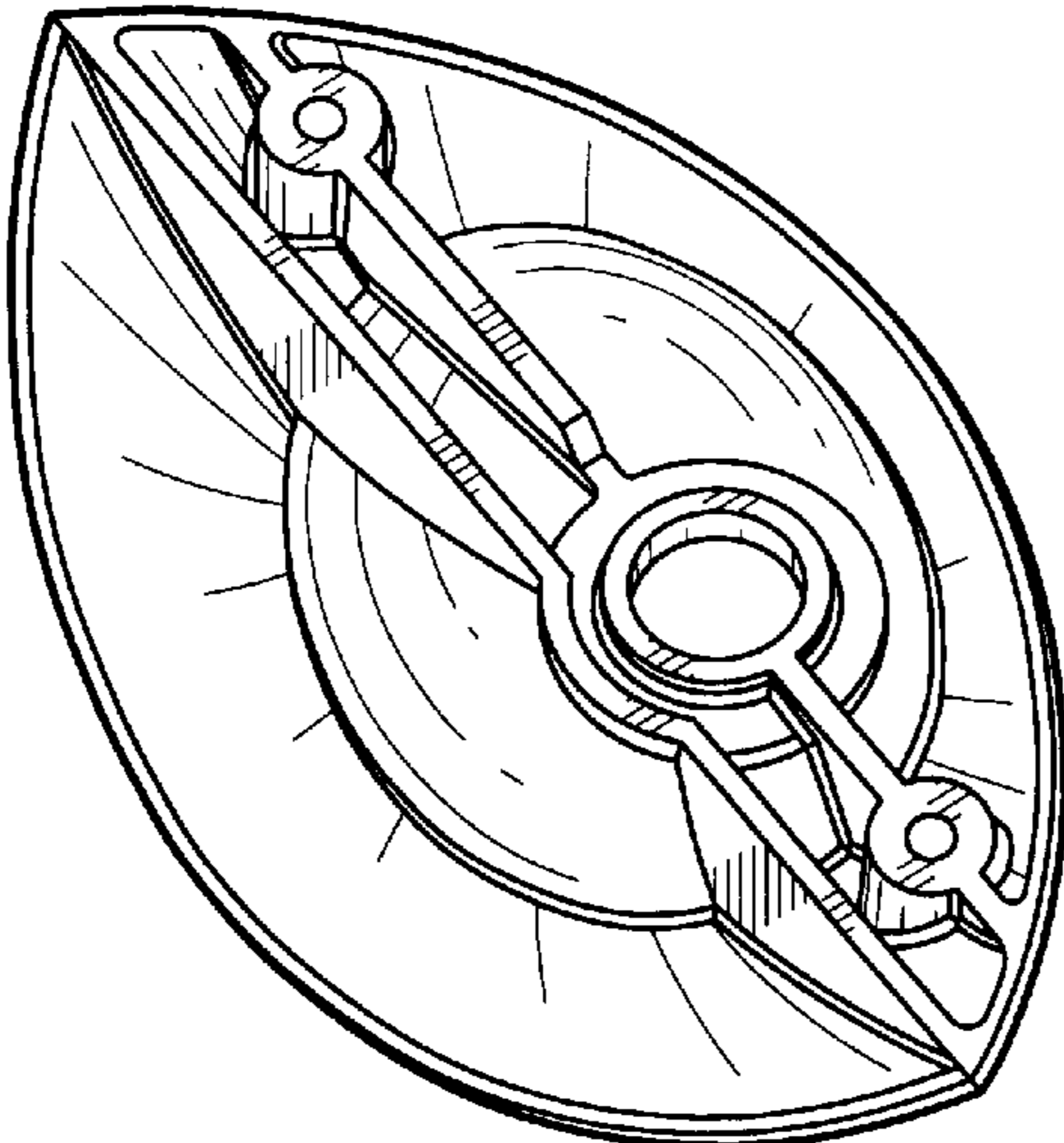


FIG. 3

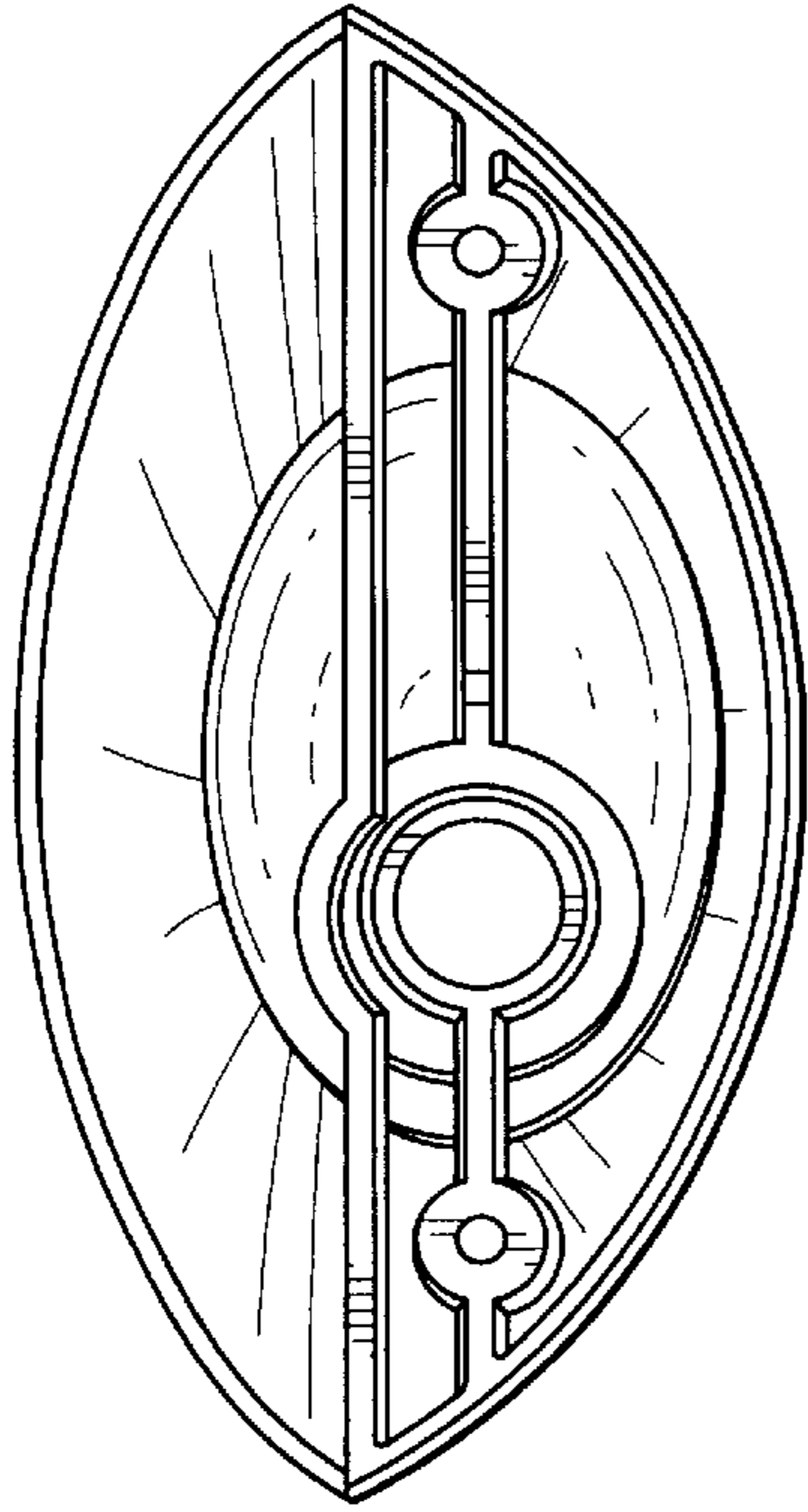


FIG. 4

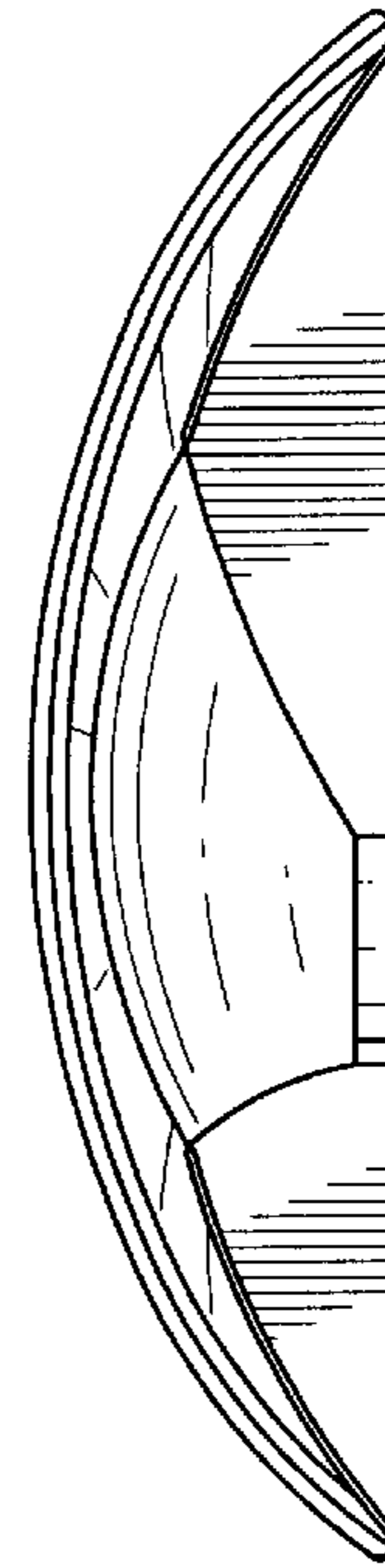


FIG. 5



FIG. 6

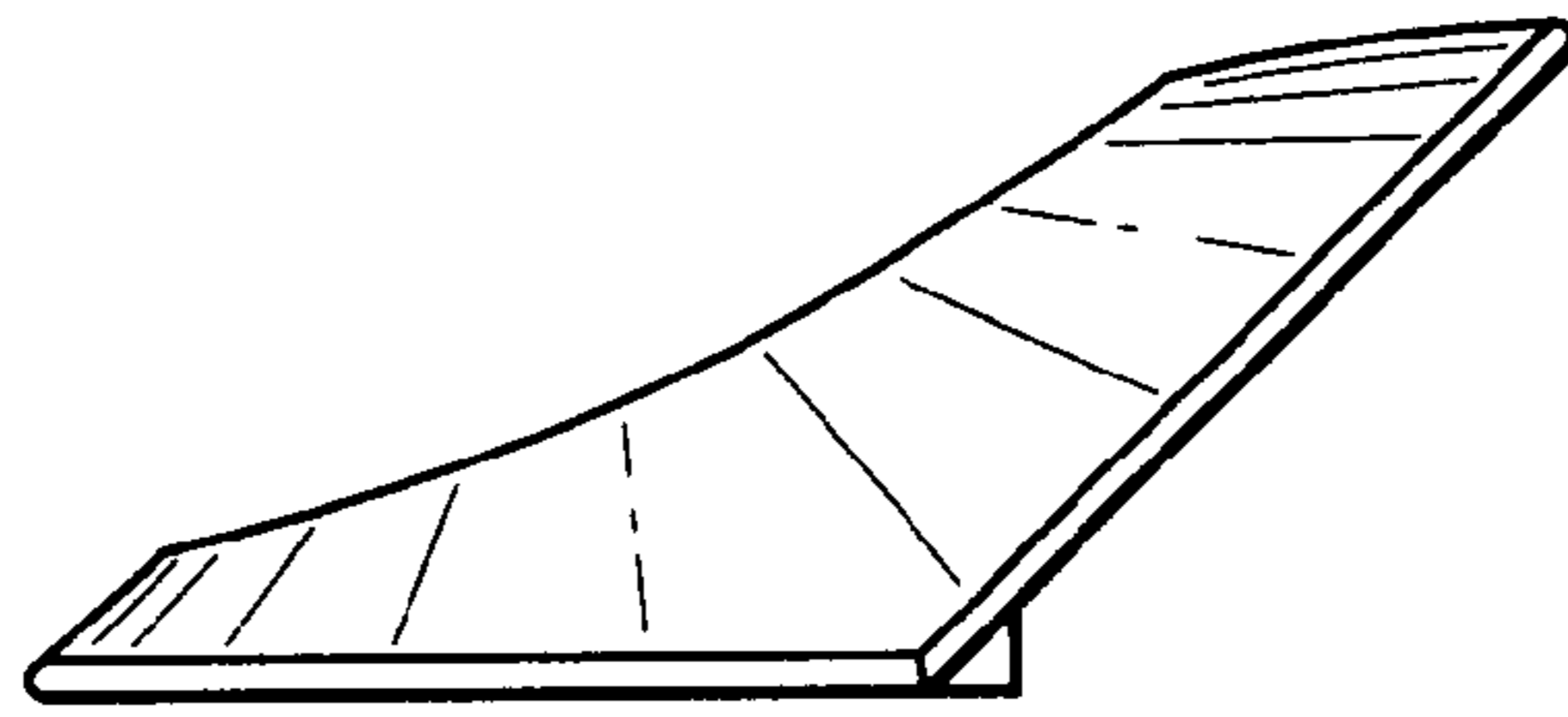


FIG. 7

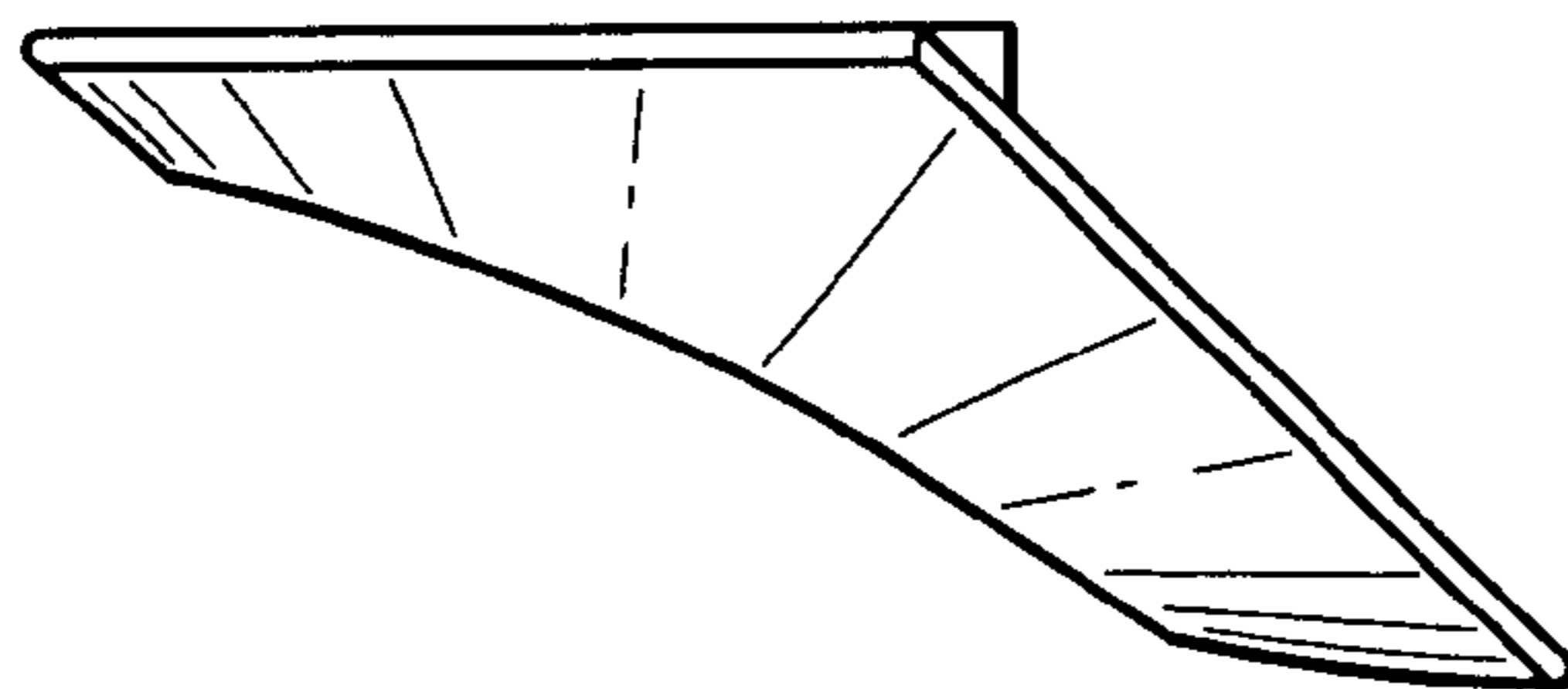


FIG. 8