



US00D513959S

(12) **United States Design Patent** (10) **Patent No.:** **US D513,959 S**  
**Willems** (45) **Date of Patent:** **\*\* Jan. 31, 2006**

(54) **RECESSED FLIP HANDLE**

(75) Inventor: **Roger P. Willems**, High Wycombe (GB)

(73) Assignee: **Penn Elcom, Inc.**, Garden Grove, CA (US)

(\*\*) Term: **14 Years**

(21) Appl. No.: **29/204,578**

(22) Filed: **Apr. 30, 2004**

(51) **LOC (8) Cl.** ..... **08-06**

(52) **U.S. Cl.** ..... **D8/301**

(58) **Field of Classification Search** ..... D8/301-303, D8/306-308, 310-314, 330, 331, 338, 341, D8/343, 352, 353; D3/70; 16/440, DIG. 24; 292/57, 58, DIG. 2, 23, 336.3, DIG. 30, 31; 70/91, 202, 207-211

See application file for complete search history.

D439,739 S \* 4/2001 Murphy ..... D3/272  
D448,269 S 9/2001 Willems  
D454,478 S \* 3/2002 Willems ..... D8/331  
D457,801 S \* 5/2002 Zamberg ..... D8/331

**FOREIGN PATENT DOCUMENTS**

EP 0654414 A1 5/1994

**OTHER PUBLICATIONS**

www.penn-fabrication.com, 2002., item # H1049Z, (1 page).\*

Simmons Hardware Company Catalog, p. 610, 1930.(1 page).\*

Penn Fabrication Professional Collection, Catalogue No. 15, pp. 35-36, published in U.S., in Jan. 2002.

\* cited by examiner

*Primary Examiner*—Prabhakar Deshmukh  
*Assistant Examiner*—Jean E. McCormick  
(74) *Attorney, Agent, or Firm*—Freilich, Hornbaker & Rosen; Robert D. Hornbaker

(56) **References Cited**

**U.S. PATENT DOCUMENTS**

|             |           |                  |        |
|-------------|-----------|------------------|--------|
| 339,587 A   | 4/1886    | Rush             |        |
| 1,040,596 A | 10/1912   | Watrous          |        |
| D161,149 S  | * 12/1950 | Zifferer         | D8/341 |
| 2,715,243 A | 8/1955    | Koll             |        |
| 2,767,424 A | 10/1956   | Kruepfer         |        |
| D236,322 S  | * 8/1975  | Stolarz          | D8/331 |
| 3,933,269 A | 1/1976    | Mastrovito       |        |
| D281,665 S  | * 12/1985 | Weinerman et al. | D8/302 |
| 4,775,072 A | 10/1988   | Lindblade        |        |
| D337,657 S  | * 7/1993  | March et al.     | D3/272 |
| 5,971,218 A | 10/1999   | Le               |        |

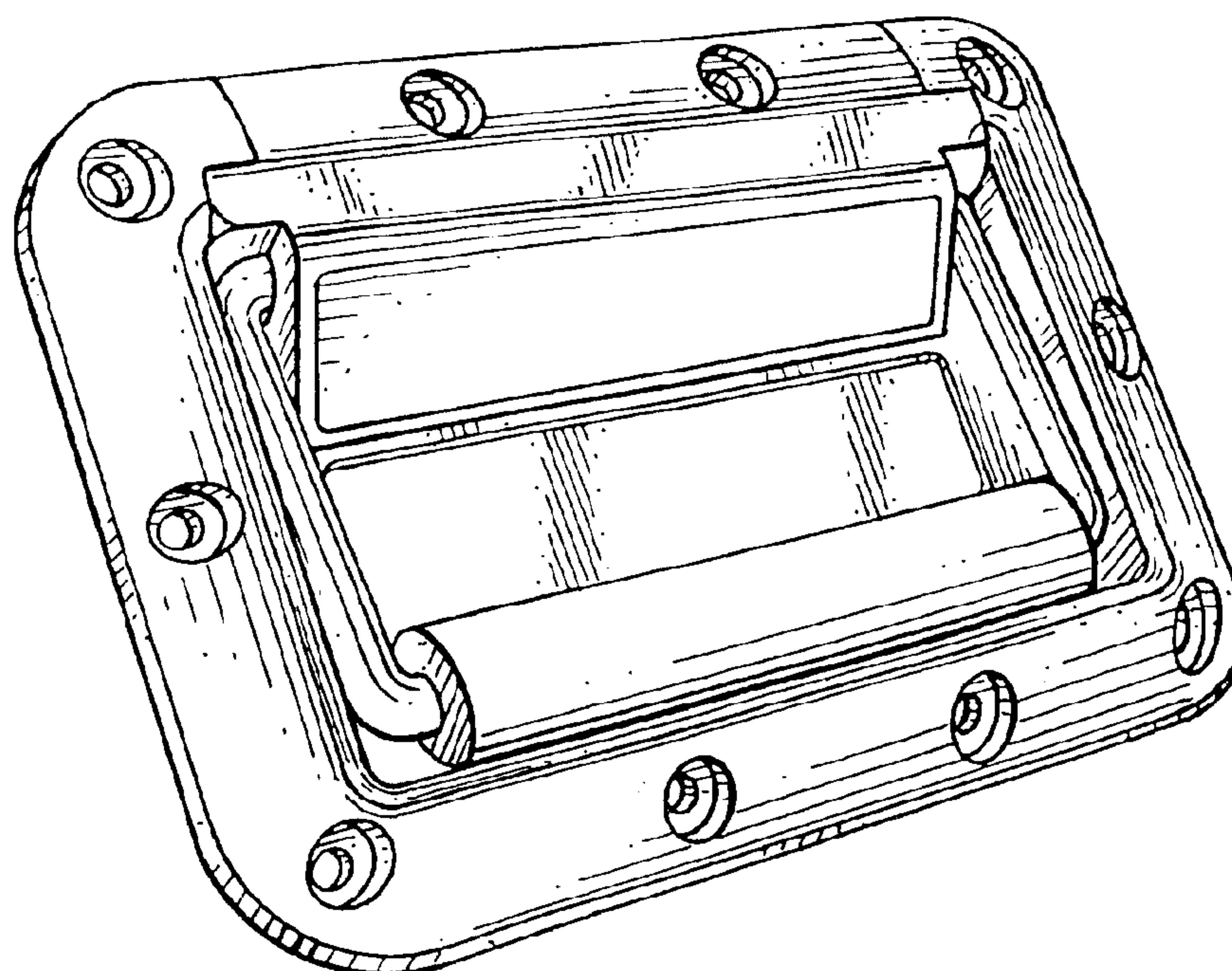
(57) **CLAIM**

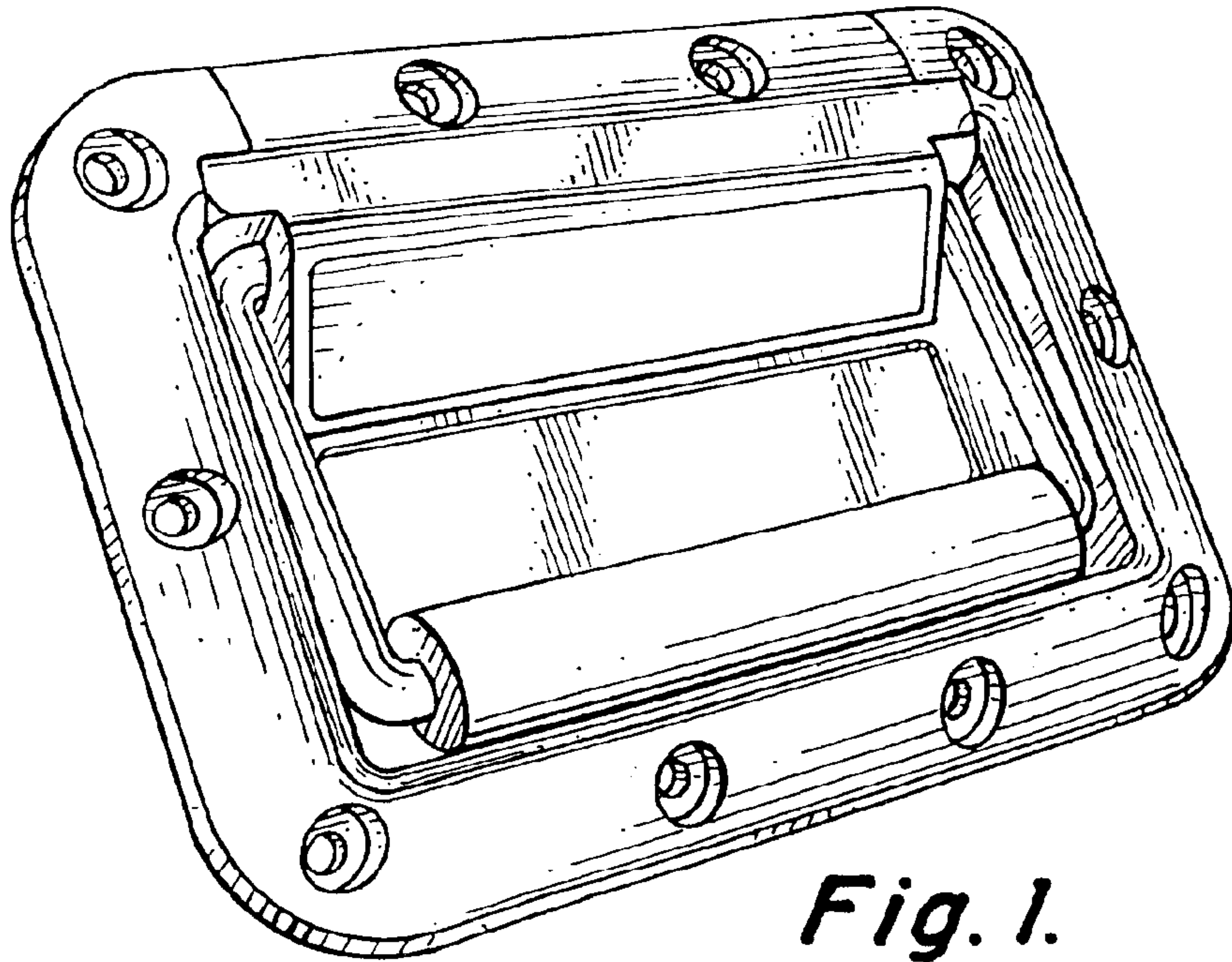
The ornamental design for a recessed flip handle, as shown and described.

**DESCRIPTION**

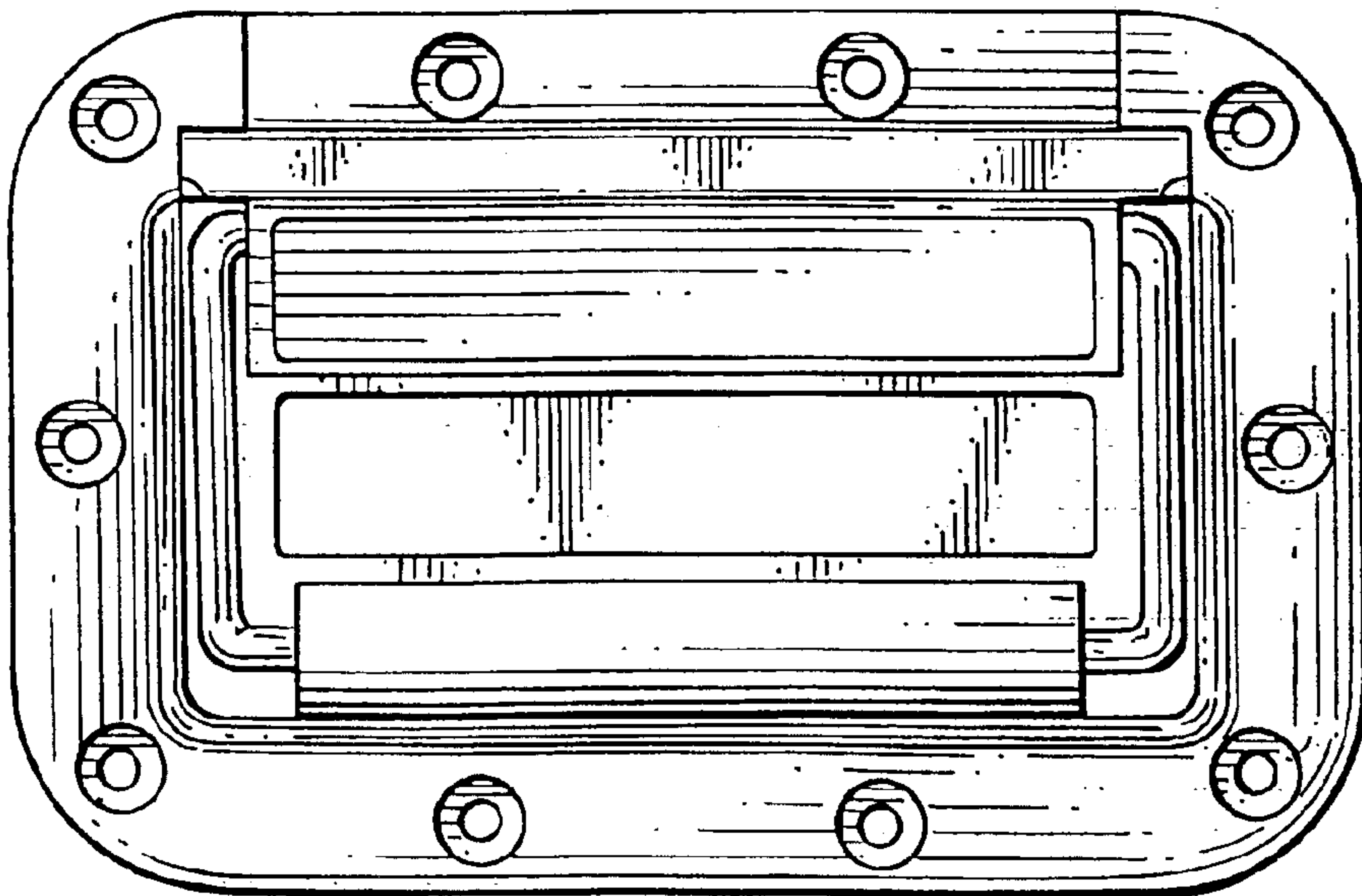
FIG. 1 is a perspective view;  
FIG. 2 is a front view;  
FIG. 3 is a right side view, the left side view being identical;  
FIG. 4 is a rear view;  
FIG. 5 is a top view; and,  
FIG. 6 is a bottom view.

**1 Claim, 2 Drawing Sheets**

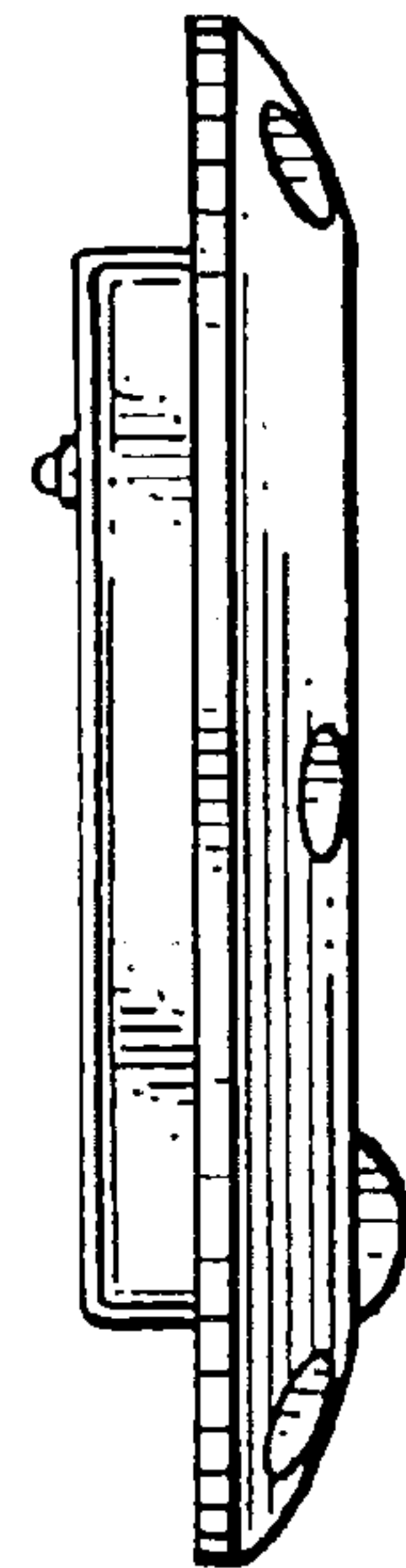




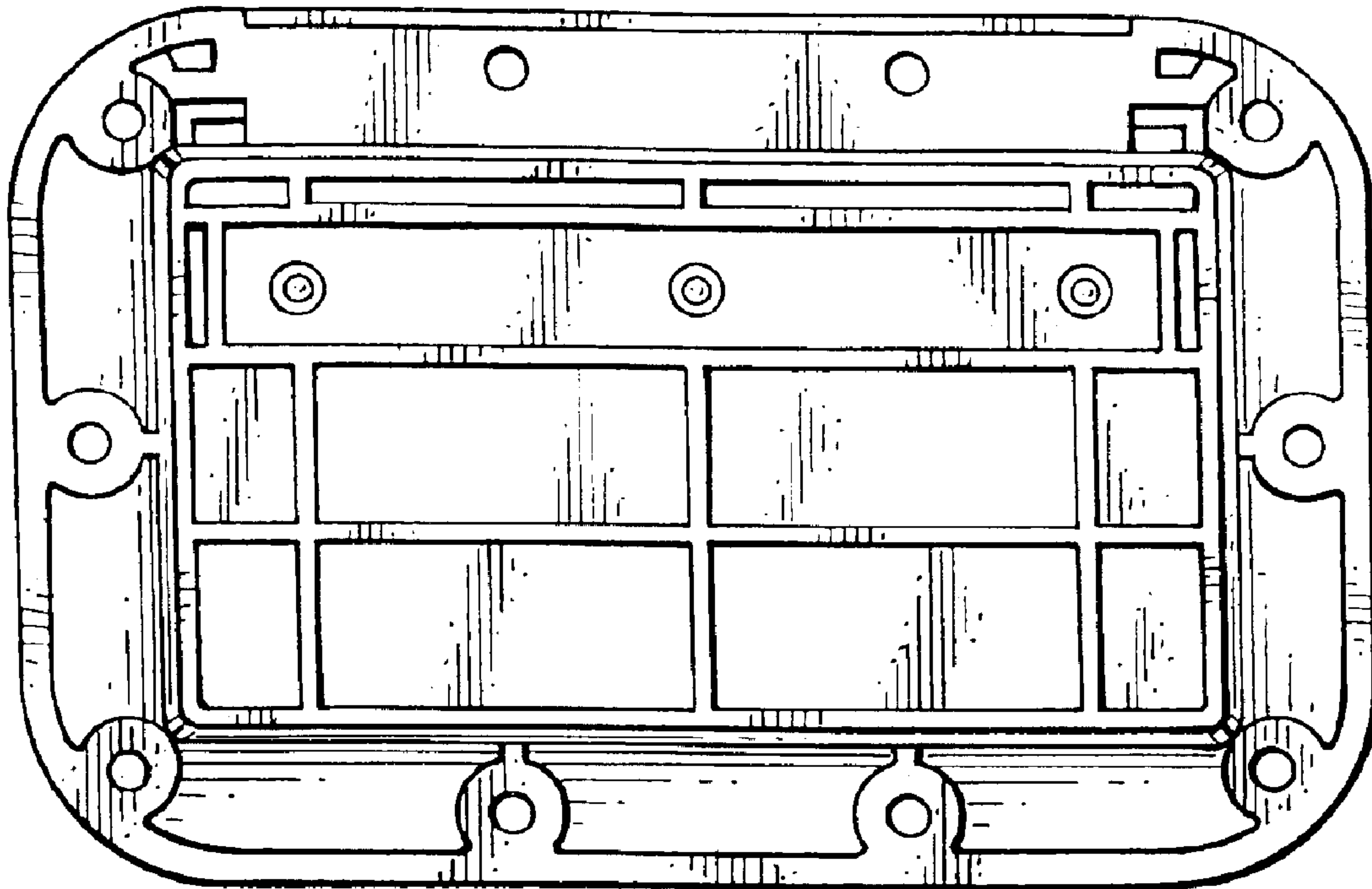
*Fig. 1.*



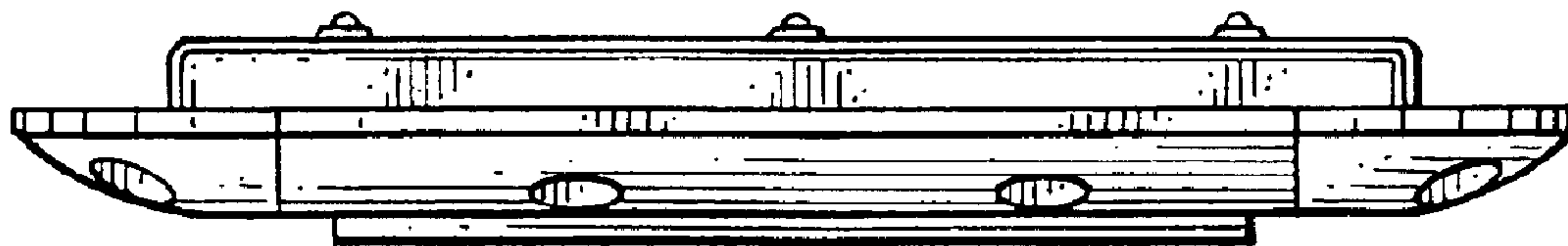
*Fig. 2.*



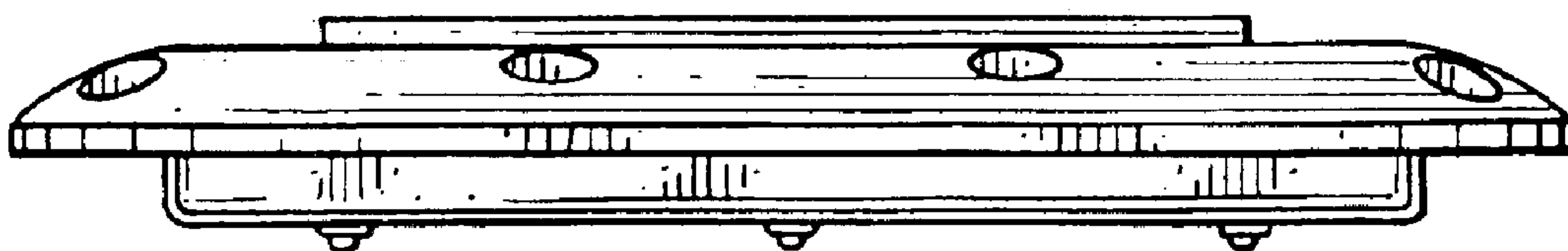
*Fig. 3.*



*Fig. 4.*



*Fig. 5.*



*Fig. 6.*