



US00D513958S

(12) **United States Design Patent**
Ray

(10) **Patent No.:** **US D513,958 S**
(45) **Date of Patent:** **** Jan. 31, 2006**

- (54) **KNIFE HANDLE**
- (75) **Inventor:** **James E. Ray**, Waynesville, NC (US)
- (73) **Assignee:** **Blackhawk Industries Product Group Unlimited LLC**, Norfolk, VA (US)
- (**) **Term:** **14 Years**
- (21) **Appl. No.:** **29/203,992**
- (22) **Filed:** **Apr. 22, 2004**
- (51) **LOC (8) Cl.** **08-03**
- (52) **U.S. Cl.** **D8/99**
- (58) **Field of Classification Search** D8/98,
D8/99, 105, 107; 30/153, 154, 155, 156,
30/157, 158, 159, 160, 161
See application file for complete search history.

- D435,776 S * 1/2001 Veltz et al. D8/99
- D447,925 S * 9/2001 Osborne D8/107
- D489,956 S * 5/2004 Rae D8/99
- D494,440 S * 8/2004 Carter, III D8/107

* cited by examiner

Primary Examiner—Philip S. Hyder
(74) *Attorney, Agent, or Firm*—Bowman Green Hampton & Kelly, PLLC

(57) **CLAIM**

The ornamental design for a knife handle, as shown and described.

DESCRIPTION

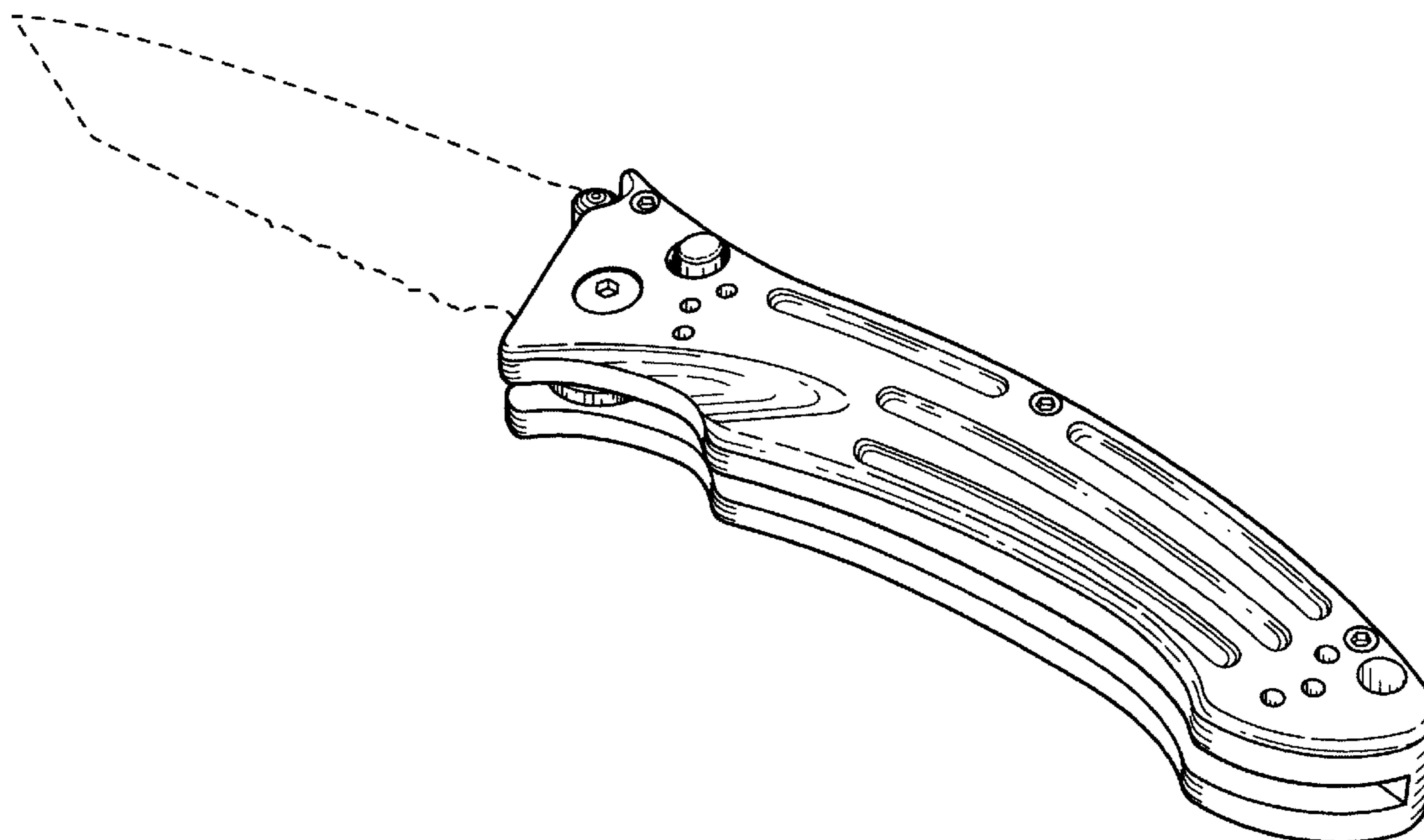
FIG. 1 is a front perspective view of a knife handle showing my new design, it being understood that the broken line disclosure of a knife blade is for illustrative purposes only and forms no part of the claimed design;
FIG. 2 is a front elevation view of my knife handle of FIG. 1;
FIG. 3 is a rear side elevation view of my knife handle of FIG. 1;
FIG. 4 is a bottom elevation view of my knife handle of FIG. 1;
FIG. 5 is a top elevation view of my knife handle of FIG. 1, FIG. 6 is a top plan view of my knife handle of FIG. 1; and, FIG. 7 is a bottom plan view of my knife handle of FIG. 1.

1 Claim, 3 Drawing Sheets

(56) **References Cited**

U.S. PATENT DOCUMENTS

- D373,521 S * 9/1996 Applegate et al. D8/99
- D392,539 S * 3/1998 Balolia D8/99
- D399,403 S * 10/1998 Pohl D8/99
- D407,961 S * 4/1999 Balolia D8/99
- D412,275 S * 7/1999 Collins D8/99
- D422,478 S * 4/2000 Elishewitz D8/99
- D422,480 S * 4/2000 McHenry et al. D8/107
- D422,871 S * 4/2000 Terzuola D8/99
- D431,991 S * 10/2000 Elishewitz D8/99



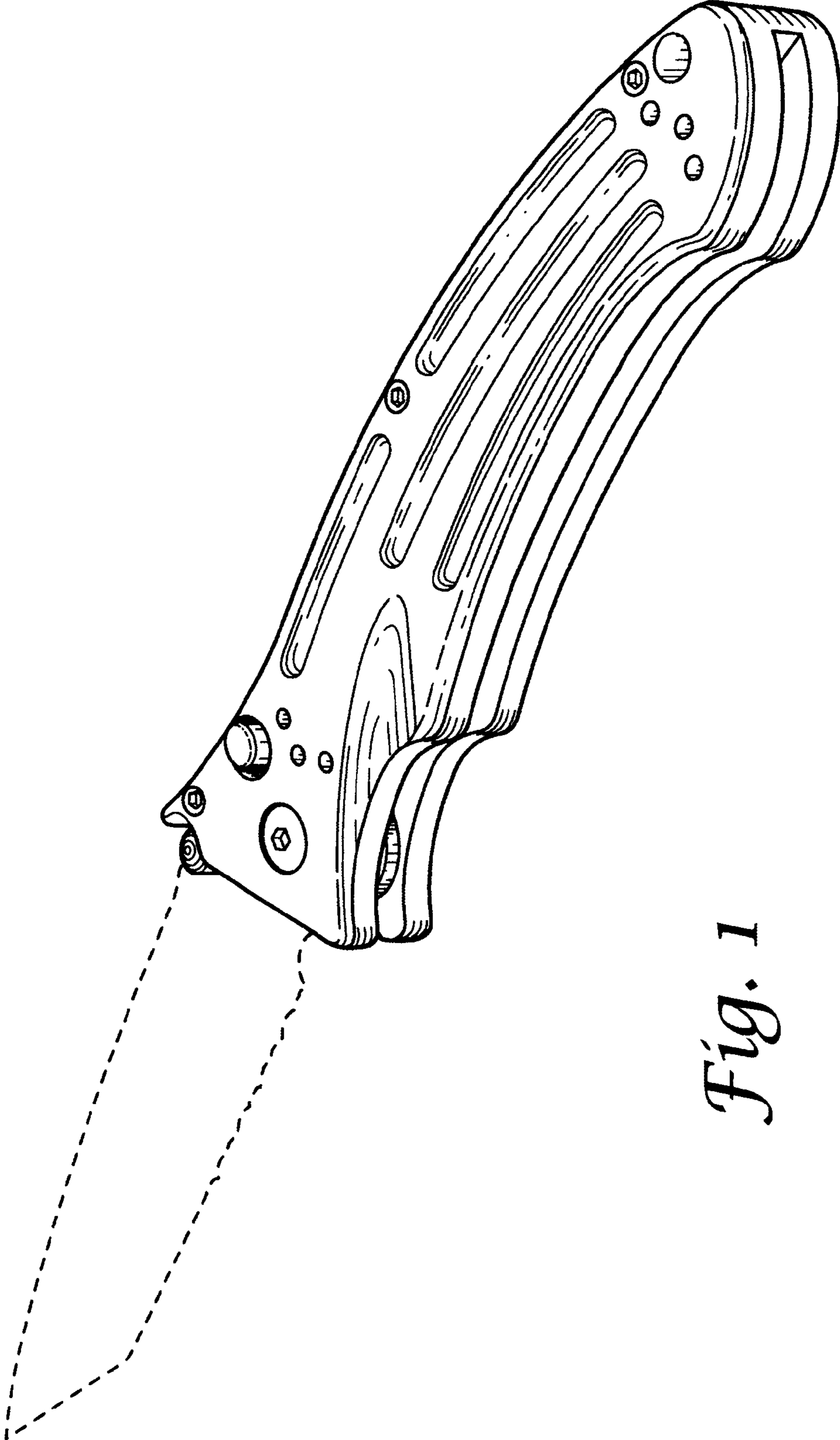


Fig. 1

Fig. 2

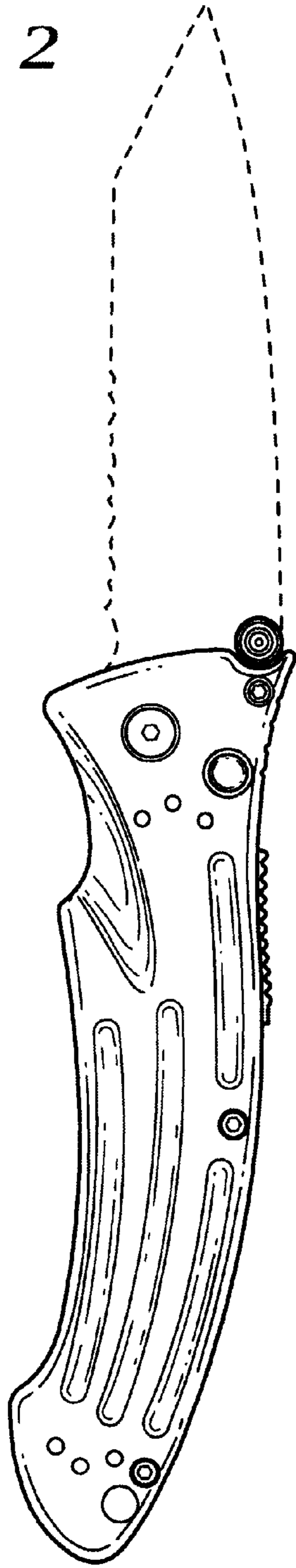
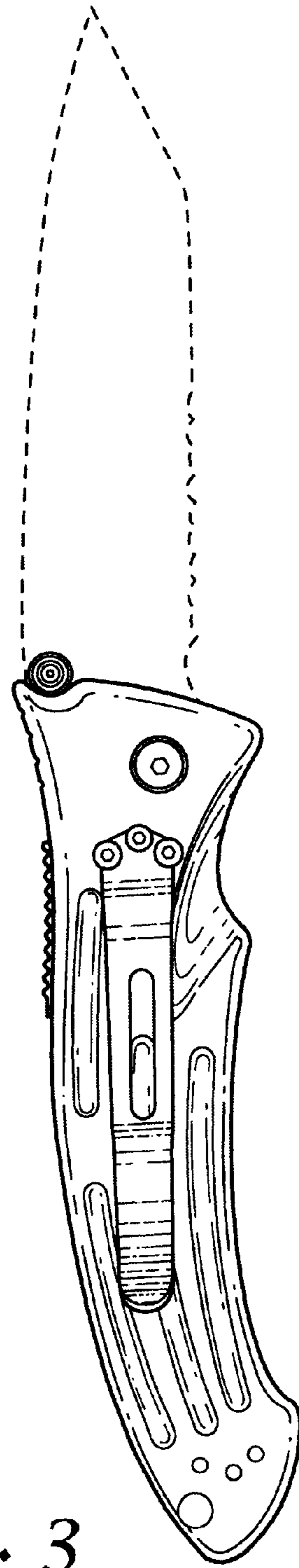


Fig. 3



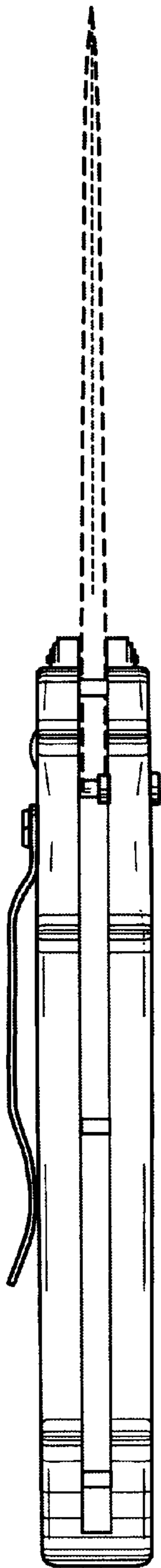


Fig. 4

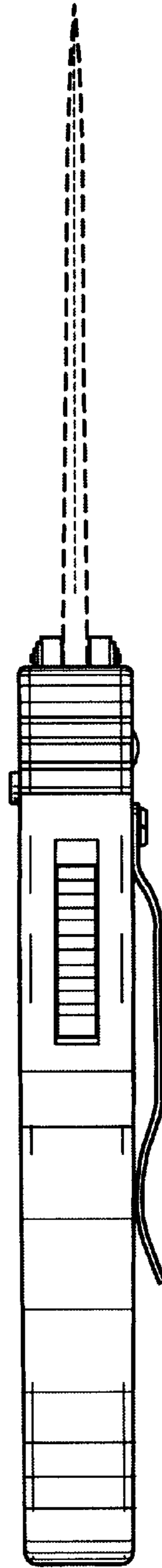


Fig. 5

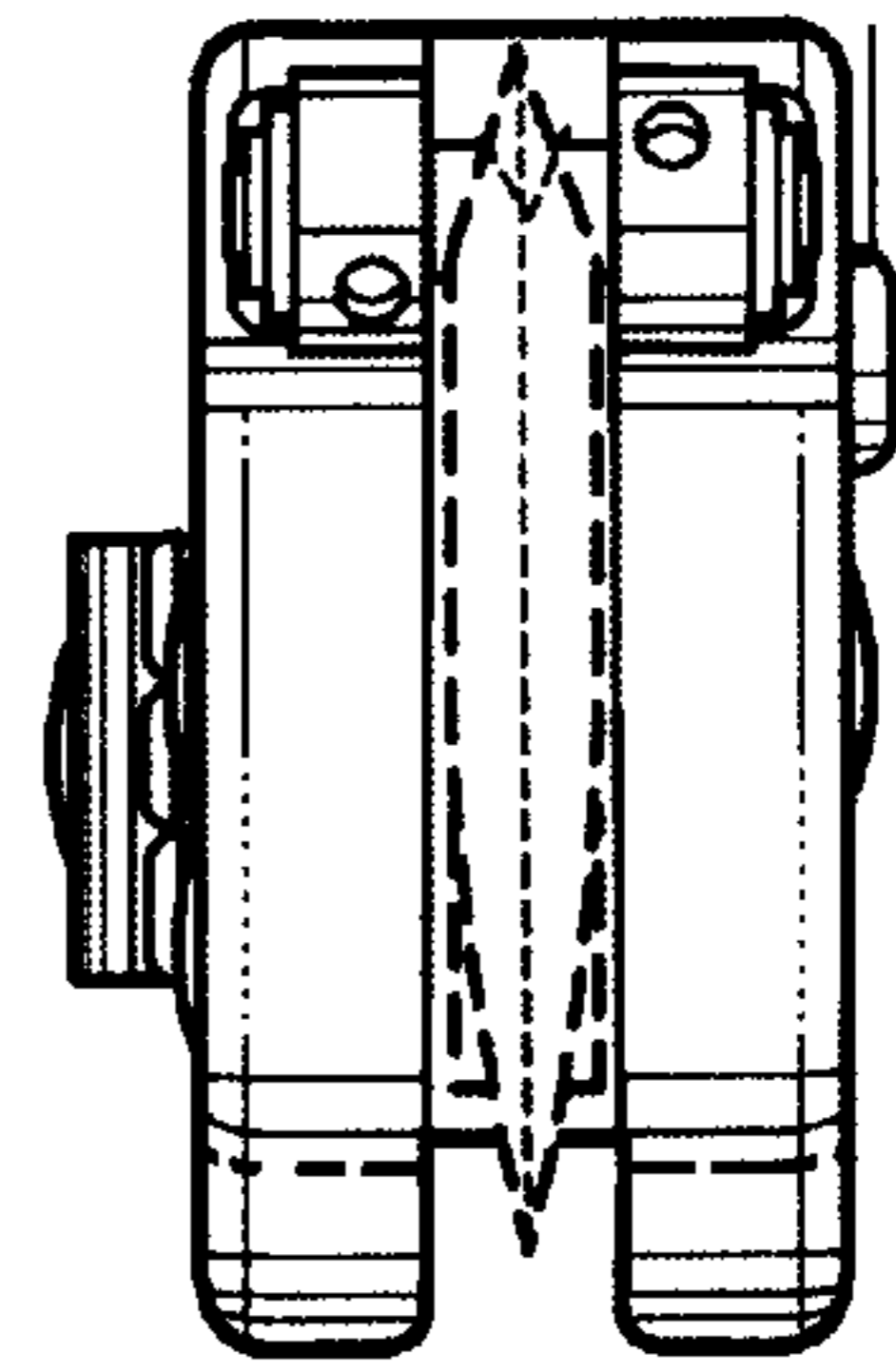


Fig. 6

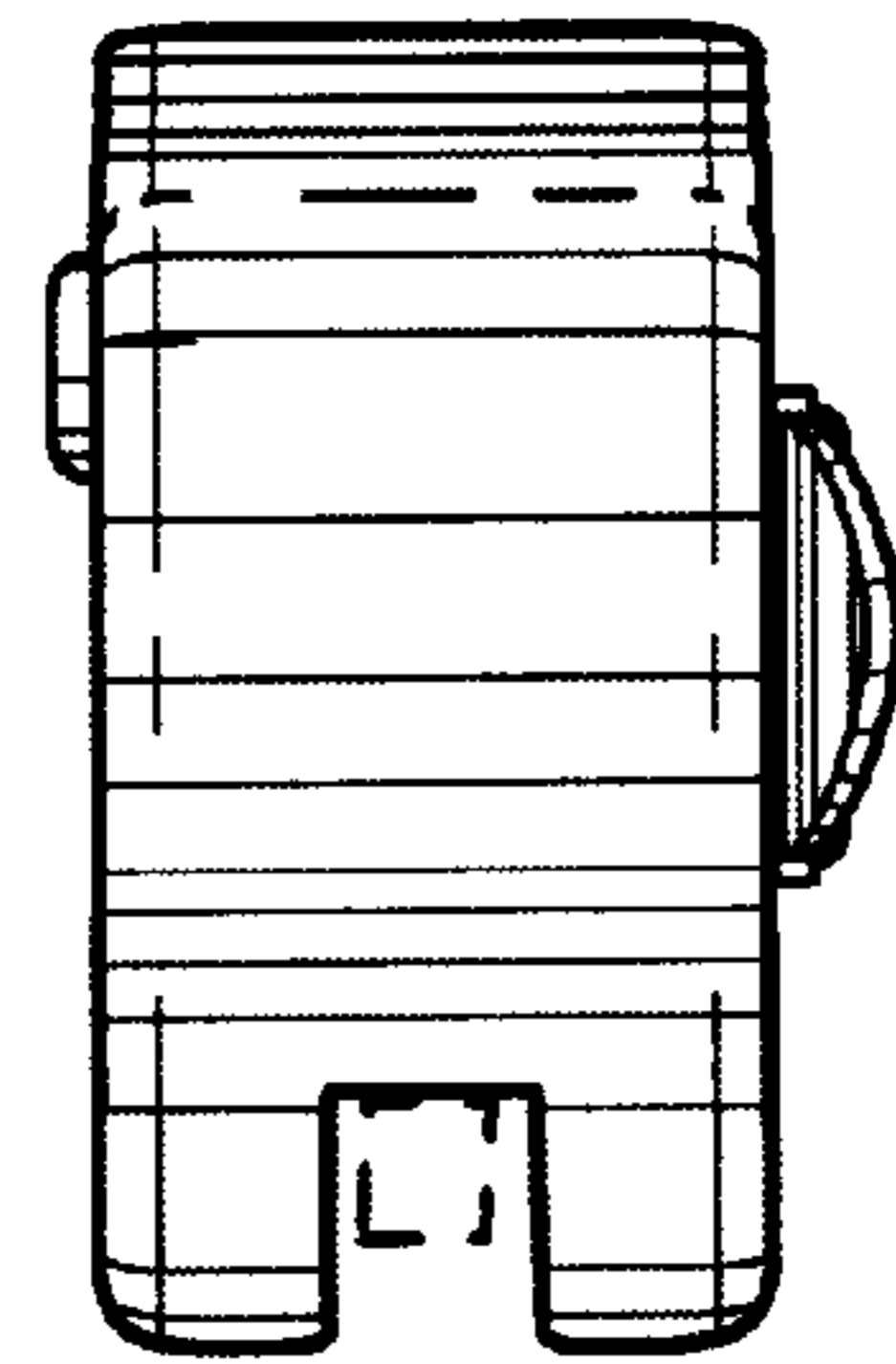


Fig. 7