



US00D513951S

(12) **United States Design Patent**  
**Chung et al.**

(10) **Patent No.: US D513,951 S**  
(45) **Date of Patent: \*\* Jan. 31, 2006**

- (54) **SCREW GUN**
- (75) Inventors: **Ka Wai Chung**, Tuen Mun (HK); **Taku Ohi**, Greer, SC (US)
- (73) Assignee: **One World Technologies Limited**, Hamilton (BM)
- (\*\*) Term: **14 Years**
- (21) Appl. No.: **29/215,835**
- (22) Filed: **Oct. 26, 2004**
- (51) **LOC (8) Cl. .... 08-04**
- (52) **U.S. Cl. .... D8/68**
- (58) **Field of Classification Search** ..... D8/14.1,  
D8/61, 62, 63, 64, 65, 66, 67, 68, 69, 70;  
81/57.11, 429, 464, 465, 466, 469, 489; 173/13,  
173/169, 178, 213, 217; 227/8, 114, 120,  
227/130, 136, 142; 310/50; 408/20, 124,  
408/125, 234, 241 R; 451/358  
See application file for complete search history.

- D406,740 S 3/1999 Zurwelle
- D406,742 S \* 3/1999 Schoen et al. .... D8/68
- D426,125 S 6/2000 Hayakawa et al.
- D439,123 S \* 3/2001 Sakai et al. .... D8/68
- D441,268 S \* 5/2001 Heun ..... D8/68
- D452,639 S 1/2002 Zurwelle
- D466,386 S \* 12/2002 Zurwelle ..... D8/68
- D470,737 S 2/2003 Chunn et al.
- 6,536,537 B1 3/2003 Sasaki et al.
- D482,254 S \* 11/2003 Tsuzuki et al. .... D8/68
- D490,677 S 6/2004 Chung et al.
- D498,400 S \* 11/2004 Wu ..... D8/68
- 2003/0070822 A1 \* 4/2003 Kanzaki et al. .... 173/217

\* cited by examiner

*Primary Examiner*—Gary D. Watson  
*Assistant Examiner*—T. Chase Nelson  
(74) *Attorney, Agent, or Firm*—Brinks Hofer Gilson & Lione

(57) **CLAIM**

We claim the ornamental design for a screw gun, as shown and described.

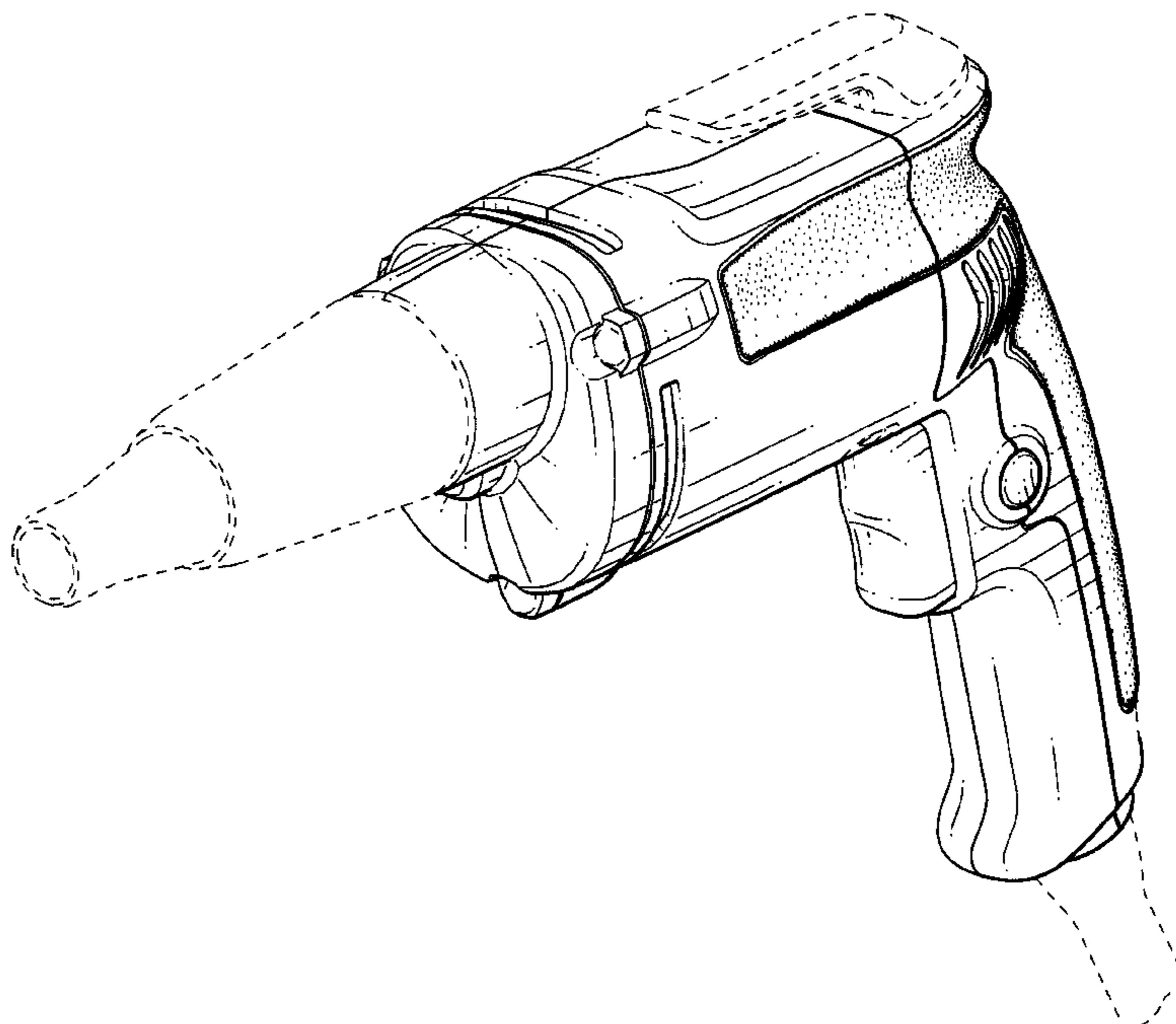
**DESCRIPTION**

FIG. 1 is a top perspective view of a screw gun of the present invention;  
FIG. 2 is a first side view thereof;  
FIG. 3 is a second side view thereof;  
FIG. 4 is a front view thereof;  
FIG. 5 is a rear view thereof;  
FIG. 6 is a top view thereof; and,  
FIG. 7 is a bottom view thereof.  
Any broken lines in the drawings are for illustrative purposes only and form no part of the claimed design.

**1 Claim, 5 Drawing Sheets**

(56) **References Cited**  
**U.S. PATENT DOCUMENTS**

- D279,862 S \* 7/1985 Sato et al. .... D8/61
- D280,883 S \* 10/1985 Sakamoto et al. .... D8/68
- 4,809,572 A \* 3/1989 Sasaki ..... 81/429
- D304,287 S \* 10/1989 Zurwelle ..... D8/68
- 5,056,607 A \* 10/1991 Sanders ..... 173/217
- D325,861 S \* 5/1992 Saito et al. .... D8/68
- D344,000 S \* 2/1994 Shibata et al. .... D8/68
- D353,526 S \* 12/1994 Hoshino ..... D8/68
- 5,568,849 A \* 10/1996 Sasaki et al. .... 81/429
- D400,416 S \* 11/1998 Zurwelle ..... D8/68
- D403,565 S \* 1/1999 Chung ..... D8/68



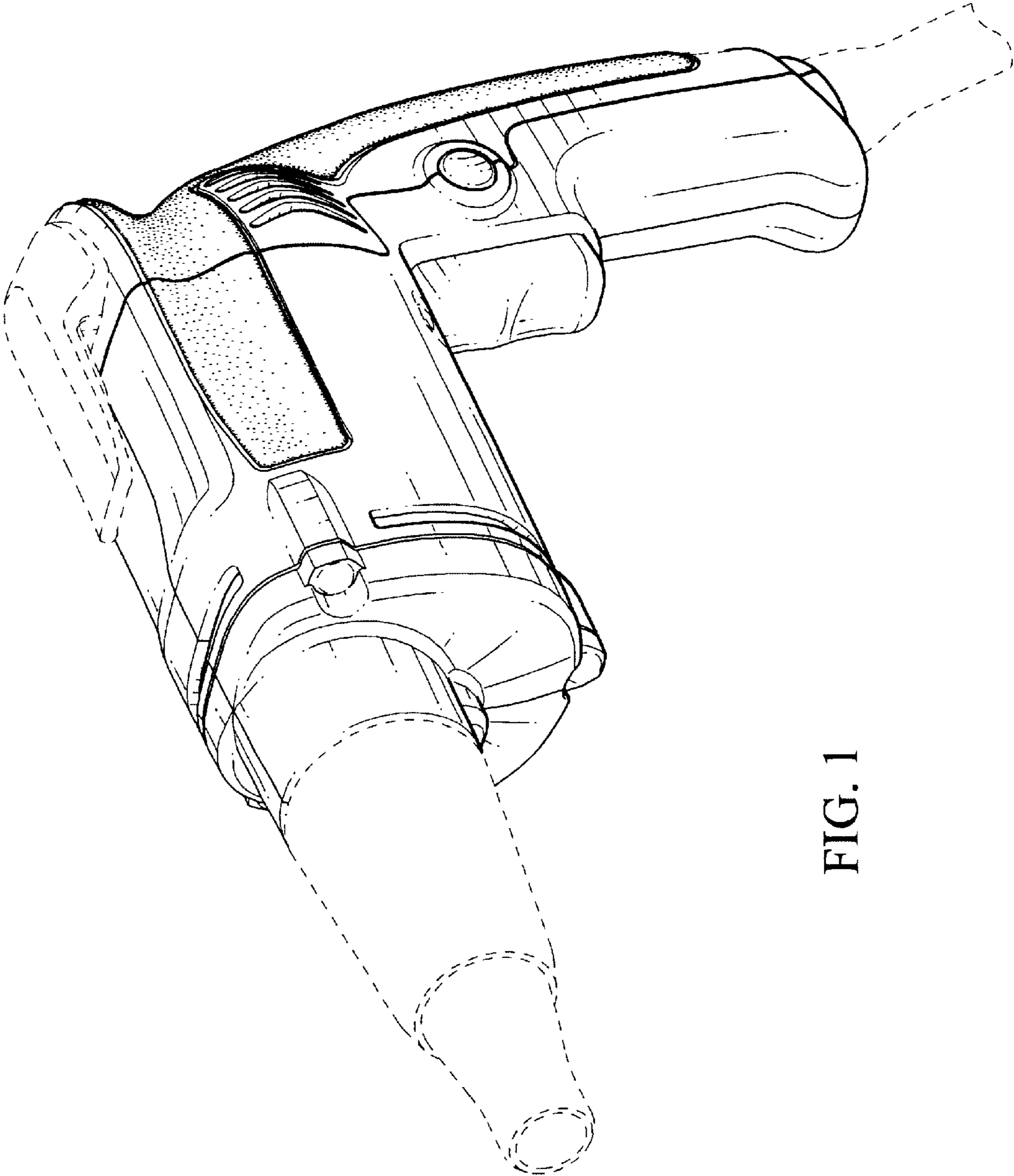


FIG. 1

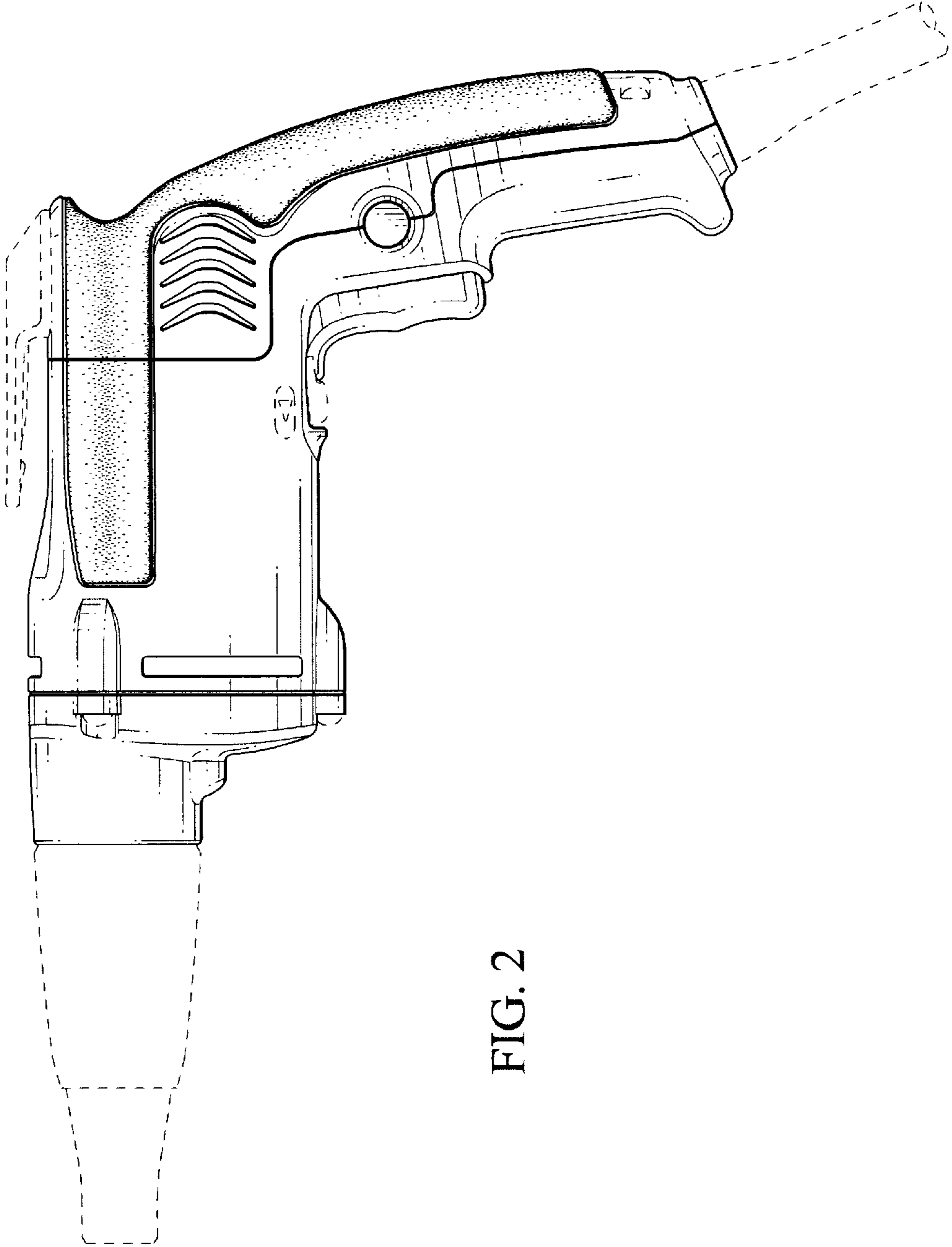


FIG. 2

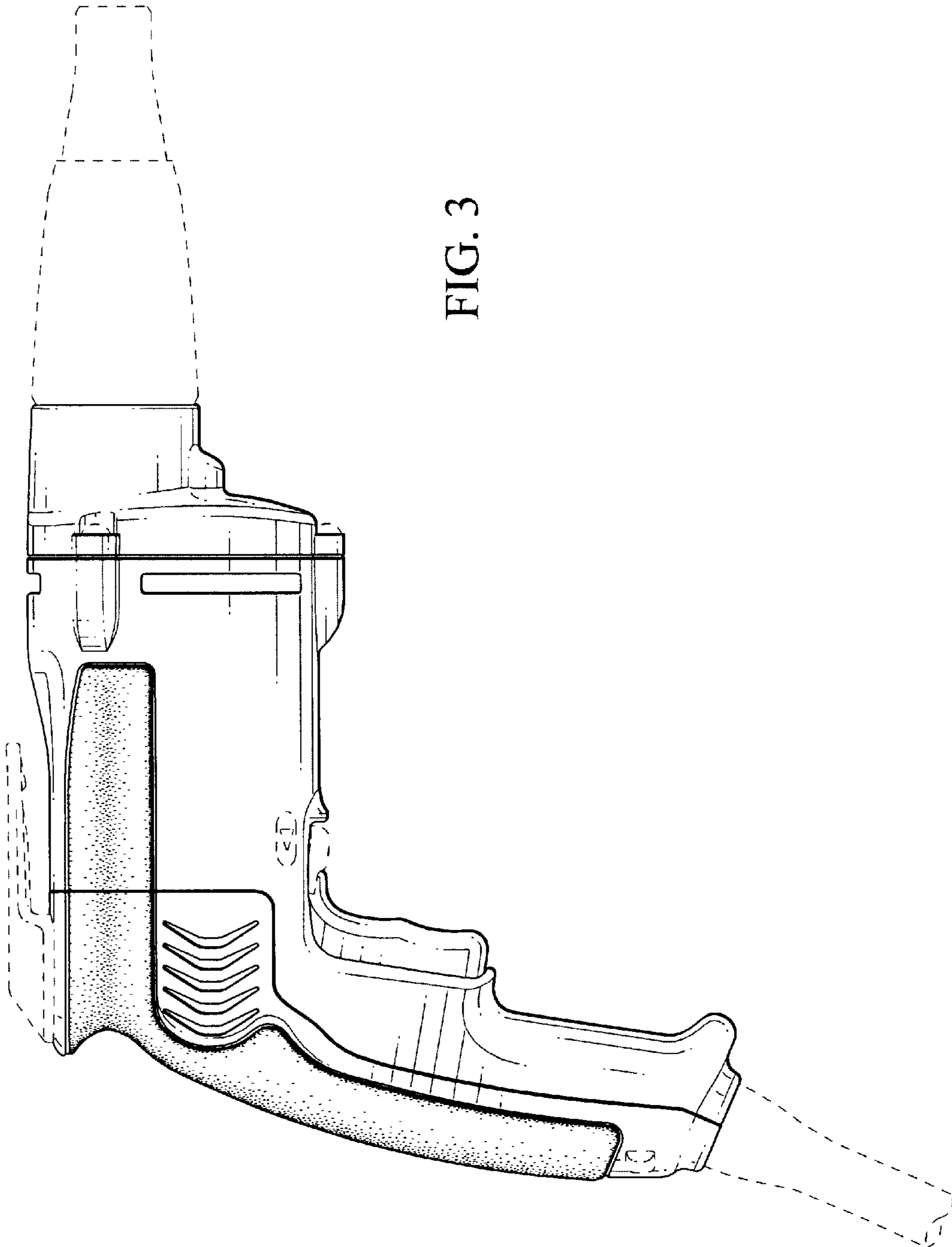


FIG. 3

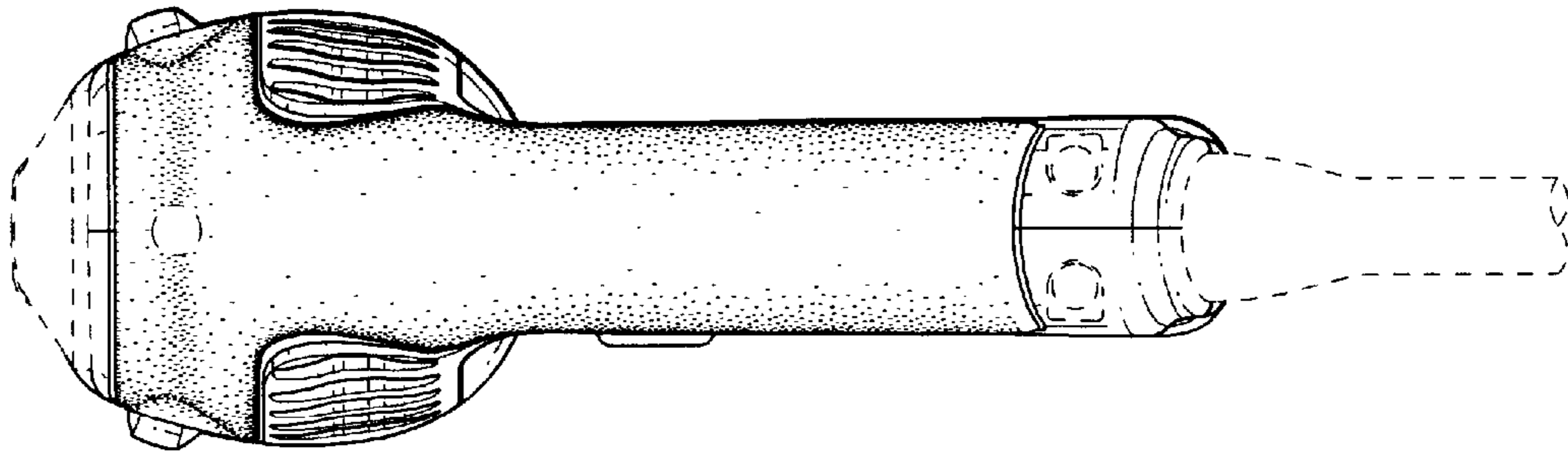


FIG. 5

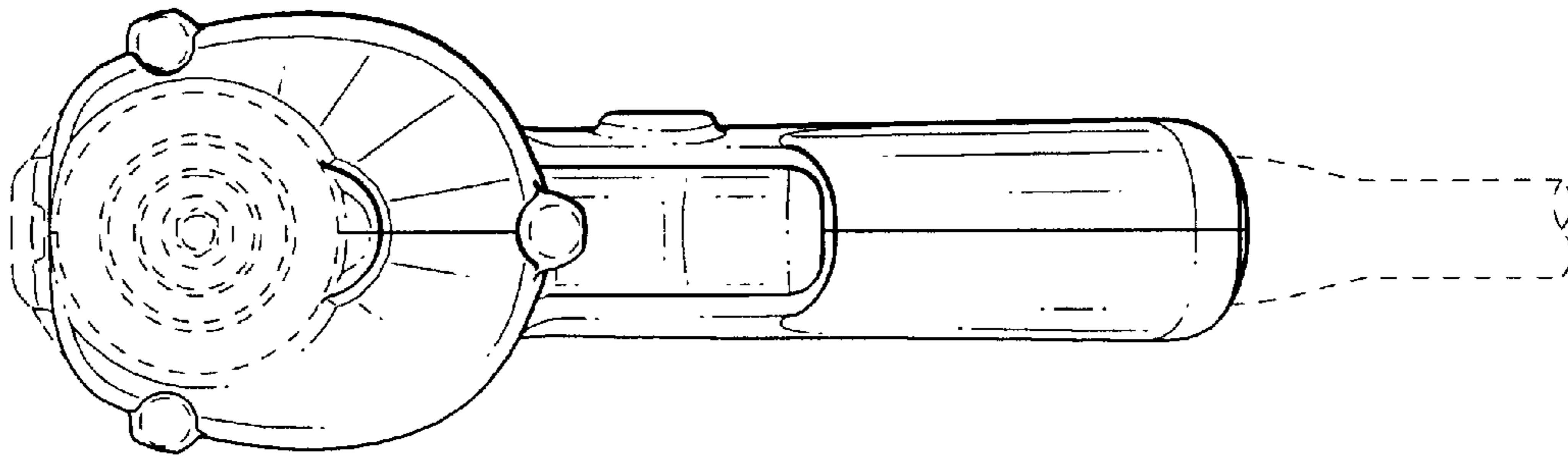


FIG. 4

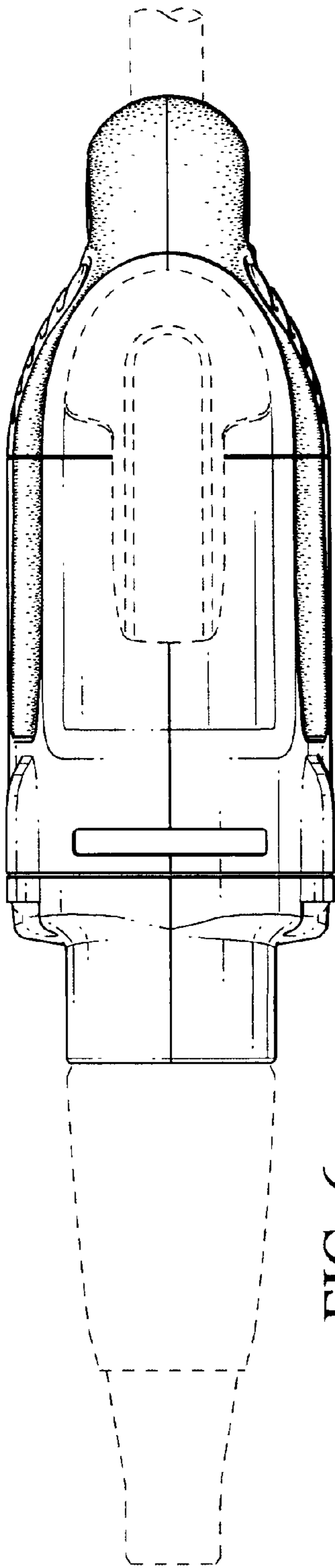


FIG. 6

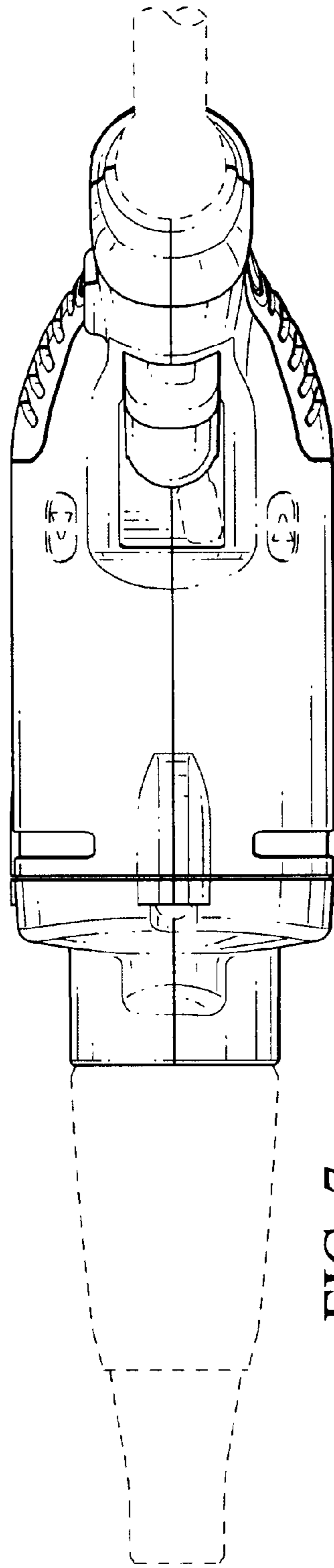


FIG. 7