



US00D513937S

(12) **United States Design Patent** (10) **Patent No.:** **US D513,937 S**  
**Cox** (45) **Date of Patent:** **\*\* Jan. 31, 2006**

(54) **SPORTS-THEMED BEVERAGE CAN INSULATOR AND HOLDER**

D295,709 S \* 5/1988 Evans et al. .... D7/620  
 D329,175 S \* 9/1992 Harber ..... D7/620  
 D441,614 S \* 5/2001 Carroll ..... D7/624.2  
 D485,733 S \* 1/2004 Stuart ..... D7/625

(76) Inventor: **Brett Cox**, 16162 Whitehead Dr., Linden, MI (US) 48451

\* cited by examiner

(\*\*) Term: **14 Years**

*Primary Examiner*—Terry A. Wallace  
 (74) *Attorney, Agent, or Firm*—Eric Hanscom

(21) Appl. No.: **29/215,221**

(57) **CLAIM**

(22) Filed: **Oct. 18, 2004**

The ornamental design for a sports-themed beverage can insulator and holder, as shown.

(51) **LOC (8) Cl.** ..... **07-01**

(52) **U.S. Cl.** ..... **D7/606; D7/625**

(58) **Field of Classification Search** ..... D7/603–608,  
 D7/619.1–625; D2/610, 614, 617; D29/113,  
 D29/117; 62/457.1–457.9; 211/71.01, 74;  
 220/737, 739, 903, 906; 248/309.1, 311.2

**DESCRIPTION**

See application file for complete search history.

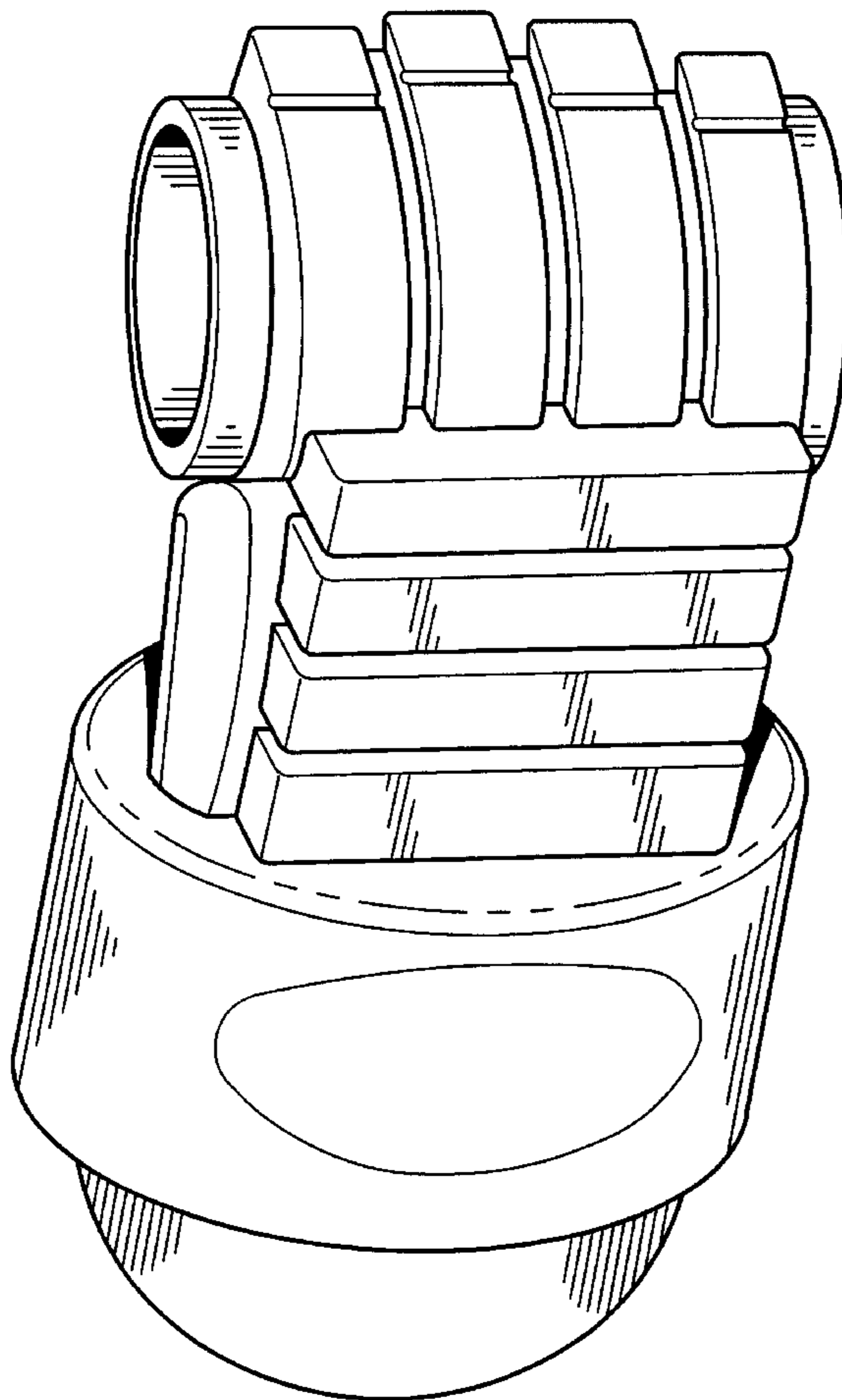
FIG. 1 is a front elevational view of a sports-themed beverage can insulator and holder showing my new design; FIG. 2 is a top view thereof; FIG. 3 is a right side view thereof; FIG. 4 is a front view thereof; FIG. 5 is a right side view thereof; FIG. 6 is a bottom view thereof; and, FIG. 7 is a back view thereof.

(56) **References Cited**

**U.S. PATENT DOCUMENTS**

D227,531 S \* 7/1973 Berger ..... D7/517  
 4,163,374 A \* 8/1979 Moore et al. .... 62/457.4  
 D284,806 S \* 7/1986 Dzierson et al. .... D7/619.2

**1 Claim, 3 Drawing Sheets**



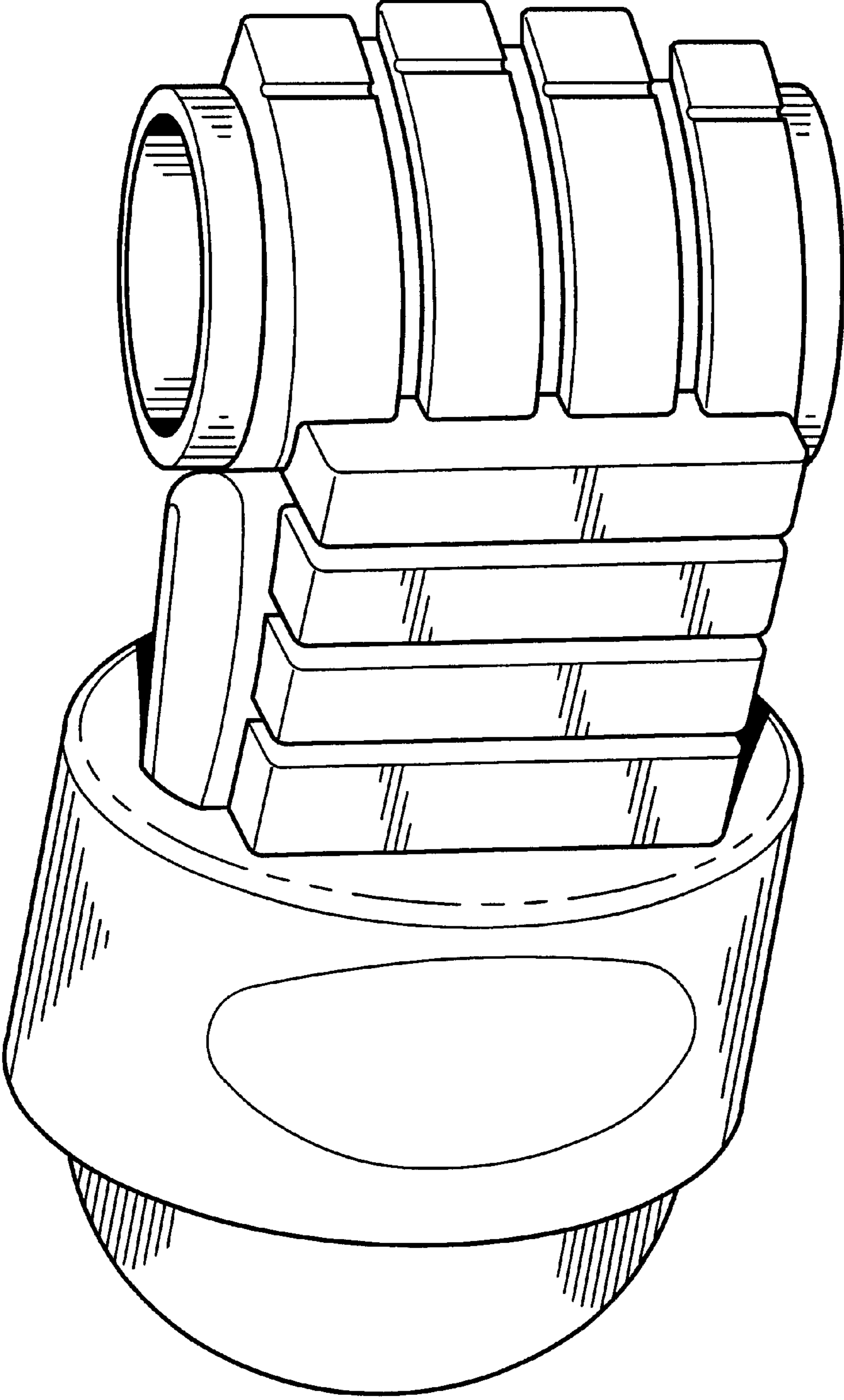


FIG. 1

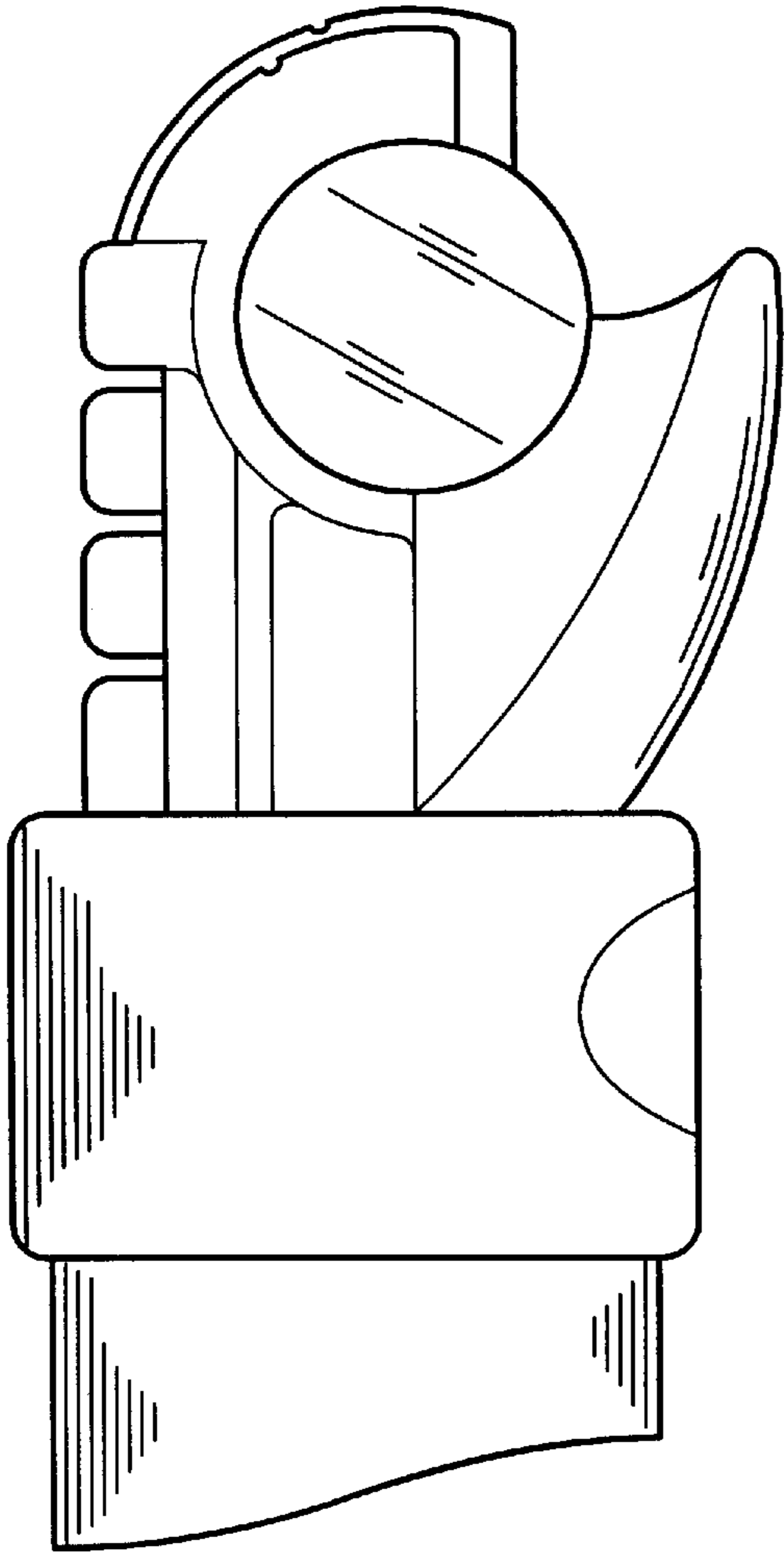


FIG. 2

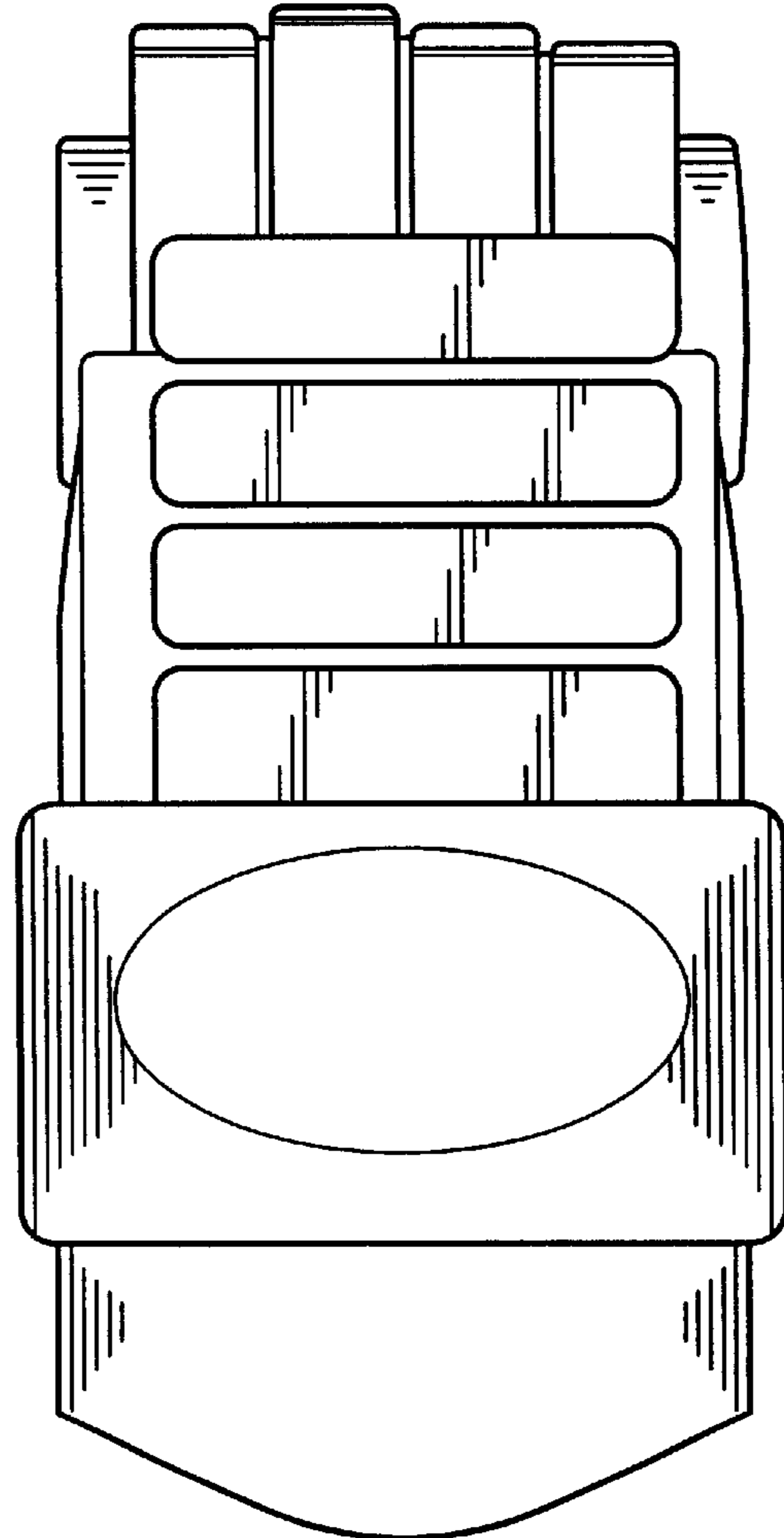


FIG. 3

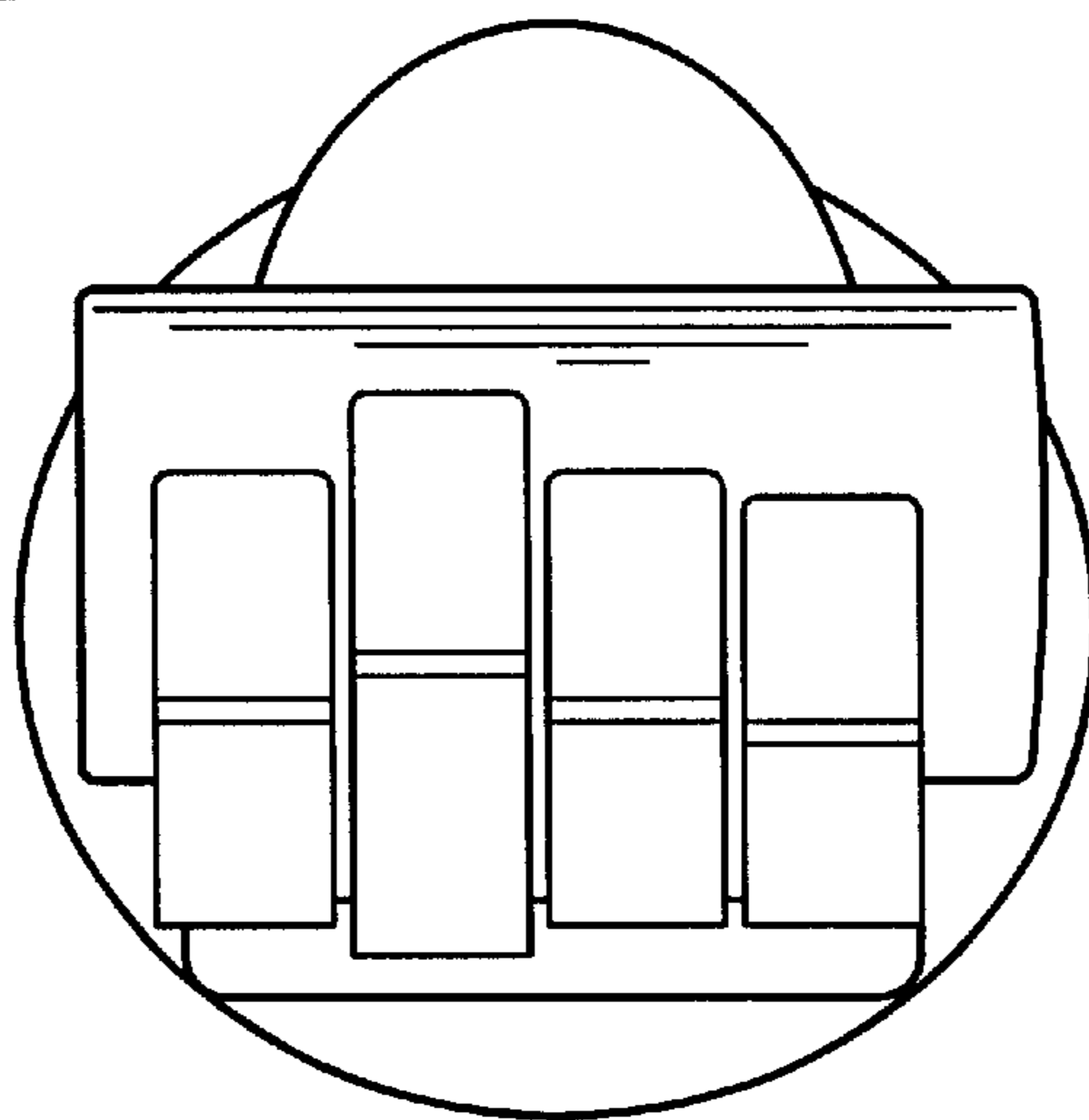


FIG. 4

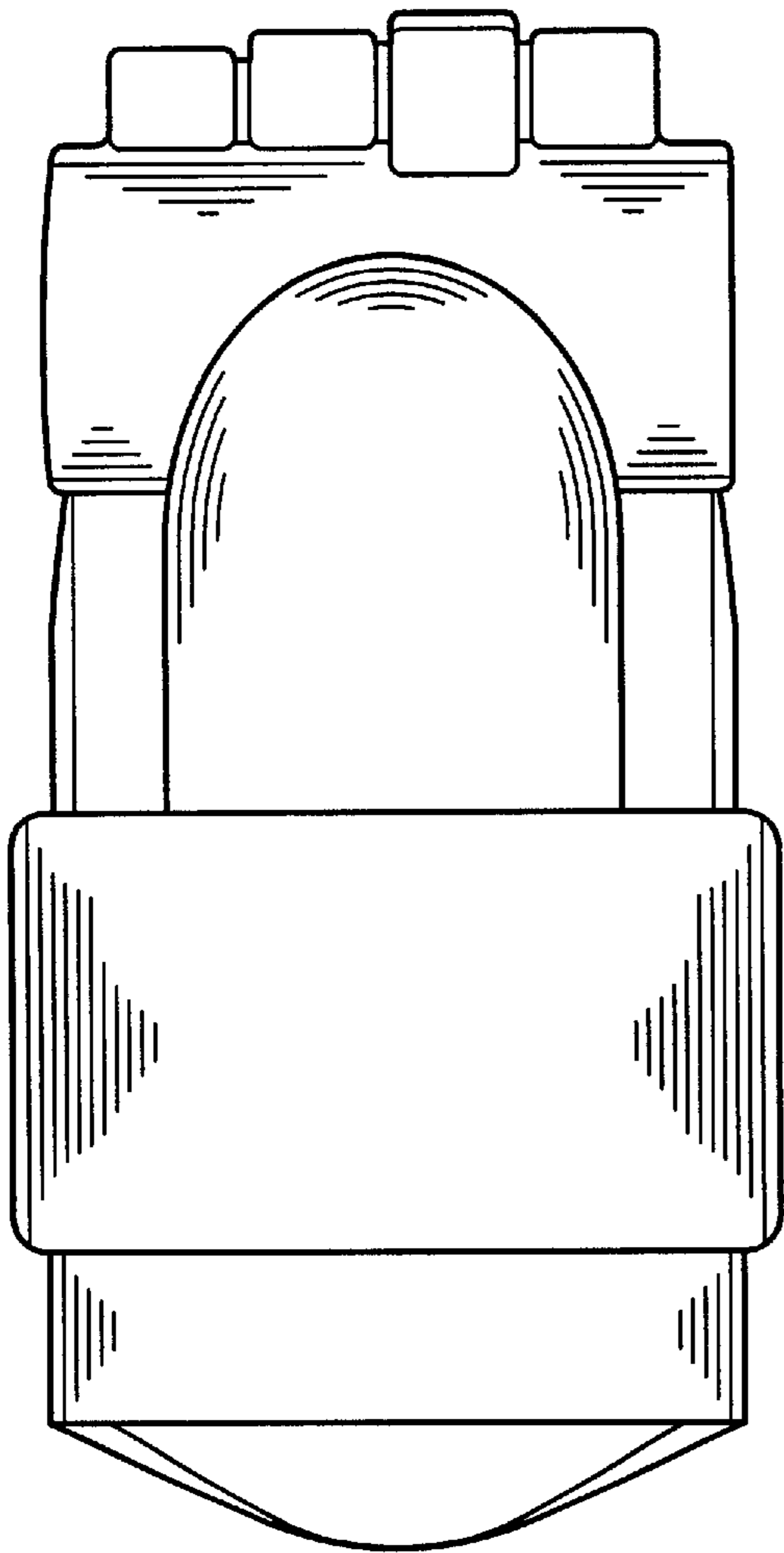


FIG. 5

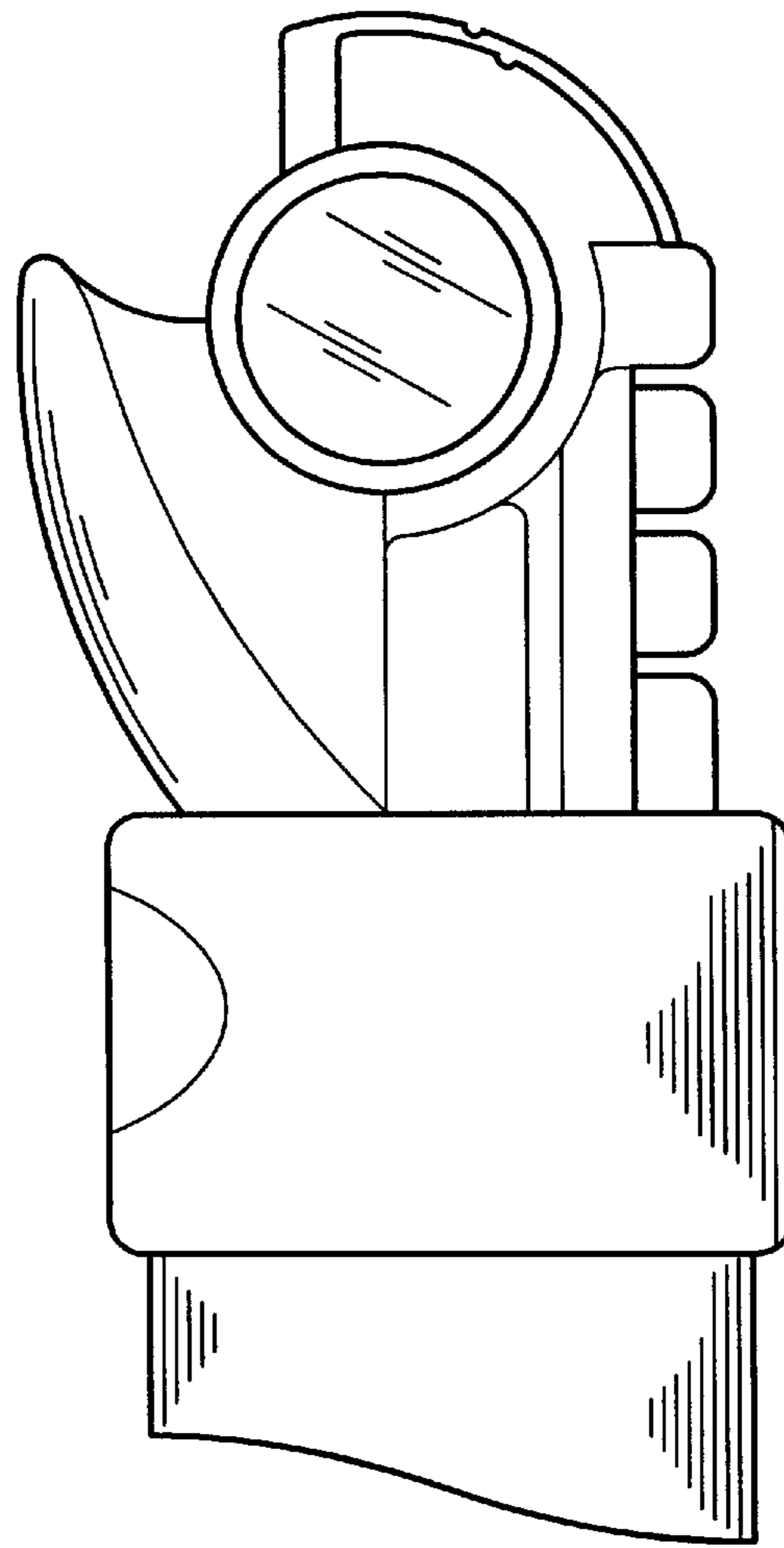


FIG. 6

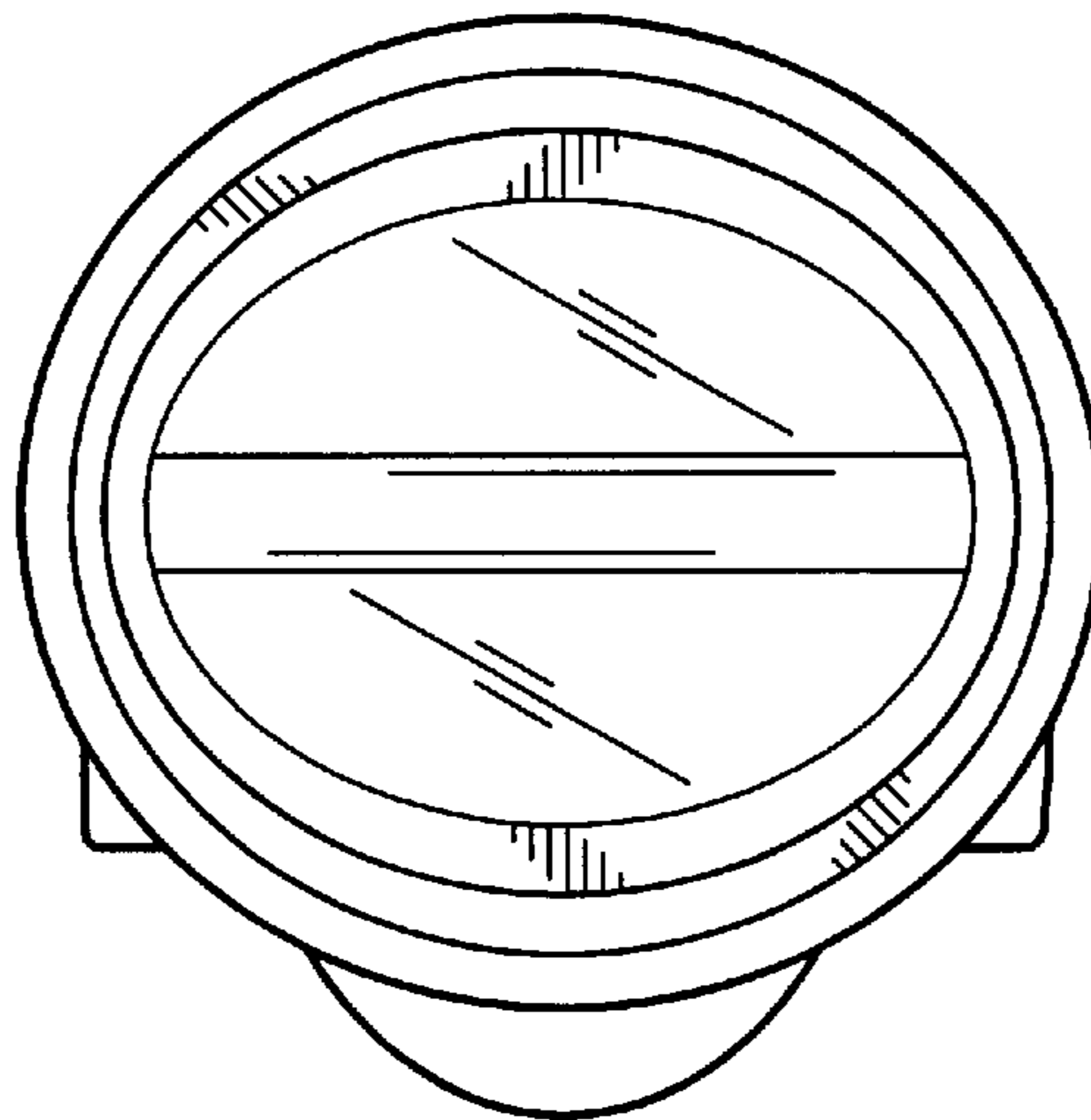


FIG. 7