



US00D513936S

(12) **United States Design Patent** (10) **Patent No.:** **US D513,936 S**  
**Kixmoeller** (45) **Date of Patent:** **\*\* Jan. 31, 2006**

(54) **HOLDING DEVICE FOR A COOKING CONTAINER LID**

(75) Inventor: **Kenneth Browne Kixmoeller**,  
Birchwood Village, MN (US)

(73) Assignee: **Jaguar Marketing Services, Inc.**,  
Birchwood Village, MN (US)

(\*\*) Term: **14 Years**

(21) Appl. No.: **29/201,709**

(22) Filed: **Mar. 18, 2004**

(51) **LOC (8) Cl.** ..... **07-99**

(52) **U.S. Cl.** ..... **D7/601**

(58) **Field of Classification Search** ..... D7/601,  
D7/637, 619, 701; 211/41.11, 87.01, 40, 85.17;  
248/468, 488, 490, 491, 309.1, 311.2; 312/9.11,  
312/9.16, 9.17

See application file for complete search history.

(56) **References Cited**

**U.S. PATENT DOCUMENTS**

2,300,781 A	11/1942	Gilley
2,367,256 A	1/1945	Atkins
2,466,149 A	4/1949	Burg
2,634,865 A	4/1953	Geheb
3,219,182 A	11/1965	Cornwell, Jr.
4,106,742 A	8/1978	Miller et al.
4,776,469 A	10/1988	Geleziunas
4,998,627 A	3/1991	Elder
5,242,060 A	9/1993	Chiang et al.
D361,713 S	8/1995	Grant
5,711,433 A	1/1998	Smith
6,533,128 B1	3/2003	Beneway
6,601,805 B1	8/2003	Kapp

**OTHER PUBLICATIONS**

Welcome to Get Organized—Organization Products to Simplify Your Life!, <http://www.shopgetorganized.com/prodetail.asp?itemNo=0700&ID=KI>, pp. 1–2, (last date visited on Jun. 10, 2004) (lid organizer).

3-Way Lid Organizer, <http://store.yahoo.com/spacesavers/3waylidor.html>, p. 1, (last date visited on Jun. 10, 2004) (3-way lid organizer).

Cookware Rack—Lids, [http://www.stacksandstacks.com/html/55077\\_cookware-rack-lids.htm](http://www.stacksandstacks.com/html/55077_cookware-rack-lids.htm), pp. 1–2, (last date visited on Jun. 10, 2004) (cookware rack—lids).

Pan Lid Organiser, [http://www.seemans.com/kitchen/pan\\_13\\_pan\\_lid\\_organiser.htm](http://www.seemans.com/kitchen/pan_13_pan_lid_organiser.htm), pp. 1–2, (last date visited on Jun. 10, 2004) (pan lid organiser).

Undersink Organizer—Lid Tray, [http://www.stacksandstacks.com/html/10171\\_undersink-organizer-lid-tray.htm](http://www.stacksandstacks.com/html/10171_undersink-organizer-lid-tray.htm), (last date visited on Jun. 10, 2004) (undersink organizer—lid tray).

Cookware Rack—Storage Stand, [http://www.stacksandstacks.com/html/10615\\_cookware-rack-storage-stand.htm](http://www.stacksandstacks.com/html/10615_cookware-rack-storage-stand.htm), pp. 1–2, (last date visited on Jun. 10, 2004) (cookware rack—storage stand).

Platter and Tray Rack—Expandable—Storage and Organizing Catalog, <http://www.kitchen-storage.net/buy-2421720.aspx>, pp. 1–2, (last date visited on Jun. 10, 2004) (platter and tray rack expandable).

Bakeware Rack—Lid Rack Cabinet Organizer, <http://store.yahoo.com/organizeeverything1/bakewarack.html>, pp. 1, (last date visited on Jun. 10, 2004) (bakeware rack—lid rack cabinet organizer).

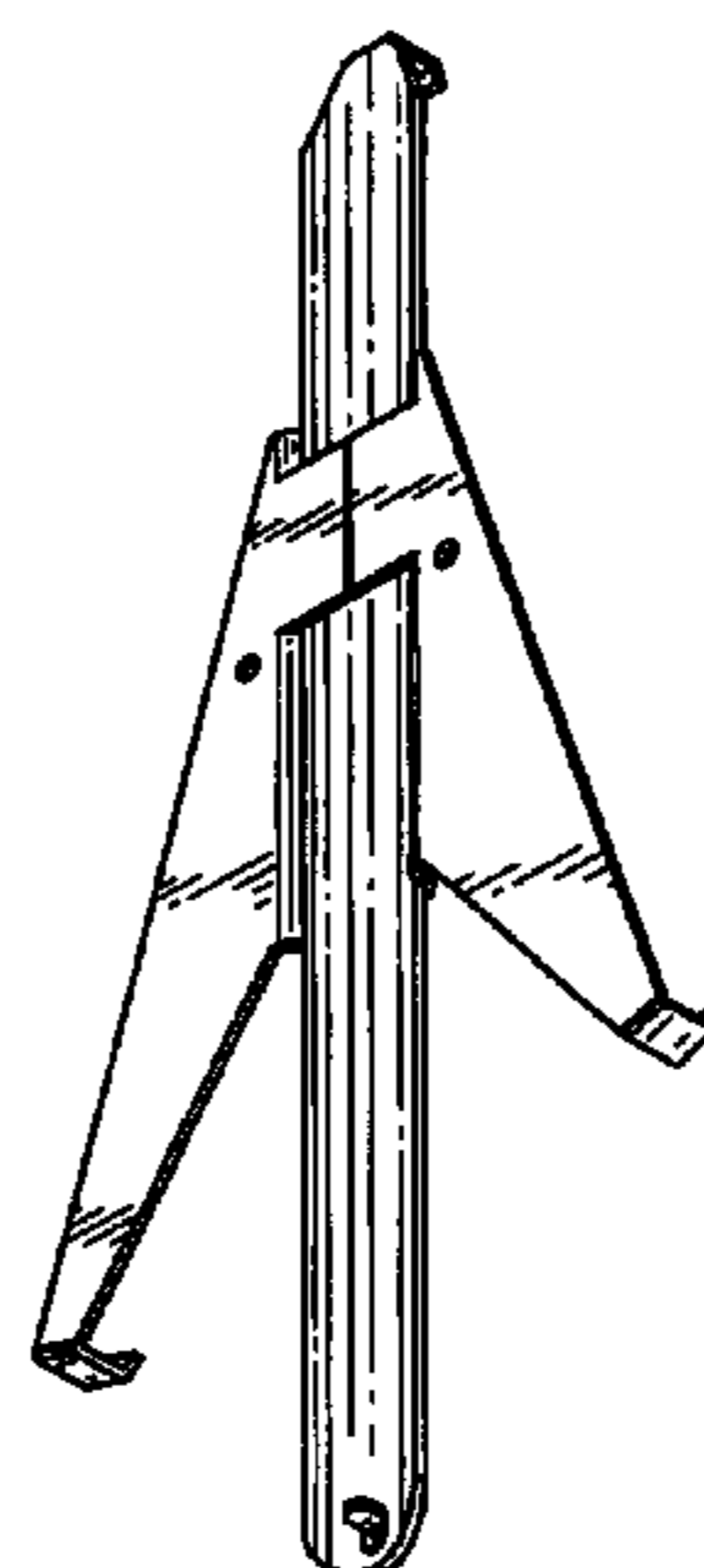
Kitchen Etc. → Lee Rowan—Deluxe Lid Rack—, <http://www.kitchenetc.com/Propducts.cfm?sku=000543521>, pp. 1–2, (last date visited on Jun. 10, 2004) (deluxe lid rack).

Kitchen Etc. → Lee Rowan—Pot Lid Storage Rack—, <http://www.kitchenetc.com/products.cfm?sku=000894006>, pp. 1–2, (last date visited on Jun. 10, 2004) (pot lid storage rack).

The Lid Locker Organizer, <http://store.yahoo.com/organizeeverything1/lidstorandor.html>, p. 1, (last date visited on Jun. 10, 2004) (the lid locker organizer).

Lid Organizer, <http://www.containerstore.com/browse/Product.jhtml?PRODID=60279&CATID=185>, p. 1, (last date visited on Jun. 10, 2004) (lid organizer).

Shelf—Placemat Holder, [http://www.stacksandstacks.com/html/10535\\_shelf-placemat-holder.htm](http://www.stacksandstacks.com/html/10535_shelf-placemat-holder.htm), pp. 1–2 (last date visited on Jun. 10, 2004) (shelf—placemat holder).



JK Adams Wall Mount Pot Rack—JK-PRW-01—Kitchen-shop.com, <http://www.kitchenshop.com/catalog/JK-PRW-01.shtml>, pp. 1–2, (last date visited on Jun. 10, 2004) (JK Adams wall mount pot rack).

Cookware Lid Rack—Cooking.com, <http://www.cooking.com/products/shprodde.asp?SKU=198099>, pp. 1–2, (last date visited on Jun. 10, 2004) (cookware lid rack).

Lid Holder—Storage and Organizing Catalog, <http://www.kitchen-storage.net/buy-1421903.aspx>, pp. 1–2, (last date visited on Jun. 10, 2004) (lid holder).

Cookware Rack—Bakeware—Storage and Organizing Catalog, <http://www.kitchen-storage.net/buy-1409556.aspx>, pp. 1–2, (last date visited on Jun. 10, 2004) (cookware rack—bakeware).

Wall & Door Lid Rack, <http://www.containstore.com/browse/Product.jhtml?PRODID=60278&CATID=185>, p. 1, (last date visited on Jun. 10, 2004) (wall & door lid rack).

Pull-Out Lid Organizer, <http://www.containerstore.com/browse/Product.jhtml?PRODID=60323&CATID=186>, p. 1, (last date visited on Jun. 10, 2004) (pull-out lid organizer).

Kitchen Etc. → Lee Rowan—Plastic Lid Organizer—, <http://www.kitchenetc.com/Product.cfm?sku=000543576>, pp. 1–2, (last date visited on Jun. 10, 2004) (plastid lid organizer).

JK Adams Overhead Pot Rack—JK-PRC-02—Kitchen-shop.com, <http://www.kitchenshop.com/catalog/JK-PRC-02.shtml>, pp. 1–2, (last date visited on Jun. 10, 2004) (JK Adams overhead pot rack).

Wall Mounted Pot Rack Dual Bar 36" Chrome—CH-PR-40229—Kitchen-shop.com, <http://www.kitchen-shop.com/catalog/ch-pr-40229.shtml>, pp. 1–2, (last date visited on Jun. 10, 2004) (wall mounted pot rack dual bar 36" chrome).

*Primary Examiner*—Terry A. Wallace  
(74) *Attorney, Agent, or Firm*—Heimbecher & Assoc., LLC

(57) **CLAIM**

I claim the ornamental design for a holding device for a cooking container lid as shown and described.

**DESCRIPTION**

FIG. 1 is a front isometric view of a first embodiment of a holding device for a cooking container lid holding a cooking container lid shown in phantom.

FIG. 2 is a rear isometric view of the holding device of FIG. 1.

FIG. 3 is a front elevation view of the holding device of FIG. 1.

FIG. 4 is a rear elevation view of the holding device of FIG. 1.

FIG. 5 is a right elevation view of the holding device of FIG. 1.

FIG. 6 is a left elevation view of the holding device of FIG. 1.

FIG. 7 is a top plan view of the lid holding device of FIG. 1.

FIG. 8 is a bottom plan view of the holding device of FIG. 1.

FIG. 9 is a front isometric view of a second embodiment of a holding device for a cooking container lid.

FIG. 10 is a rear isometric view of the holding device of FIG. 9.

FIG. 11 is a front elevation view of the holding device of FIG. 9.

FIG. 12 is a rear elevation view of the holding device of FIG. 9.

FIG. 13 is a right elevation view of the holding device of FIG. 9.

FIG. 14 is a left elevation view of the lid holder of FIG. 9.

FIG. 15 is a top plan view of the lid holder of FIG. 9.

FIG. 16 is a bottom plan view of the lid holder of FIG. 9.

FIG. 17 is a front isometric view of a third embodiment of a holding device for a cooking container lid.

FIG. 18 is a rear isometric view of the holding device of FIG. 17.

FIG. 19 is a front elevation view of the holding device of FIG. 17.

FIG. 20 is a rear elevation view of the holding device of FIG. 17.

FIG. 21 is a right elevation view of the holding device of FIG. 17.

FIG. 22 is a left elevation view of the holding device of FIG. 17.

FIG. 23 is a top plan view of the holding device of FIG. 17.

FIG. 24 is a bottom plan view of the holding device of FIG. 17.

FIG. 25 is a front isometric view of a fourth embodiment of a holding device for a cooking container lid.

FIG. 26 is a rear isometric view of the holding device of FIG. 25.

FIG. 27 is a front elevation view of the holding device of FIG. 25.

FIG. 28 is a rear elevation view of the holding device of FIG. 25.

FIG. 29 is a right elevation view of the holding device of FIG. 25.

FIG. 30 is a left elevation view of the holding device of FIG. 25.

FIG. 31 is a top plan view of the holding device of FIG. 25; and,

FIG. 32 is a bottom plan view of the holding device of FIG. 25.

The broken lines shown in FIG. 1 are for illustrative purposes only and are not part of the claimed design.

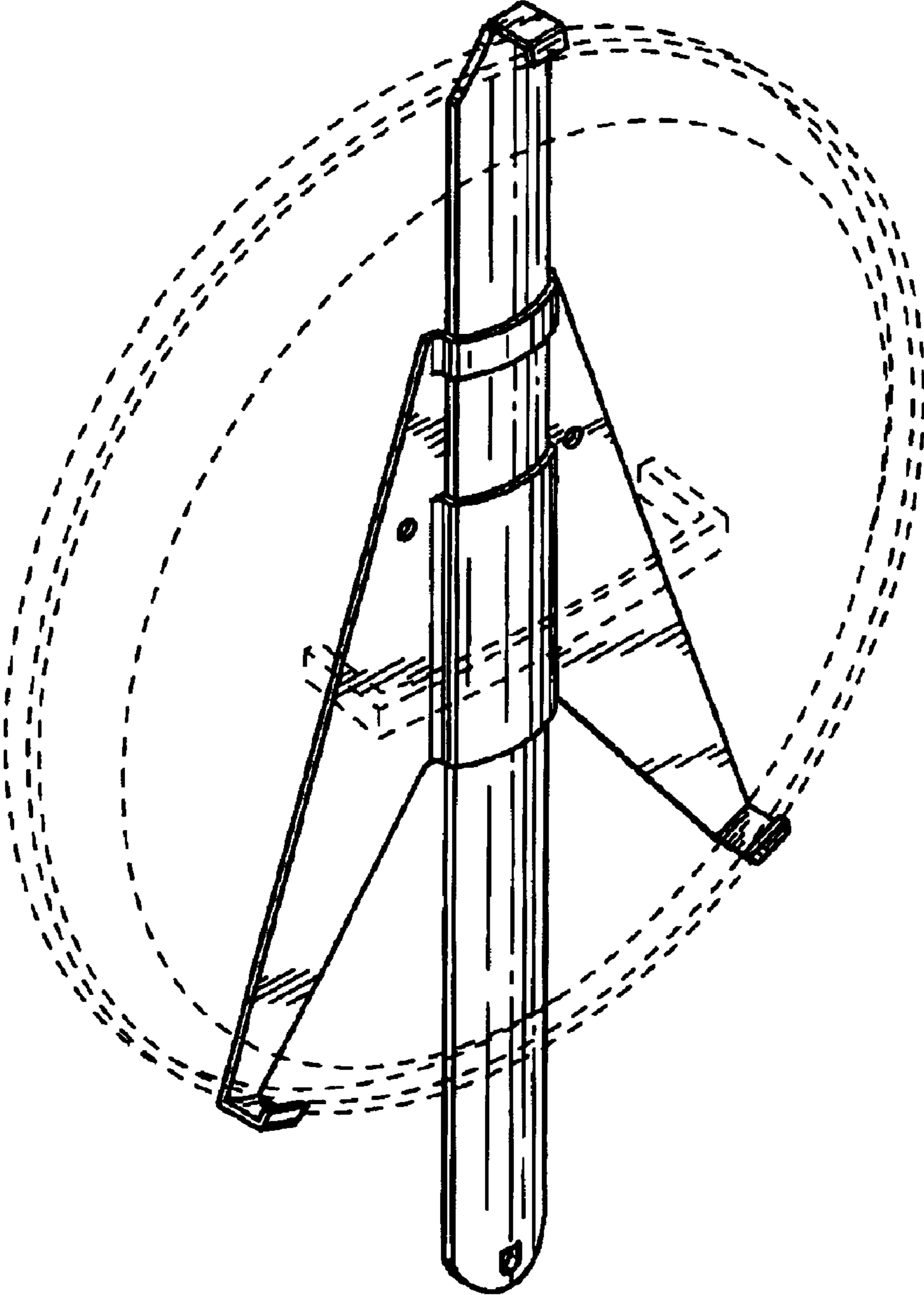


FIG.1

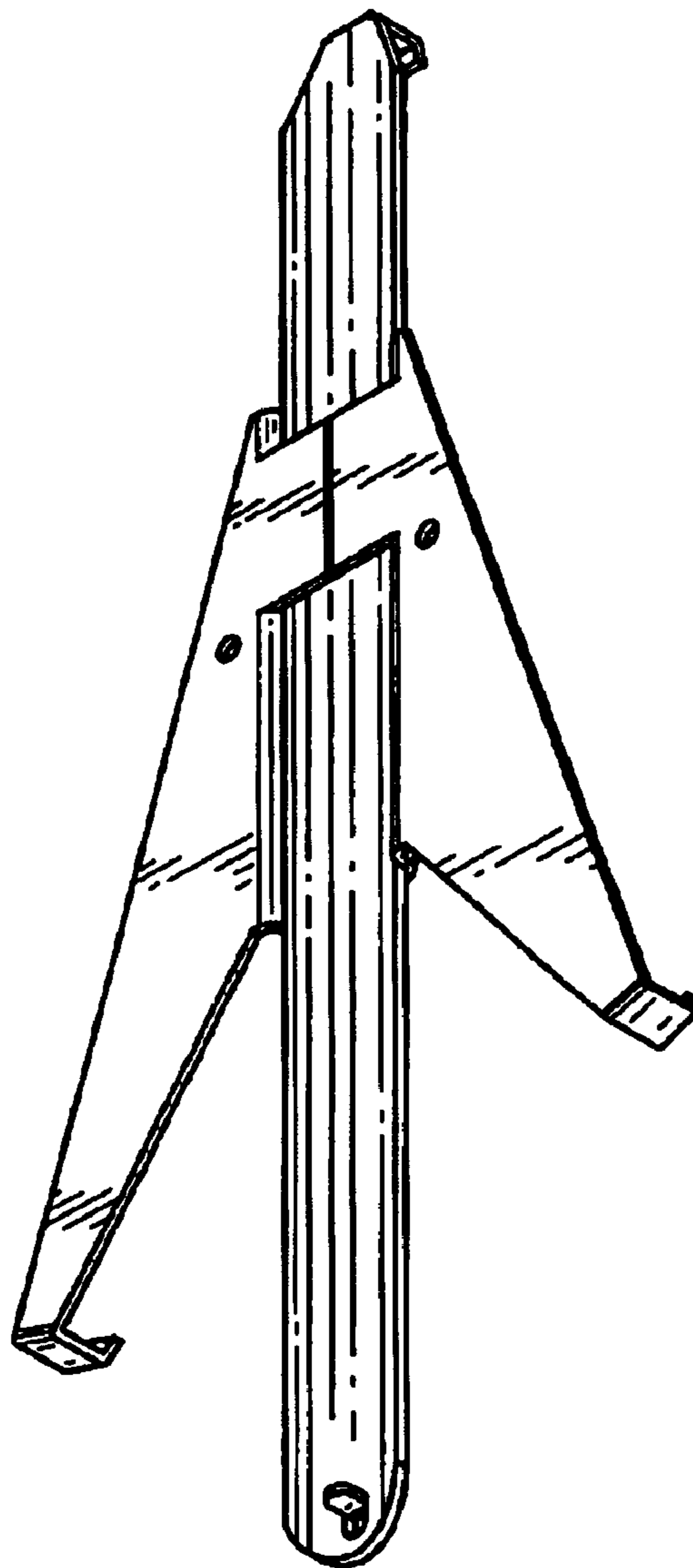


FIG.2

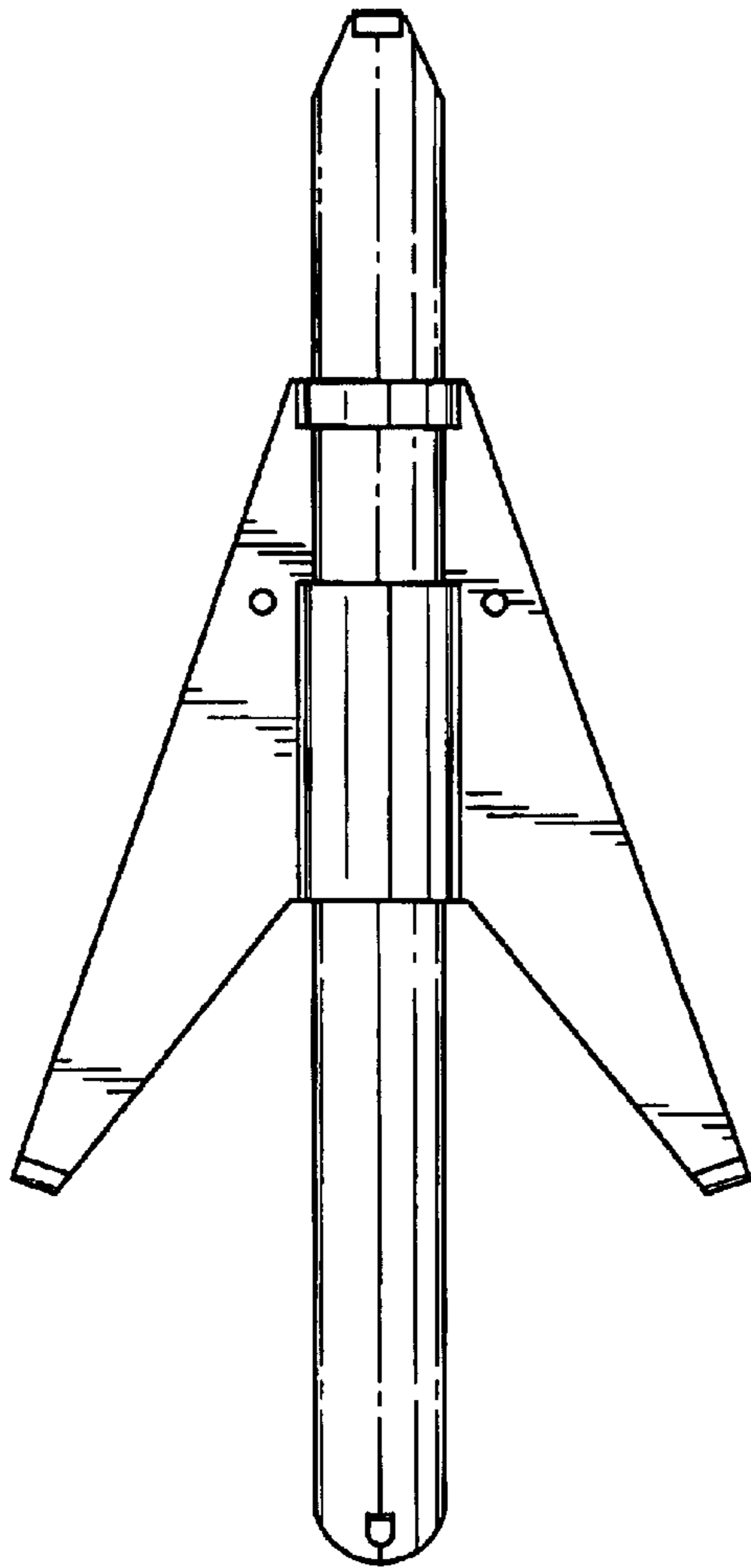


FIG.3

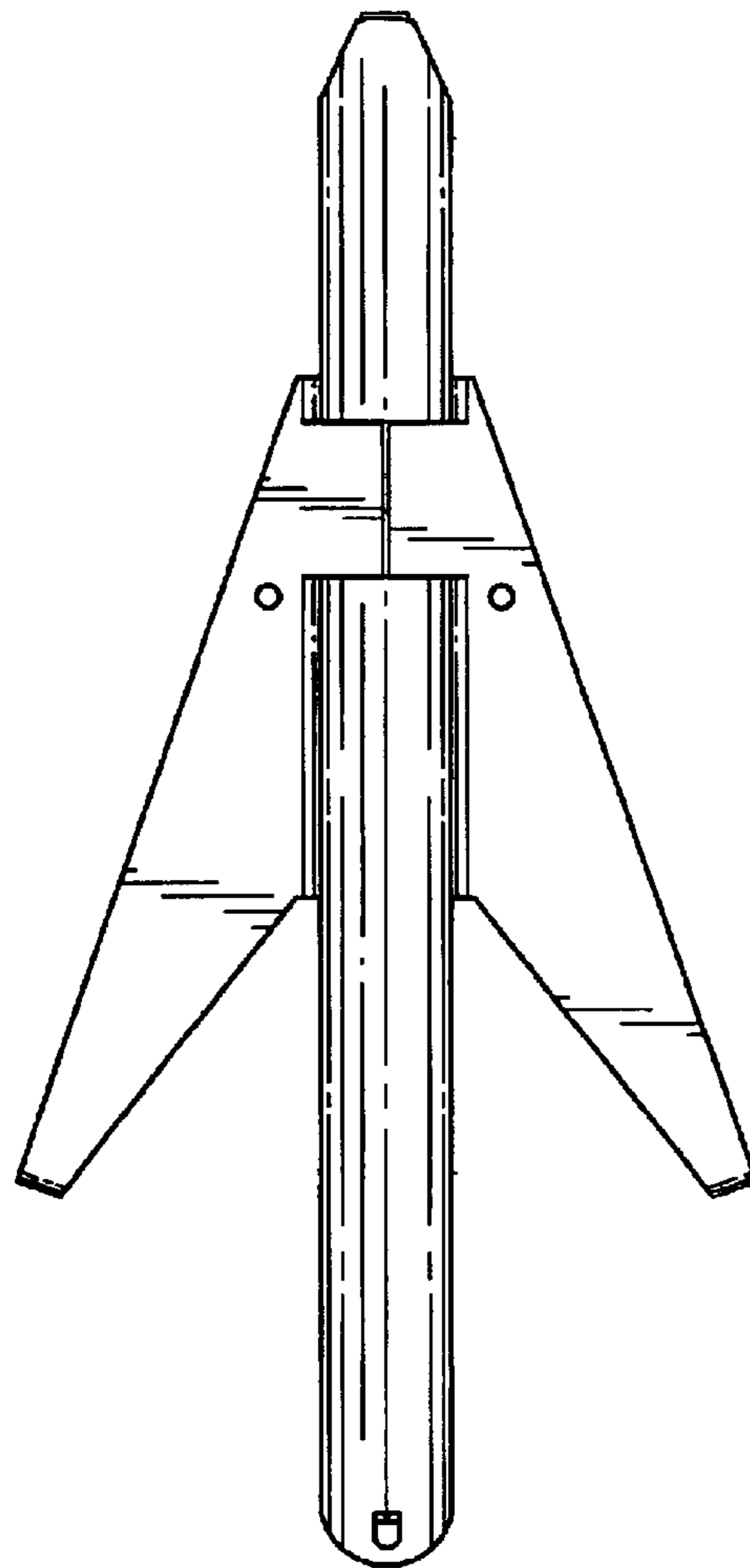


FIG.4



FIG. 5



FIG. 6



FIG. 7



FIG. 8

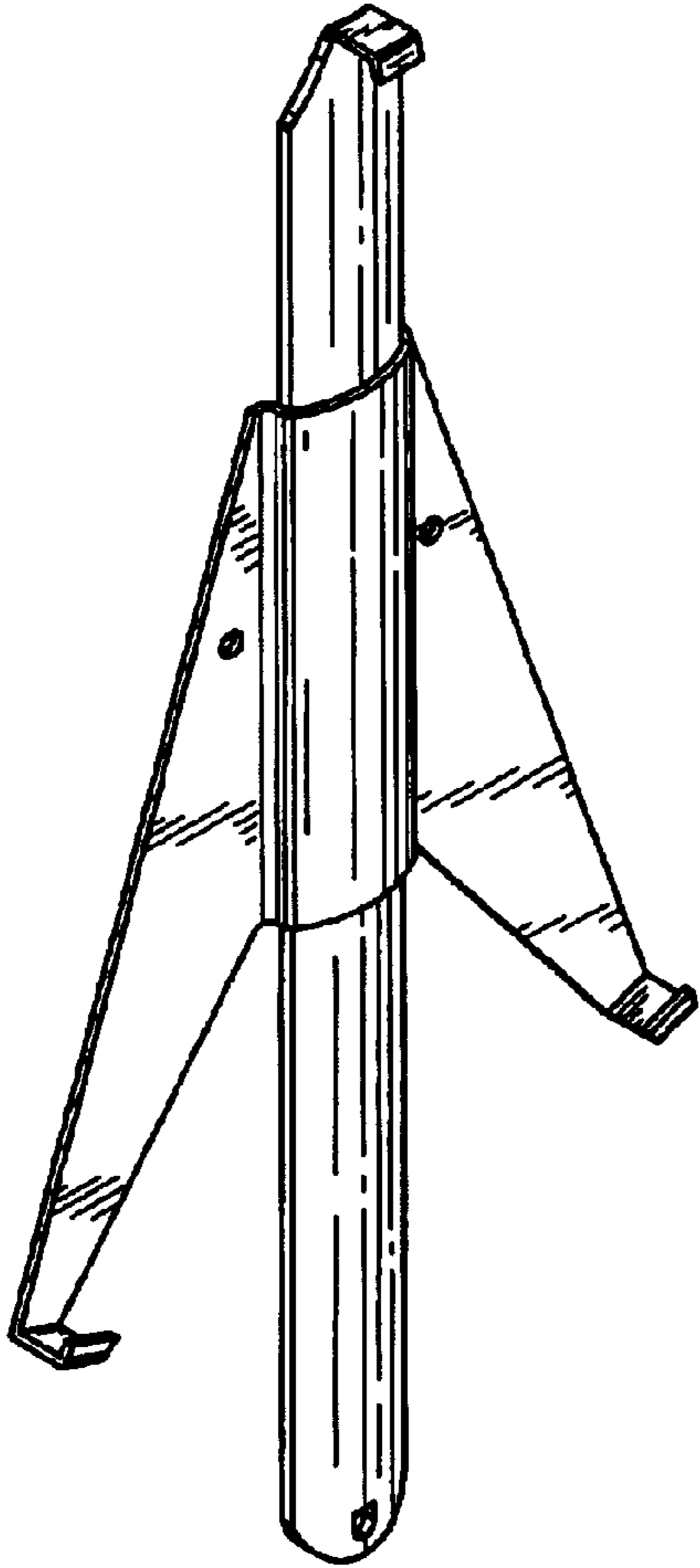


FIG. 9

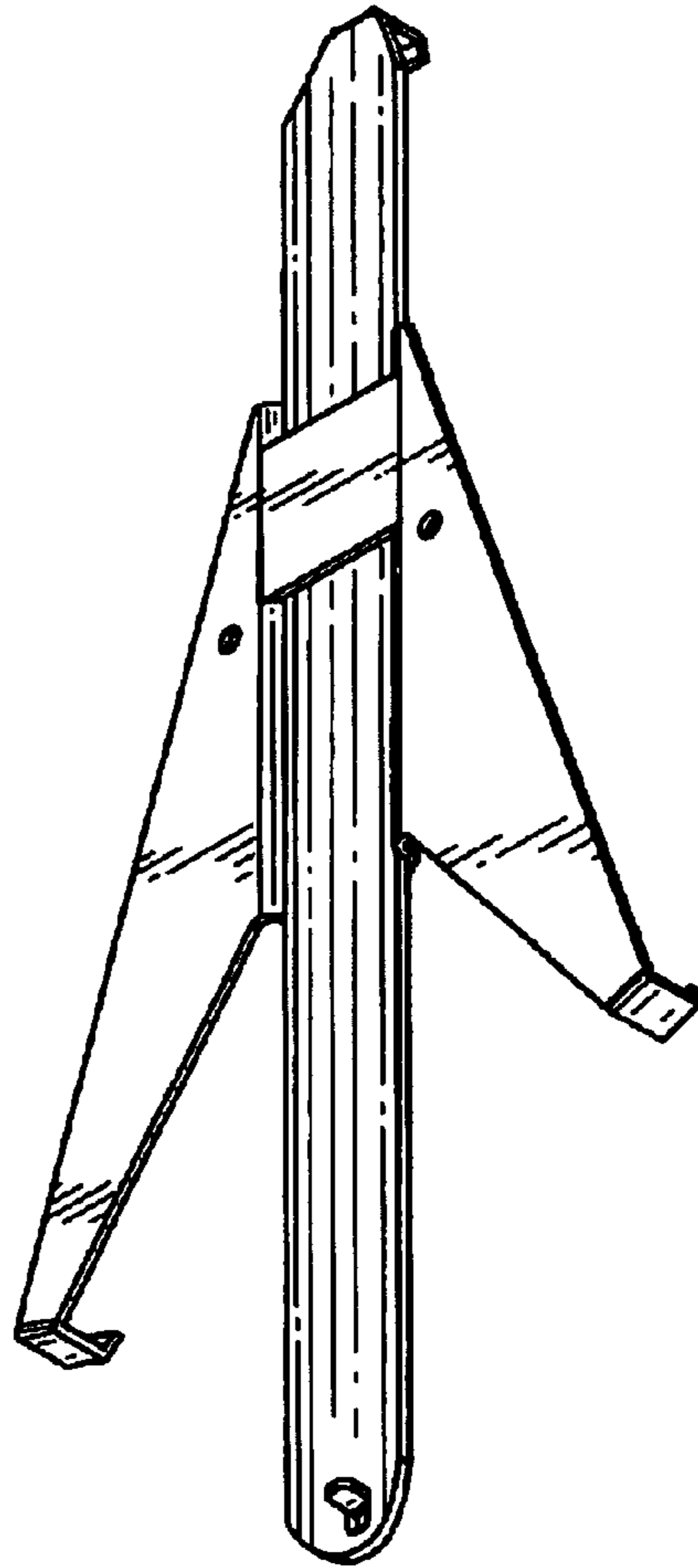


FIG. 10



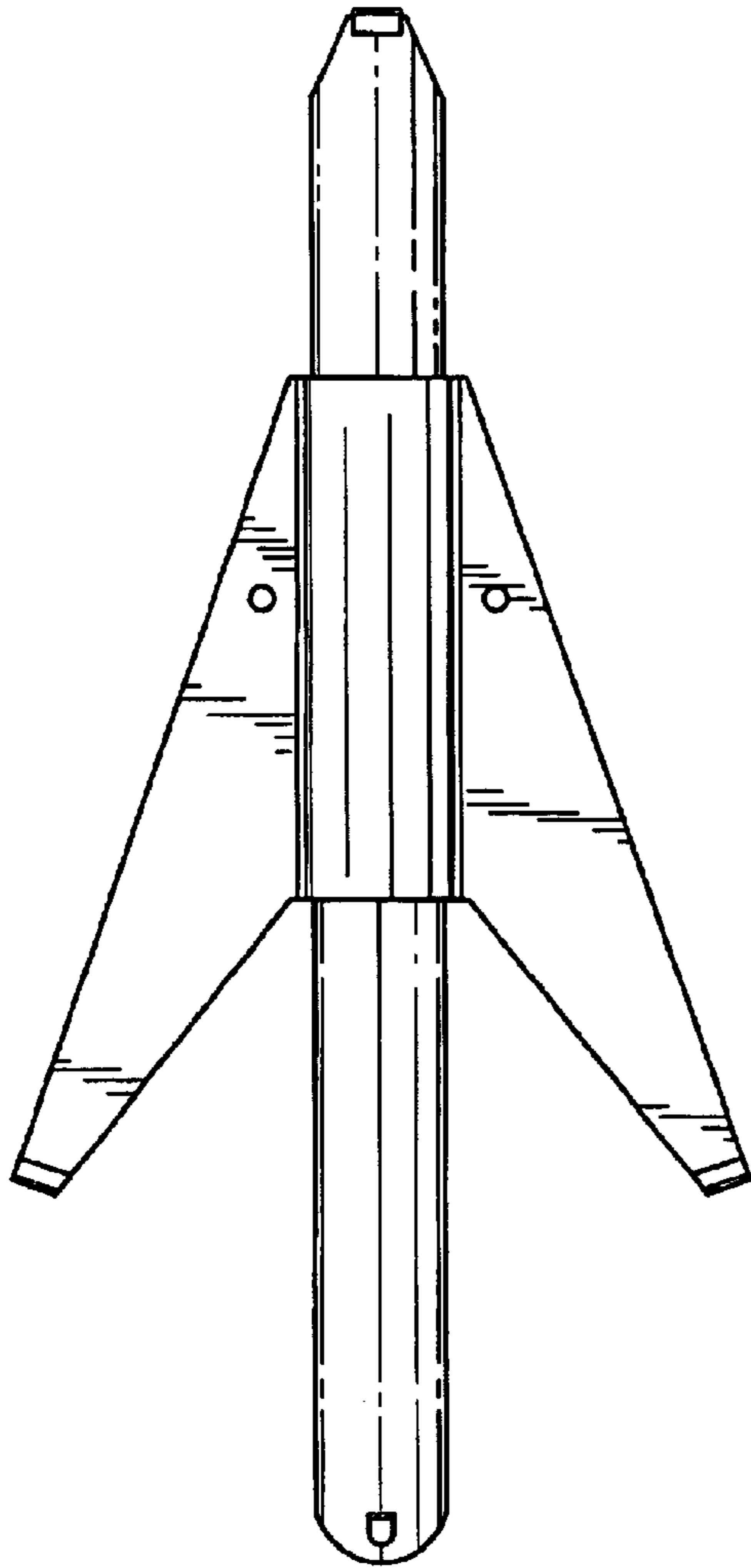


FIG. 11

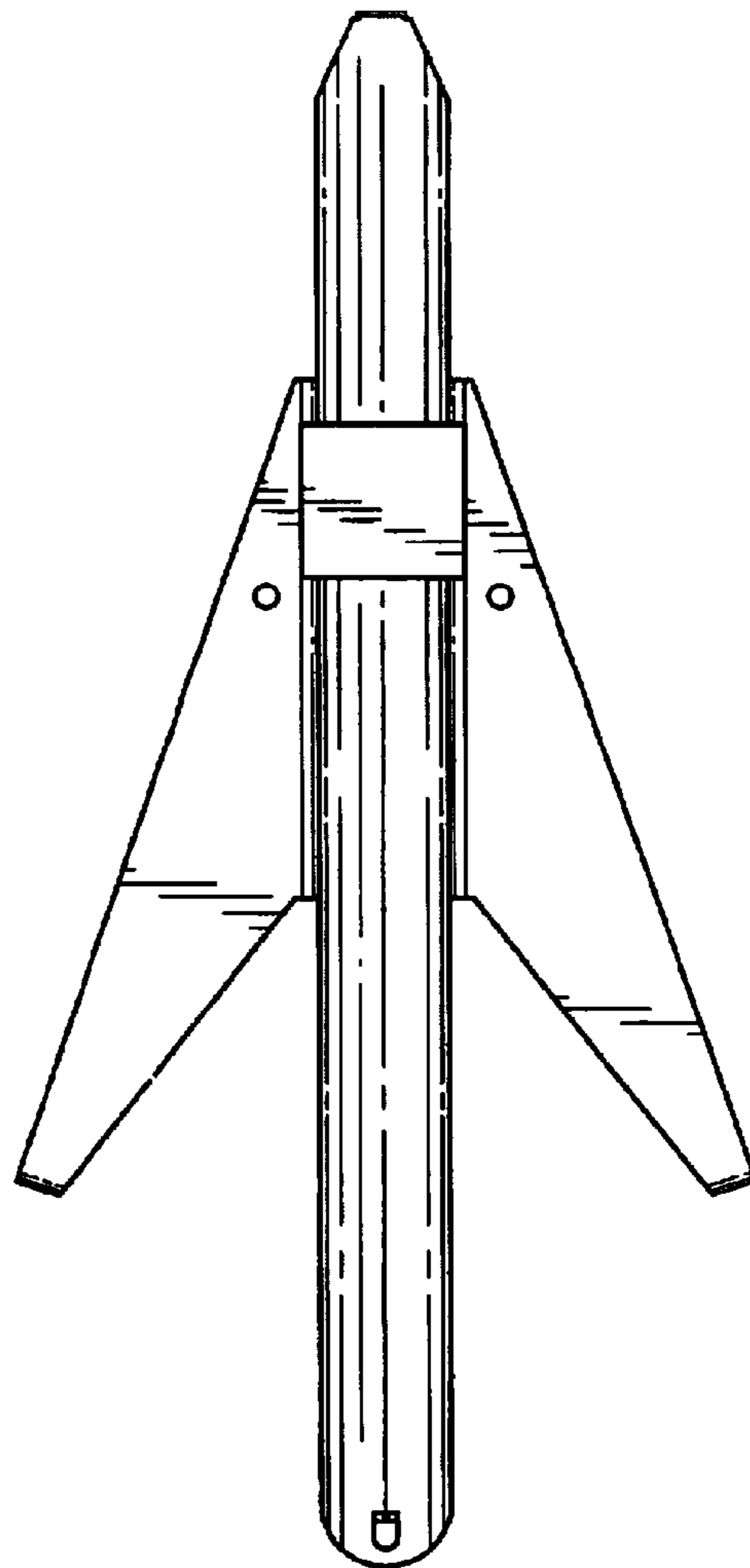


FIG. 12



FIG. 13



FIG. 14



FIG.15



FIG.16

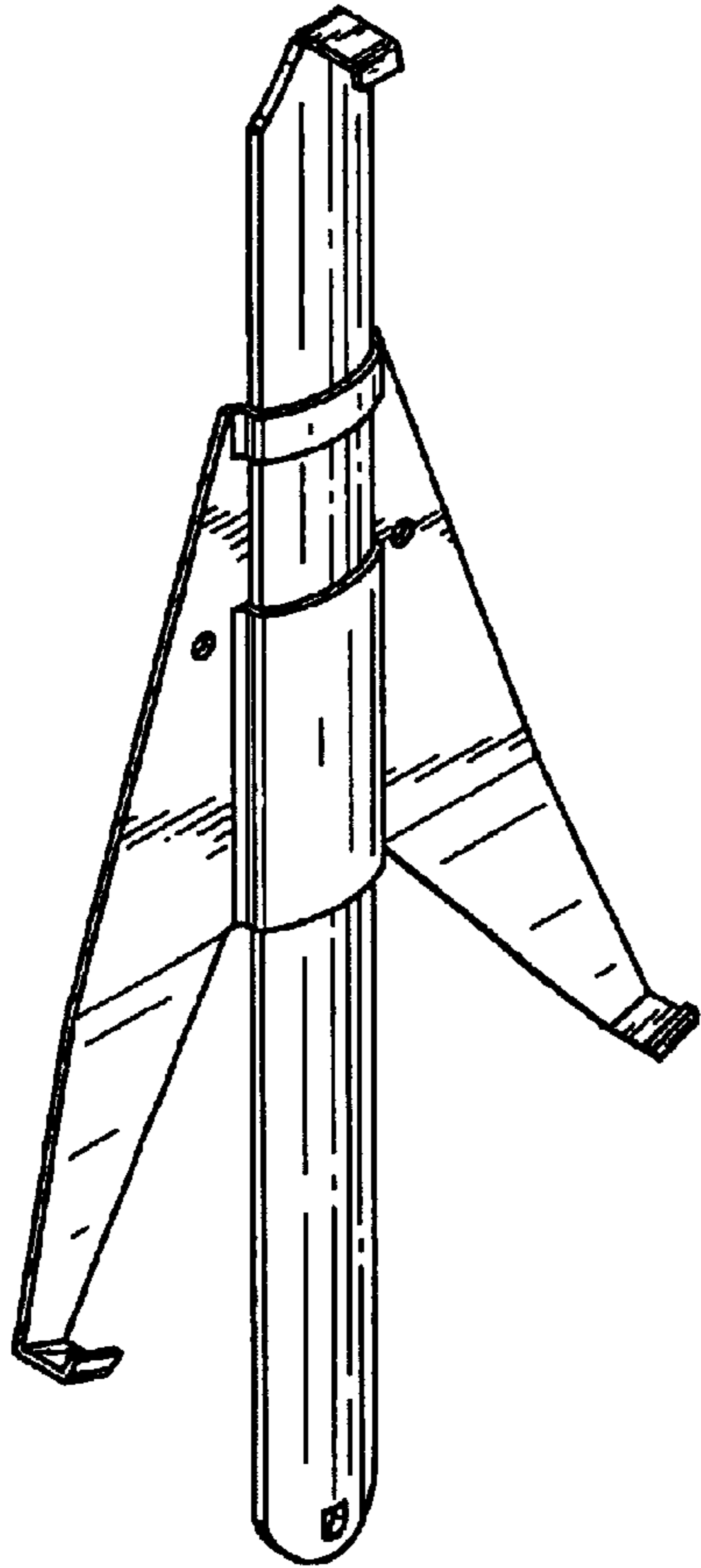


FIG.17

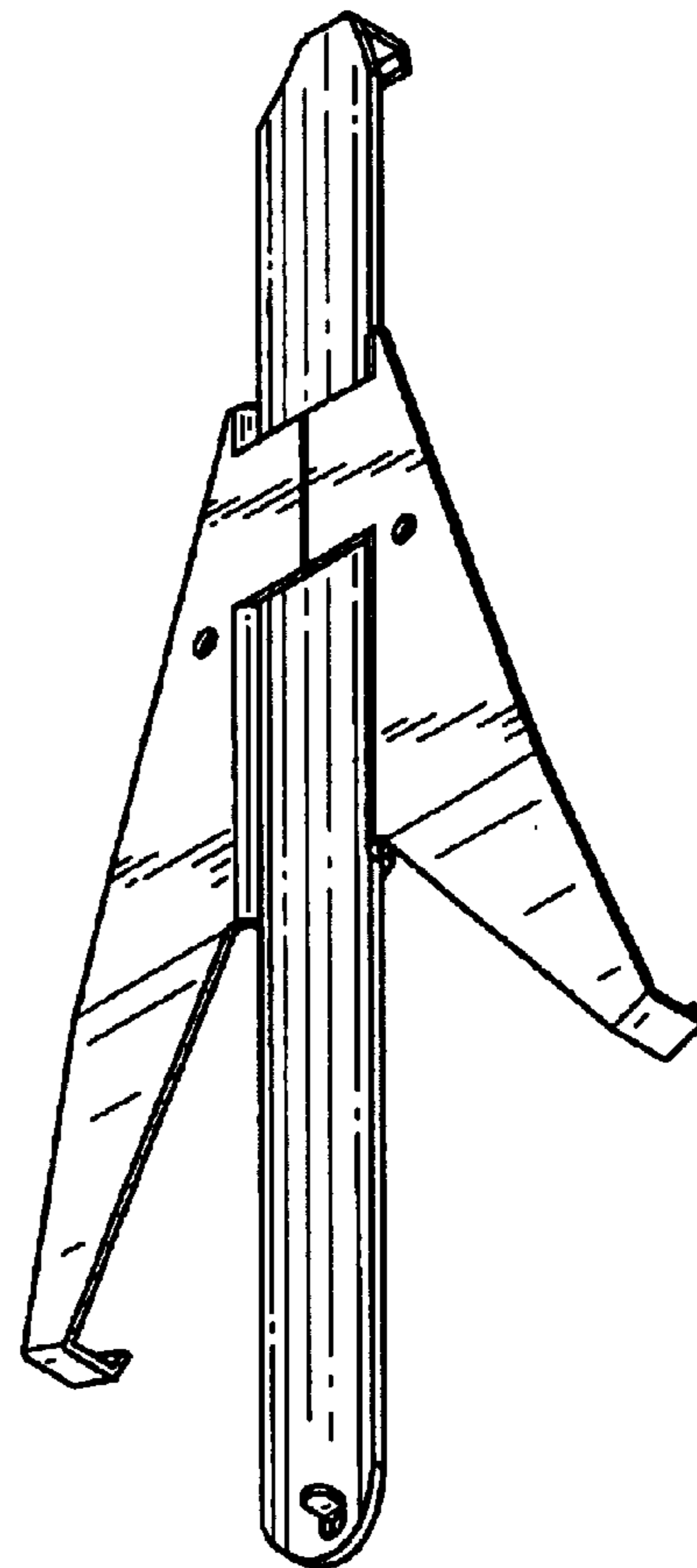


FIG.18

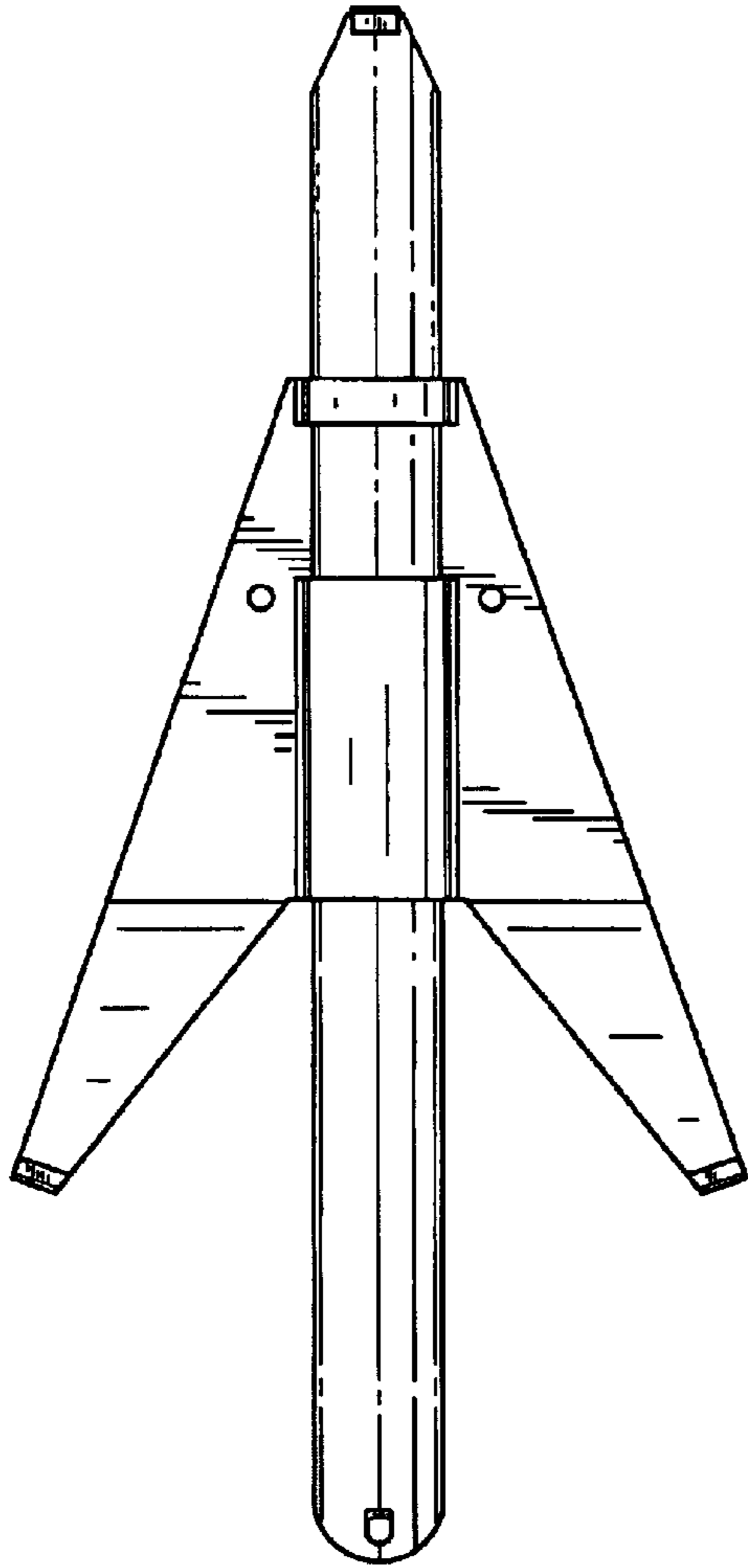


FIG. 19

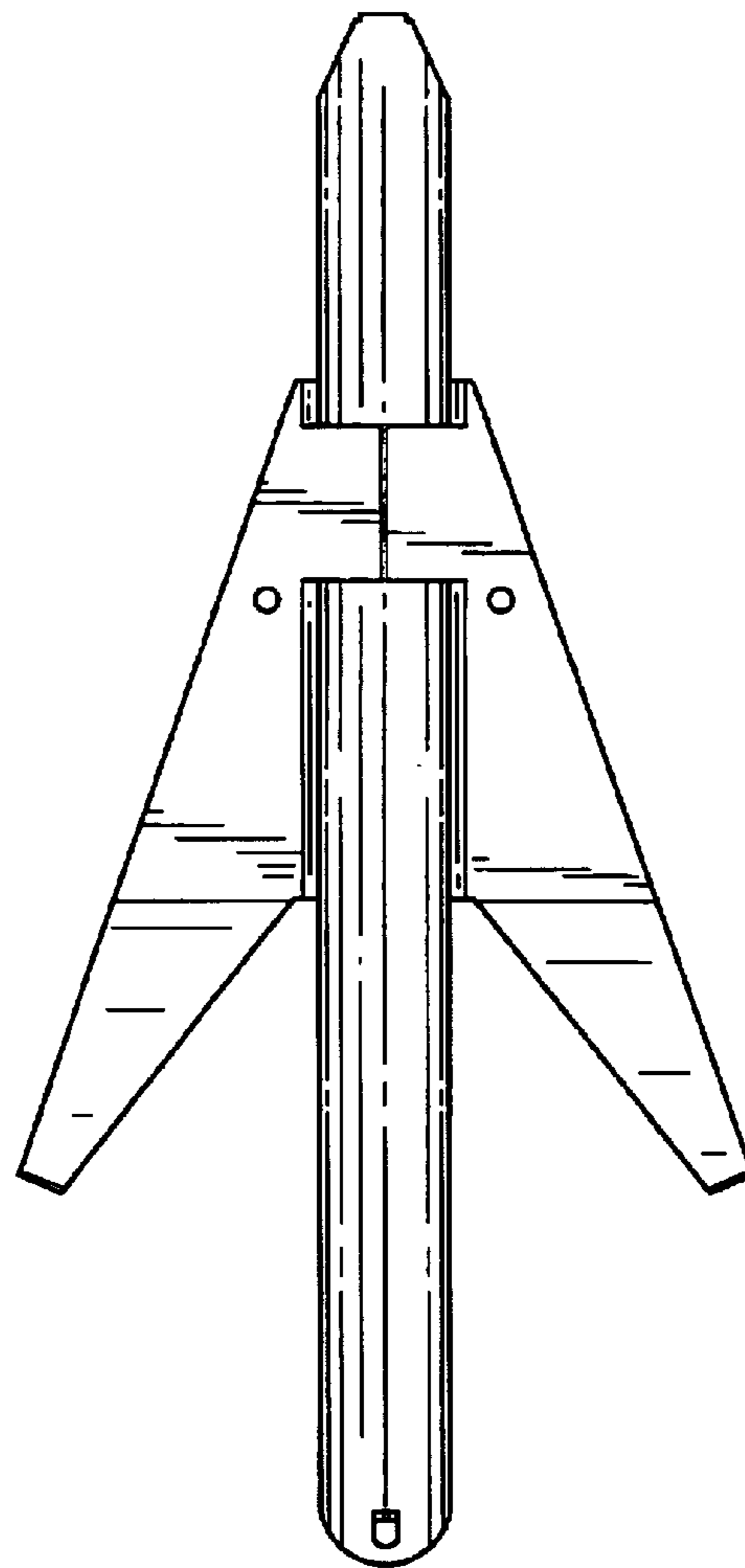


FIG. 20



FIG. 21



FIG. 22

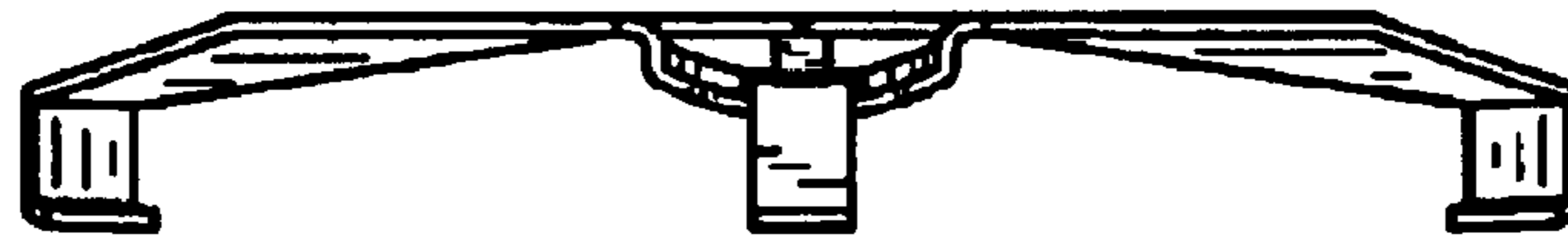


FIG.23

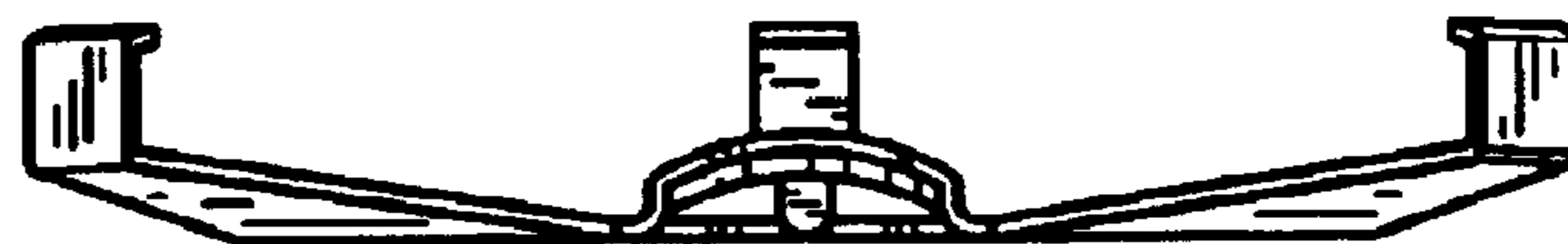


FIG.24

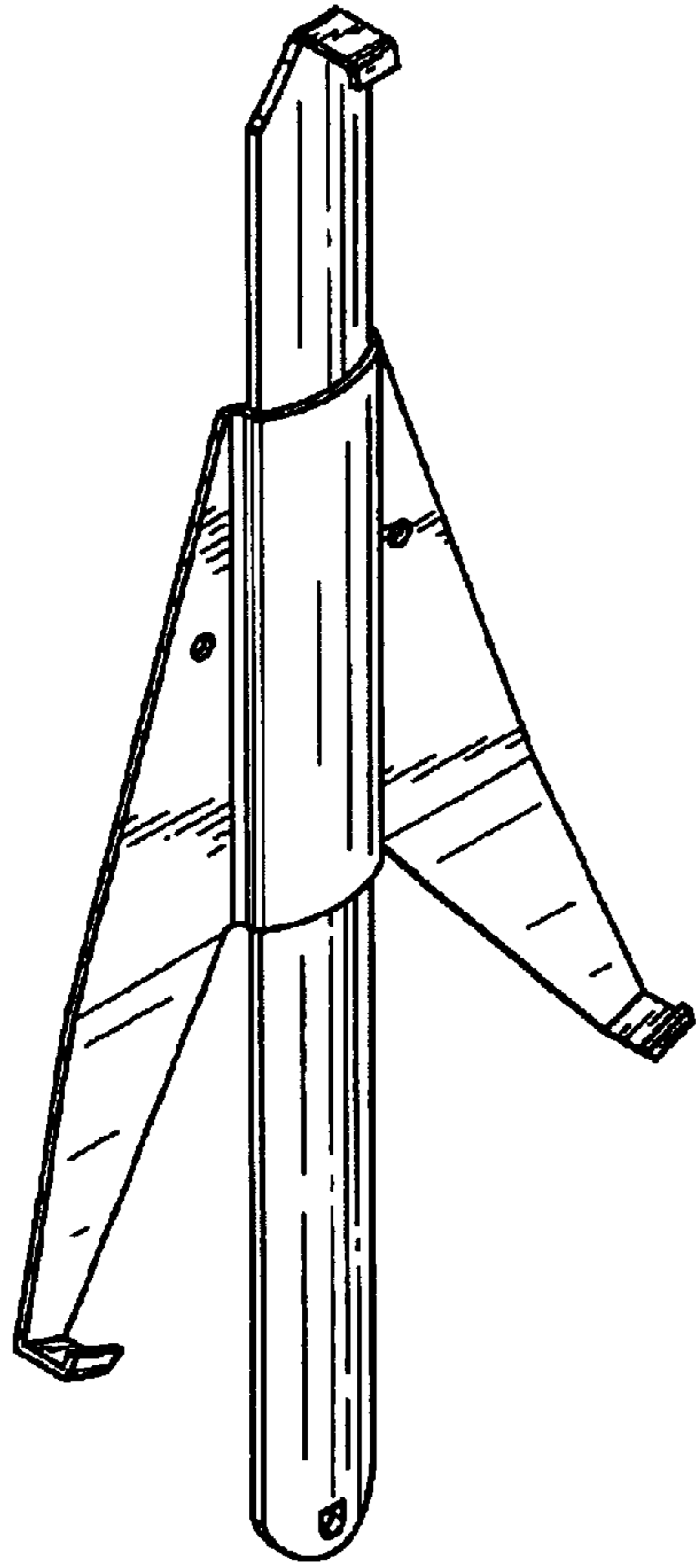


FIG.25

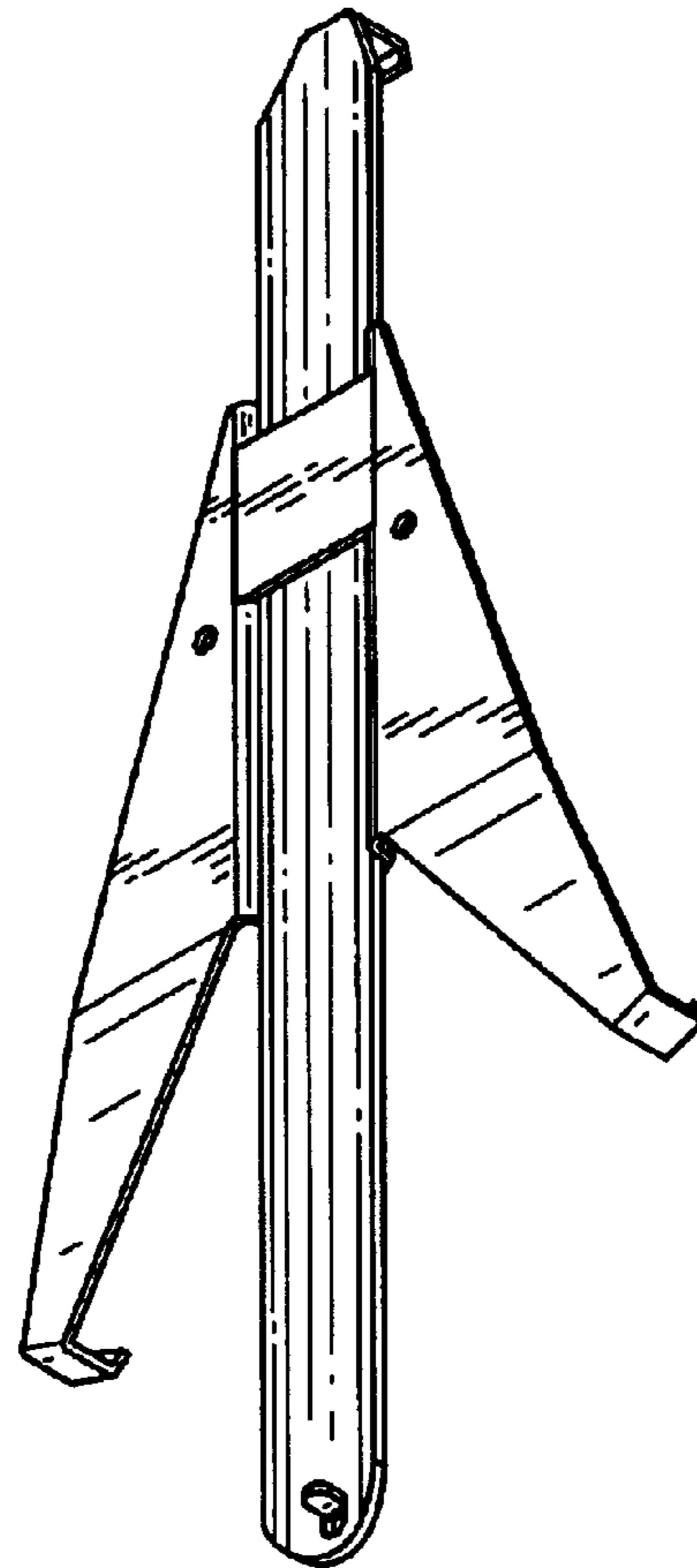


FIG.26



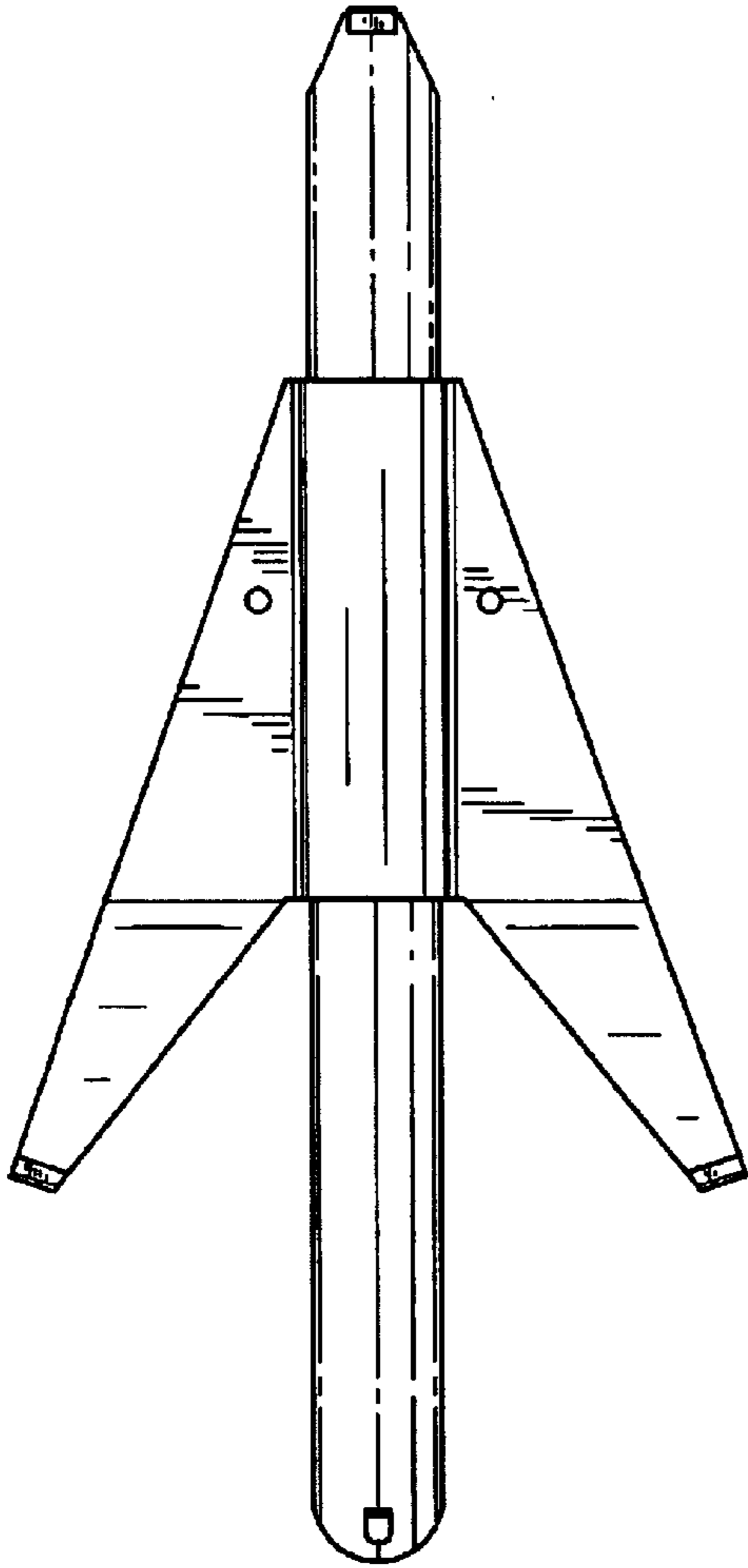


FIG. 27

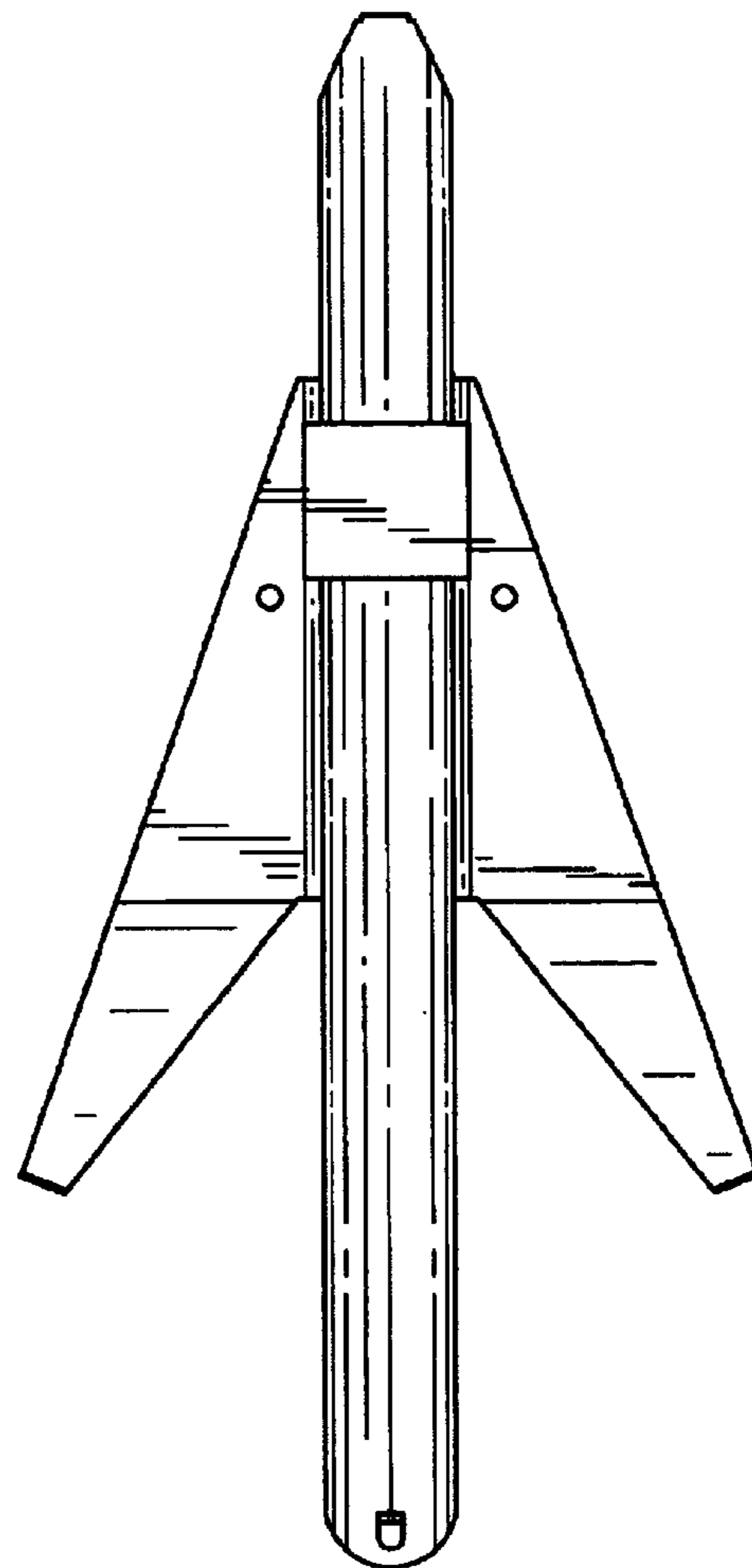


FIG. 28



FIG.29



FIG.30

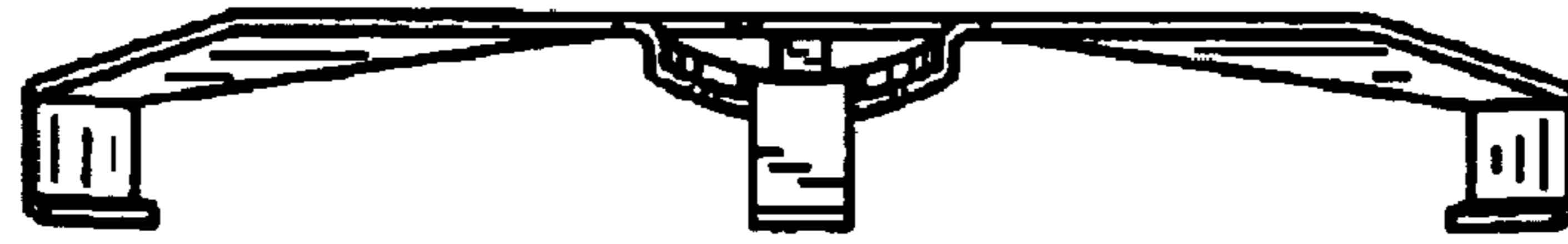


FIG.31

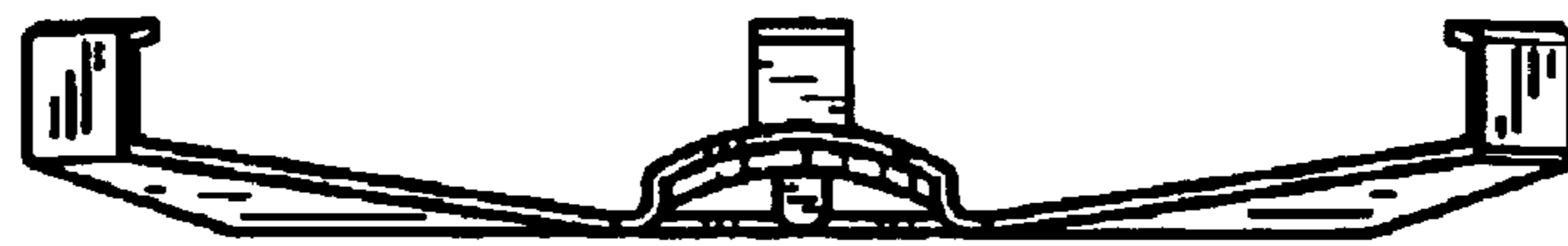


FIG.32