



US00D513932S

(12) **United States Design Patent**
De Oliveira

(10) **Patent No.: US D513,932 S**
(45) **Date of Patent: ** Jan. 31, 2006**

(54) **CHILD'S CUP**

(75) **Inventor: Manuel Vieira De Oliveira, Fallbrook, CA (US)**

(73) **Assignee: X-Stream Concepts, Inc., Fontana, CA (US)**

(**) **Term: 14 Years**

(21) **Appl. No.: 29/220,190**

(22) **Filed: Dec. 28, 2004**

(51) **LOC (8) Cl. 07-01**

(52) **U.S. Cl. D7/534; D7/510**

(58) **Field of Classification Search D7/509, D7/507, 511, 510, 534, 535, 536, 533, 600, D7/622; 220/603, 719, 713, 710.5, 373, 375, 220/703, 711, 715; 206/217; 132/289; 215/396, 215/398, 376, 393, 378, 388, 11.1-11.6; D24/197, D24/199**

See application file for complete search history.

(56) **References Cited**

U.S. PATENT DOCUMENTS

- 2,792,696 A * 5/1957 Stayart 215/11.1
- D192,174 S * 2/1962 Trombley D7/536
- D216,730 S * 3/1970 Carslaw D7/510
- 4,096,966 A * 6/1978 Korshak 220/603
- D315,212 S * 3/1991 Oknuki D24/197
- D315,213 S * 3/1991 Ohnuki D24/197
- D322,196 S * 12/1991 Ohnuki D7/510
- D326,796 S * 6/1992 Kawano D7/510
- D341,892 S * 11/1993 Yagi D24/197
- 5,294,018 A * 3/1994 Boucher 220/603
- D366,987 S * 2/1996 Allegre D7/510
- D368,529 S * 4/1996 Allegre D24/197
- D370,262 S * 5/1996 Allegre D24/197

- D421,878 S * 3/2000 Roehrig D7/510
- D425,994 S * 5/2000 Hakim D24/197
- 6,073,788 A * 6/2000 Stroud 215/11.1
- 6,092,680 A * 7/2000 Pillado 215/11.1
- D440,317 S * 4/2001 Tollman D24/197
- D442,435 S * 5/2001 Takagi D7/510
- D454,642 S * 3/2002 Hakim D24/197
- D455,609 S * 4/2002 Mandel et al. D7/510
- D456,212 S * 4/2002 Bridges D7/510
- D460,322 S * 7/2002 Orr et al. D7/510
- D462,449 S * 9/2002 Morano D24/197
- D474,647 S * 5/2003 Reinius et al. D7/510
- D476,849 S * 7/2003 Randolph D7/510
- D495,558 S * 9/2004 Tollman D7/510
- D504,049 S * 4/2005 Morano et al. D7/534

* cited by examiner

Primary Examiner—M. N. Pandozzi

(74) *Attorney, Agent, or Firm*—Eric Karich

(57) **CLAIM**

The ornamental design for a “child’s cup,” as shown and described.

DESCRIPTION

FIG. 1 is a perspective view of a child’s cup, showing my new design;

FIG. 2 is a front elevational view thereof;

FIG. 3 is a rear elevational view thereof;

FIG. 4 is a top plan view thereof;

FIG. 5 is a bottom plan view thereof;

FIG. 6 is a right side elevational view thereof, the left side elevational view being a mirror image thereof; and,

FIG. 7 is a perspective view of a child’s cap, with a different cap in broken line.

The broken line showing of a cap is for illustrative purposes only and forms no part of the claimed design.

1 Claim, 4 Drawing Sheets

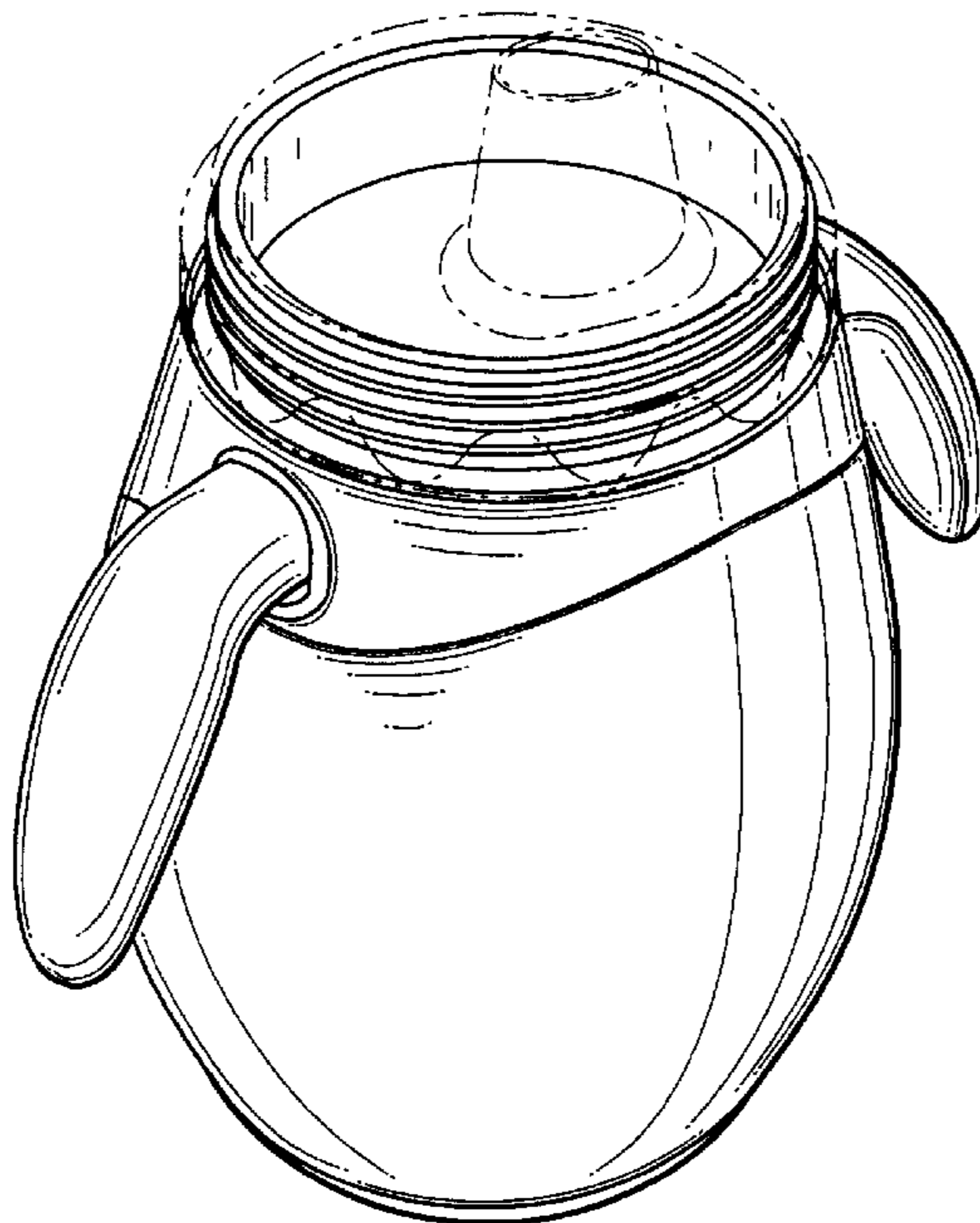




Fig. 1

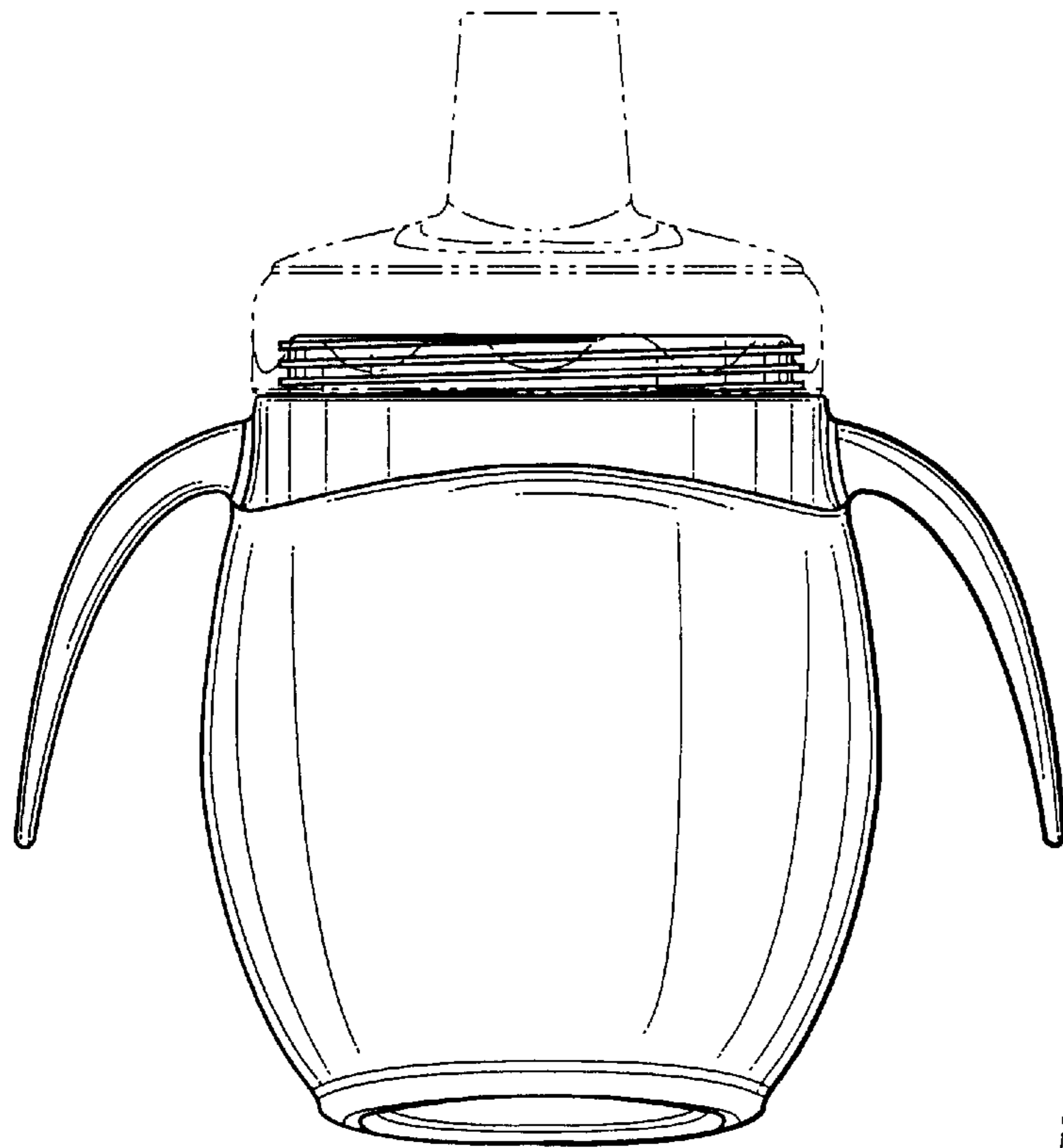


Fig. 2

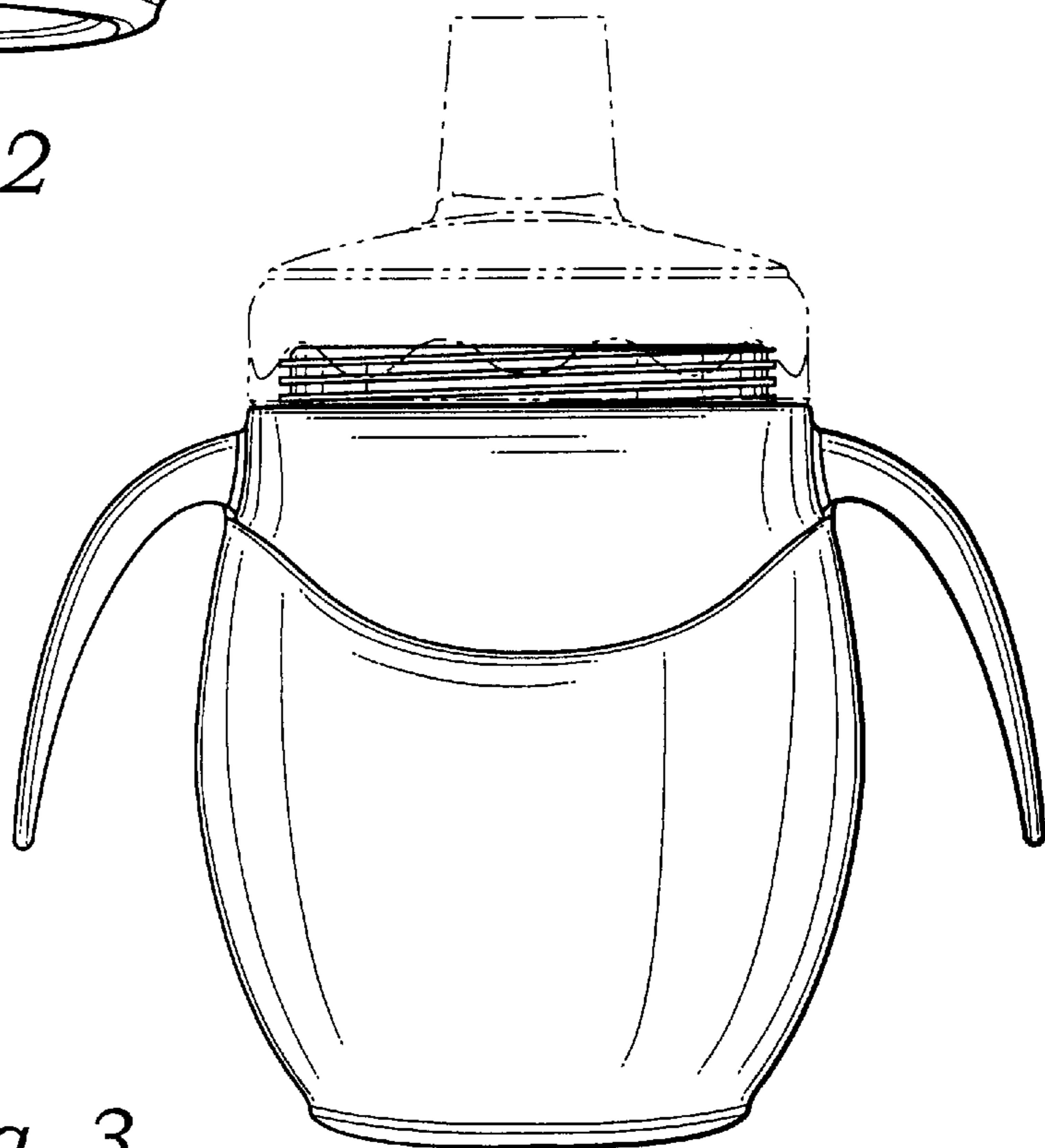


Fig. 3

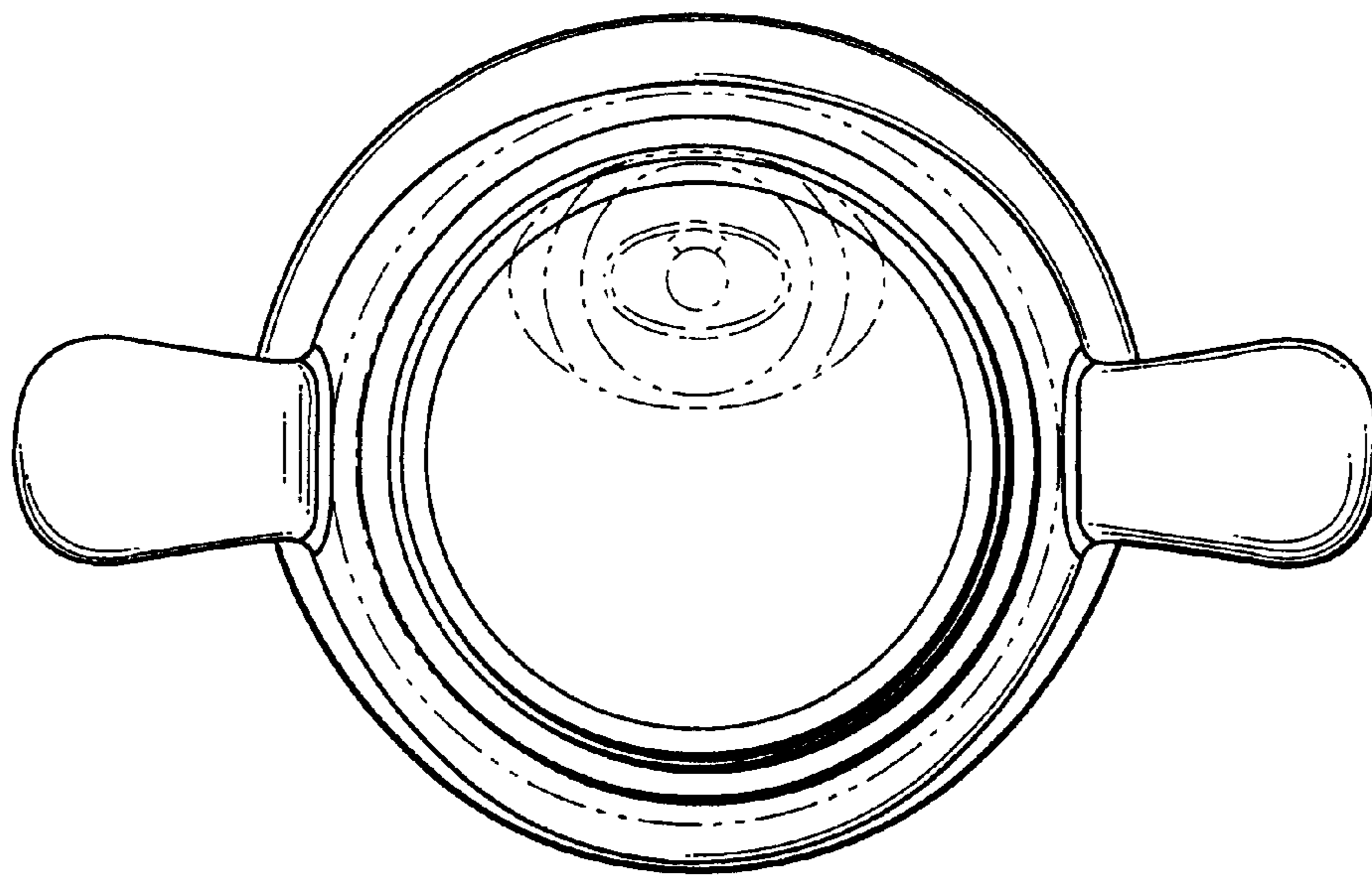


Fig. 4

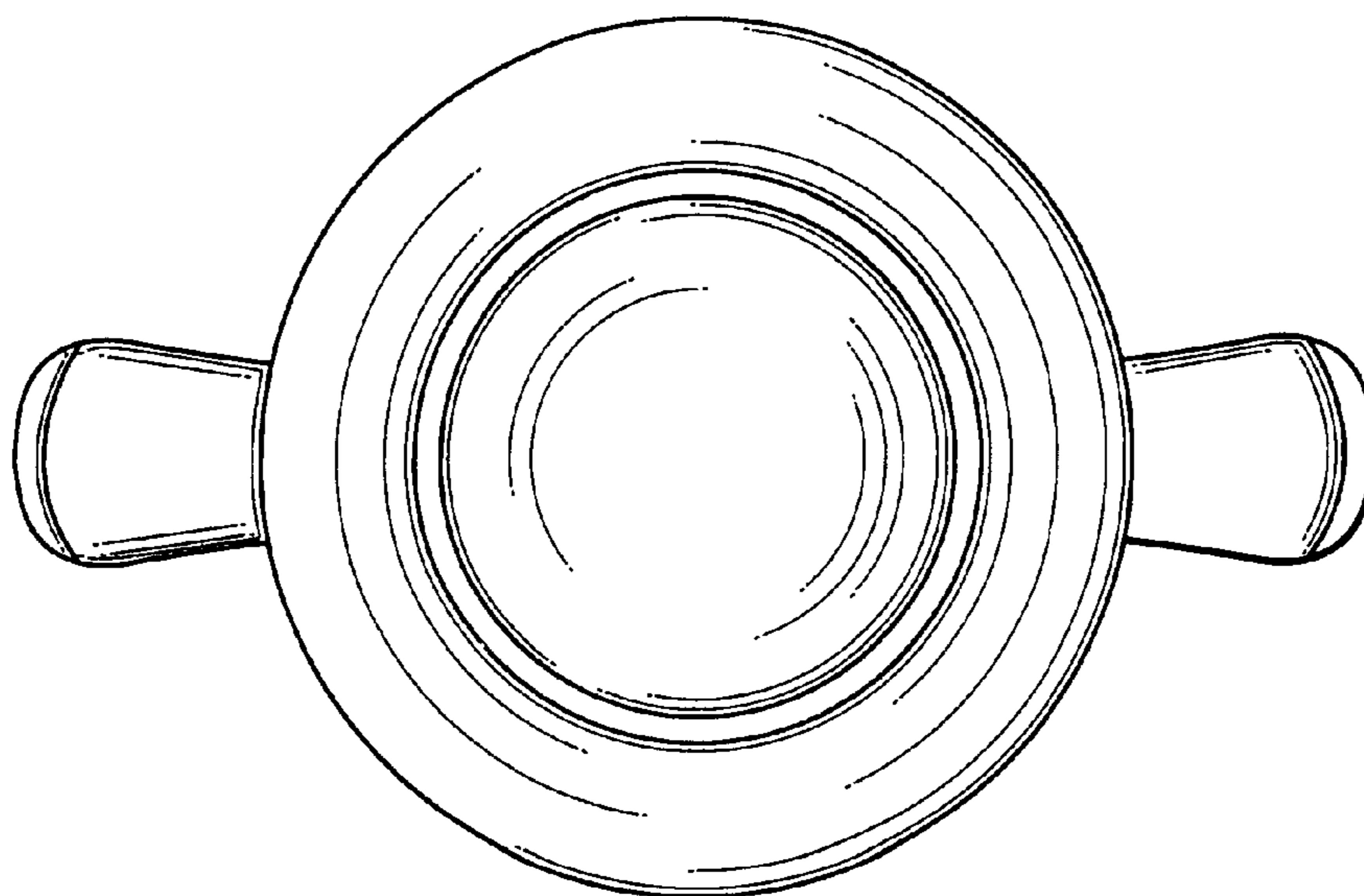


Fig. 5

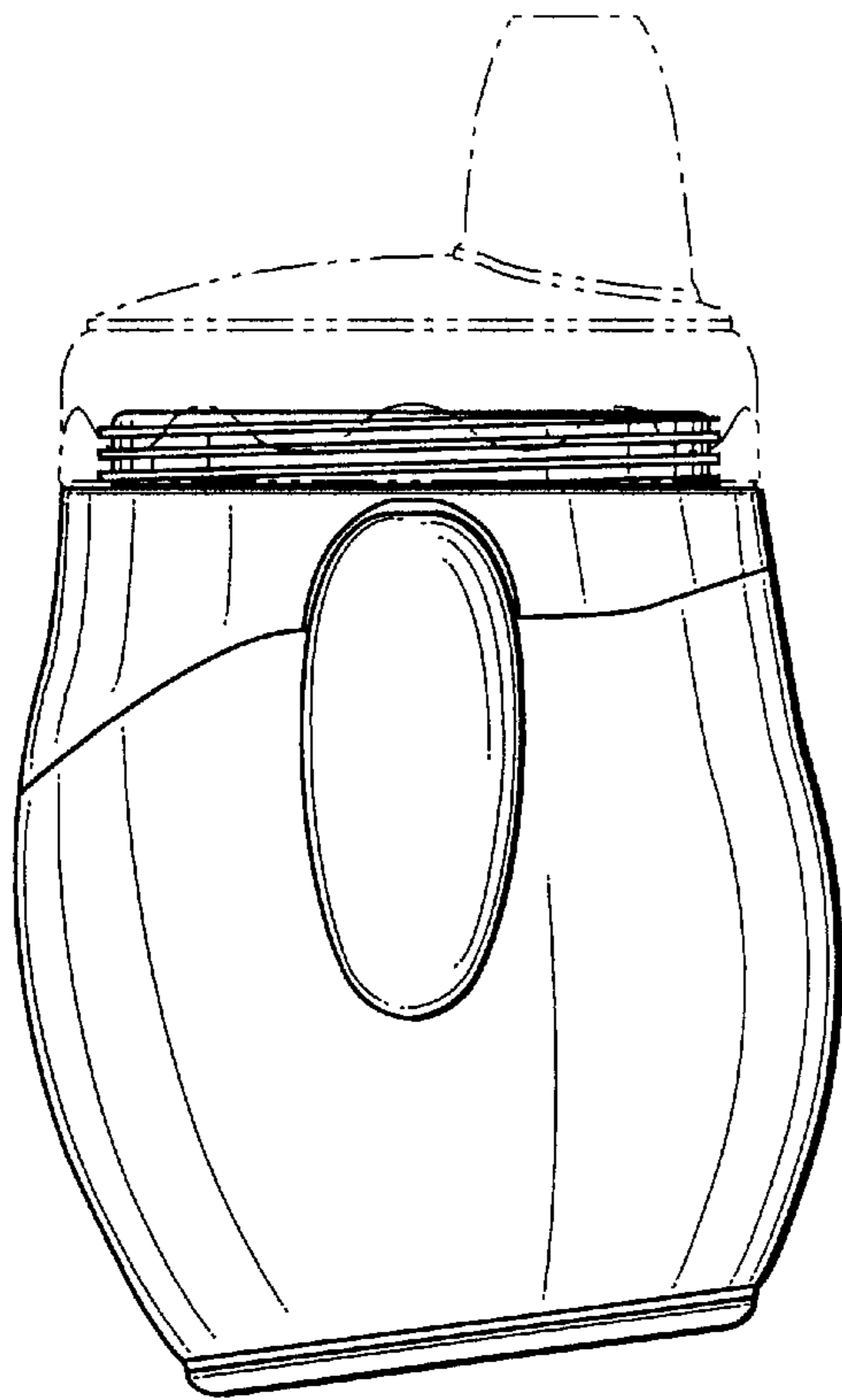


Fig. 6

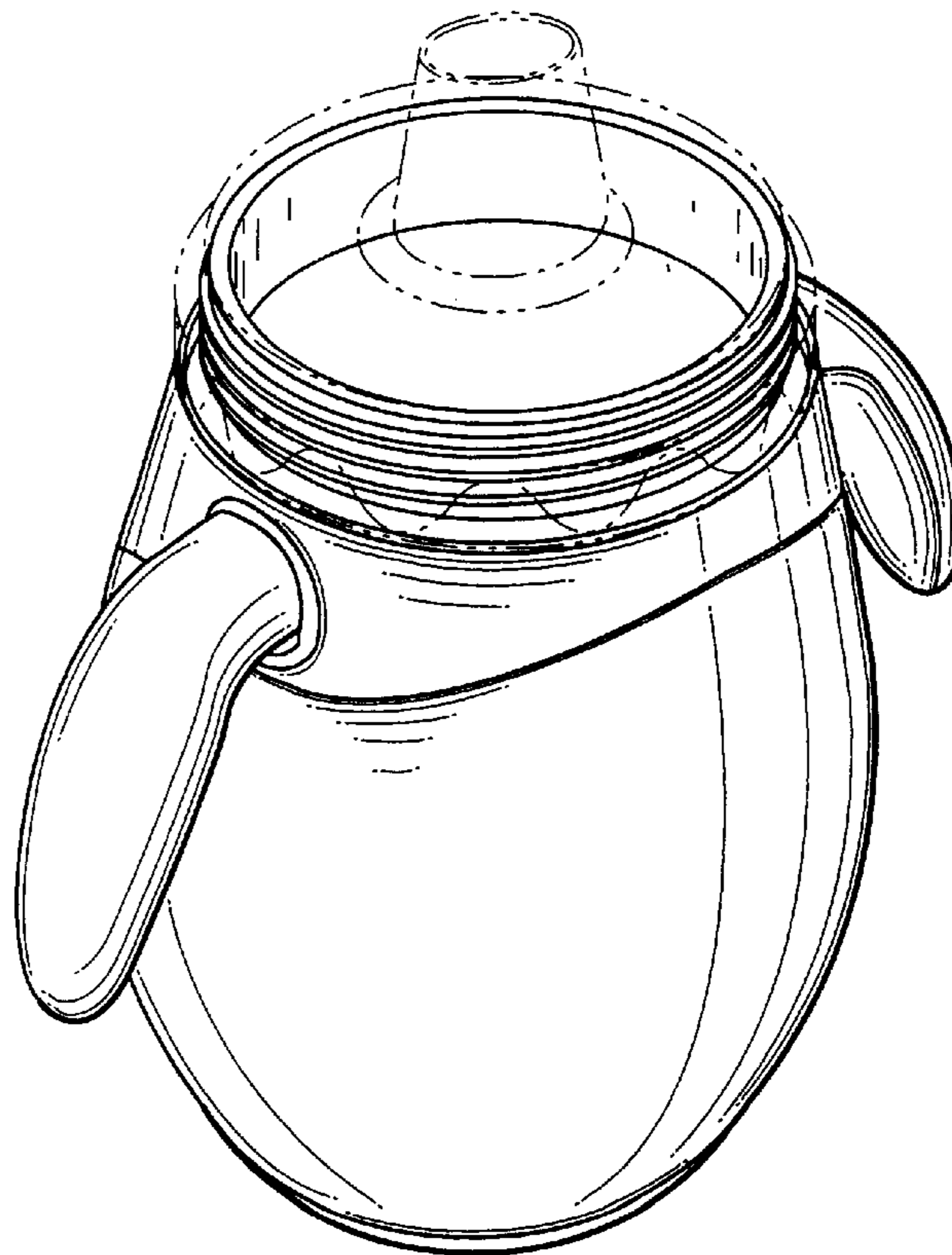


Fig. 7