



US00D513929S

(12) **United States Design Patent** (10) **Patent No.:** **US D513,929 S**
Moseley (45) **Date of Patent:** **** Jan. 31, 2006**

(54) **BABY UTENSIL WITH CHARM**

(75) Inventor: **Debra Lightfoot Moseley**, Houston, TX (US)
(73) Assignee: **Little Jewel**, Houston, TX (US)
(**) Term: **14 Years**

(21) Appl. No.: **29/174,037**
(22) Filed: **Jan. 10, 2003**

(51) **LOC (8) Cl.** **07-03**
(52) **U.S. Cl.** **D7/401.2**
(58) **Field of Classification Search** D7/642-664,
D7/401.2; 30/142, 147-150, 322-328; 16/110.1,
16/430, 431; D10/46.2; 416/70 R; 76/105;
D11/79, 86, 87, 93; D3/207, 208
See application file for complete search history.

(56) **References Cited**

U.S. PATENT DOCUMENTS

303,022	A	*	8/1884	Kilborn	416/70 R
880,166	A	*	2/1908	Ruggles	30/148
1,619,872	A	*	3/1927	Lasher et al.	76/105
1,981,696	A	*	11/1934	Harper	D11/193 X
D115,570	S	*	7/1939	Scrimgeour	D7/653
2,249,551	A	*	7/1941	Zohe	30/324
D161,224	S	*	12/1950	Wendling	D7/653
2,658,730	A	*	11/1953	Mignolet	416/70 R
2,799,086	A	*	7/1957	Tupper	30/142
3,266,144	A	*	8/1966	Fishlove	30/322
D216,733	S	*	3/1970	Levinson	D7/653
4,043,203	A	*	8/1977	Montesi	D10/46.2 X
D251,755	S	*	5/1979	Patience	D3/208
4,524,513	A	*	6/1985	Intini, Jr.	30/149
D346,534	S	*	5/1994	Cassarino	D7/656
D402,857	S	*	12/1998	Roberts	D7/653
D403,600	S	*	1/1999	Conforti et al.	D10/46.2
D413,048	S	*	8/1999	Wenk	D7/653

OTHER PUBLICATIONS

Cooper-Stratton Designs, #601 Measuring spoons, http://csd737.tripod.com/id25_m.htm, Earliest date this page appears on the internet is Mar. 4, 2001.*
PremiumKnives.com, Measuring Spoons #5317, http://209.35.185.42/ShopSite/Measuring_Spoons_Set_of_6.html. Earliest date page appears on internet Sep. 24, 2002.*
Sterling Flatware Rev. 2nd Ed. An Identification and Value Guide by Tere Hagan; ©1994; ISBN:0-9629105-1-1; pp. 14, 15, 166, 167, and 218; Patterns: Gerber, Swedish Classic, Mesa, Aurora, and Compton.*

* cited by examiner

Primary Examiner—Caron D. Veynar
(74) *Attorney, Agent, or Firm*—Conley Rose, P.C.

(57) **CLAIM**

The ornamental design for a baby utensil with charm, as shown and described.

DESCRIPTION

FIG. 1 is a perspective view of the top, end, and side of a utensil in accordance with my design;
FIG. 2 is a perspective view of the bottom end, and side thereof;
FIG. 3 is a top plan view thereof;
FIG. 4 is a side elevational view thereof, the opposing side being identical;
FIG. 5 is a bottom plan view thereof;
FIG. 6 is a rear elevational view thereof; and,
FIG. 7 is a front elevational view thereof.
The broken line illustration of a rounded end portion of a spoon in each of FIGS. 1-7 forms no part of the claimed design.

1 Claim, 2 Drawing Sheets

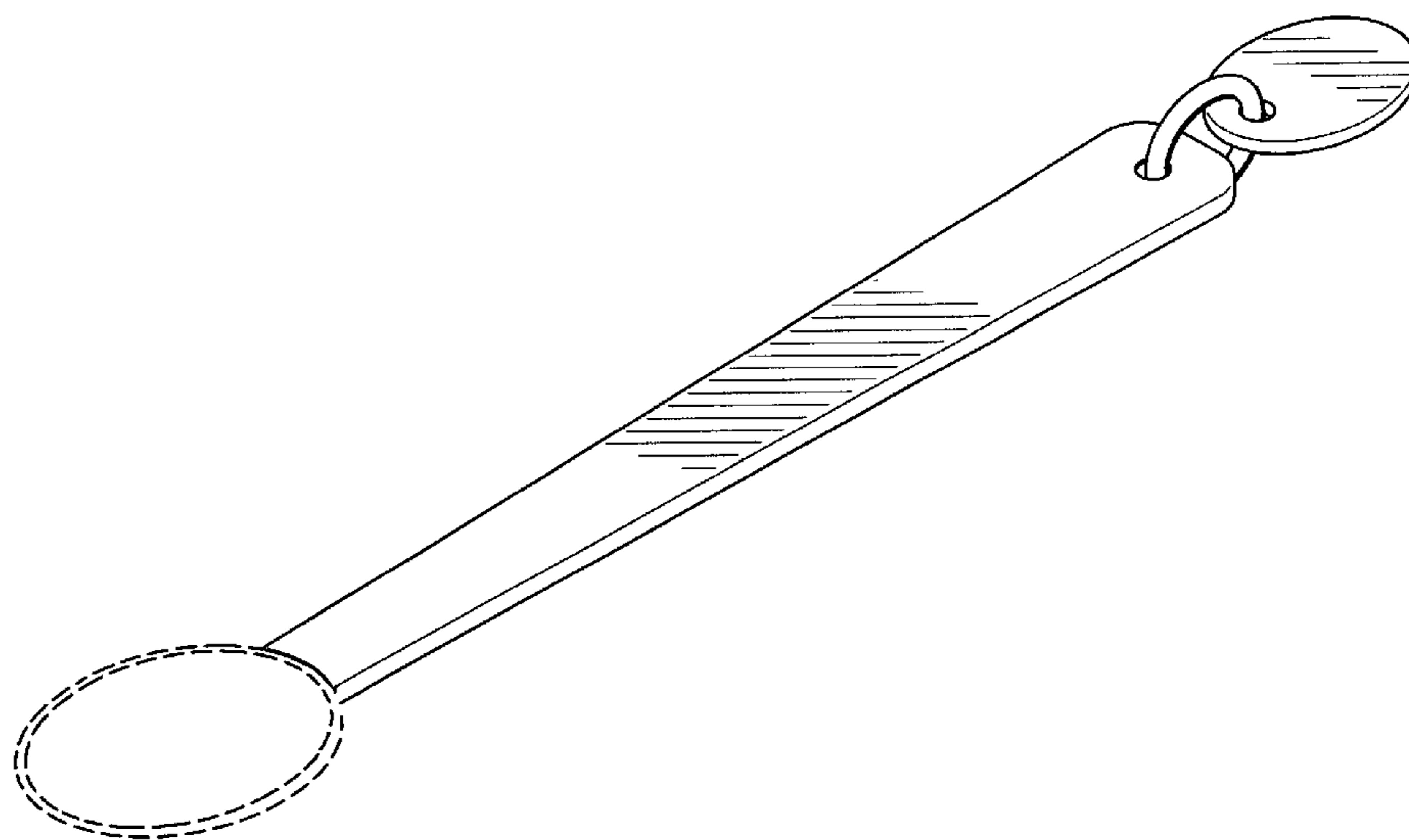


Fig. 1

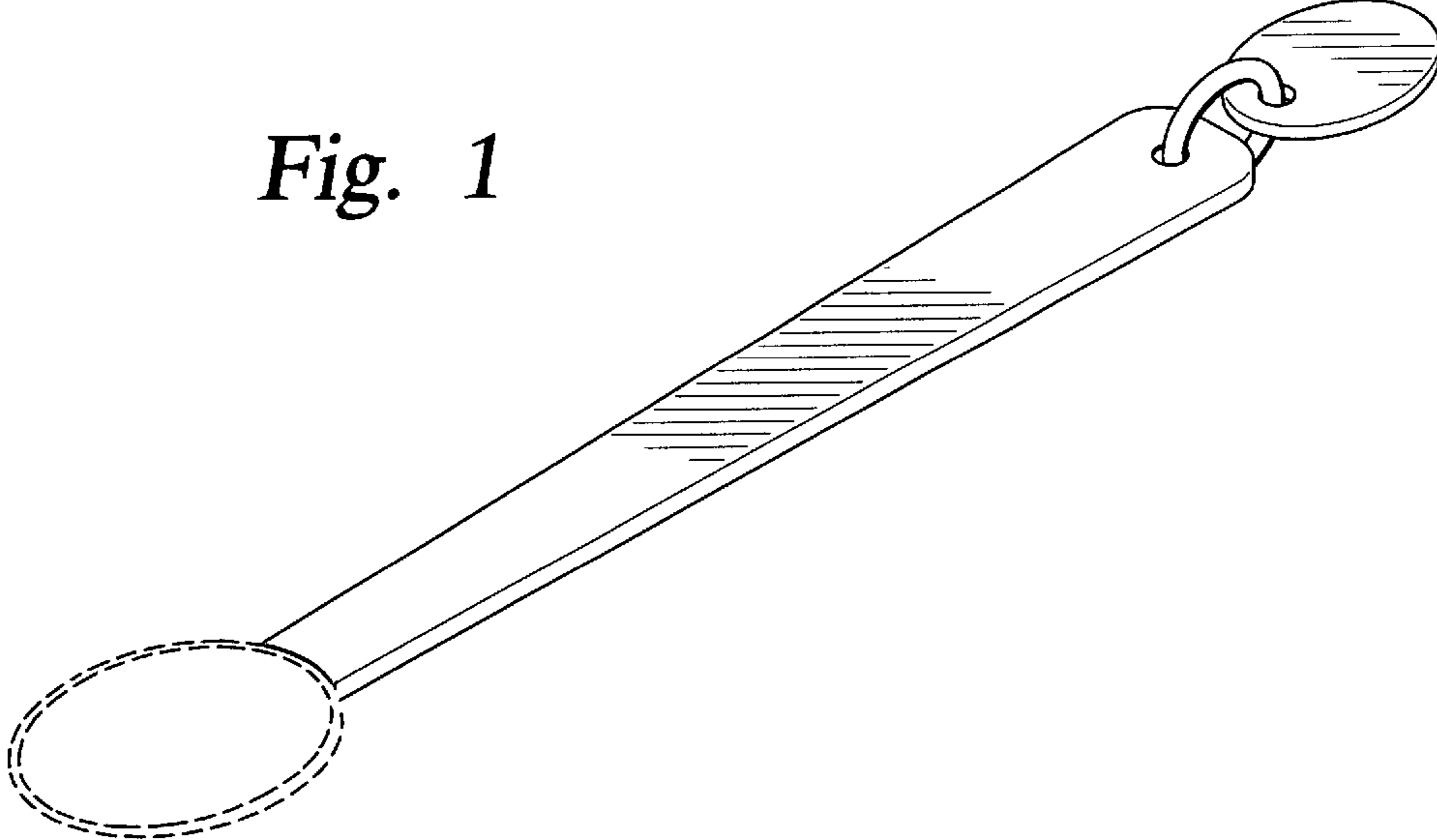
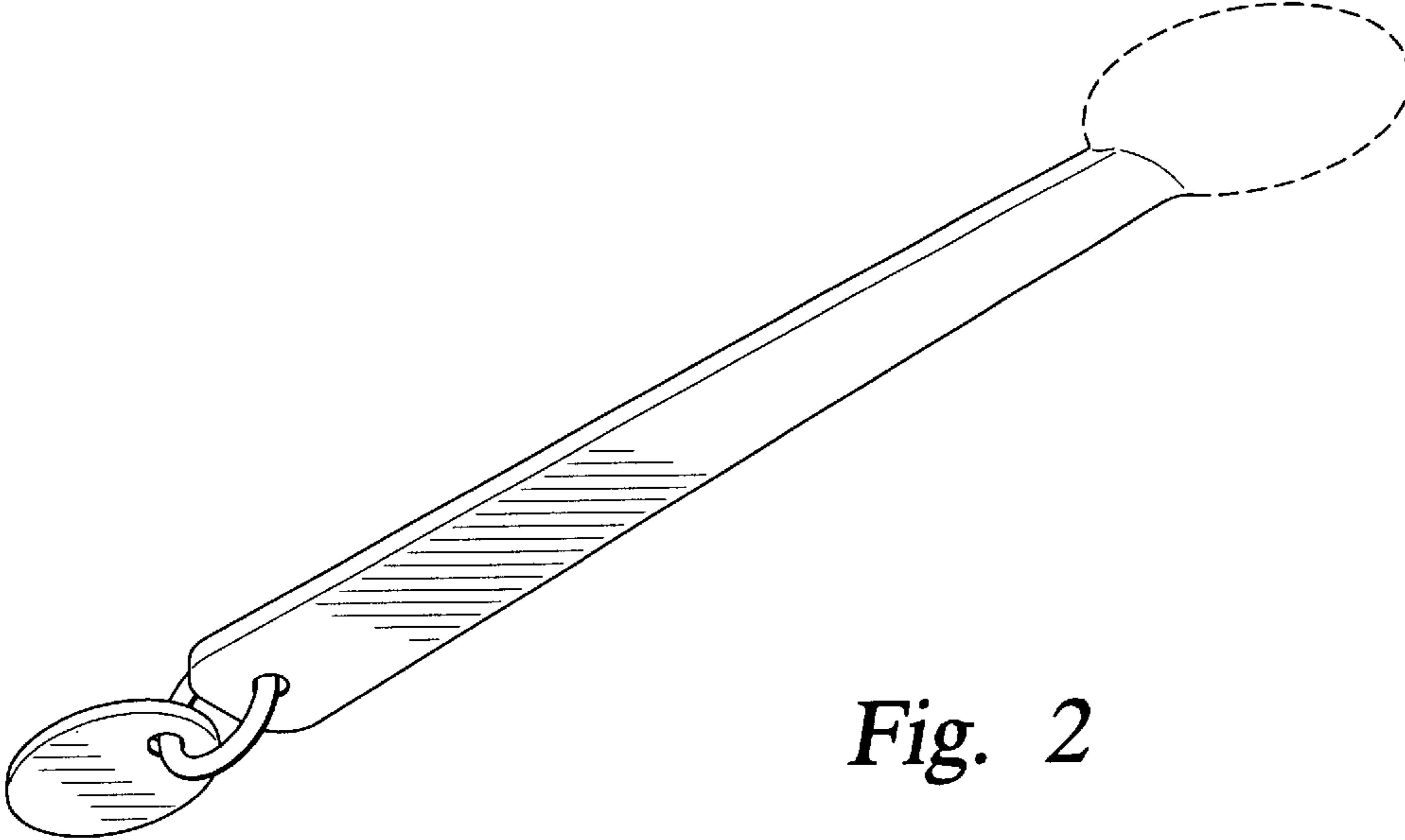


Fig. 2



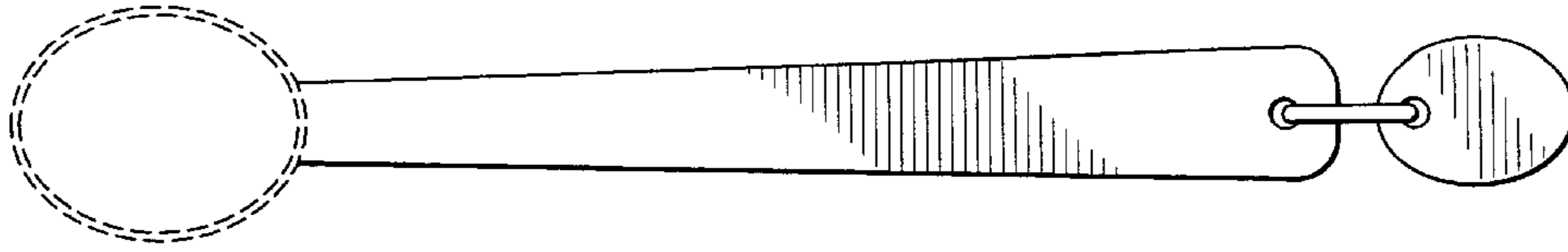


Fig. 3

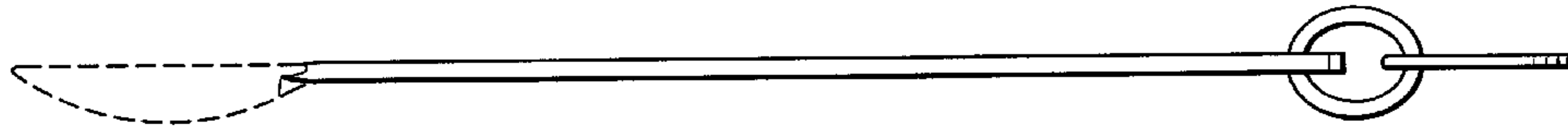


Fig. 4

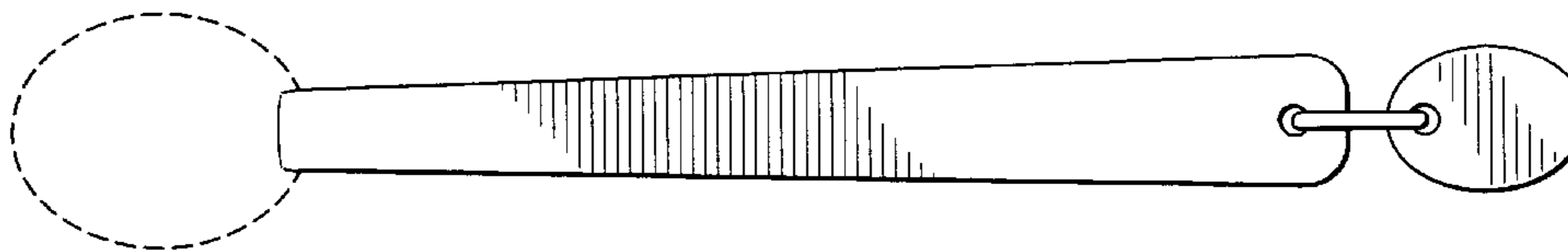


Fig. 5

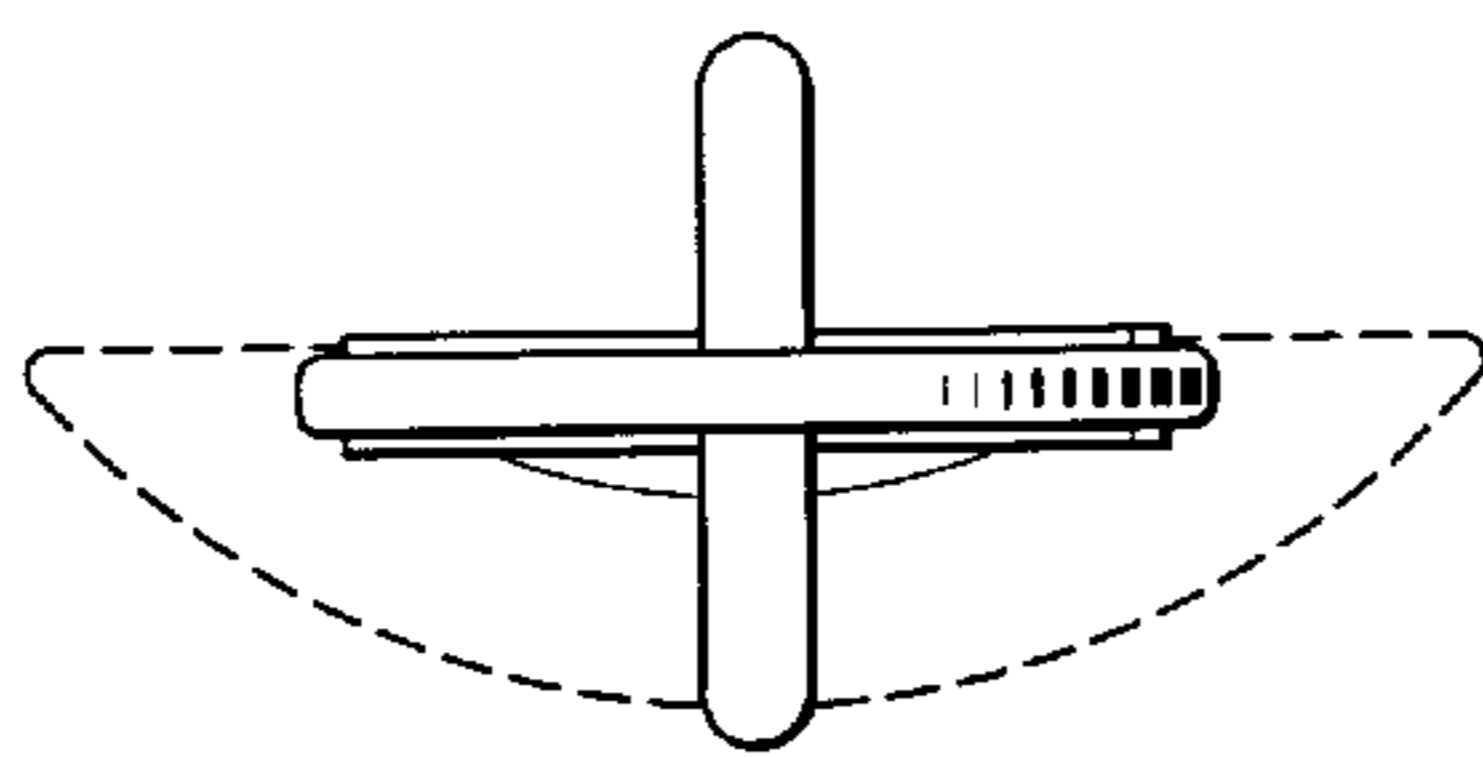


Fig. 6

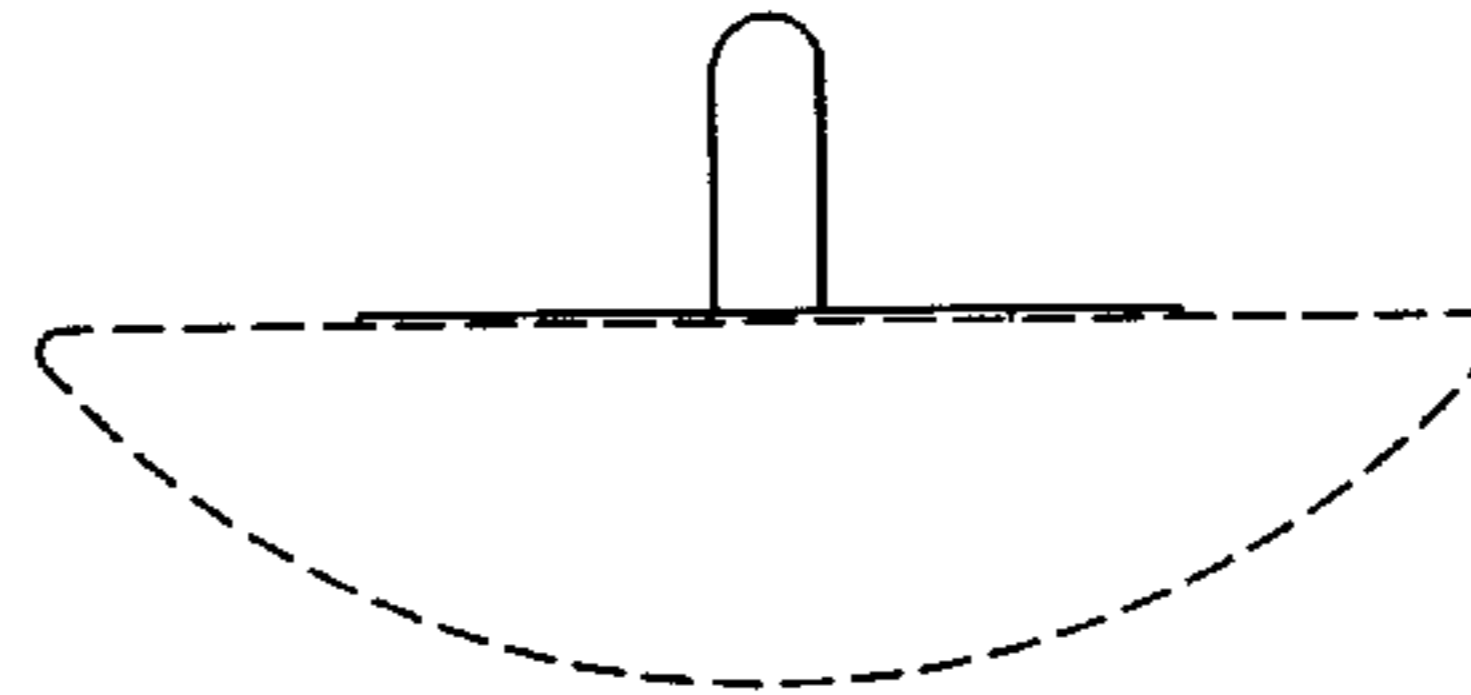


Fig. 7