



US00D513928S

(12) **United States Design Patent** (10) **Patent No.:** **US D513,928 S**  
**Birdsell et al.** (45) **Date of Patent:** **\*\* Jan. 31, 2006**

- (54) **WATER DISPENSER UNIVERSAL FILTRATION TANK**
- (75) Inventors: **Walter G. Birdsell**, Marlborough, MA (US); **Robert W. Monro, III**, Wilton, CT (US); **Brian J. Matt**, Wellesley, MA (US)
- (73) Assignee: **Kaz, Incorporated**, New York, NY (US)
- (\*\*) Term: **14 Years**
- (21) Appl. No.: **29/200,760**
- (22) Filed: **Mar. 2, 2004**
- (51) **LOC (8) Cl.** ..... **07-01**
- (52) **U.S. Cl.** ..... **D7/397; D7/313; D7/306**
- (58) **Field of Classification Search** ..... **D7/300, D7/398, 397, 307, 306, 308, 313, 603; D32/30; D6/542; D23/205, 202, 209, 212, 200; D9/557, D9/531, 536, 520, 524, 528, 500, 502, 516, D9/337; D34/39; 206/509; 222/465.1, 83.5, 222/185.1, 92, 466, 1, 386.5, 156; 220/628, 220/632, 669; 99/290; 194/317; 221/186; 141/346, 182, 327, 351, 1, 364; 210/264, 210/123, 767, 473, 85; 215/303, 383, 384, 215/398, 10, 382**
- See application file for complete search history.

(56) **References Cited**  
**U.S. PATENT DOCUMENTS**

4,805,808 A \* 2/1989 Larson ..... 222/185.1  
D303,496 S \* 9/1989 Larson ..... D9/520  
D307,389 S \* 4/1990 Larson ..... D9/520  
D308,794 S \* 6/1990 Larson ..... D7/307

D309,231 S \* 7/1990 Larson ..... D7/313  
5,413,152 A \* 5/1995 Burrows ..... 141/18  
D381,141 S \* 7/1997 Balz ..... D32/30  
D397,942 S \* 9/1998 Lewis ..... D9/531  
D405,004 S \* 2/1999 Mudra et al. .... D9/337  
D443,780 S \* 6/2001 Kauzlarich et al. .... D6/542  
6,832,705 B2 \* 12/2004 Hollander et al. .... 222/465.1  
2004/0040977 A1 \* 3/2004 Mathues ..... 222/1  
2004/0056053 A1 \* 3/2004 Hollander et al. .... 222/466

**OTHER PUBLICATIONS**

Sunbeam's Water Filtration System Model # J1000—Operating Instructions; 2003 Sunbeam Products, Inc.

\* cited by examiner

*Primary Examiner*—M. N. Pandozzi  
(74) *Attorney, Agent, or Firm*—Darby & Darby

(57) **CLAIM**

The ornamental design for a water dispenser universal filtration tank, as shown and described.

**DESCRIPTION**

FIG. 1 is a front perspective view of a water dispenser universal filtration tank, which illustrates in phantom lines a view of a cap valve;

FIG. 2 is a front plan view of the tank of FIG. 1;

FIG. 3 is a right side elevation view of the tank of FIG. 1;

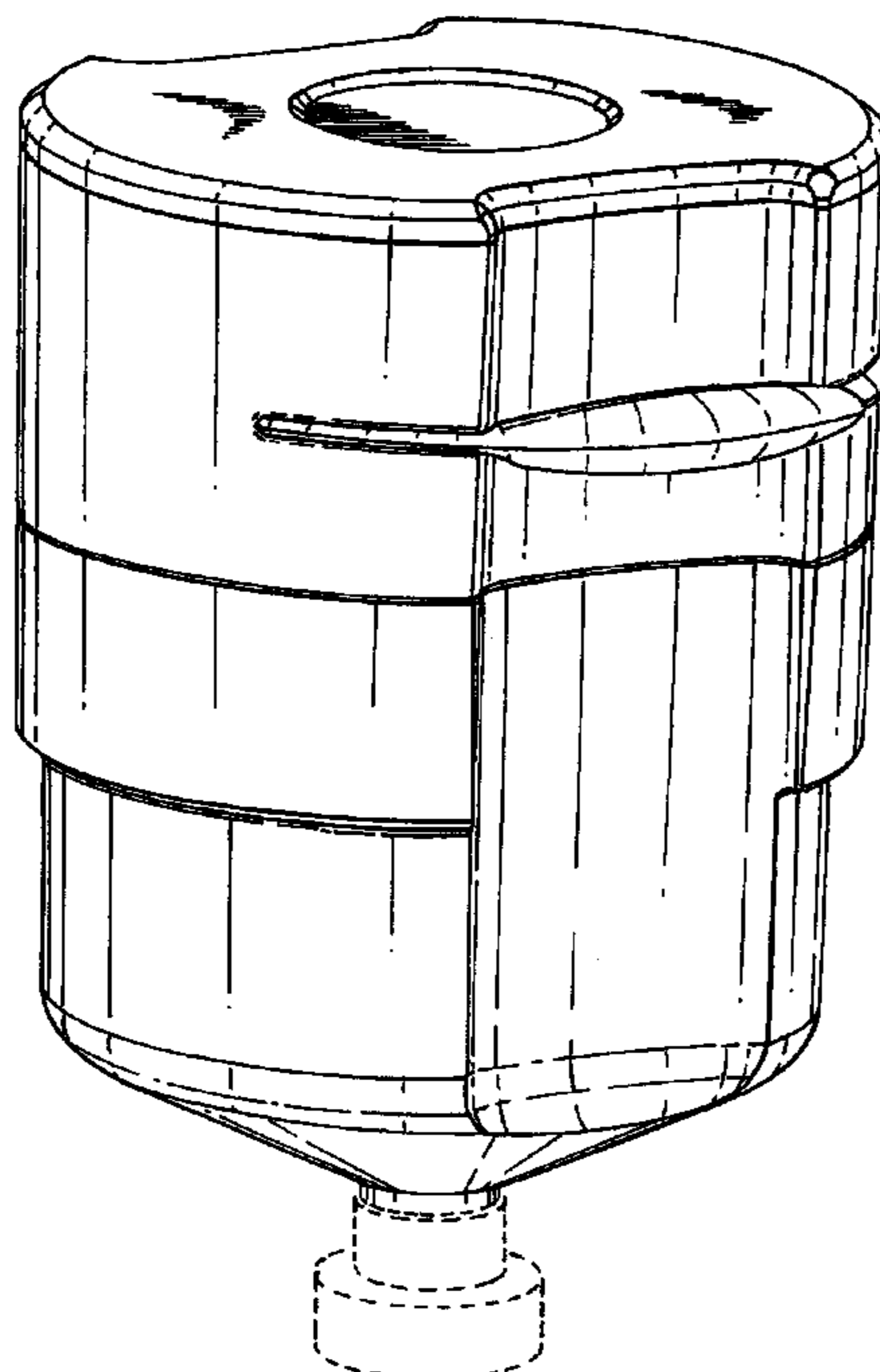
FIG. 4 is a top plan view of the tank of FIG. 1;

FIG. 5 is a bottom plan view of the tank of FIG. 1; and,

FIG. 6 is a front perspective view of the tank of FIG. 1, illustrating an exploded view of the component pieces comprising the tank.

The phantom lines showing a cap valve are for illustrative purposes only and form no part of the claimed design.

**1 Claim, 6 Drawing Sheets**



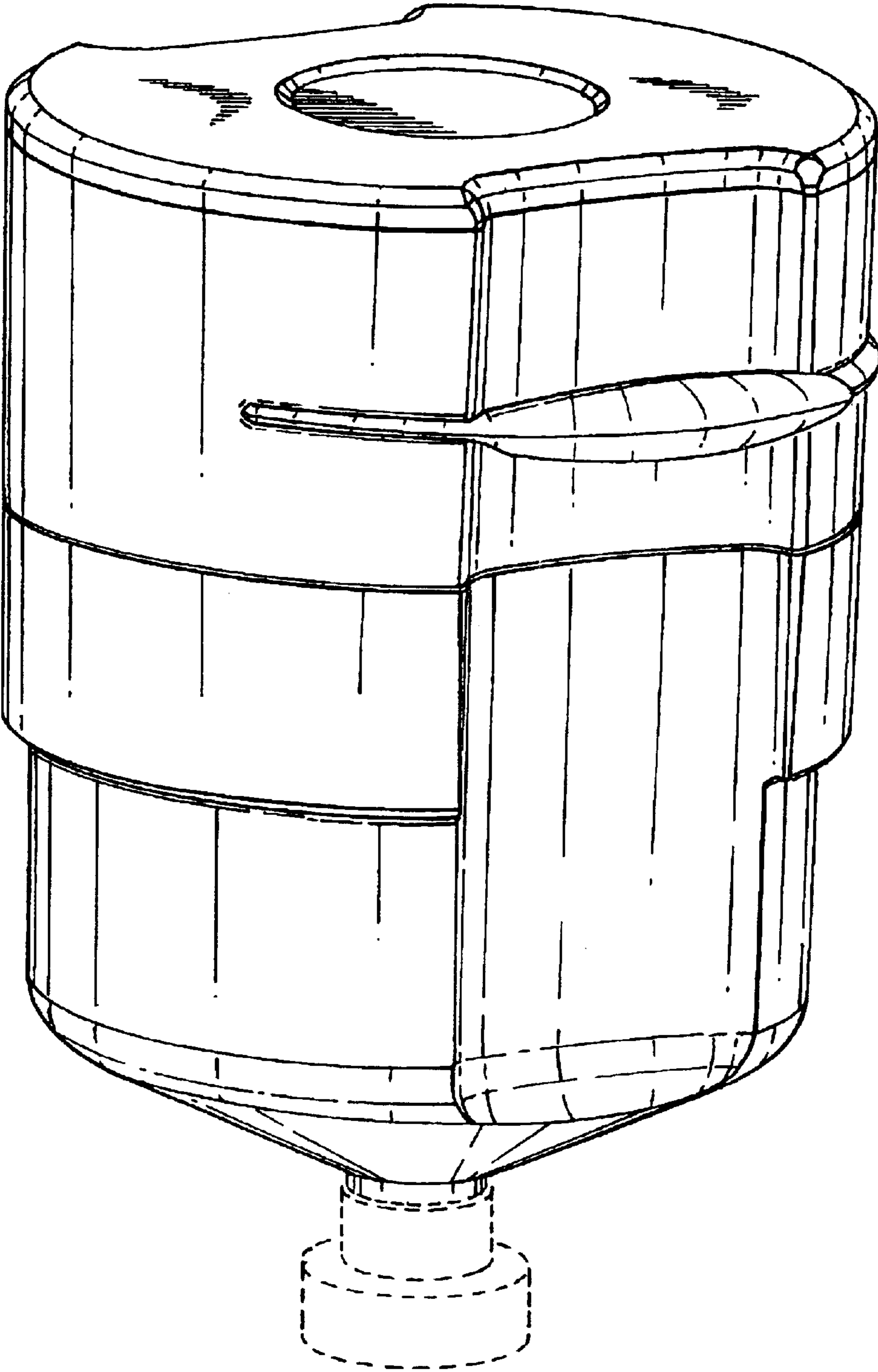
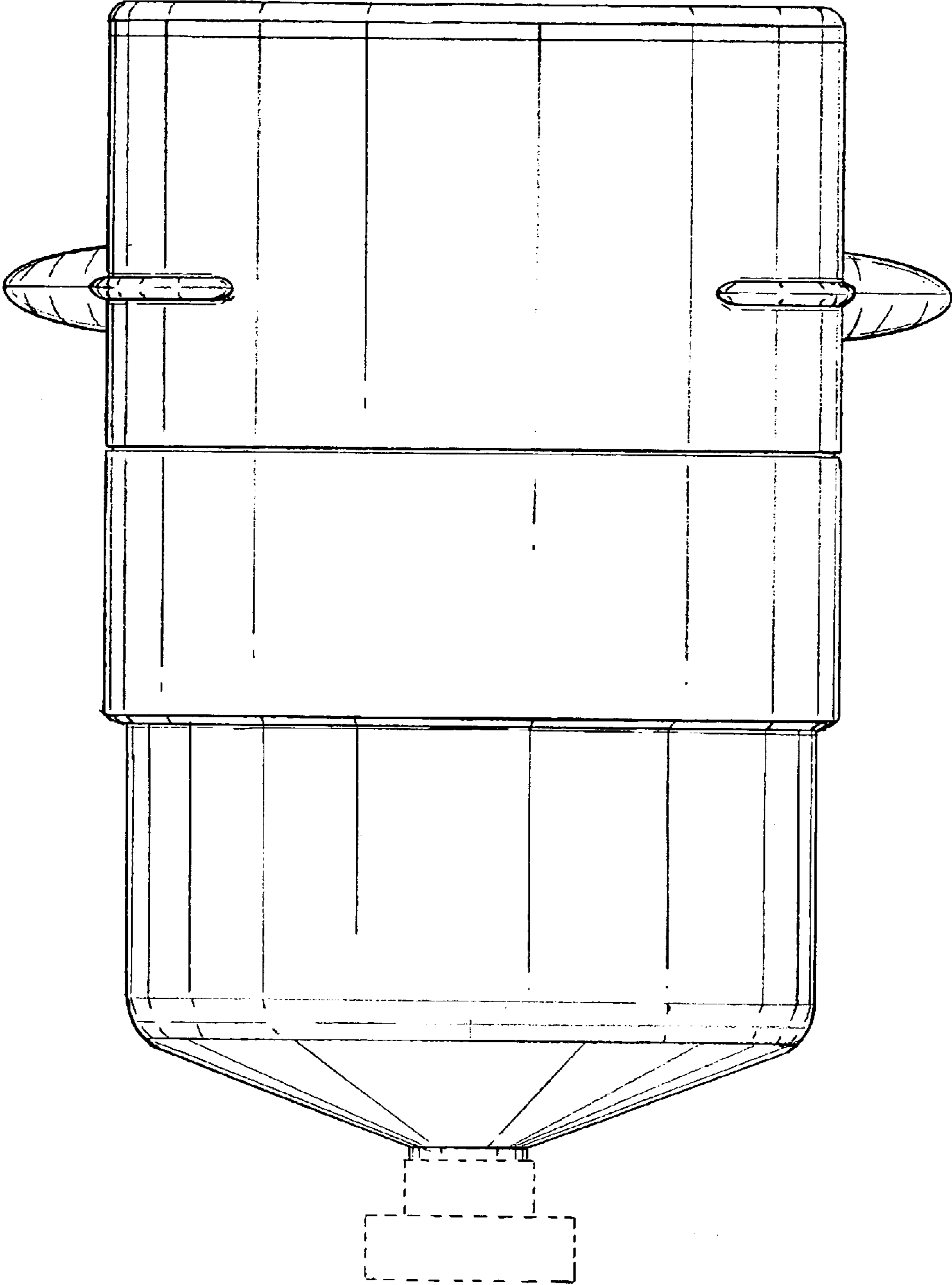
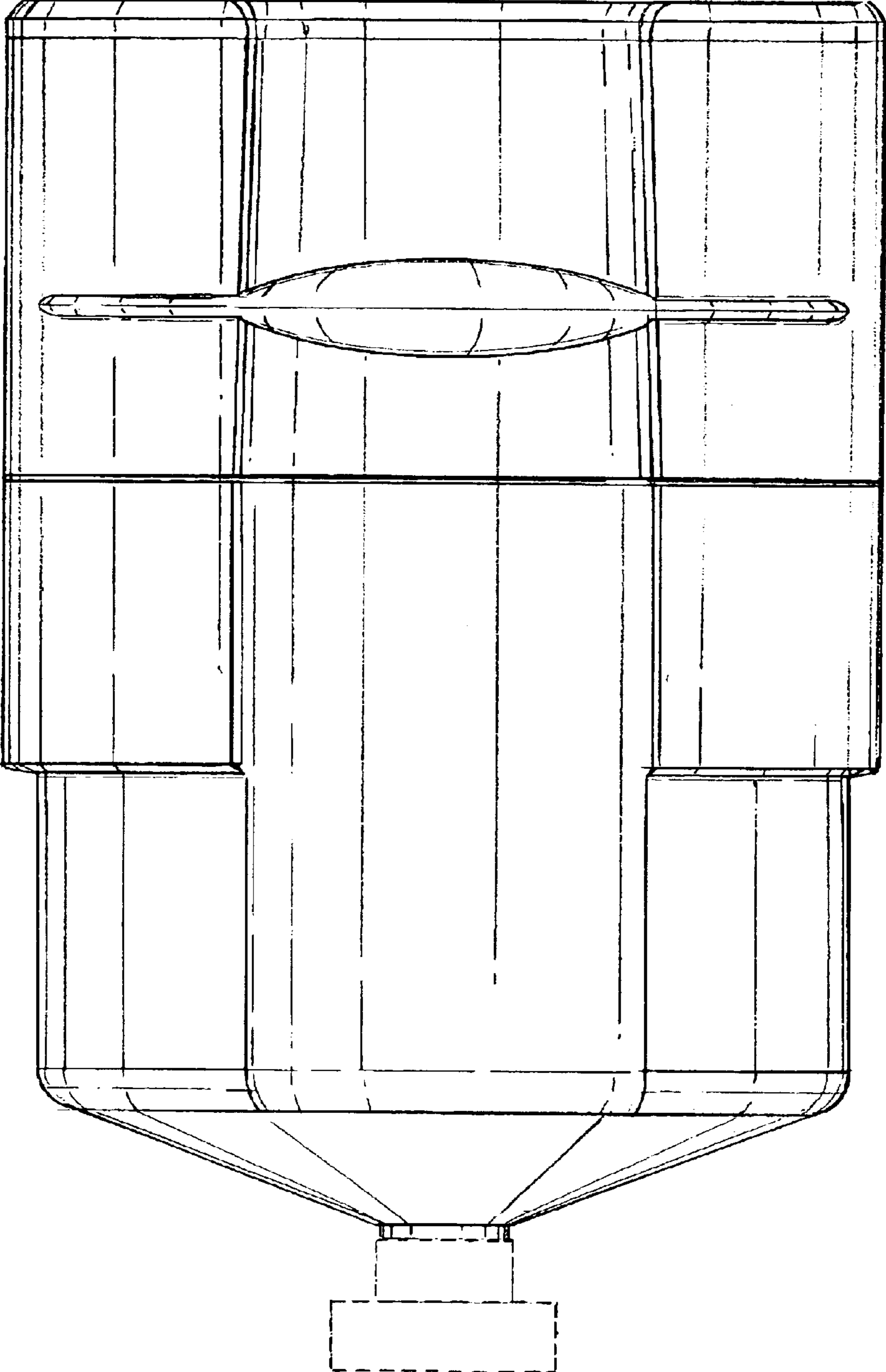


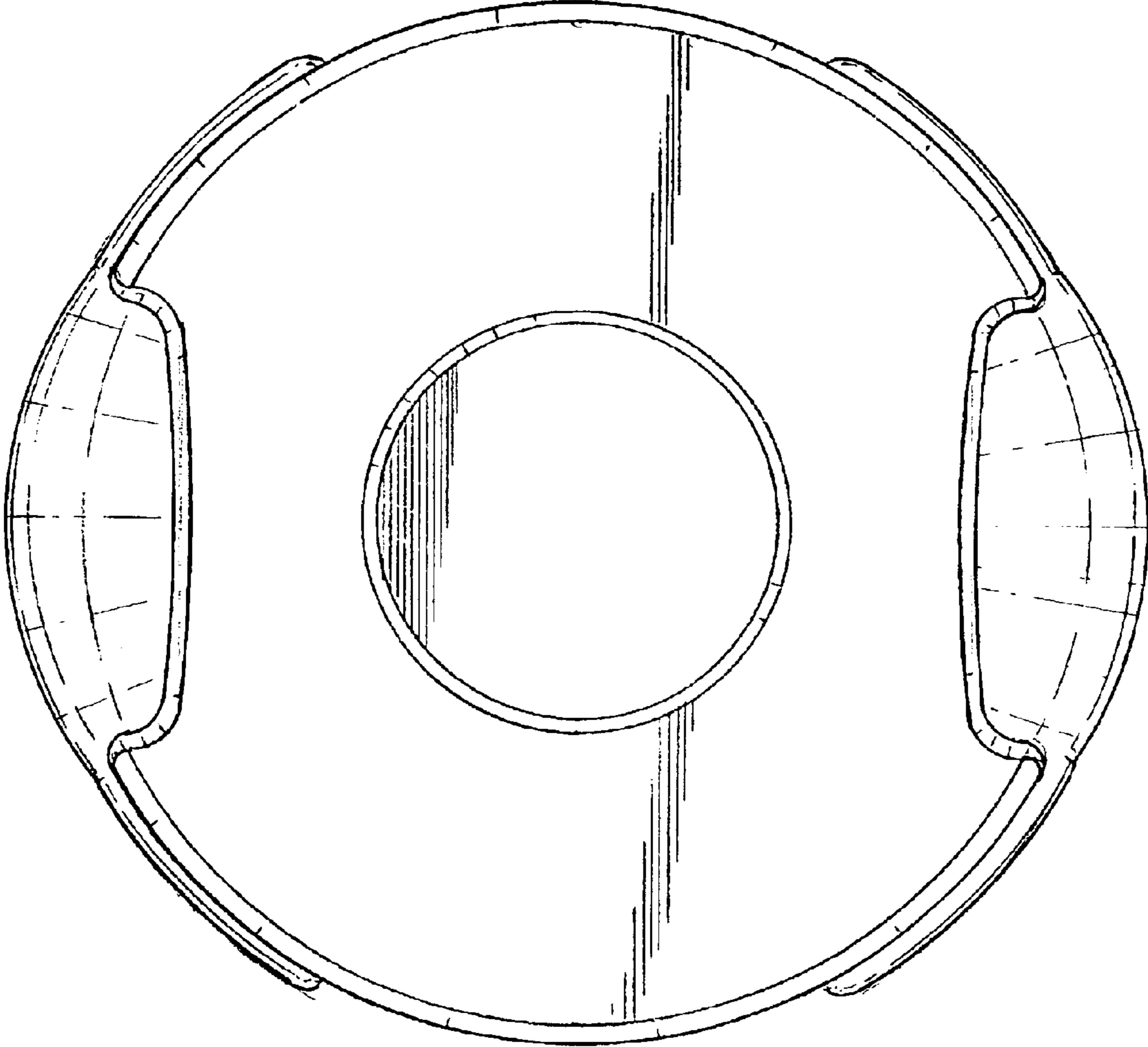
FIG. 1

**FIG. 2**



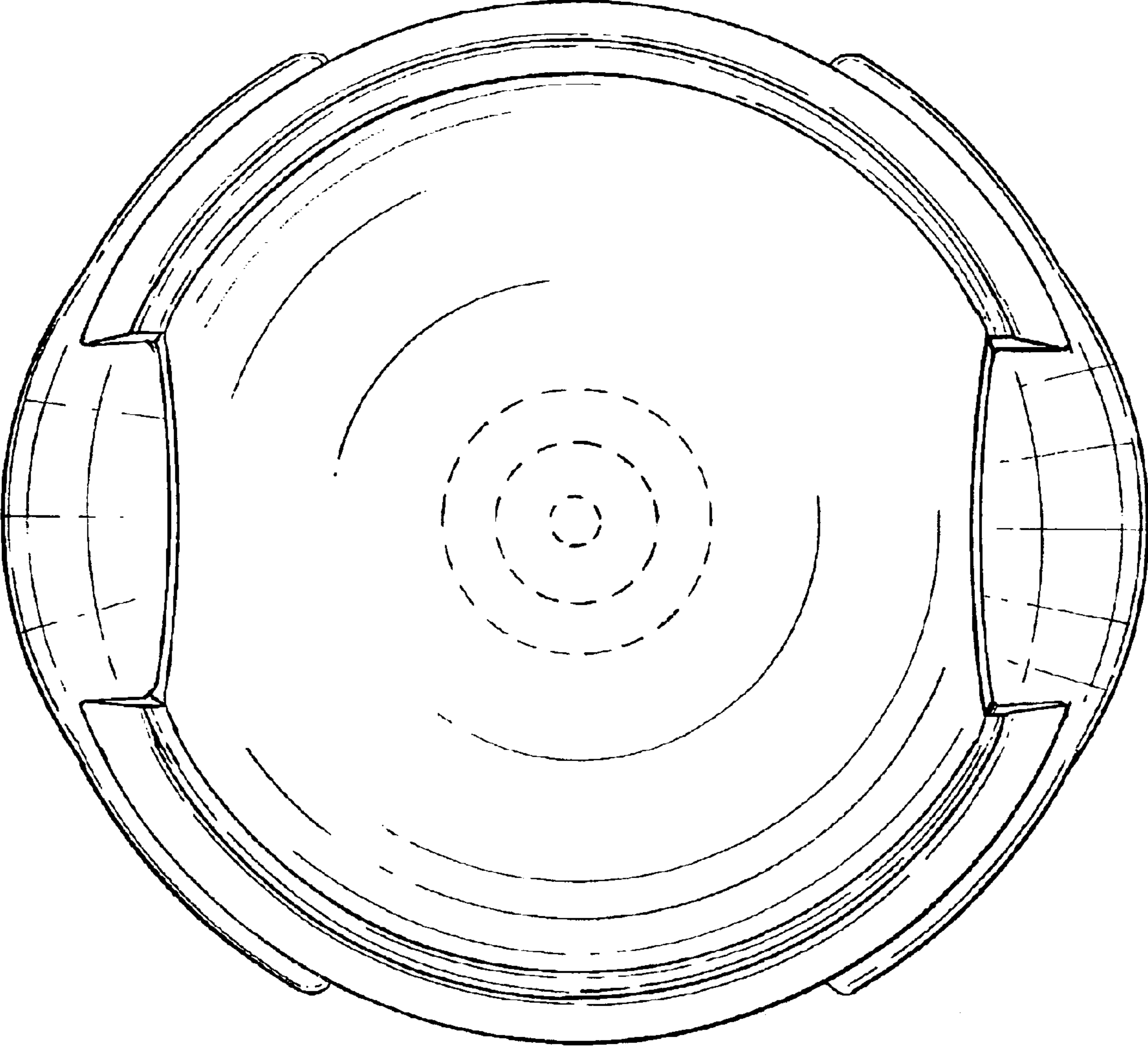
**FIG. 3**





**FIG. 4**





**FIG. 5**

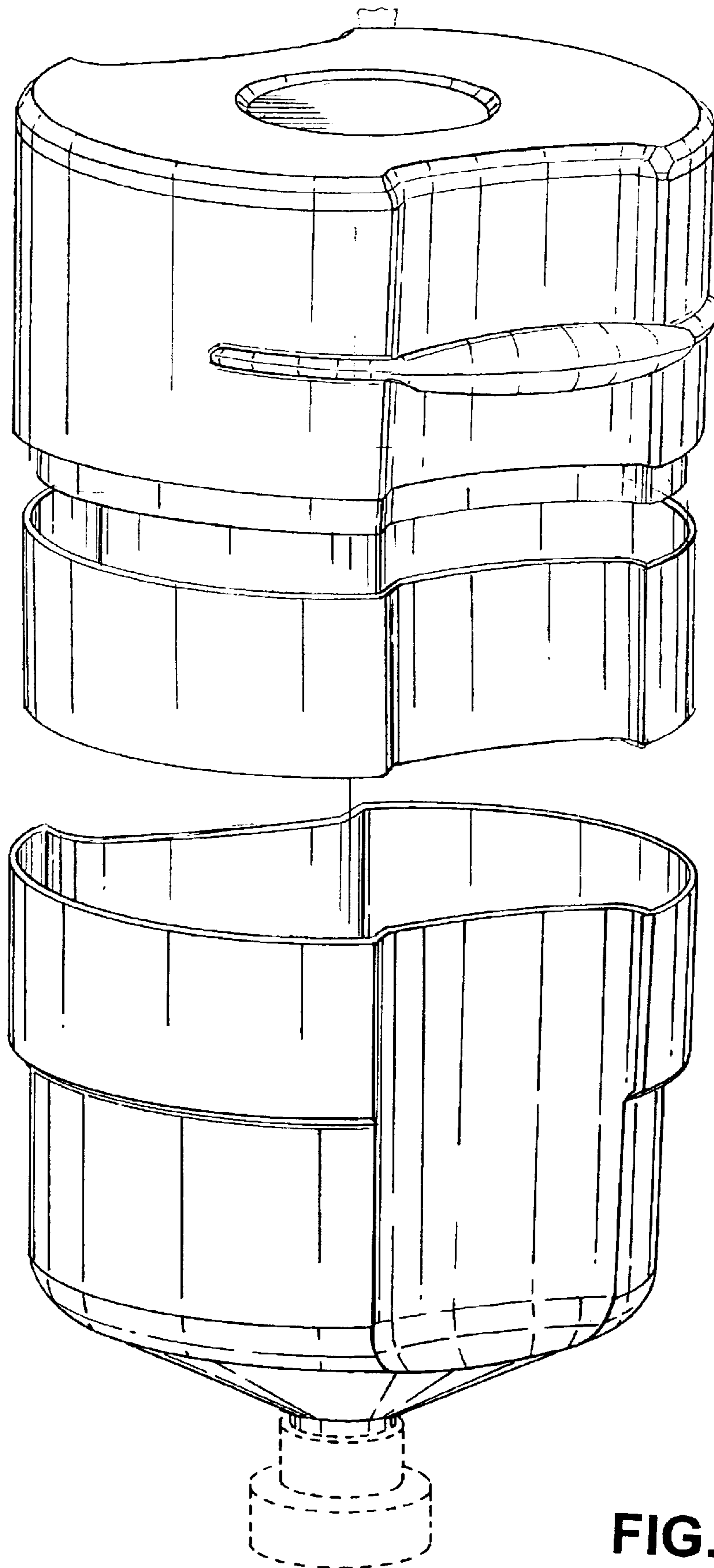


FIG. 6