



US00D513923S

(12) **United States Design Patent**
Krasne

(10) **Patent No.:** **US D513,923 S**
(45) **Date of Patent:** **** Jan. 31, 2006**

(54) **SLOW COOKER**

D431,155 S * 9/2000 Cragg D7/402
D466,360 S * 12/2002 Favela D7/334

(75) Inventor: **Mark T. Krasne**, Kansas City, MO
(US)

* cited by examiner

(73) Assignee: **Select Brands, Inc.**, Lenexa, KS (US)

Primary Examiner—Joel A. Sincavage

Assistant Examiner—Vy Nguyen

(**) Term: **14 Years**

(74) *Attorney, Agent, or Firm*—Hovey Williams Ltd.

(21) Appl. No.: **29/204,733**

(57) **CLAIM**

(22) Filed: **May 3, 2004**

The ornamental design for a slow cooker, as shown and described.

(51) **LOC (8) Cl.** **07-02**

DESCRIPTION

(52) **U.S. Cl.** **D7/354; D7/358**

(58) **Field of Classification Search** D7/323,
D7/332–337, 352, 354–361, 402–404, 515,
D7/901; 99/419, 421 R; 126/25 R, 25 A,
126/25 AA, 41 R, 29–30; D14/156; D16/227
See application file for complete search history.

FIG. 1 is a top, front perspective view of a slow cooker embodying my design in accordance with the present invention;

FIG. 2 is a bottom perspective view thereof;

FIG. 3 is a top plan view thereof;

FIG. 4 is a front elevational view thereof;

FIG. 5 is an end elevational view thereof;

FIG. 6 is an opposite end elevational view thereof;

FIG. 7 is a rear elevational view thereof; and,

FIG. 8 is a bottom plan view thereof.

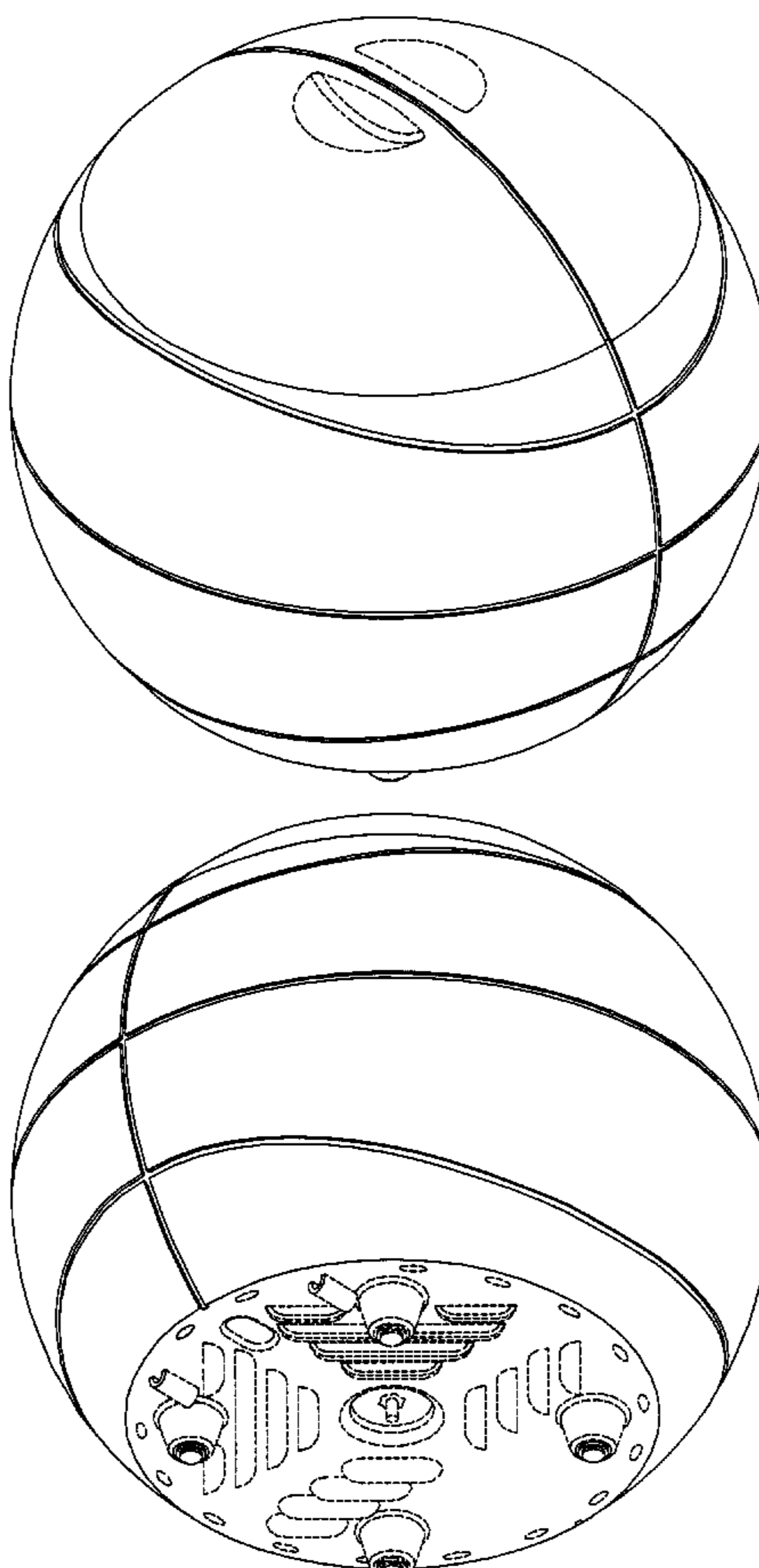
The broken line showing of structure is for illustrative purposes only and forms no part of the claimed design.

(56) **References Cited**

U.S. PATENT DOCUMENTS

- D330,284 S * 10/1992 Klien et al. D7/901
- D409,443 S * 5/1999 Clark et al. D7/515
- D413,598 S * 9/1999 Cheung D14/156
- D418,004 S * 12/1999 Taylor, Jr. D7/332
- D421,033 S * 2/2000 Shirley et al. D16/227

1 Claim, 4 Drawing Sheets



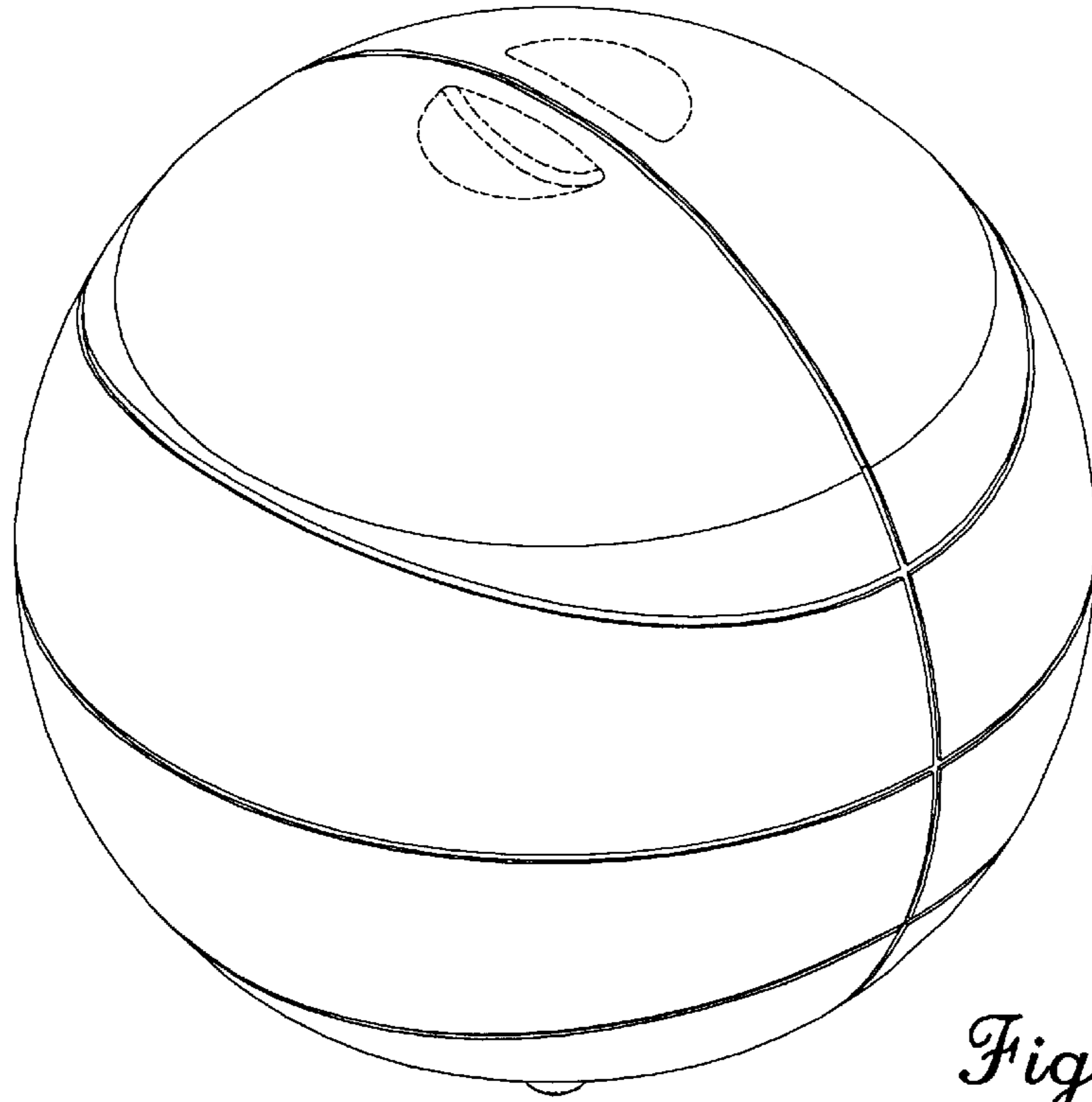


Fig. 1.

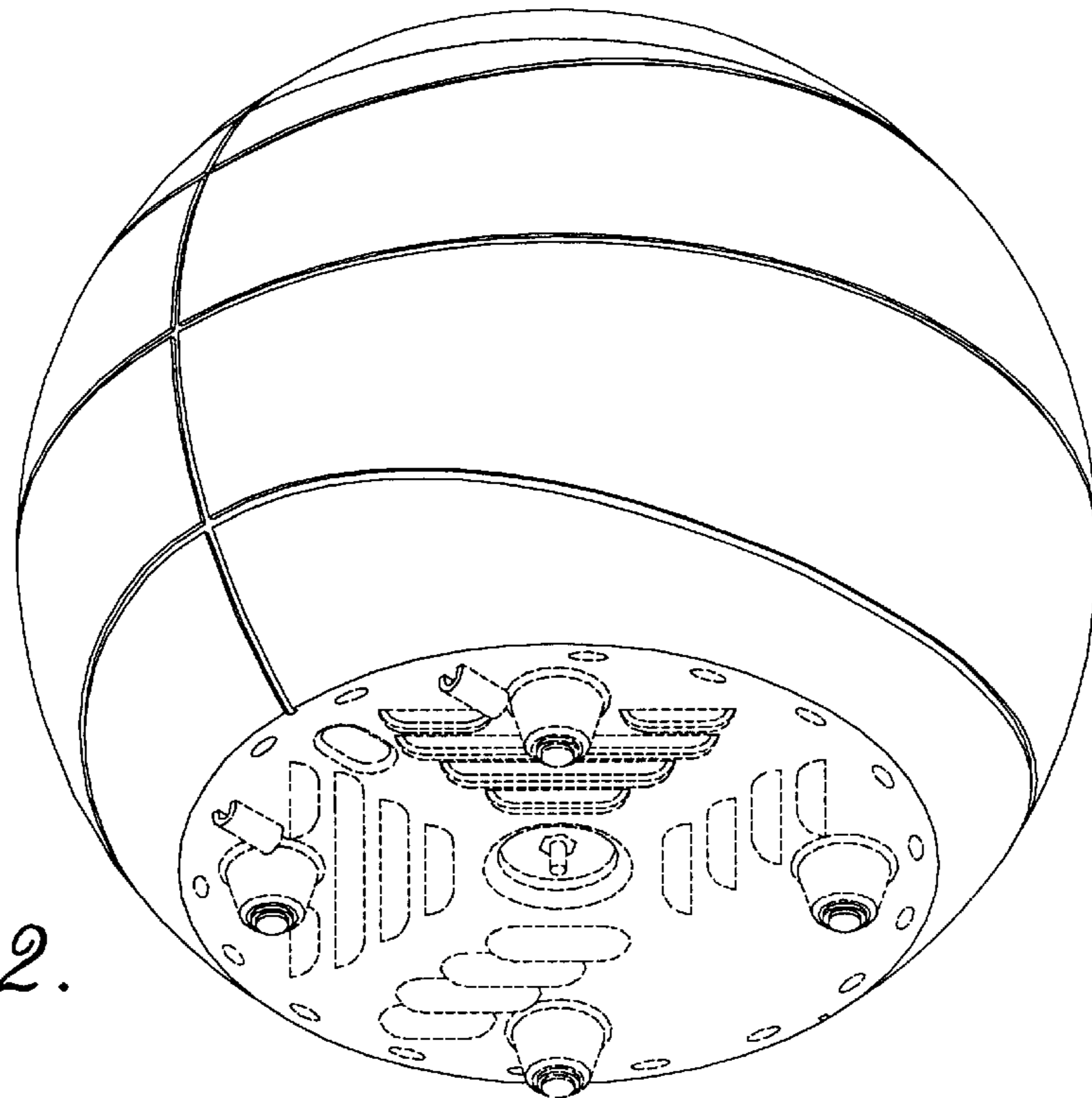


Fig. 2.

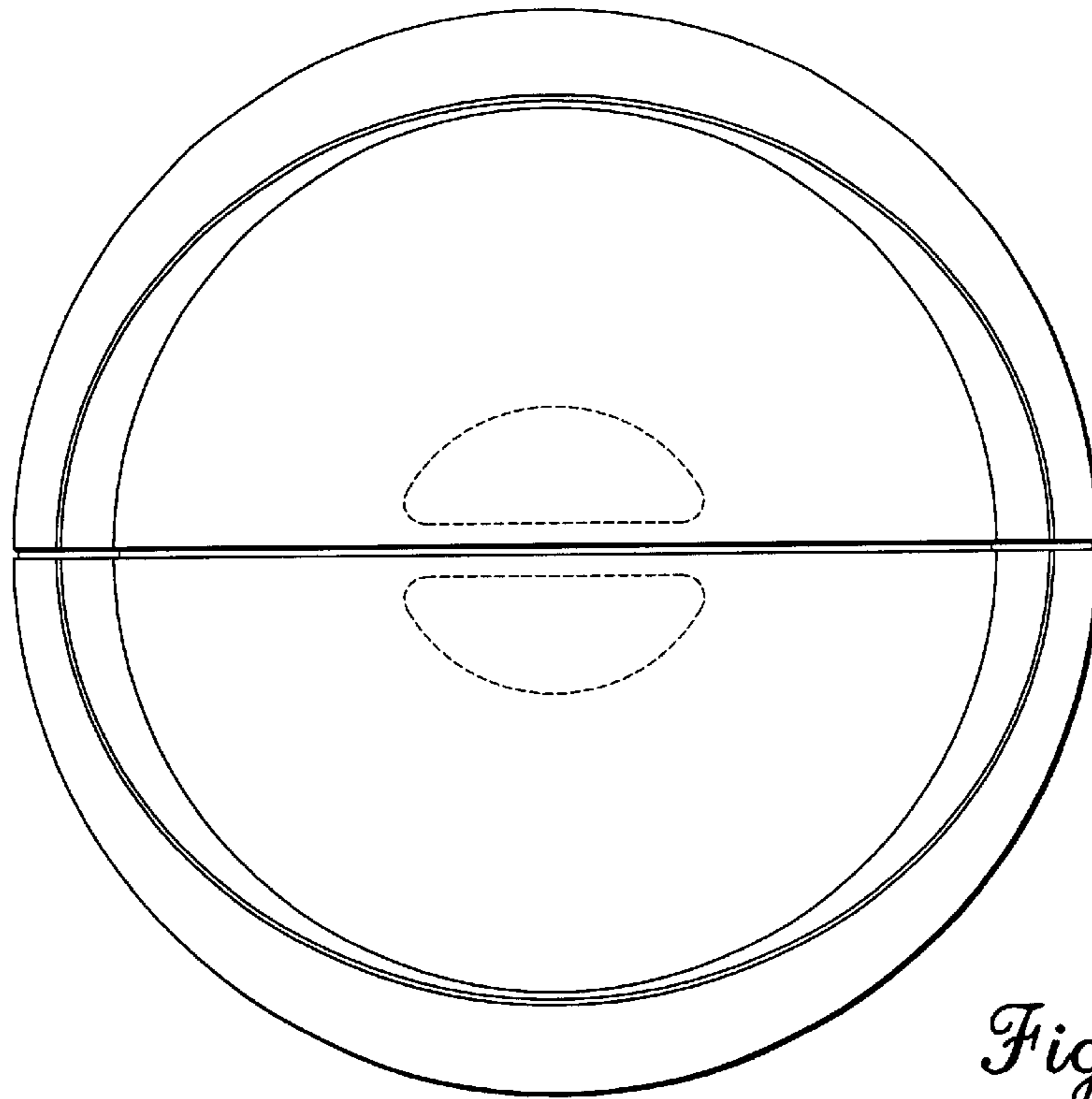


Fig. 3.

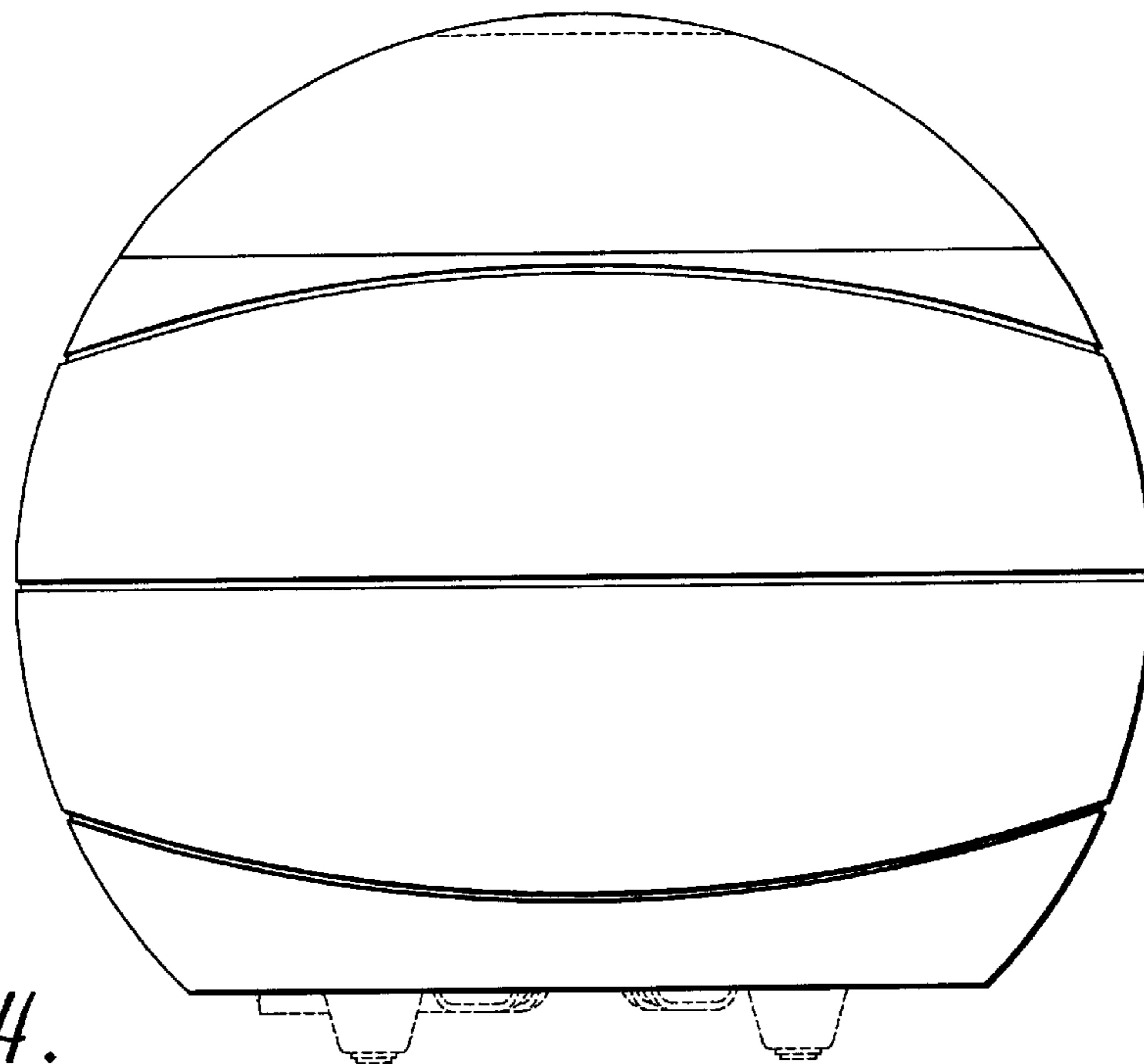


Fig. 4.

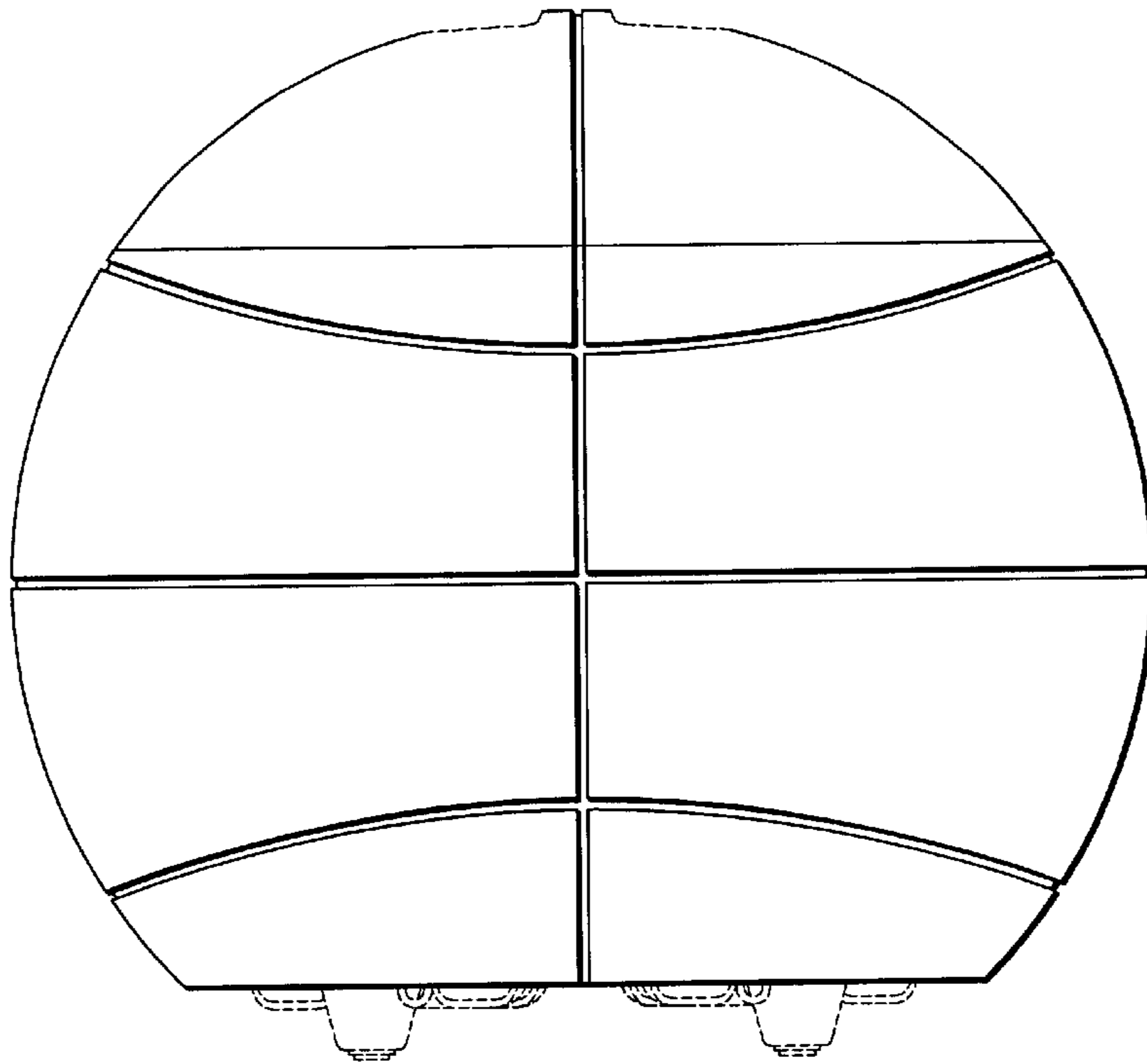


Fig. 5.

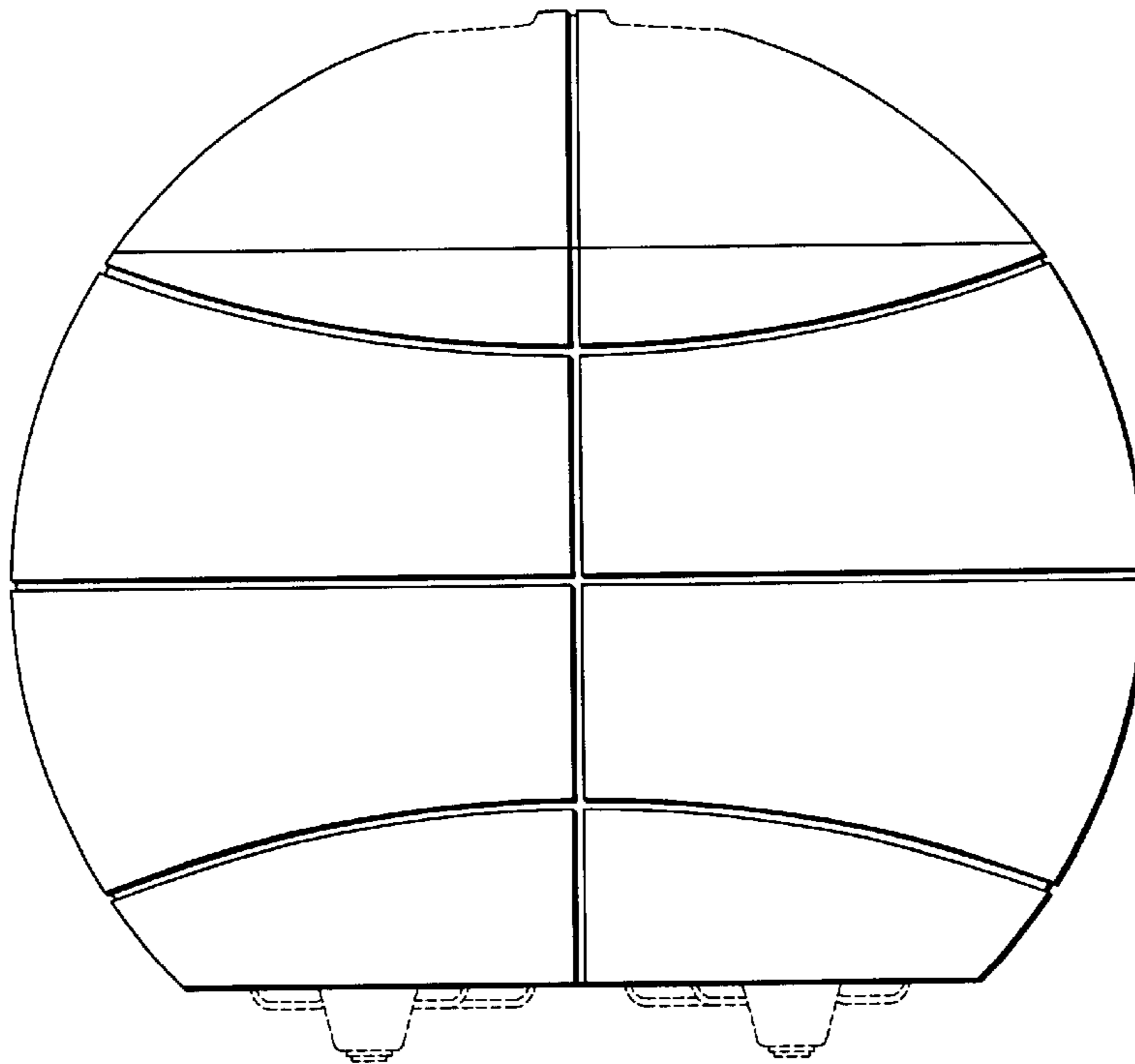


Fig. 6.

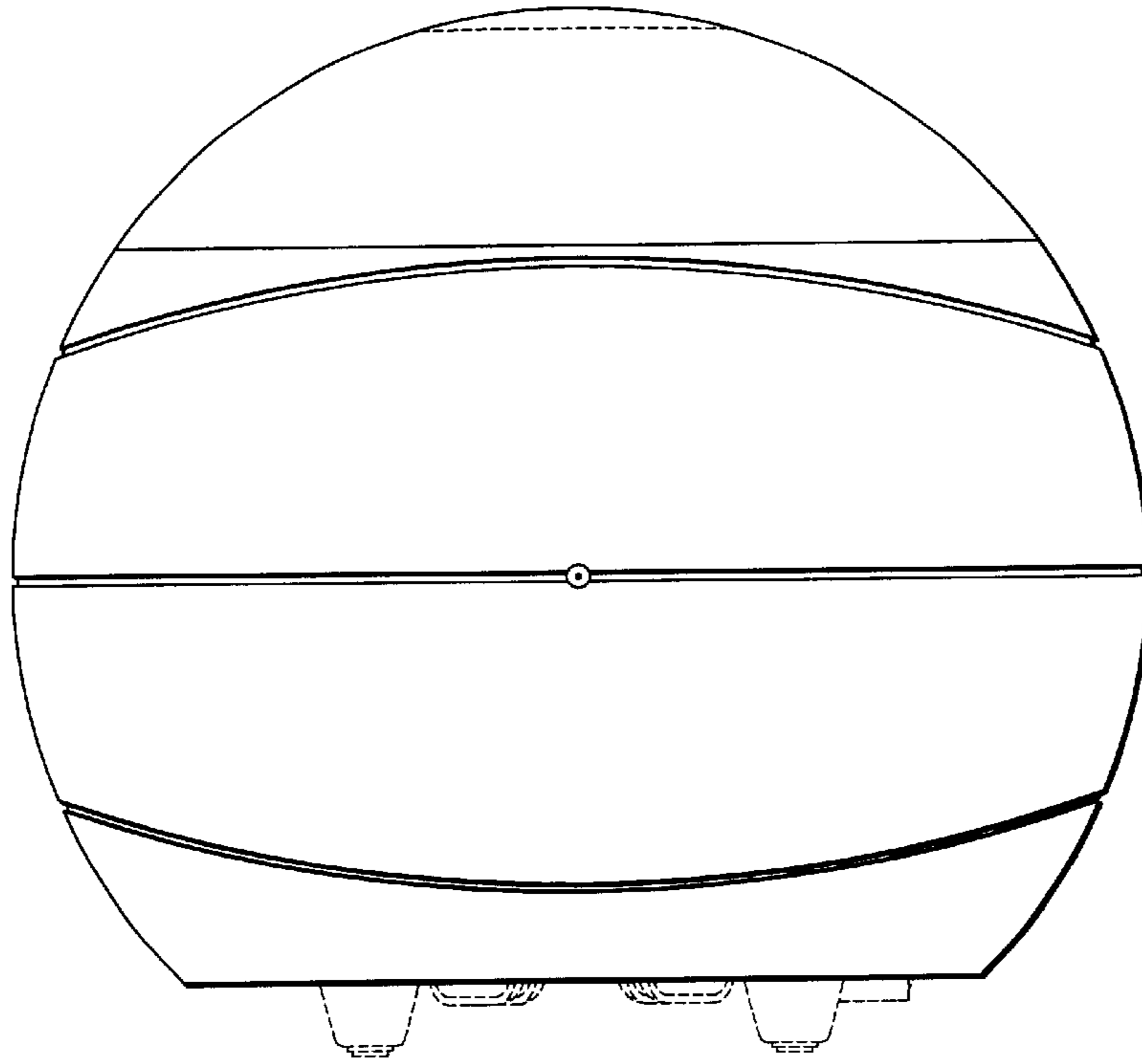


Fig. 7.

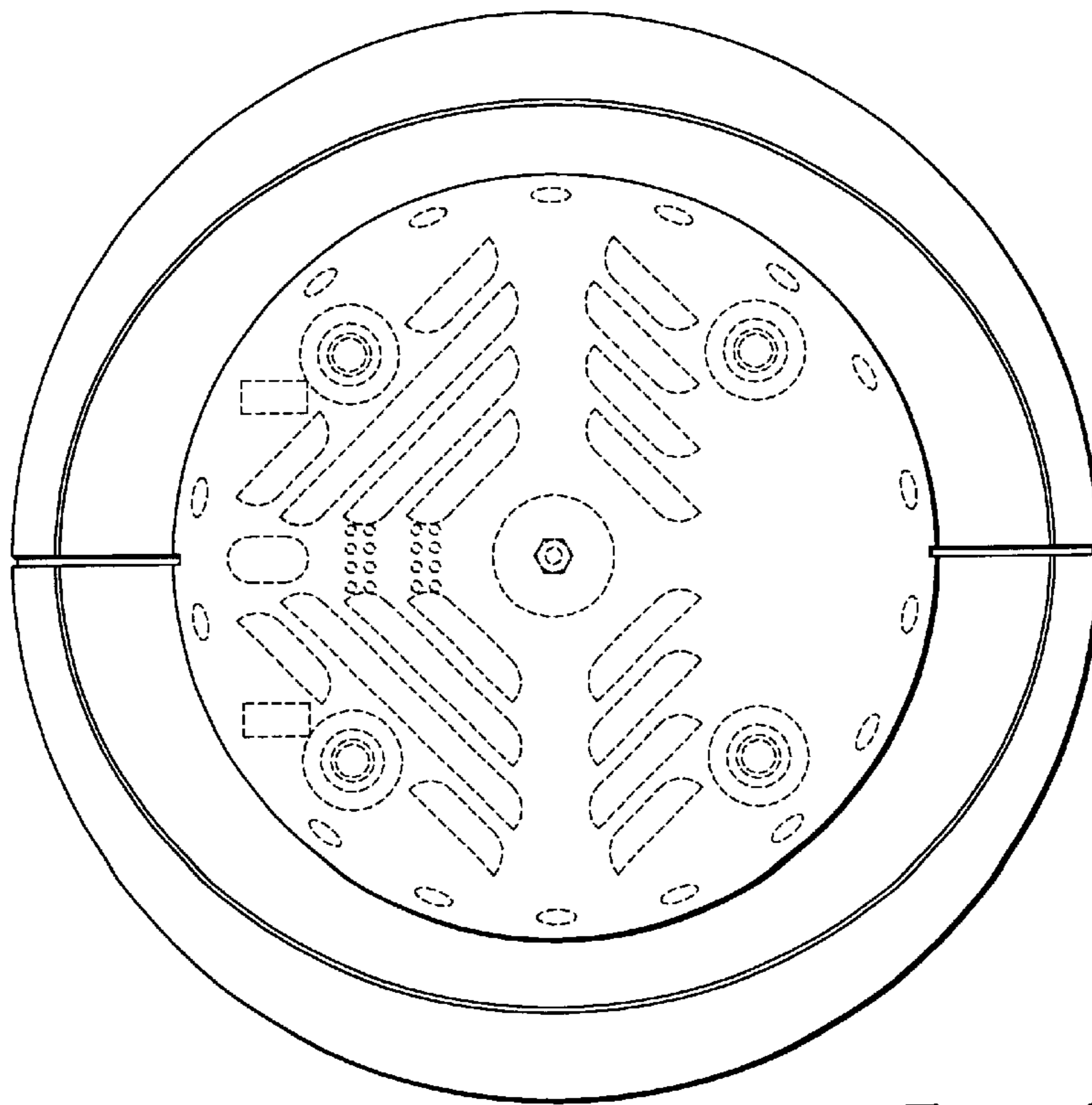


Fig. 8.